



US00D408639S

# United States Patent [19] Noll

[11] **Patent Number: Des. 408,639**

[45] **Date of Patent: \*\*Apr. 27, 1999**

[54] **FRAME SUPPORTED SWING**

[76] Inventor: **Ronald C. Noll**, 20749 University Blvd., Shaker Heights, Ohio 44122

[\*\*] Term: **14 Years**

[21] Appl. No.: **29/086,575**

[22] Filed: **Apr. 15, 1998**

[51] **LOC (6) Cl. .... 06-01**

[52] **U.S. Cl. .... D6/347**

[58] **Field of Search** ..... D6/334, 335, 336,  
D6/344, 346, 347, 370, 500, 501, 502;  
D21/823, 825; 248/370; 297/273, 277;  
472/118, 122, 125

[56] **References Cited**

**U.S. PATENT DOCUMENTS**

D. 67,482	6/1925	Wurdack	.....	D6/347
D. 80,736	3/1930	Lehman	.....	D6/347
D. 103,549	3/1937	Janes	.....	D6/370
D. 118,019	12/1939	Larsen	.....	D6/370
D. 135,694	5/1943	Smith	.....	D6/347
D. 270,500	9/1983	Harper, Jr. et al.	.....	D6/344

D. 399,064	10/1998	Noll	.....	D6/344
D. 399,065	10/1998	Noll	.....	D6/344
D. 399,071	10/1998	Noll	.....	D6/370

*Primary Examiner*—Gary D. Watson  
*Attorney, Agent, or Firm*—Pearne, Gordon, McCoy & Granger LLP

[57] **CLAIM**

The ornamental design for a frame supported swing, as shown and described.

**DESCRIPTION**

FIG. 1 is a front perspective view of a frame supported swing, showing my new design.

FIG. 2 is a top plan view thereof.

FIG. 3 is a front elevational view thereof.

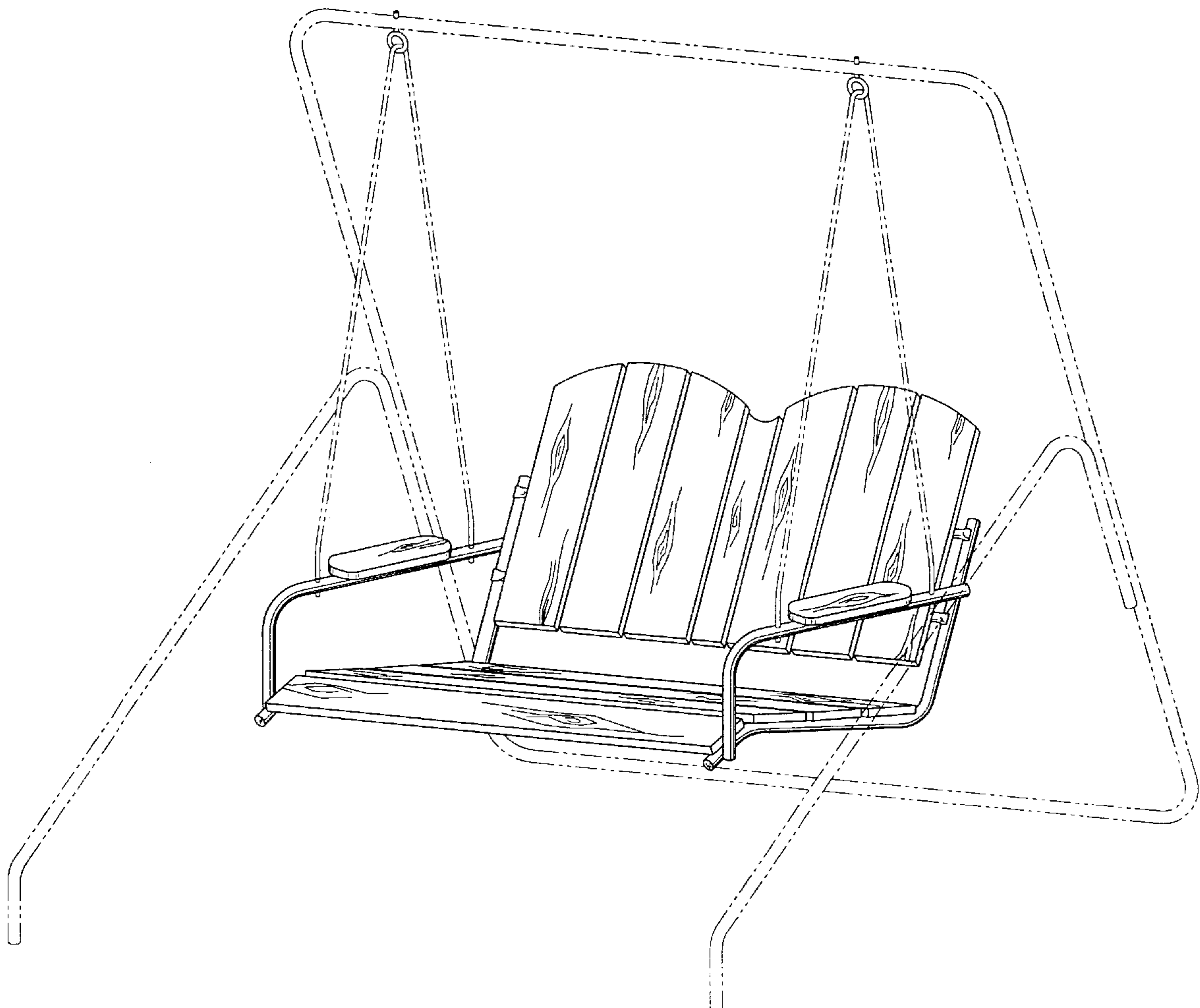
FIG. 4 is a right side view thereof, the left side view thereof being identical;

FIG. 5 is a rear elevational view thereof; and,

FIG. 6 is a bottom plan view thereof.

The broken lines shown in all views are for environmental purposes only and form no part of the claimed design.

**1 Claim, 6 Drawing Sheets**



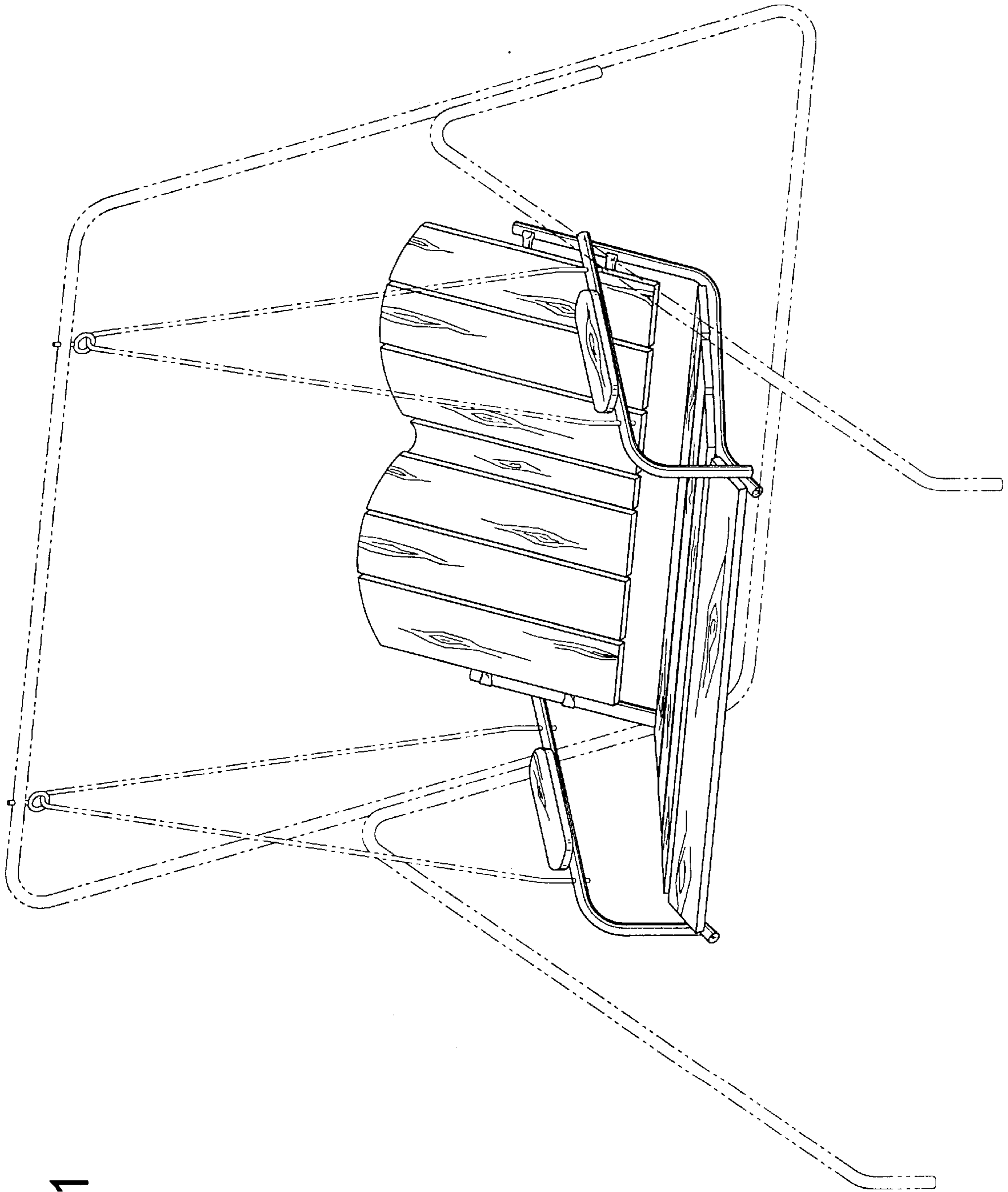


Fig. 1

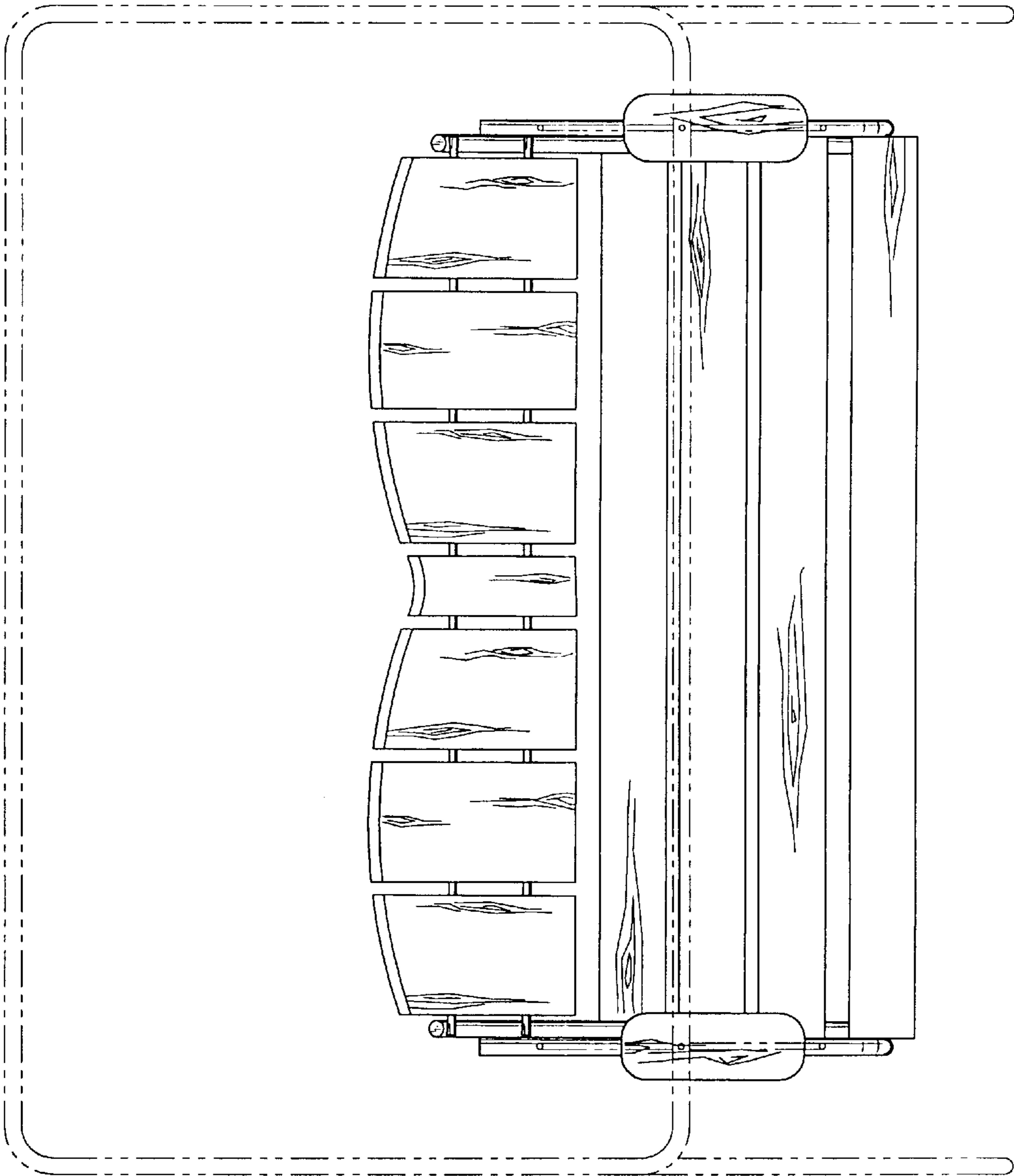


Fig.2

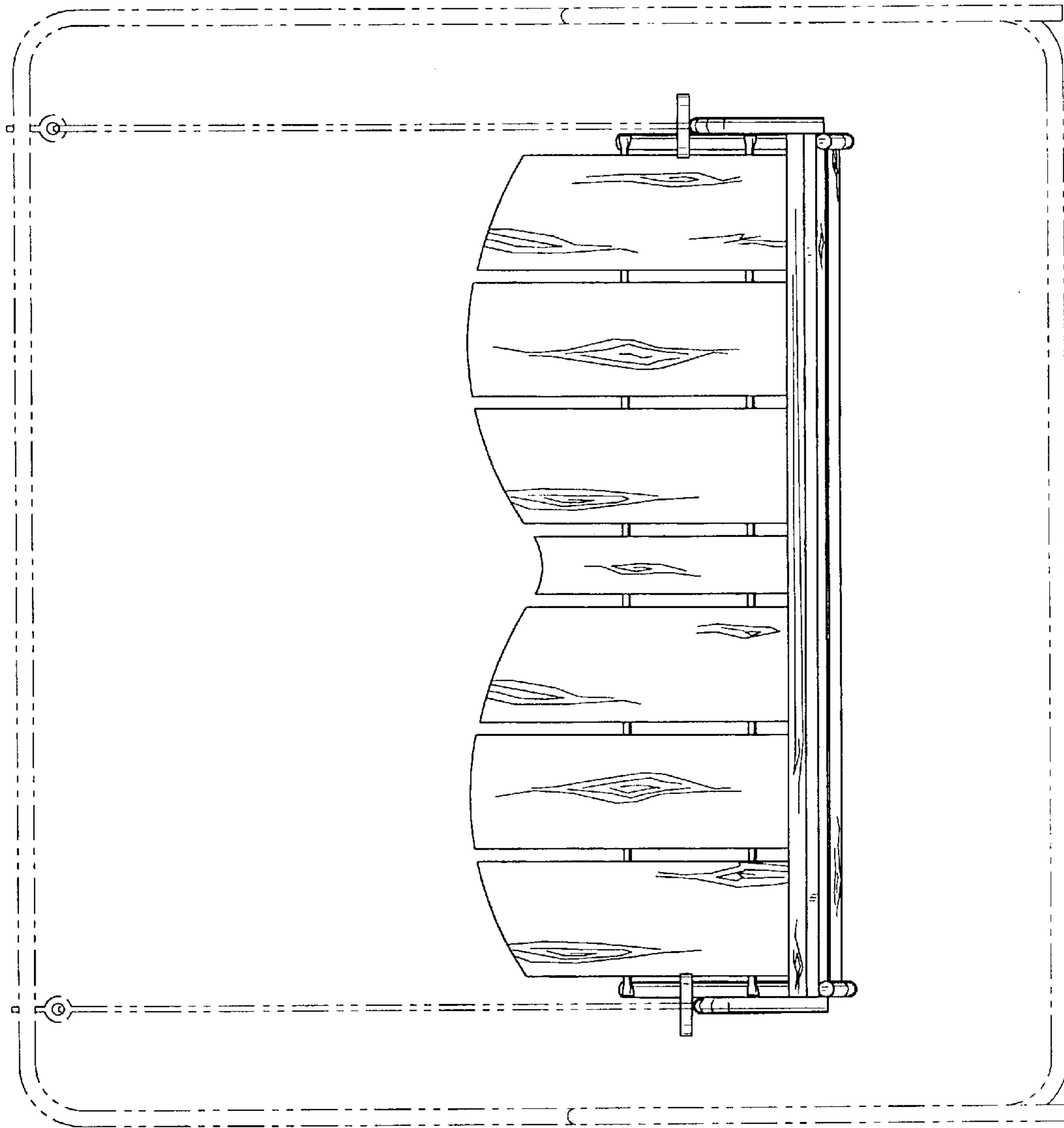


Fig. 3

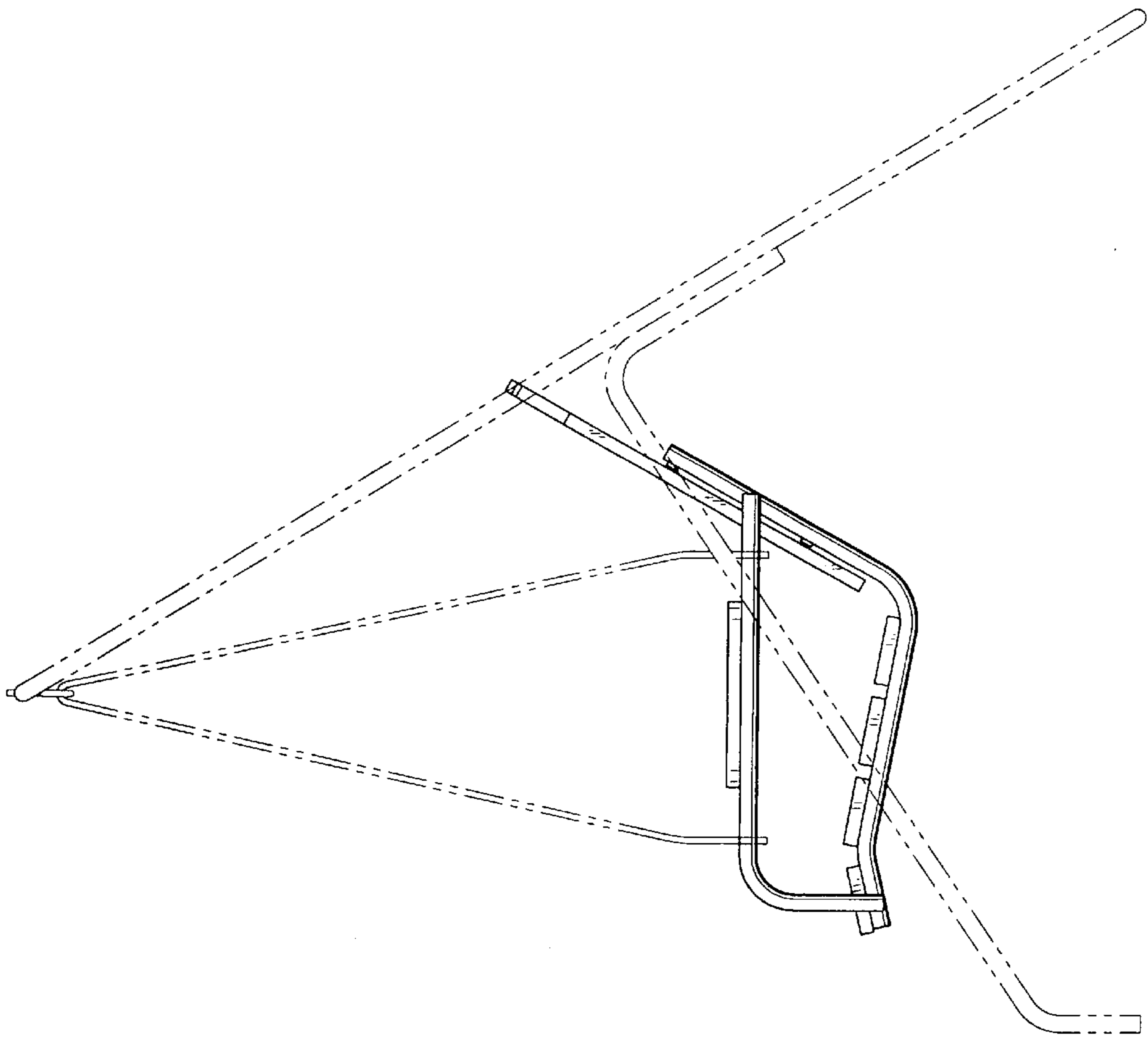


Fig. 4

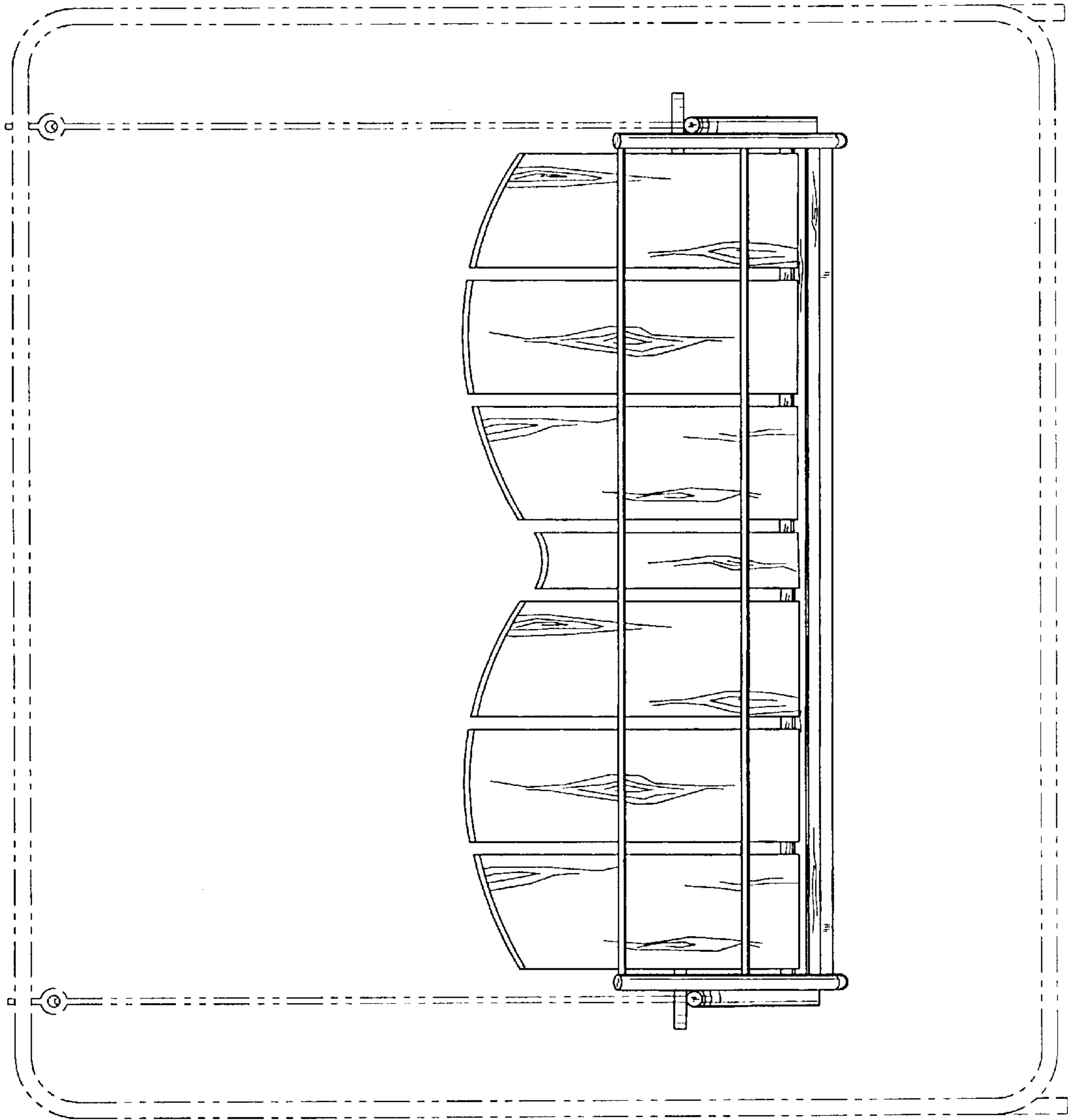


Fig.5

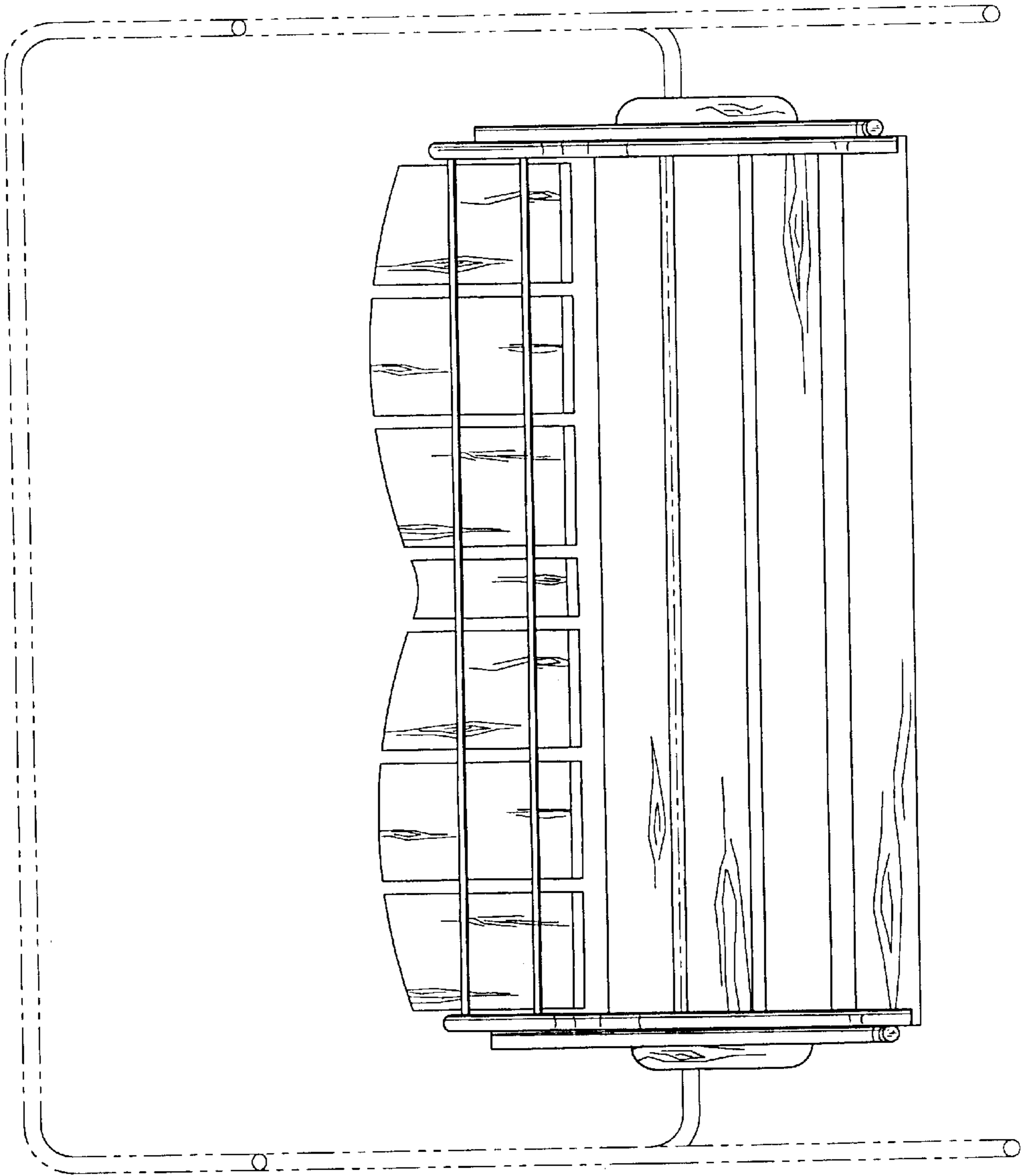


Fig. 6