



US00D408637S

# United States Patent [19] Sparks

[11] **Patent Number: Des. 408,637**

[45] **Date of Patent: \*\*Apr. 27, 1999**

[54] **COMBINED HEADWEAR DISPLAY AND SUPPORT APPARATUS**

5,480,073 1/1996 LaManna .  
5,630,516 5/1997 Helman .

[76] Inventor: **Dean A. Sparks**, 411 Cove Harbour Dr.  
West, Holland, Ohio 43528

*Primary Examiner*—B. J. Bullock  
*Attorney, Agent, or Firm*—Shlesinger Arkwright & Garvey  
LLP

[\*\*] Term: **14 Years**

[57] **CLAIM**

[21] Appl. No.: **29/082,287**

The ornamental design for a combined headwear display and support apparatus, as shown and described.

[22] Filed: **Jan. 20, 1998**

### DESCRIPTION

[51] **LOC (6) Cl.** ..... **06-08**

[52] **U.S. Cl.** ..... **D6/320**

[58] **Field of Search** ..... D6/315, 320, 566;  
211/32, 31, 106; 248/309.1, 309.2; 190/115

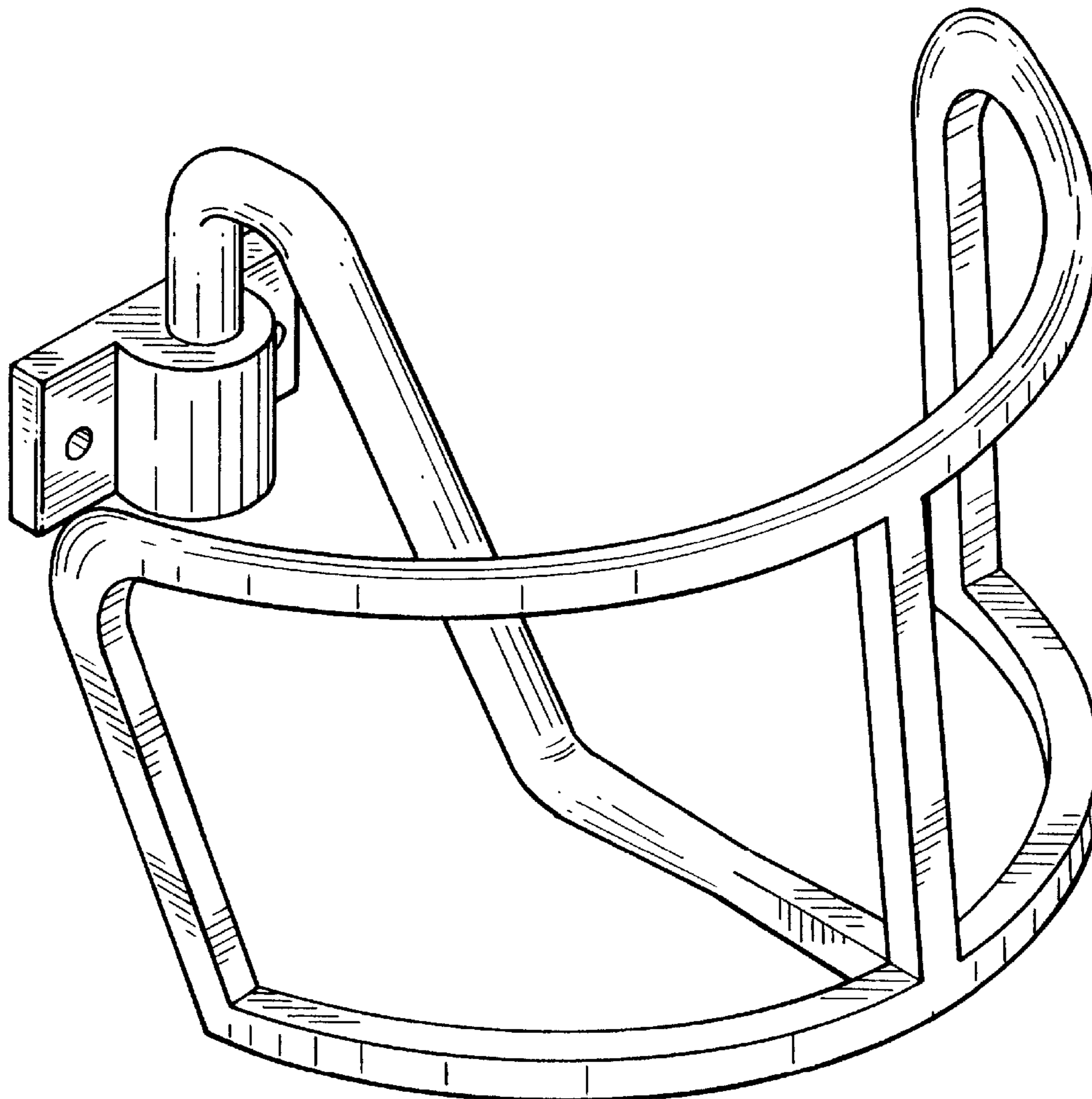
FIG. 1 is a front perspective view of the combined display and support apparatus;  
FIG. 2 is a top plan view thereof;  
FIG. 3 is a left side elevational view thereof and a mirror image of the right side elevational view;  
FIG. 4 is a front elevational view thereof;  
FIG. 5 is a rear elevational view thereof;  
FIG. 6 is a bottom plan view thereof; and,  
FIG. 7 is a front perspective view of a second embodiment of the design of FIG. 1, the only difference being the lack of a mounting bracket which is shown in phantom lines for illustrative purposes only and which forms no part of the claimed embodiment.

### [56] **References Cited**

#### U.S. PATENT DOCUMENTS

|           |         |               |           |
|-----------|---------|---------------|-----------|
| 481,189   | 8/1892  | Powell .      |           |
| 2,341,643 | 2/1944  | Mincenberg .  |           |
| 2,531,302 | 11/1950 | Schwennicke . |           |
| 3,178,030 | 4/1965  | Huebel .      |           |
| 4,684,096 | 8/1987  | Tanaka        | 211/309.1 |
| 5,002,190 | 3/1991  | Moreland      | 211/32    |
| 5,240,123 | 8/1993  | Hawk .        |           |
| 5,303,829 | 4/1994  | Kennedy .     |           |

**1 Claim, 3 Drawing Sheets**



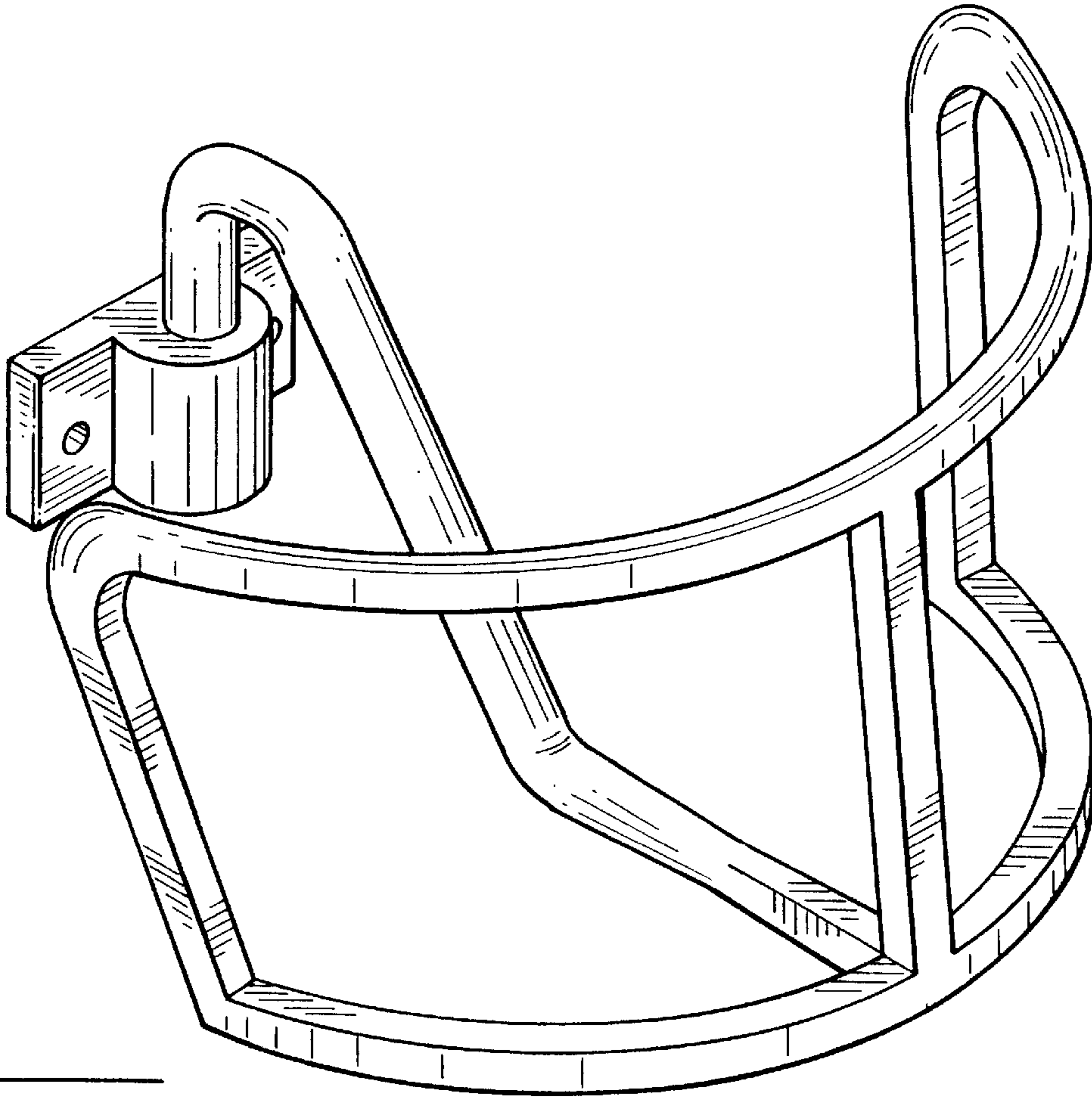


FIG. 1

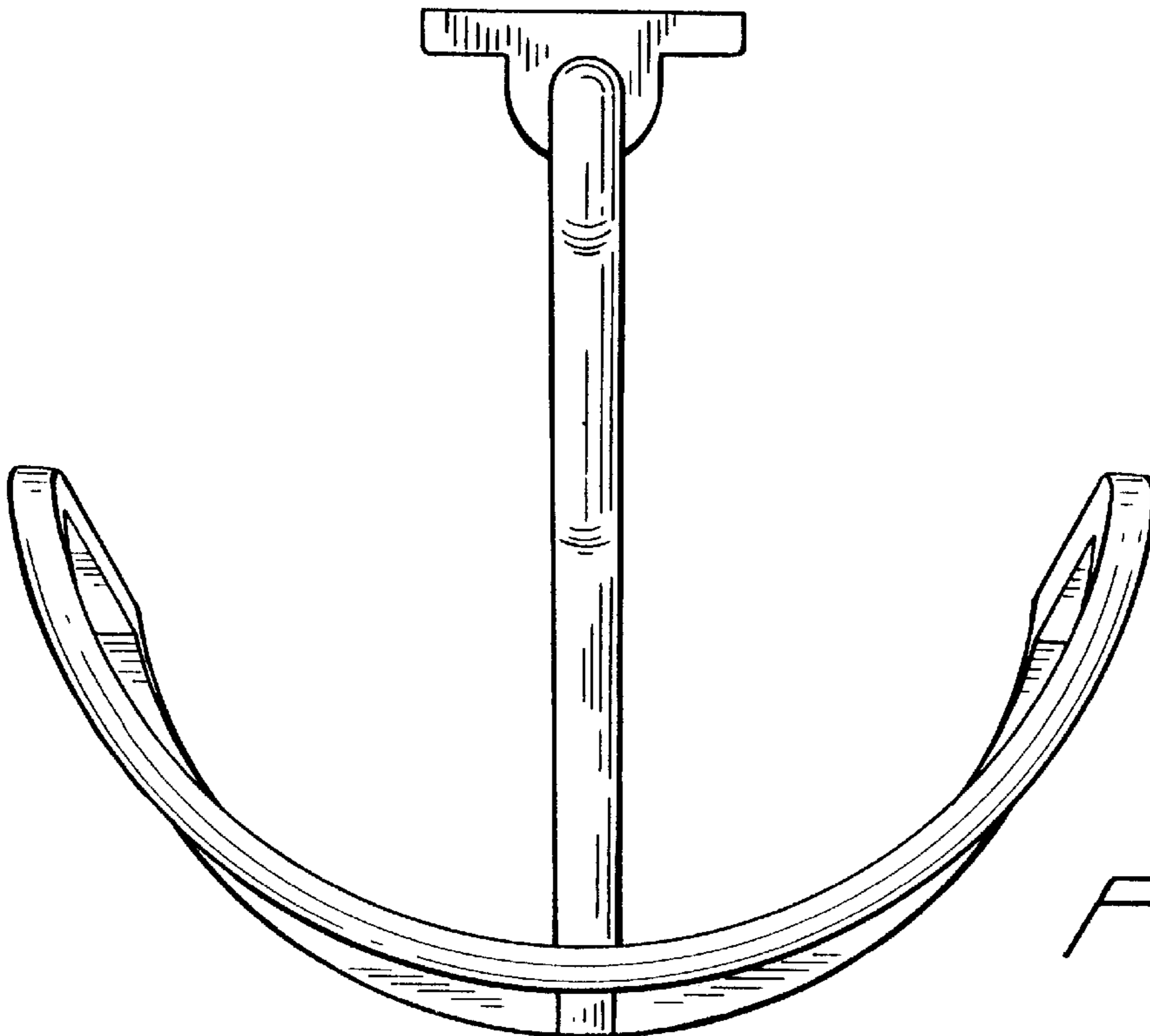


FIG. 2

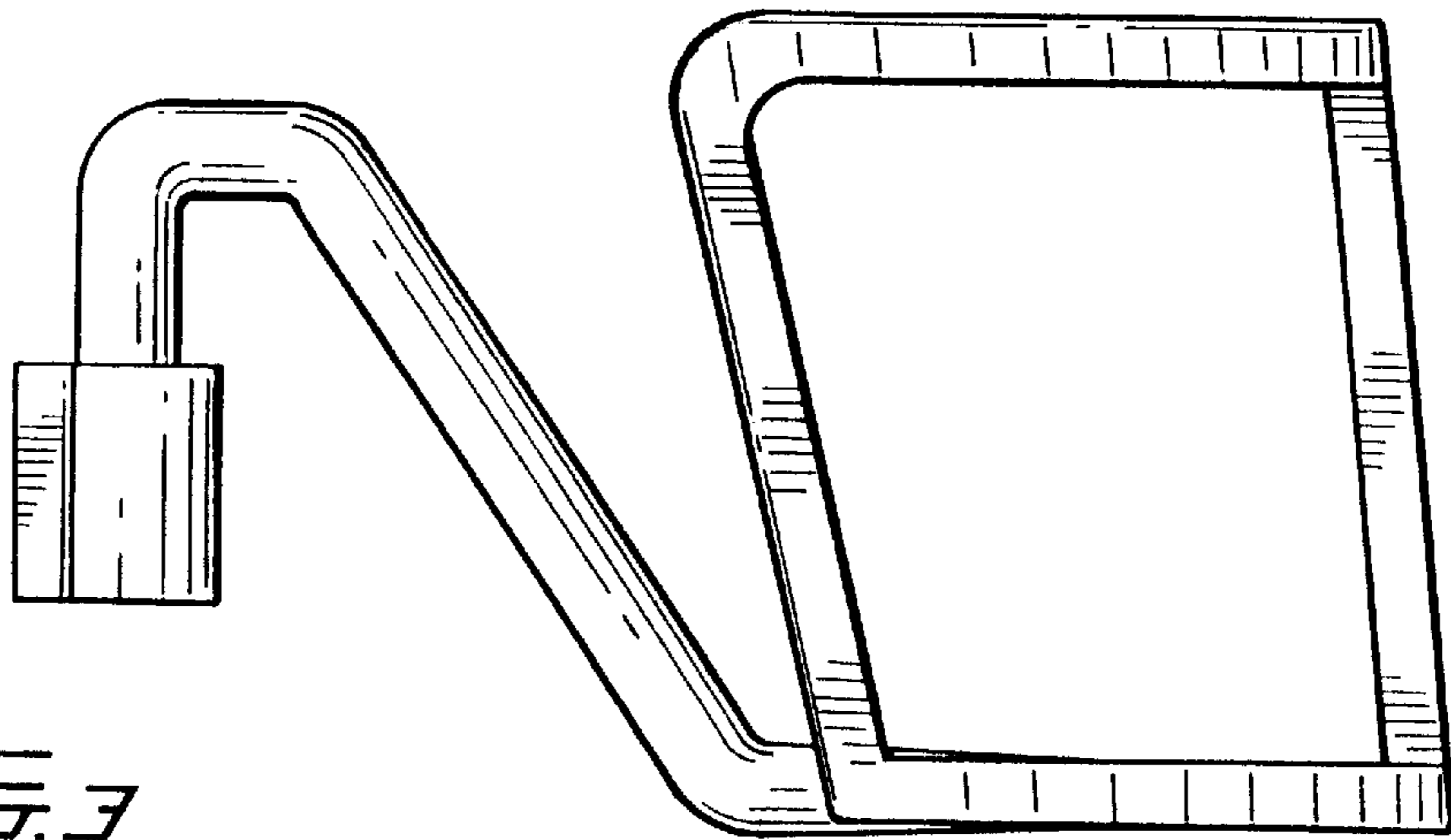


FIG. 3

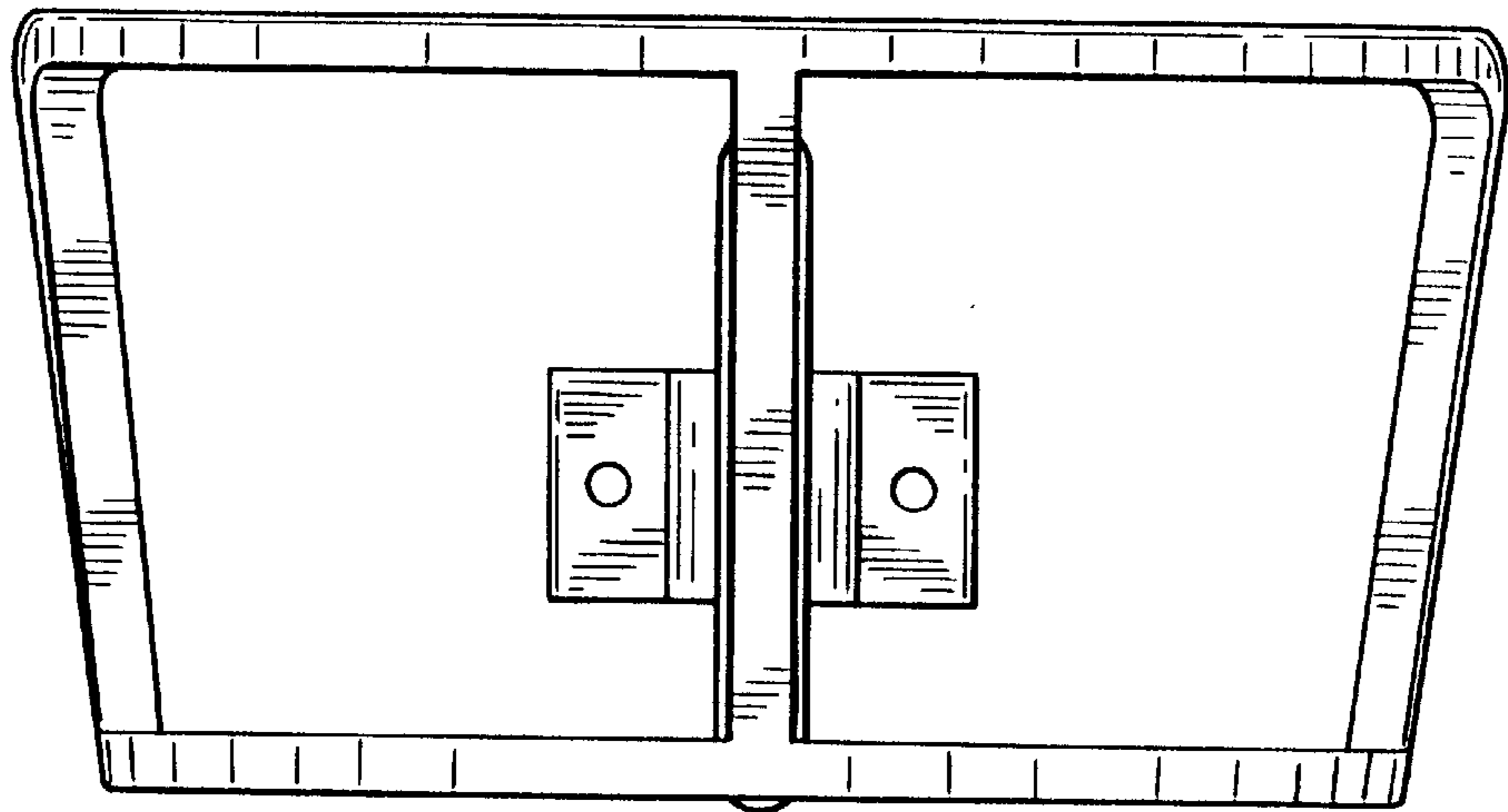


FIG. 4

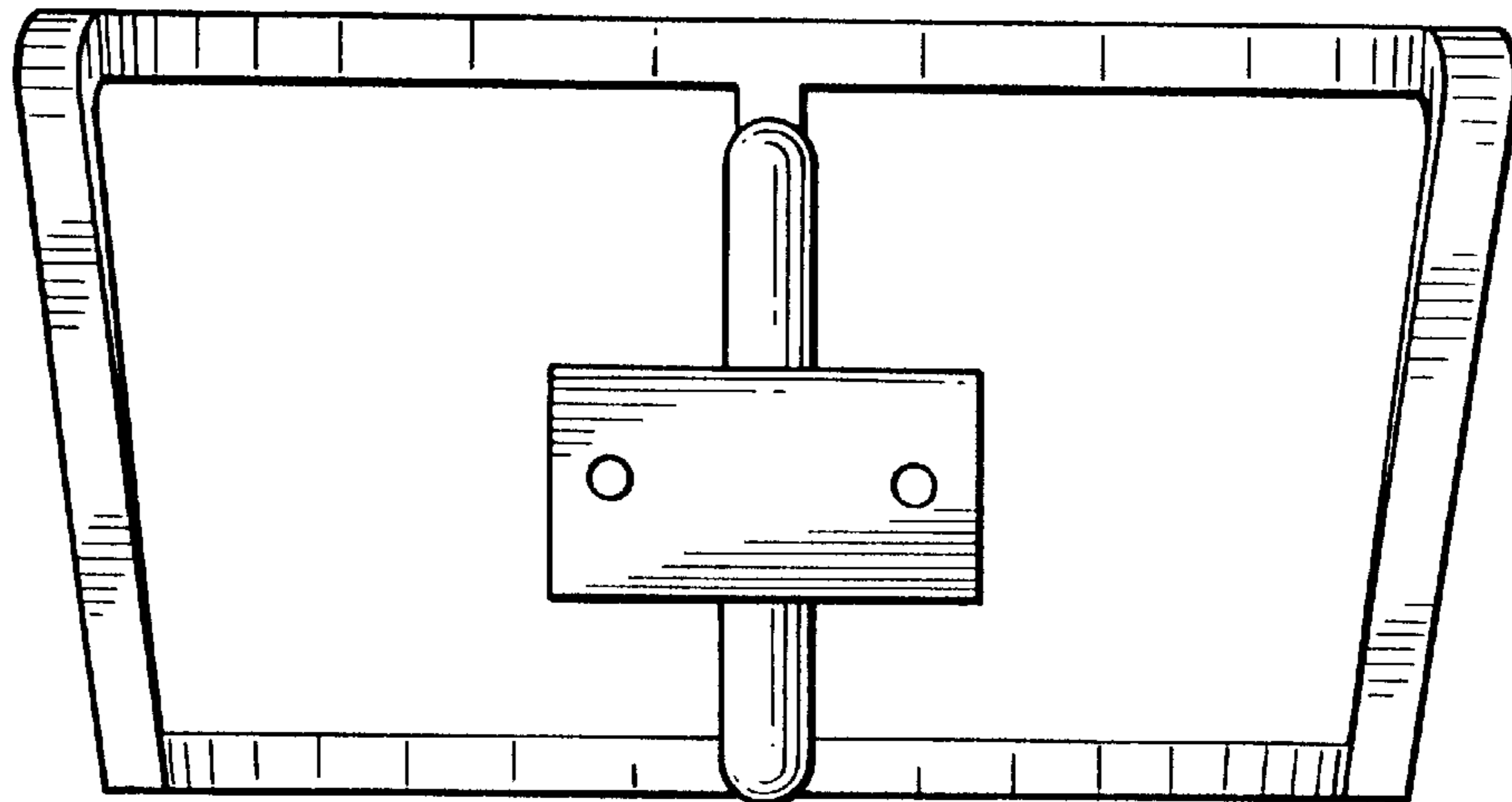


FIG. 5

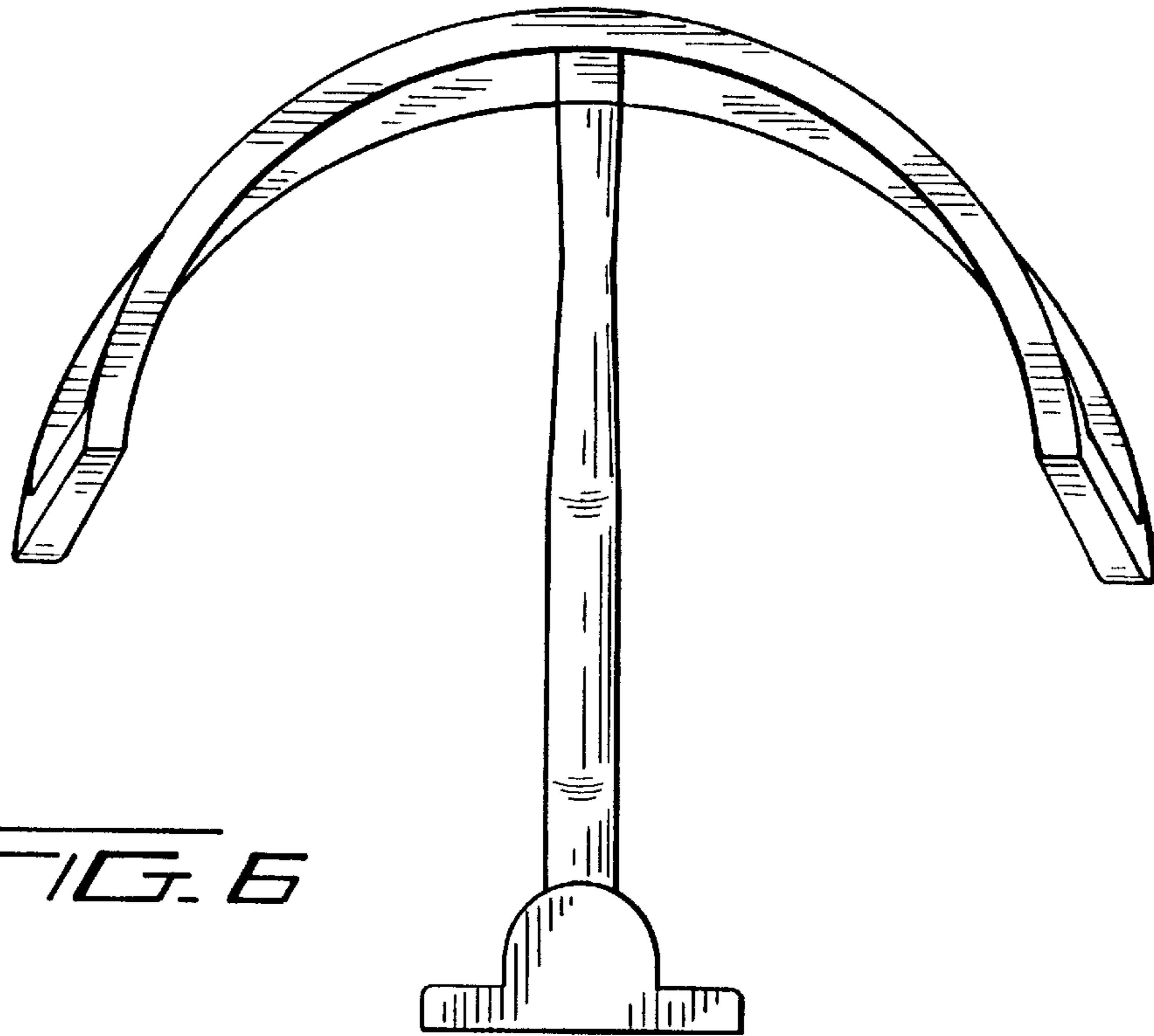


FIG. 6

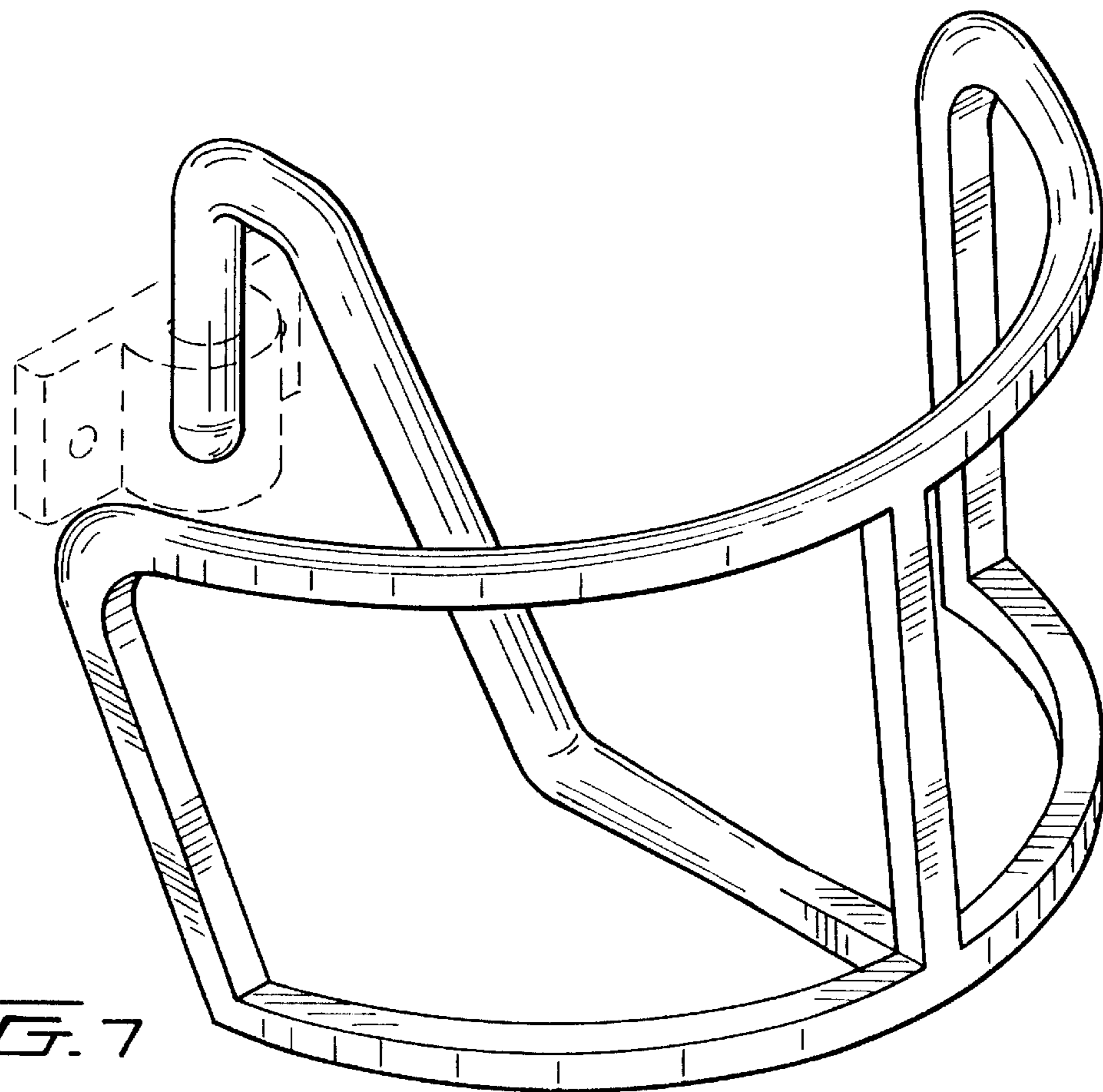


FIG. 7