



US00D408635S

United States Patent [19]

Sherman et al.

[11] Patent Number: Des. 408,635

[45] Date of Patent: ***Apr. 27, 1999

[54] TOOTHBRUSH HANDLE

[75] Inventors: Adam Sherman, Brooklyn, N.Y.;
Robert Moskovich, East Brunswick,
N.J.; James Petronio, New York, N.Y.

[73] Assignee: Colgate-Palmolive Company, New
York, N.Y.

[*] Notice: This patent is subject to a terminal dis-
claimer.

[**] Term: 14 Years

[21] Appl. No.: 29/060,652

[22] Filed: Oct. 3, 1996

Related U.S. Application Data

[62] Division of application No. 29/038,551, May 8, 1995, Pat.
No. Des. 393,005, which is a continuation of application No.
29/000,041, Oct. 5, 1992, Pat. No. Des. 358,711.

[51] LOC (6) Cl. 04-02

[52] U.S. Cl. D4/104

[58] Field of Search D4/104-112, 132-134,
D4/138; 15/143.1, 159.1, 167.1, 167.2

[56] References Cited

U.S. PATENT DOCUMENTS

D. 209,736 1/1968 Halm D4/104

D. 279,838	7/1985	Hjelle	D4/104
D. 318,760	8/1991	Kreisher et al.	D4/104
D. 328,392	8/1992	Holstein, II et al.	D4/104
D. 328,977	9/1992	Halm	D4/104
D. 334,288	3/1993	Witzig-Jaggi	D4/104
D. 358,711	5/1995	Sherman et al.	D4/104
2,267,670	12/1941	Rossenwasser	15/167.1 X

Primary Examiner—Alan P. Douglas
Assistant Examiner—Lavone D. Tabor
Attorney, Agent, or Firm—Richard J. Ancel

[57] CLAIM

The ornamental design for a toothbrush handle, as shown
and described.

DESCRIPTION

FIG. 1 is a top plan view of a toothbrush handle showing our
new design;
FIG. 2 is a right side elevational view thereof;
FIG. 3 is a bottom elevational view thereof;
FIG. 4 is an enlarged end elevational view from the handle
end;
FIG. 5 is an enlarged end elevational view from the head
end; and,
FIG. 6 is an enlarged perspective view thereof.
The structure shown in phantom or broken lines in the
figures forms no part of the claimed design and is present
only to illustrate the environment.

1 Claim, 2 Drawing Sheets

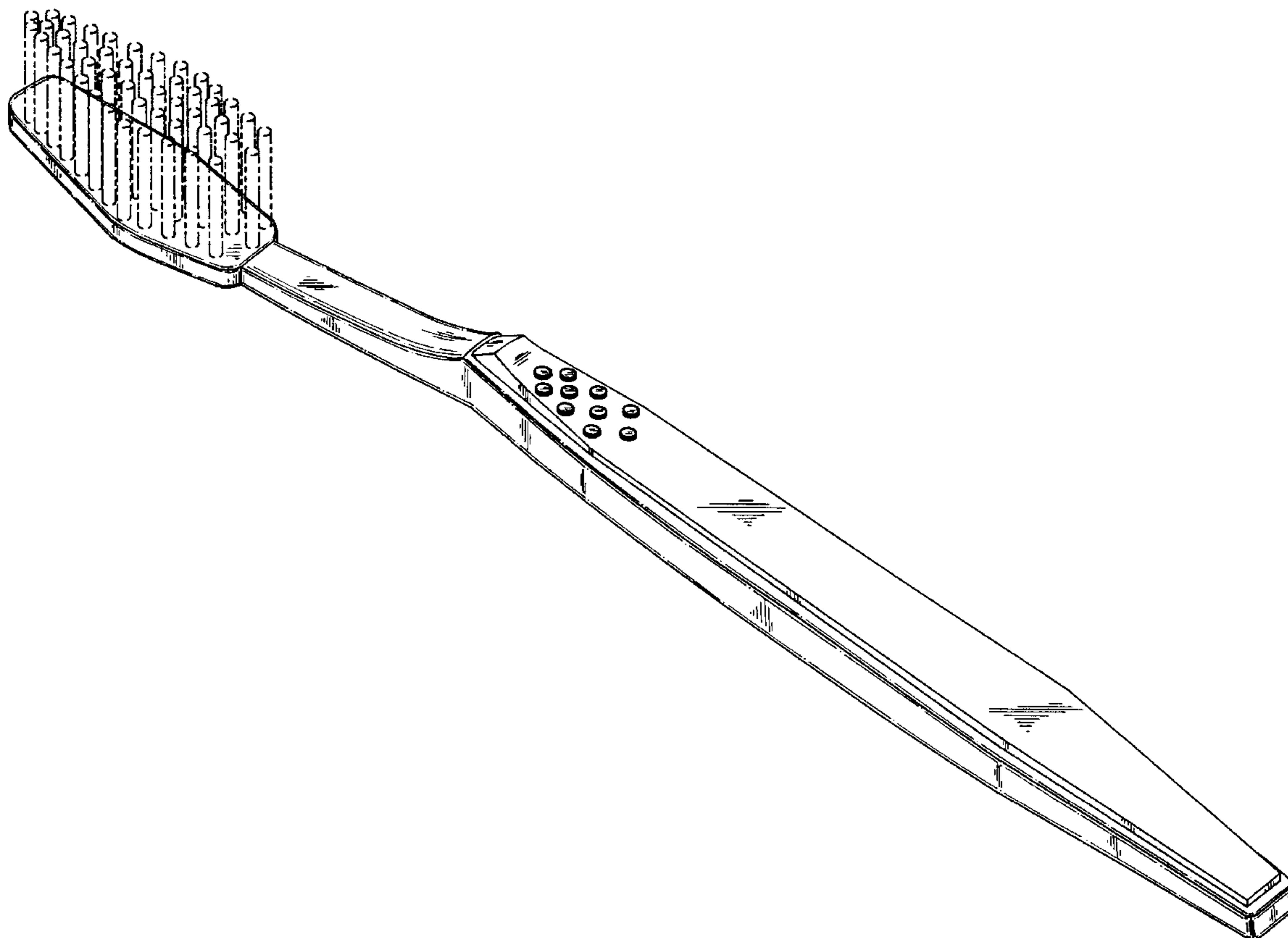


FIG. 1

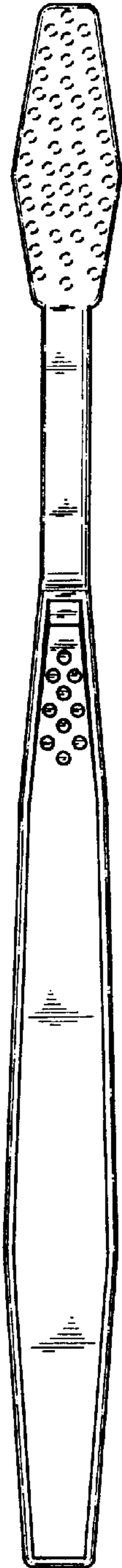


FIG. 2

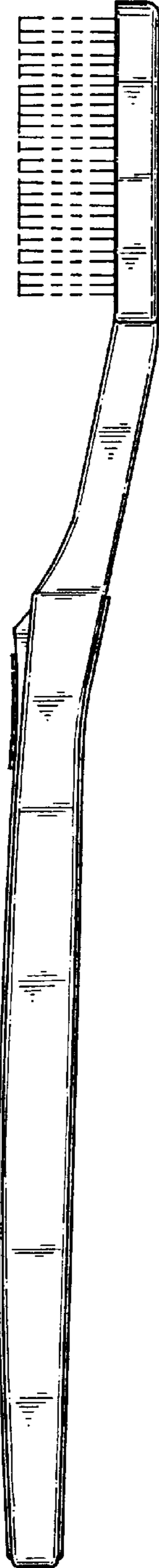


FIG. 5

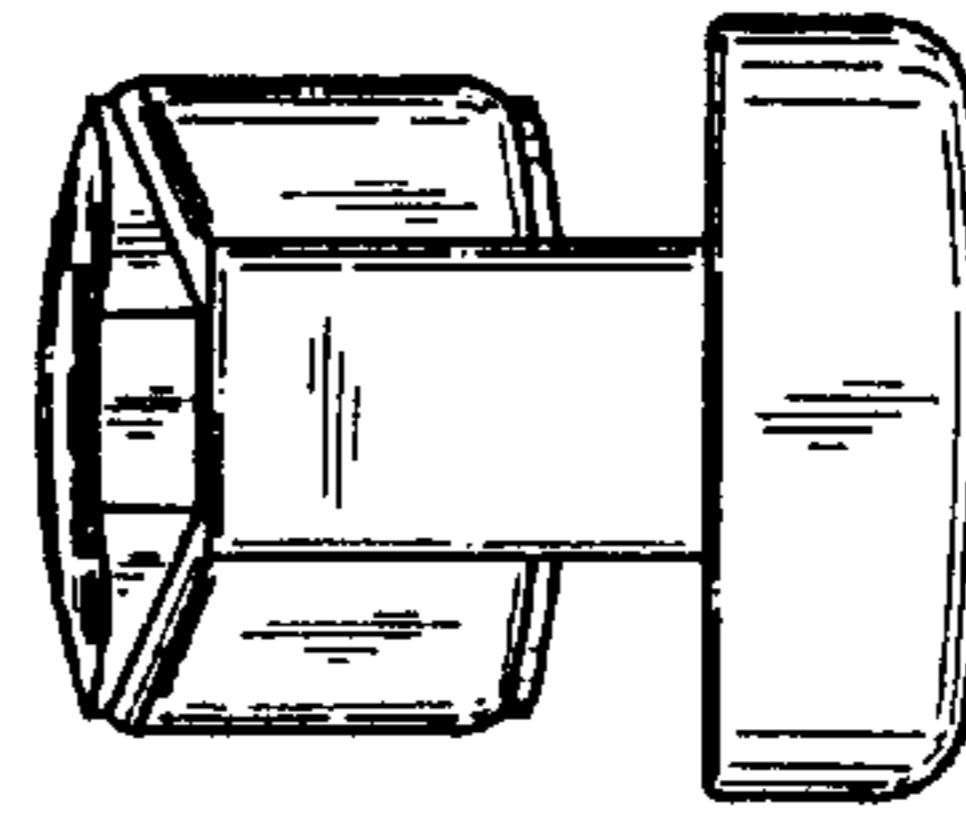


FIG. 4

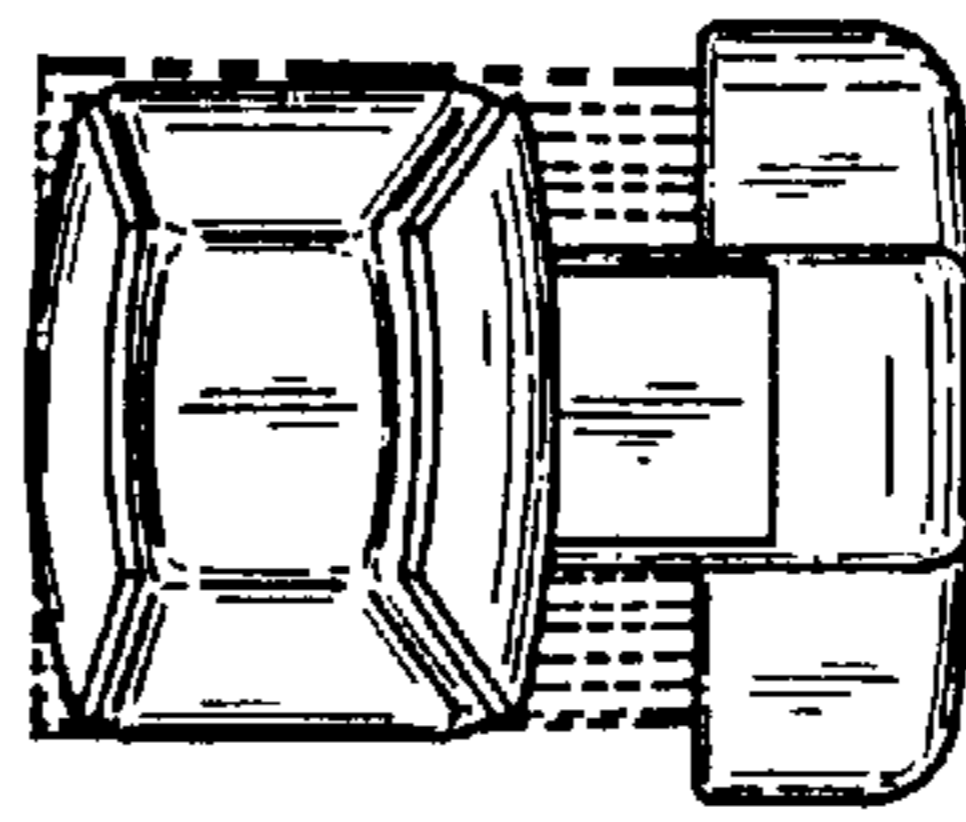
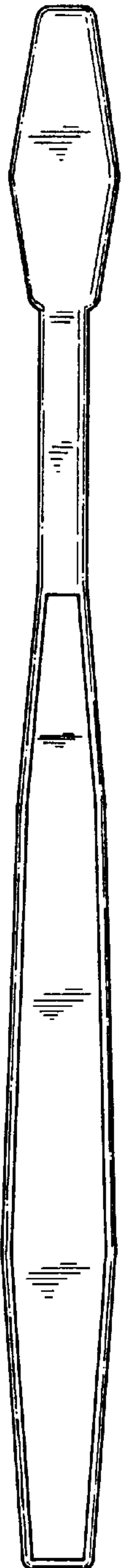


FIG. 3



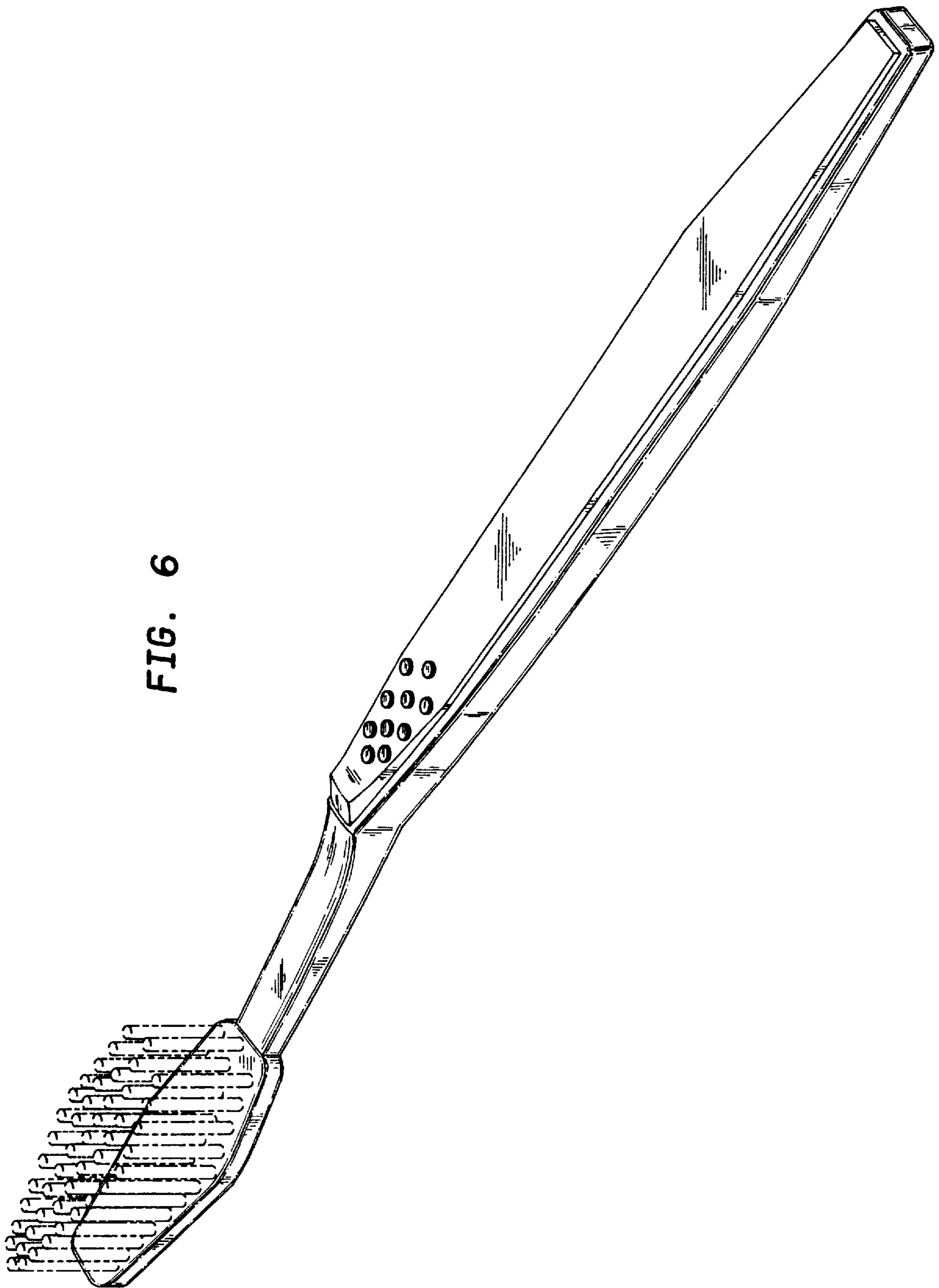


FIG. 6

UNITED STATES PATENT AND TRADEMARK OFFICE
CERTIFICATE OF CORRECTION

PATENT NO. : Des. 408,635
DATED : April 27, 1999
INVENTOR(S) : Sherman et al

It is certified that error appears in the above-identified patent and that said Letters Patent is hereby corrected as shown below:

On the title page: Item [56] "Related U.S. Application Data", it should

Division of application No. 29/038,351, May 4, 1995, Pat. No. Des. 378,955, which is a continuation of application No. 29/000,041, Oct. 5, 1992, Pat. No. Des. 358,711.

Signed and Sealed this
Twelfth Day of October, 1999

Attest:



Q. TODD DICKINSON

Attesting Officer

Acting Commissioner of Patents and Trademarks