



US00D408632S

United States Patent [19]
Najmi

[11] **Patent Number: Des. 408,632**

[45] **Date of Patent: **Apr. 27, 1999**

[54] **COMBINED TIE HOLDER AND PROTECTOR**

D. 361,432 8/1995 Lotti D3/273
D. 385,701 11/1997 Bagarie D3/301
2,285,270 6/1942 Gelow D9/419

[76] Inventor: **Boman K. Najmi**, 13120 Windcrest Dr., Port Charlotte, Fla. 33953

Primary Examiner—Philip S. Hyder
Attorney, Agent, or Firm—Frank A. Lukasik

[**] Term: **14 Years**

[57] **CLAIM**

[21] Appl. No.: **29/079,788**

The ornamental design for a combined tie holder and protector, as shown.

[22] Filed: **Nov. 25, 1997**

DESCRIPTION

[51] **LOC (6) Cl.** **03-01**

[52] **U.S. Cl.** **D3/302; D3/273**

[58] **Field of Search** D3/273, 302; D9/419, D9/549; 206/278, 287, 294, 292

FIG. 1 is a top, front, perspective view of a combined tie holder and protector.

FIG. 2 is a side view of the combined tie holder and protector before assembly; and,

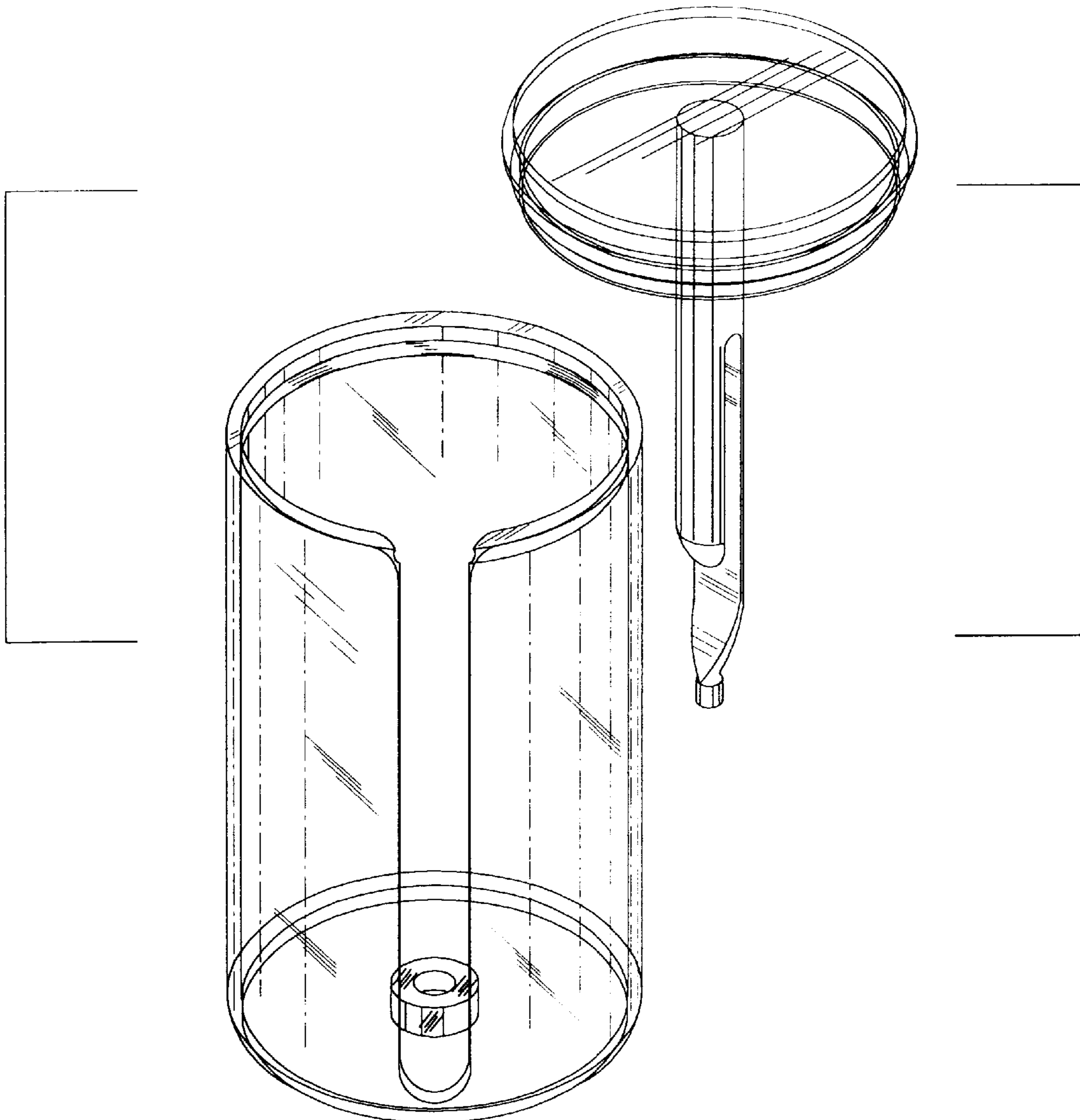
FIG. 3 is a side view of the assembled, combined tie holder and protector.

[56] **References Cited**

U.S. PATENT DOCUMENTS

D. 256,999 9/1980 Haagedoorn et al. D9/419

1 Claim, 2 Drawing Sheets



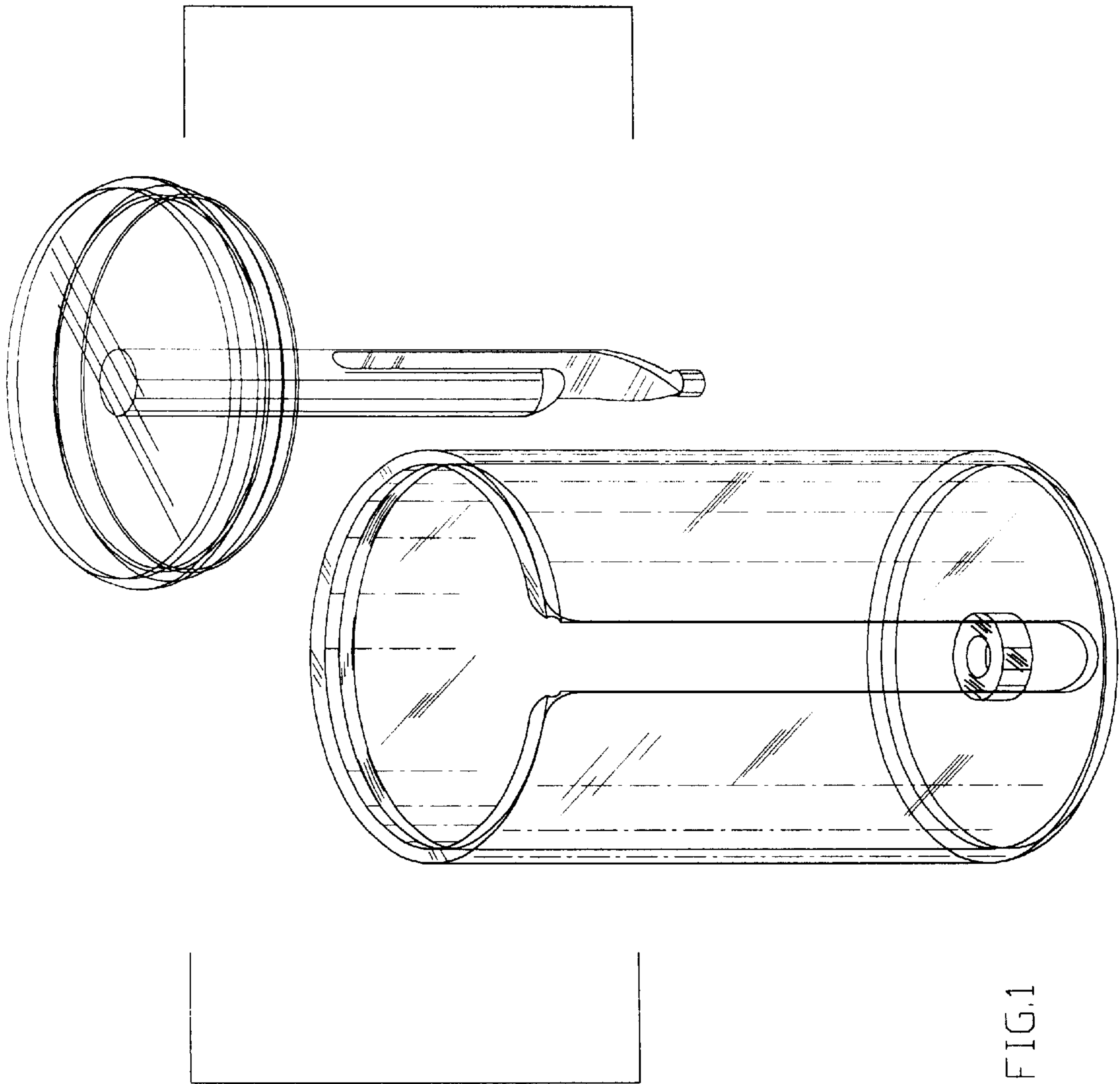


FIG.1

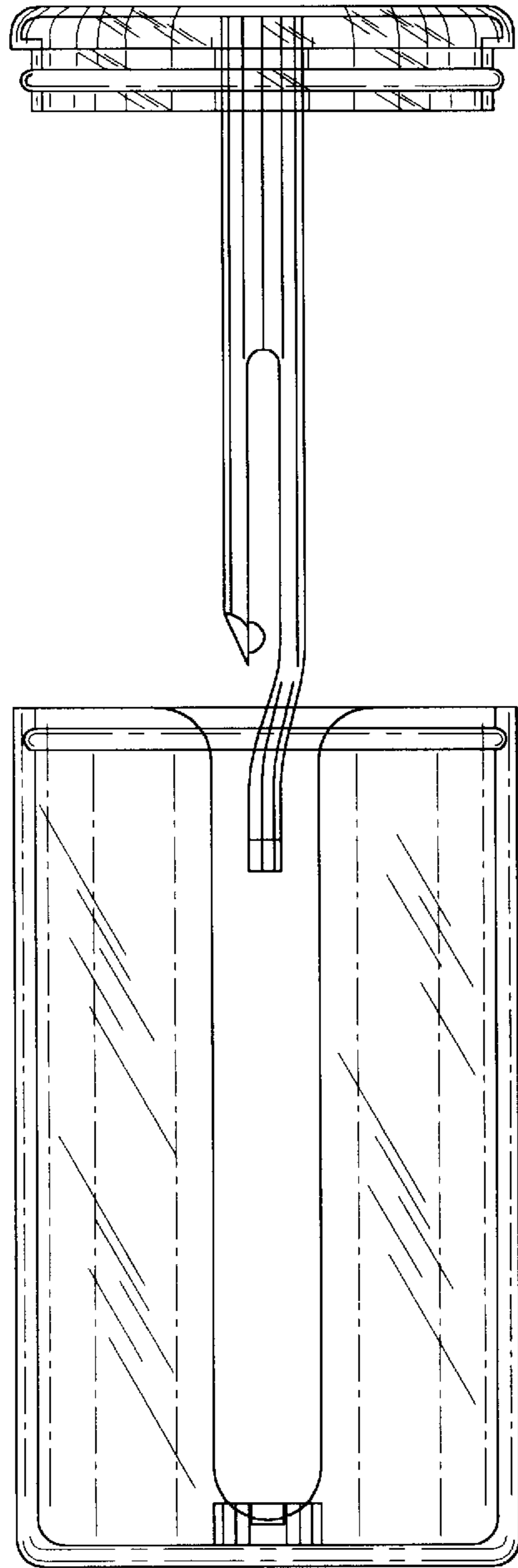


FIG. 2

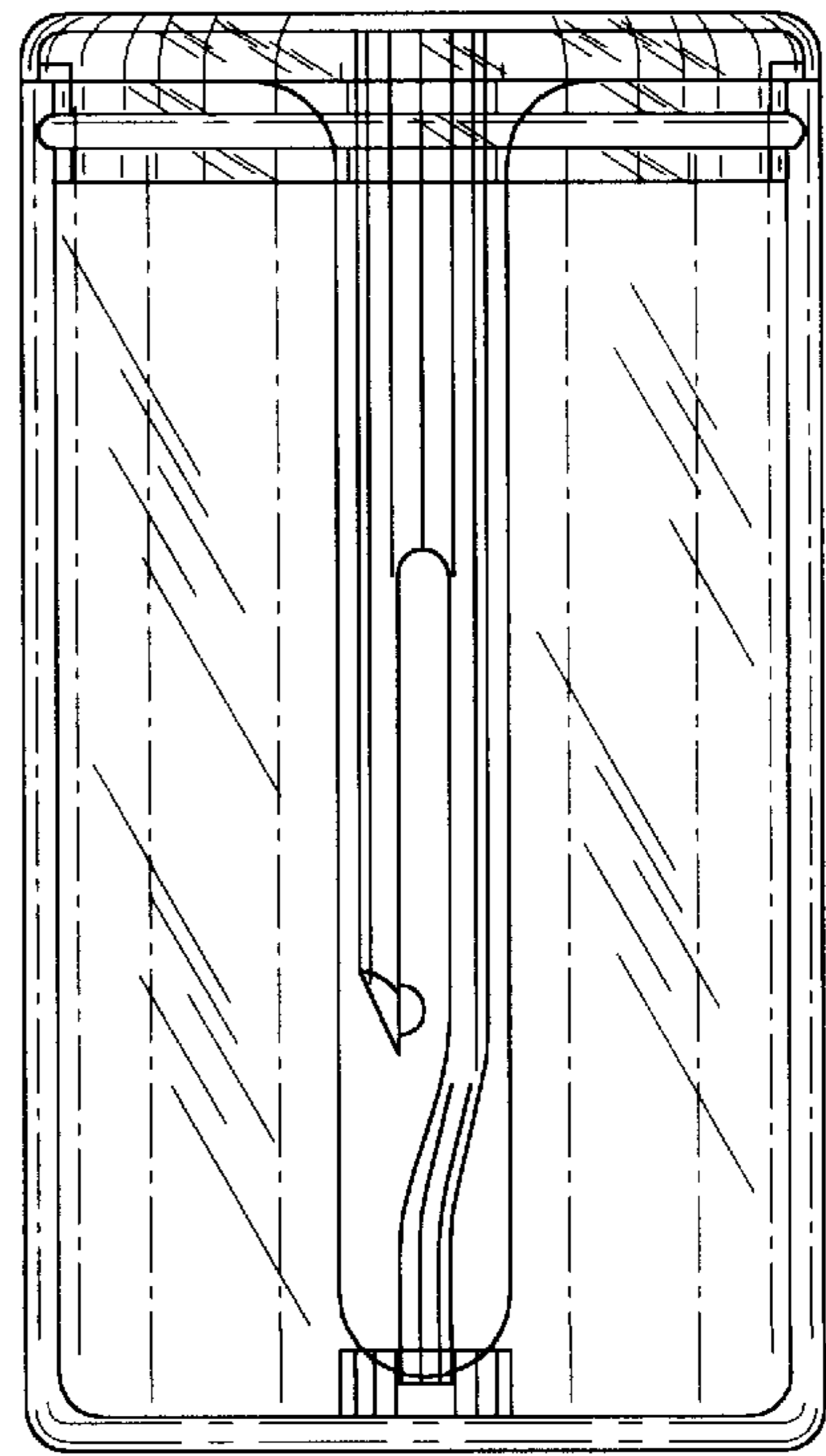


FIG. 3