



US00D408627S

United States Patent [19] Chiu

[11] **Patent Number: Des. 408,627**

[45] **Date of Patent: ** Apr. 27, 1999**

[54] **KEY RING**

D. 260,699 9/1981 Yo D3/211
4,504,993 3/1985 Gamble D3/211

[75] Inventor: **Ching Hsing Chiu**, Tainan, Taiwan

[73] Assignee: **Hau Mei Industrial Co., Ltd.**, Tainan, Taiwan

Primary Examiner—Ralf Seifert
Attorney, Agent, or Firm—Rosenberg, Klein & Bilker

[**] Term: **14 Years**

[57] **CLAIM**

The ornamental design for a key ring, as shown and described.

[21] Appl. No.: **29/090,246**

[22] Filed: **Jul. 2, 1998**

DESCRIPTION

[51] **LOC (6) Cl.** **03-01**

[52] **U.S. Cl.** **D3/211**

[58] **Field of Search** D3/207-212; D11/44,
D11/48, 81, 99; 24/3 K; 70/456; D30/146;
D2/896, 897

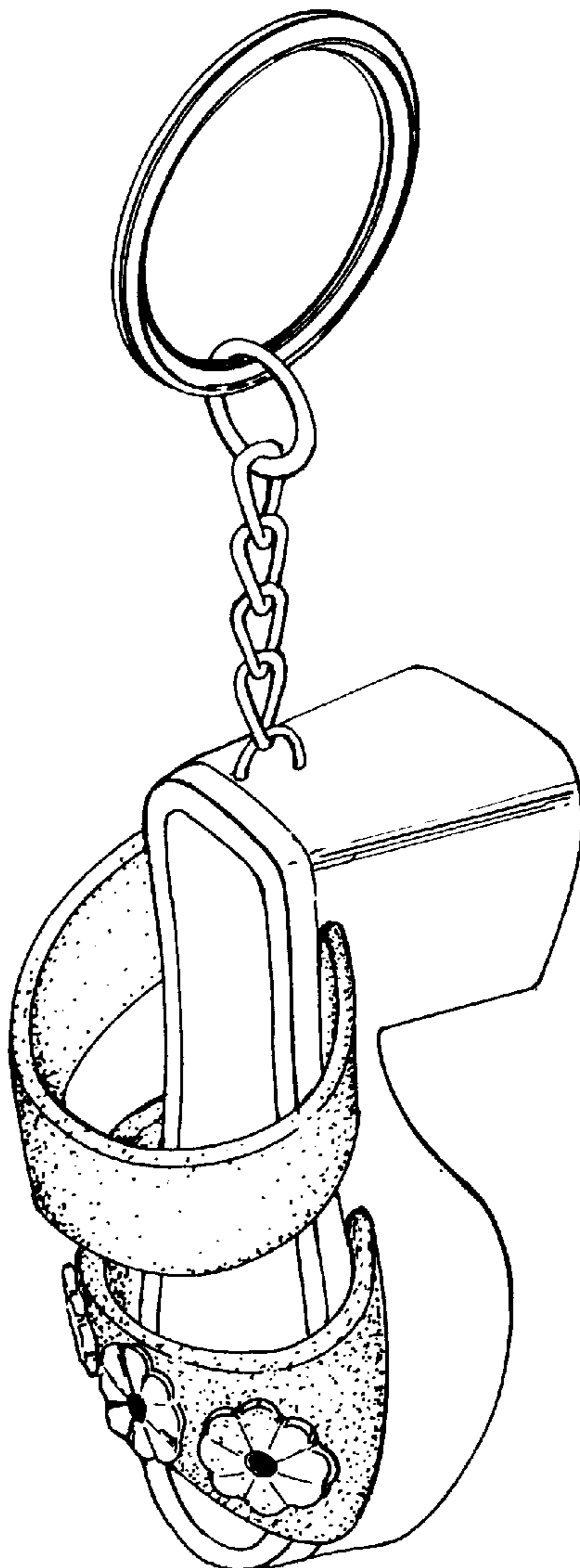
FIG. 1 is a perspective view of a key ring showing my new design;
FIG. 2 is a front elevational view thereof;
FIG. 3 is a rear elevational view thereof;
FIG. 4 is a left side elevational view thereof;
FIG. 5 is a right side elevational view thereof;
FIG. 6 is a top plan view thereof; and,
FIG. 7 is a bottom plan view thereof.

[56] **References Cited**

U.S. PATENT DOCUMENTS

D. 163,296 5/1951 Lama D3/211

1 Claim, 2 Drawing Sheets



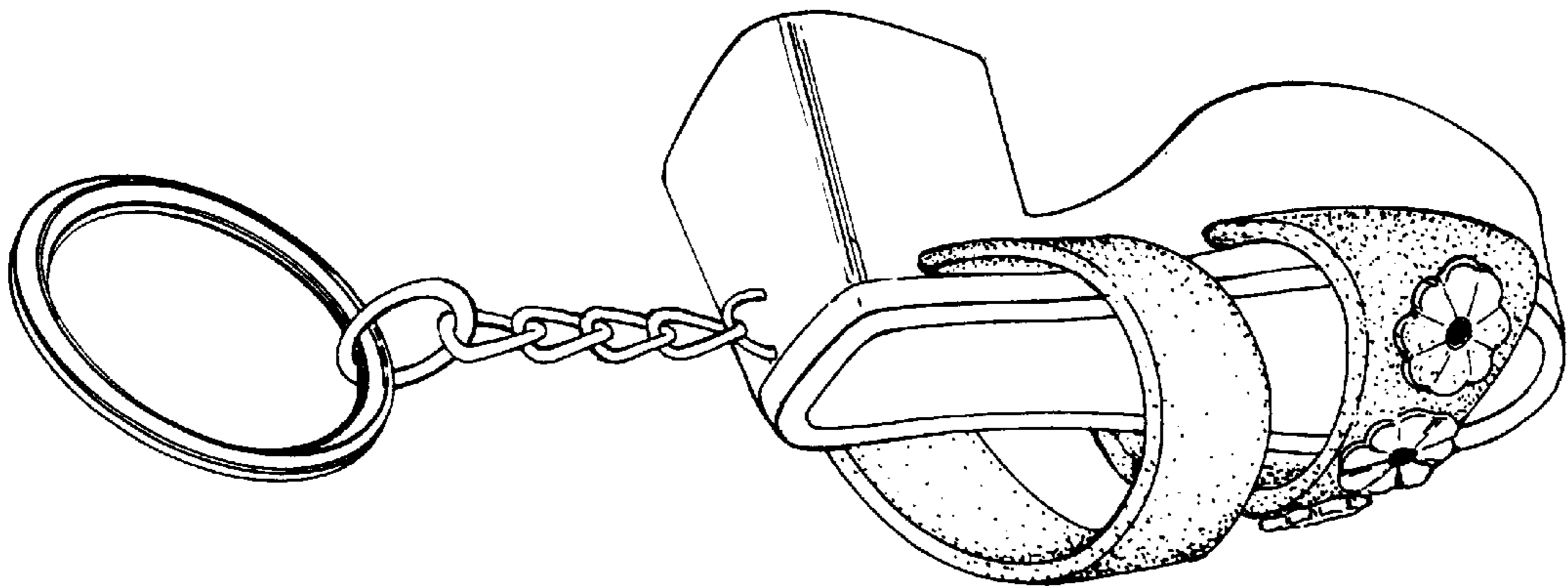


FIG. 1

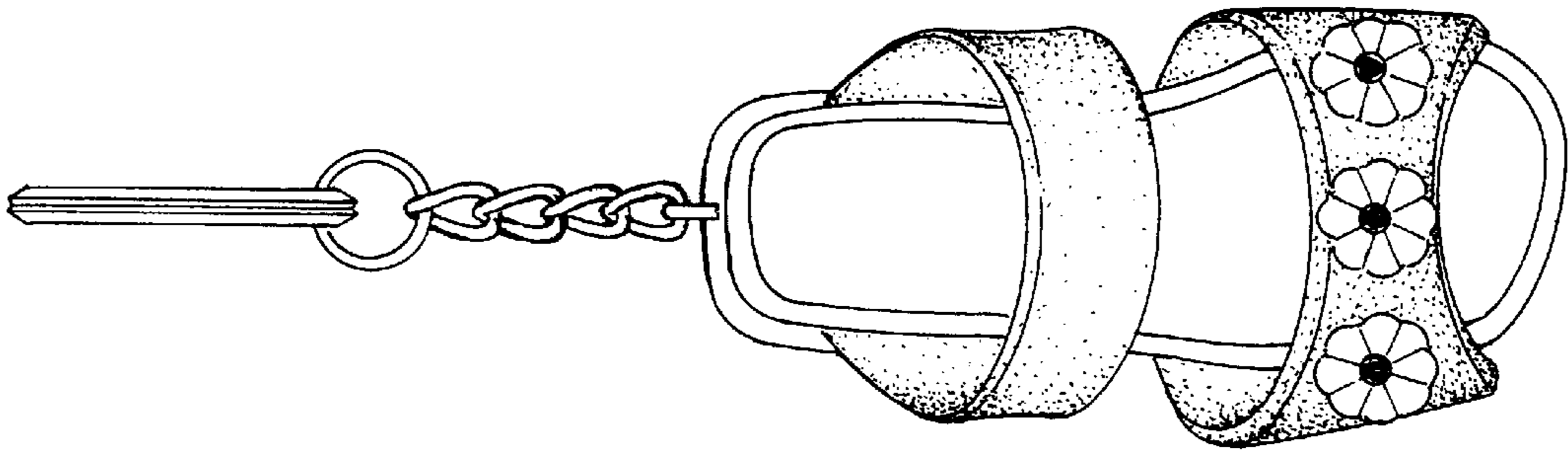


FIG. 2

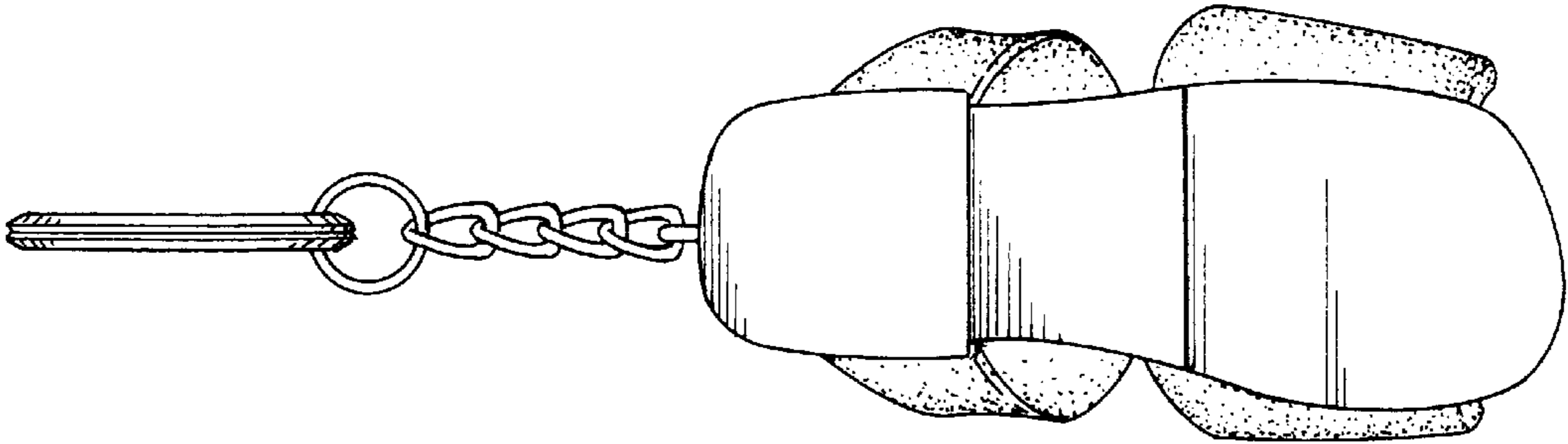


FIG. 3

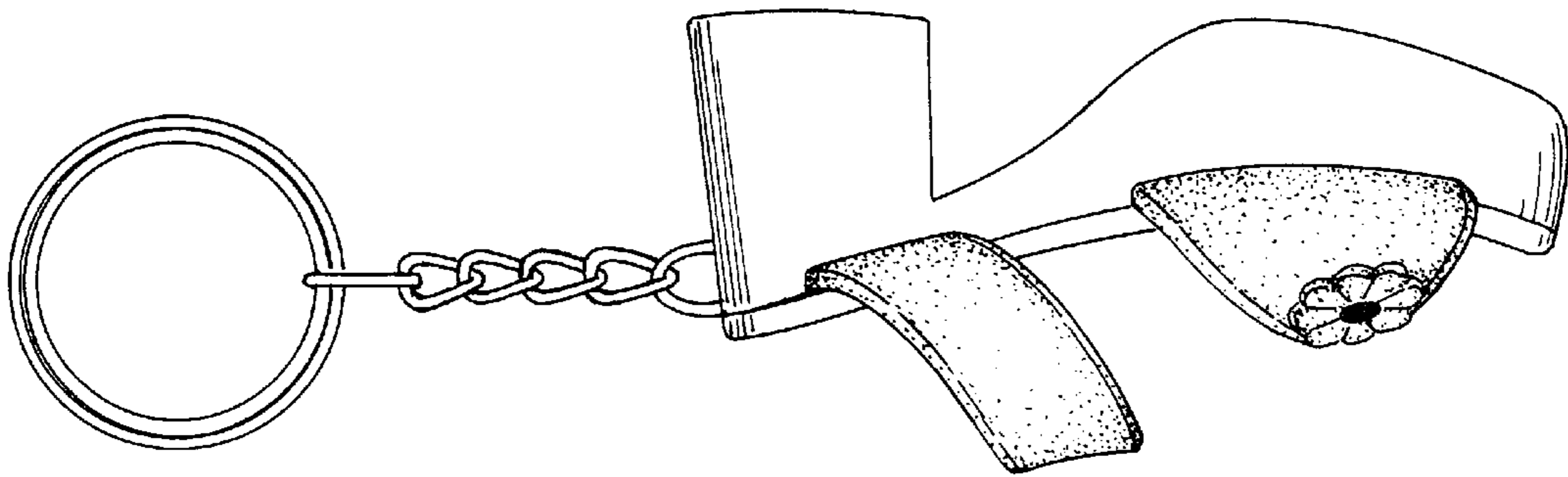


FIG. 5

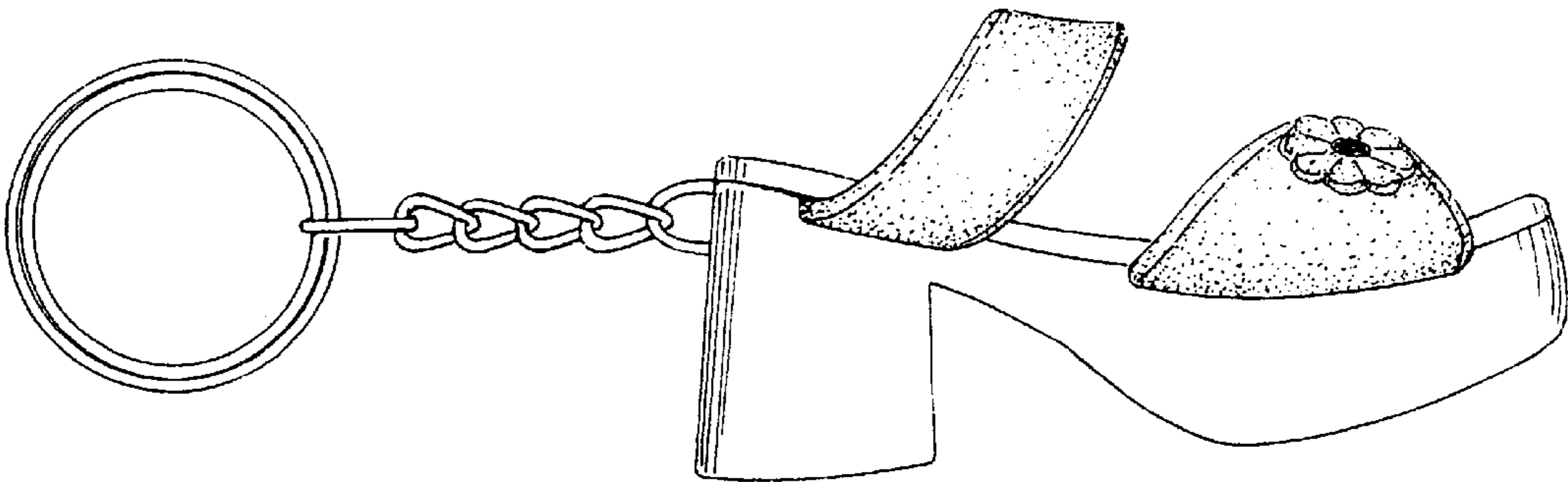


FIG. 4

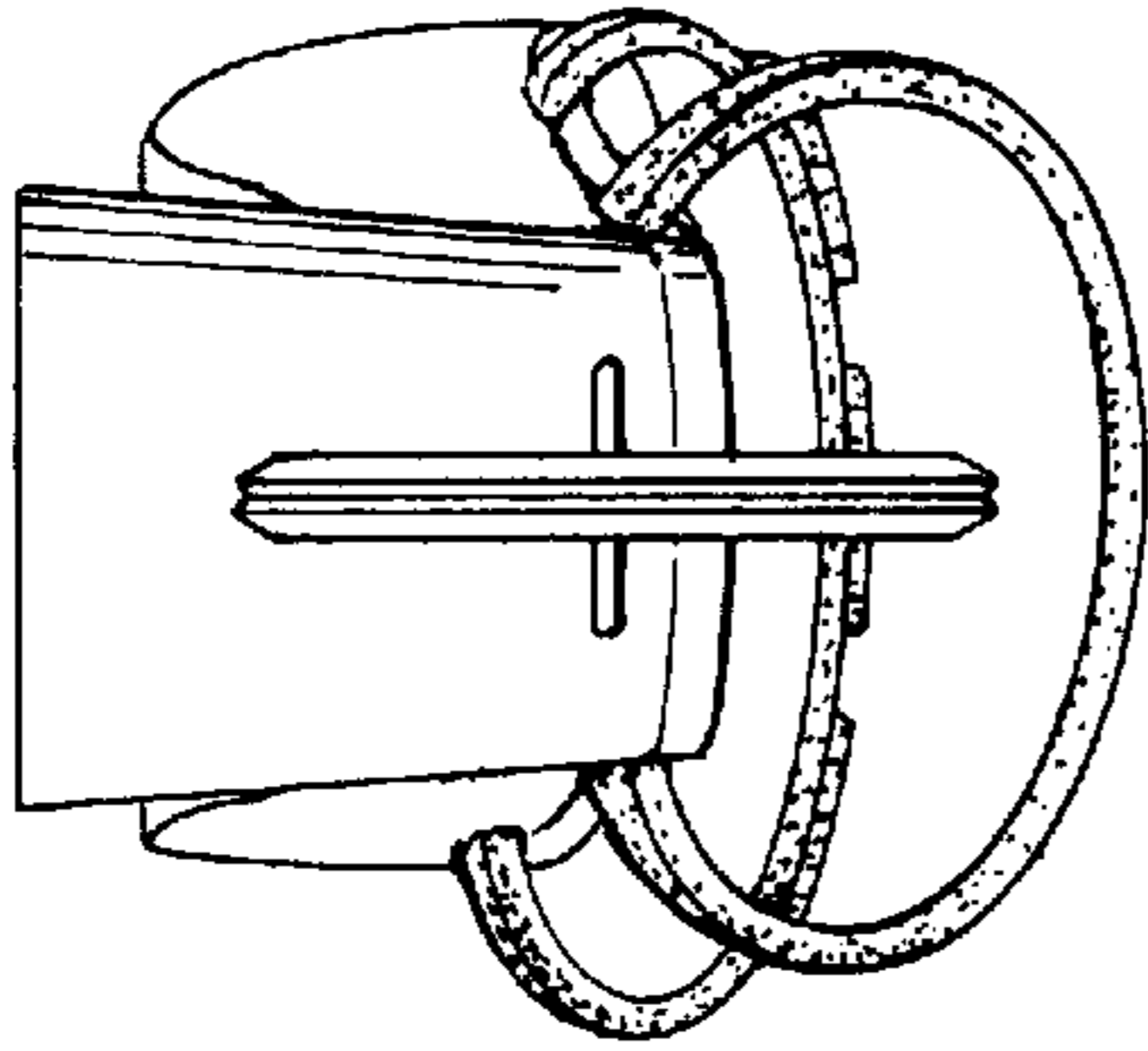


FIG. 6

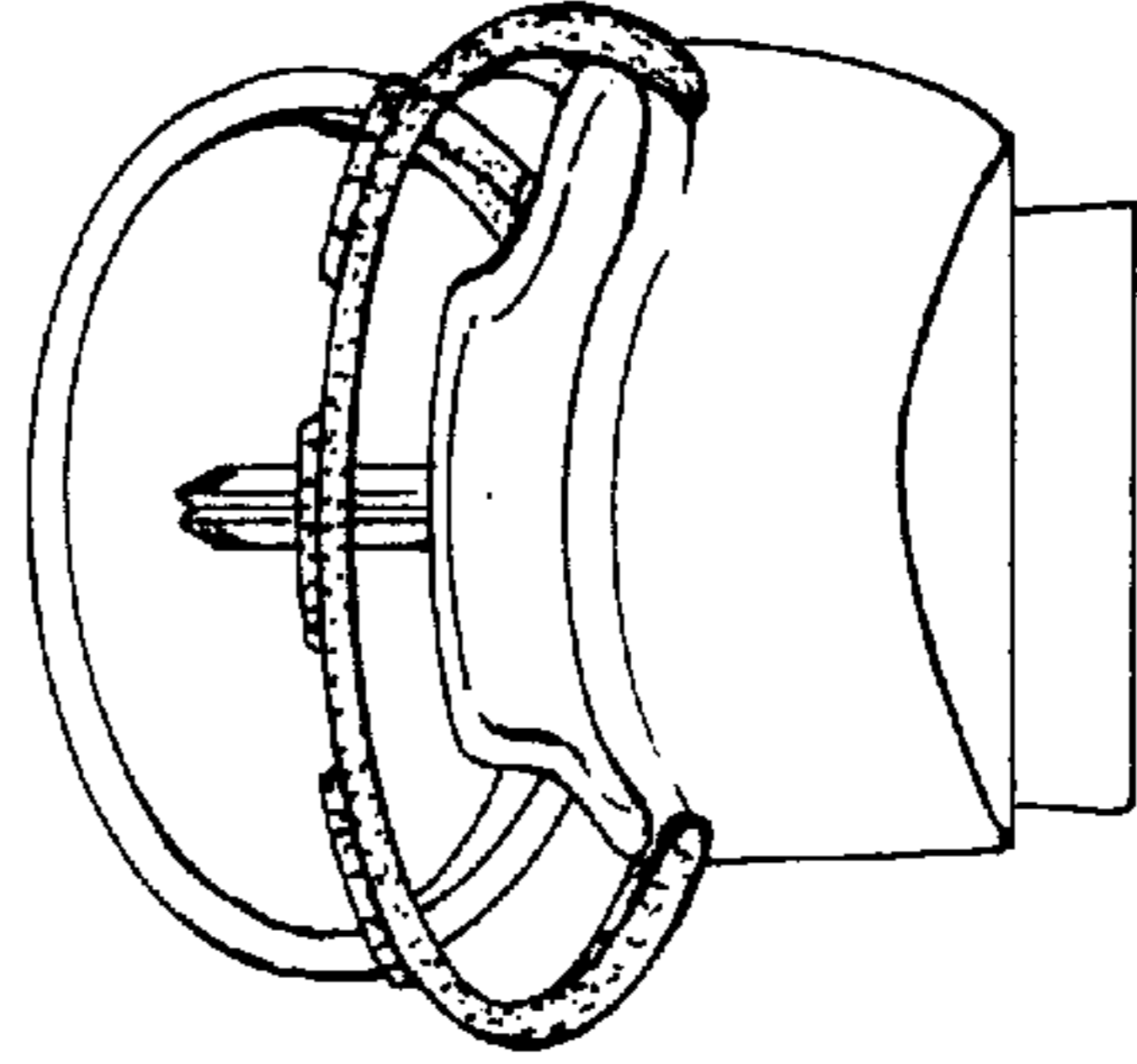


FIG. 7