



US00D408624S

# United States Patent [19] Earvin

[11] **Patent Number: Des. 408,624**

[45] **Date of Patent: \*\*Apr. 27, 1999**

[54] **INSULATED BEVERAGE FLASK WITH CARRYING CASE**

D. 379,711 6/1997 Fitzgerald ..... D3/202  
5,147,079 9/1992 Heather ..... 224/148.6

[76] Inventor: **Bennie L Earvin**, 1616 25th Ave.,  
Meridian, Miss. 39301

*Primary Examiner*—Dominic Simone

[\*\*] Term: **14 Years**

[57] **CLAIM**

The ornamental design for a insulated beverage flask with carrying case, as shown.

[21] Appl. No.: **29/087,272**

### DESCRIPTION

[22] Filed: **Apr. 30, 1998**

[51] **LOC (6) Cl.** ..... **03-01**

[52] **U.S. Cl.** ..... **D3/202**

[58] **Field of Search** ..... D3/202, 229, 244,  
D3/300; D7/608; 224/148.1, 148.3, 148.4,  
148.7, 148.6

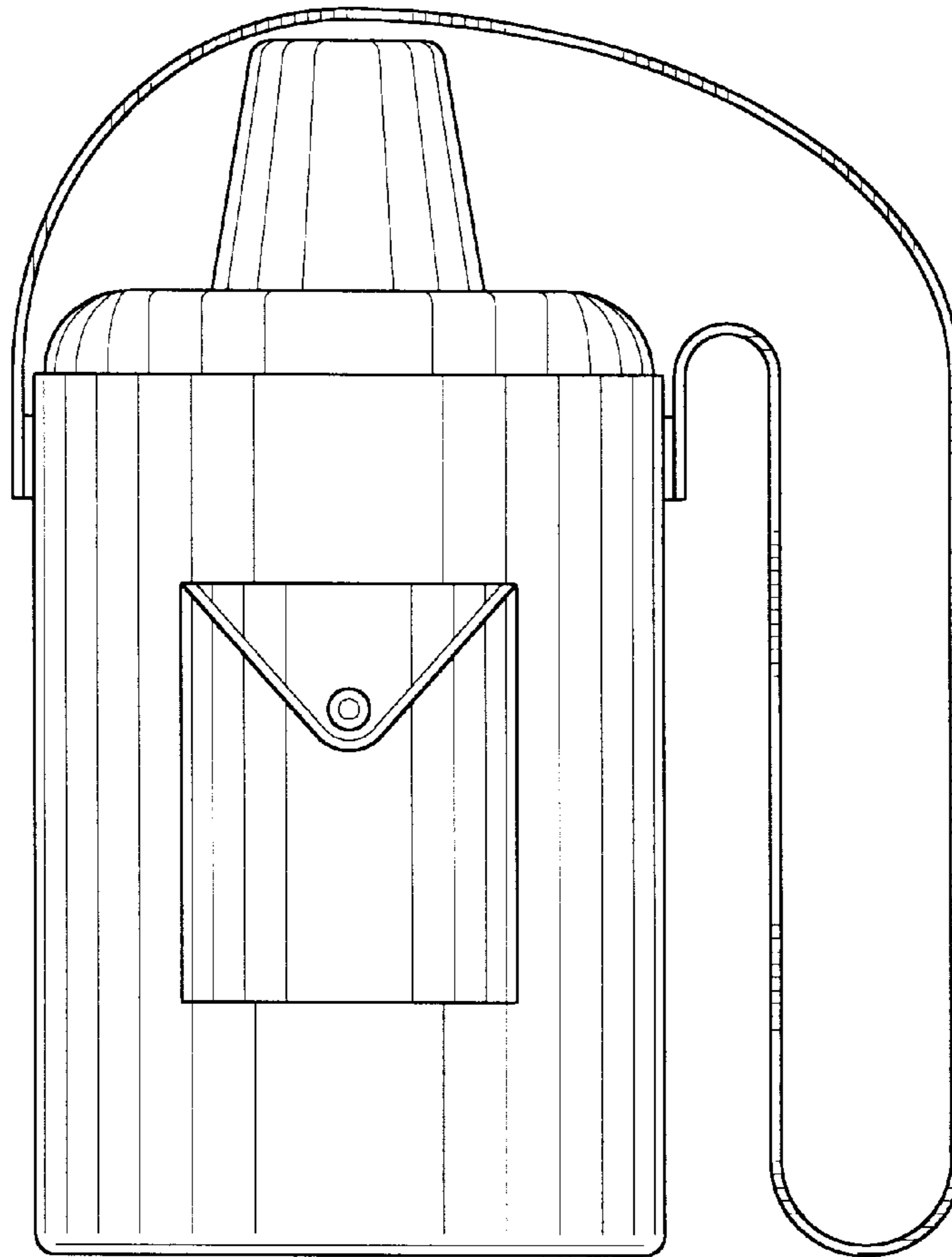
FIG. 1 is a front elevational view of the insulated beverage flask with carrying case of the present invention;  
FIG. 2 is a back elevational view of the insulated beverage flask with carrying case of FIG. 1;  
FIG. 3 is a left side elevational view of the insulated beverage flask with carrying case of FIG. 1;  
FIG. 4 is a right side elevational view of the insulated beverage flask with carrying case of FIG. 1;  
FIG. 5 is a top plan view of the insulated beverage flask with carrying case of FIG. 1; and,  
FIG. 6 is a bottom plan view of the insulated beverage flask with carrying case of FIG. 1.

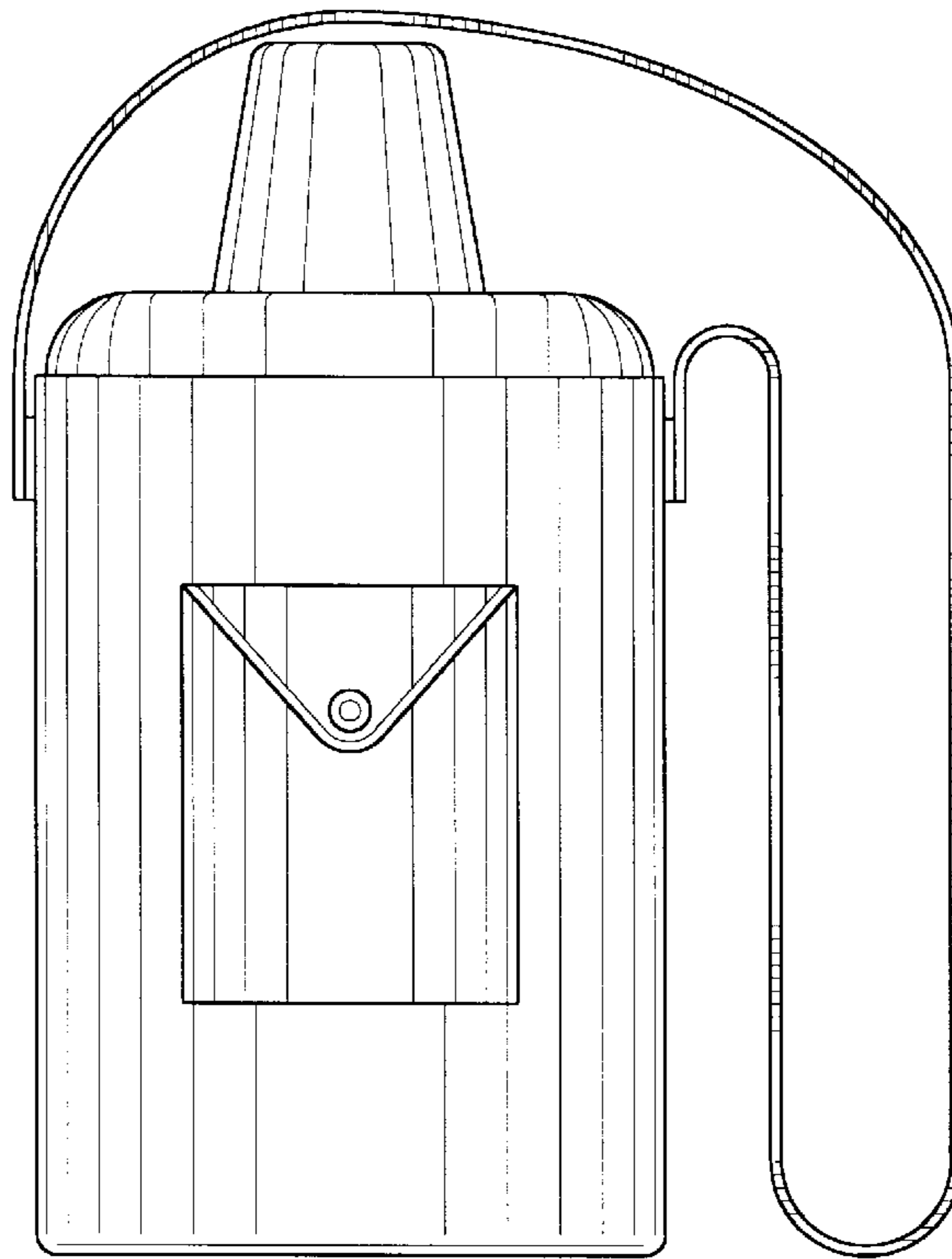
### [56] **References Cited**

#### U.S. PATENT DOCUMENTS

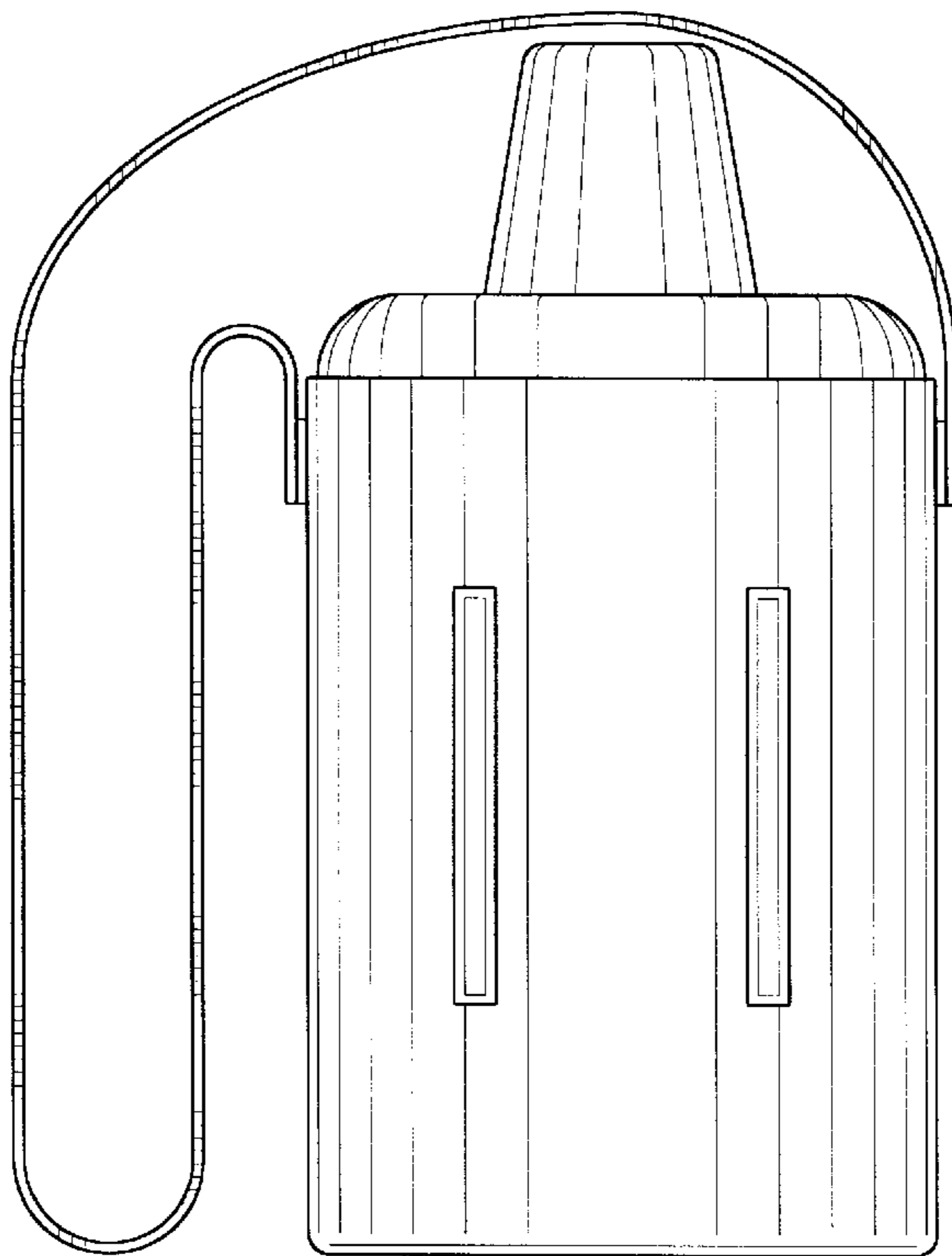
D. 325,494 4/1992 Gentry ..... D7/608  
D. 351,500 10/1994 Yang ..... D3/202  
D. 373,016 8/1996 Welsh ..... D3/202  
D. 374,975 10/1996 Vargas et al. .... D3/202

**1 Claim, 3 Drawing Sheets**

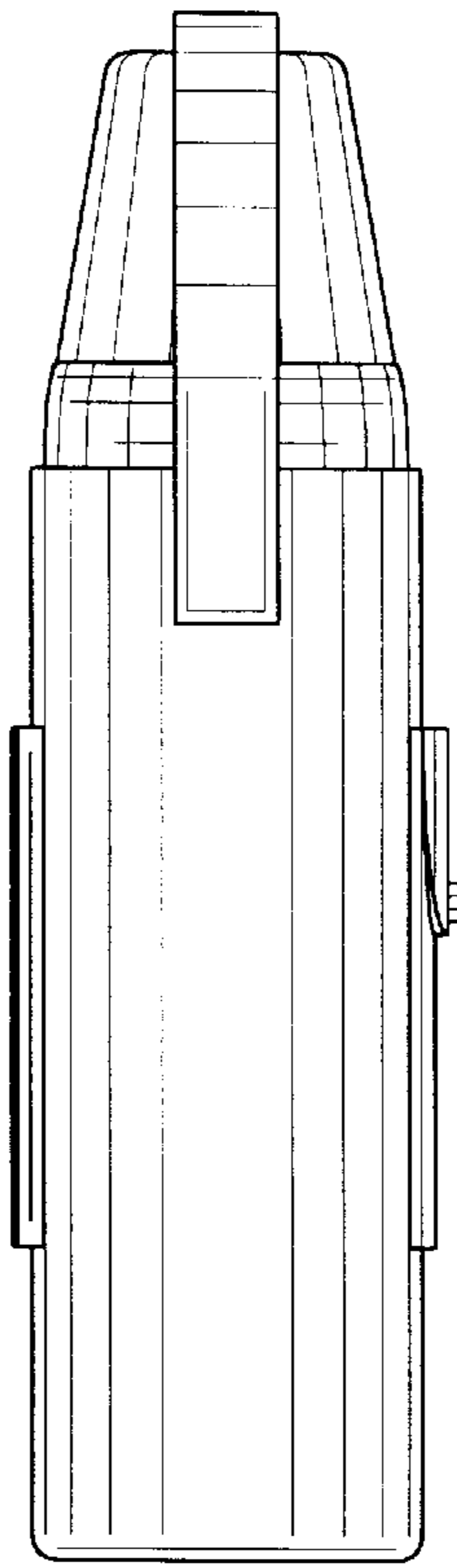




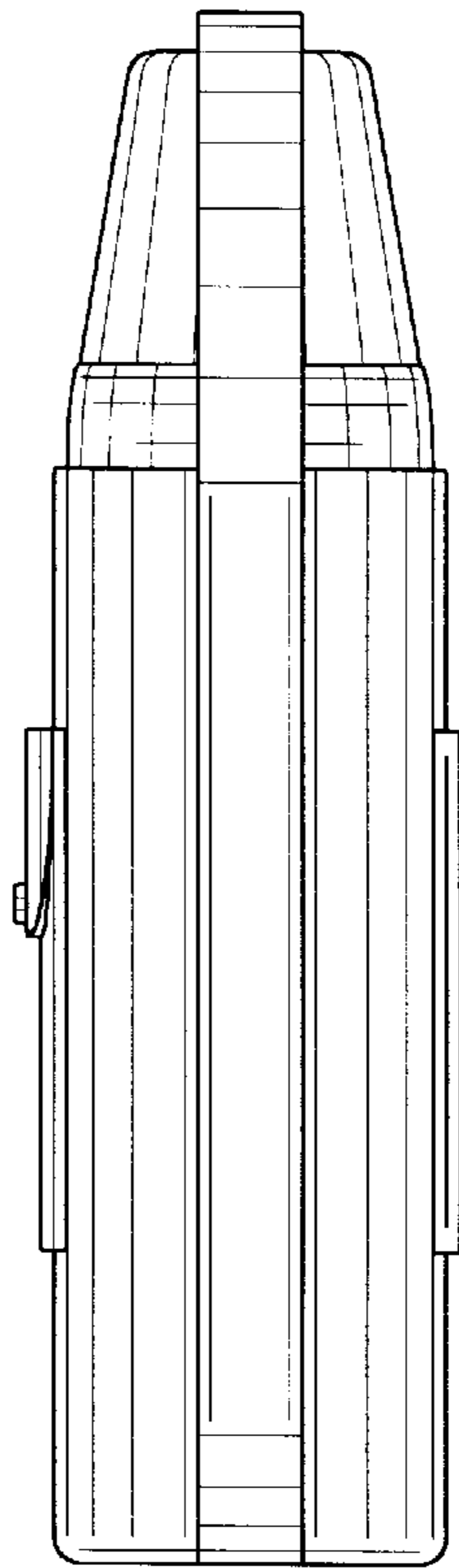
*Fig. 1*



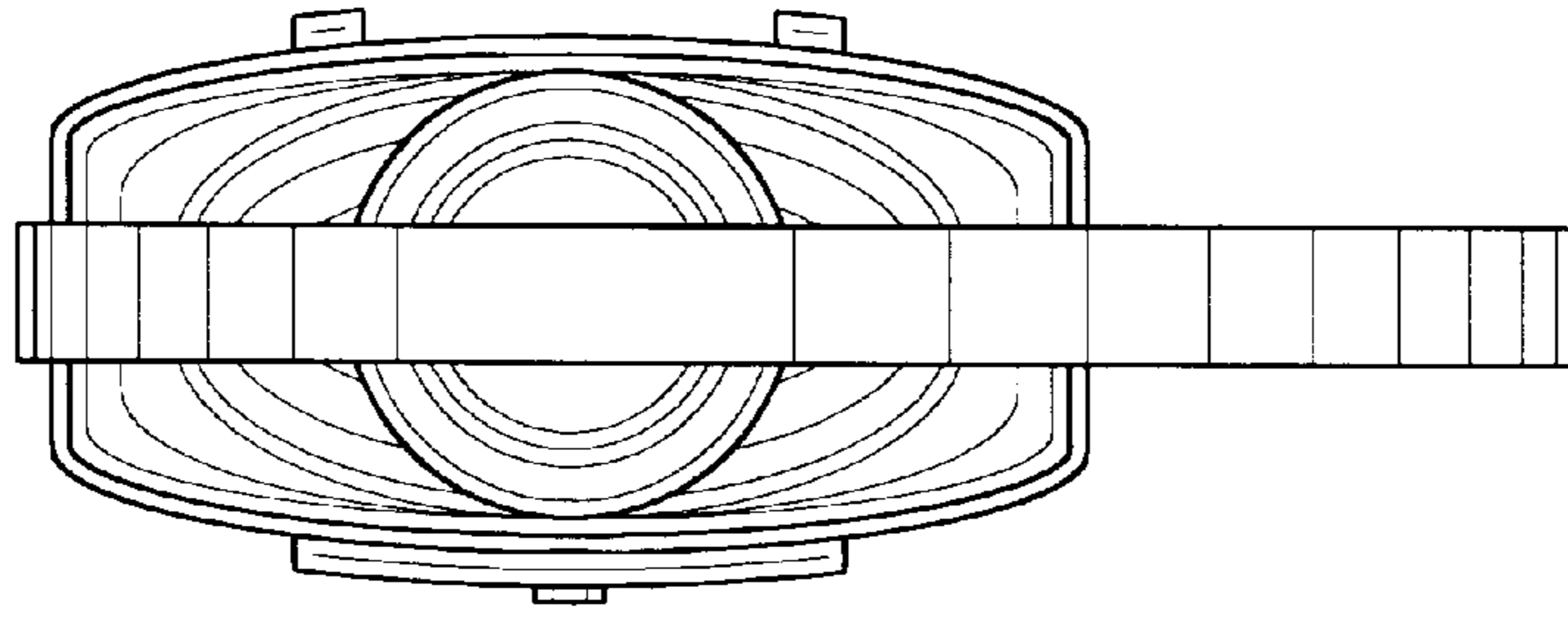
*Fig. 2*



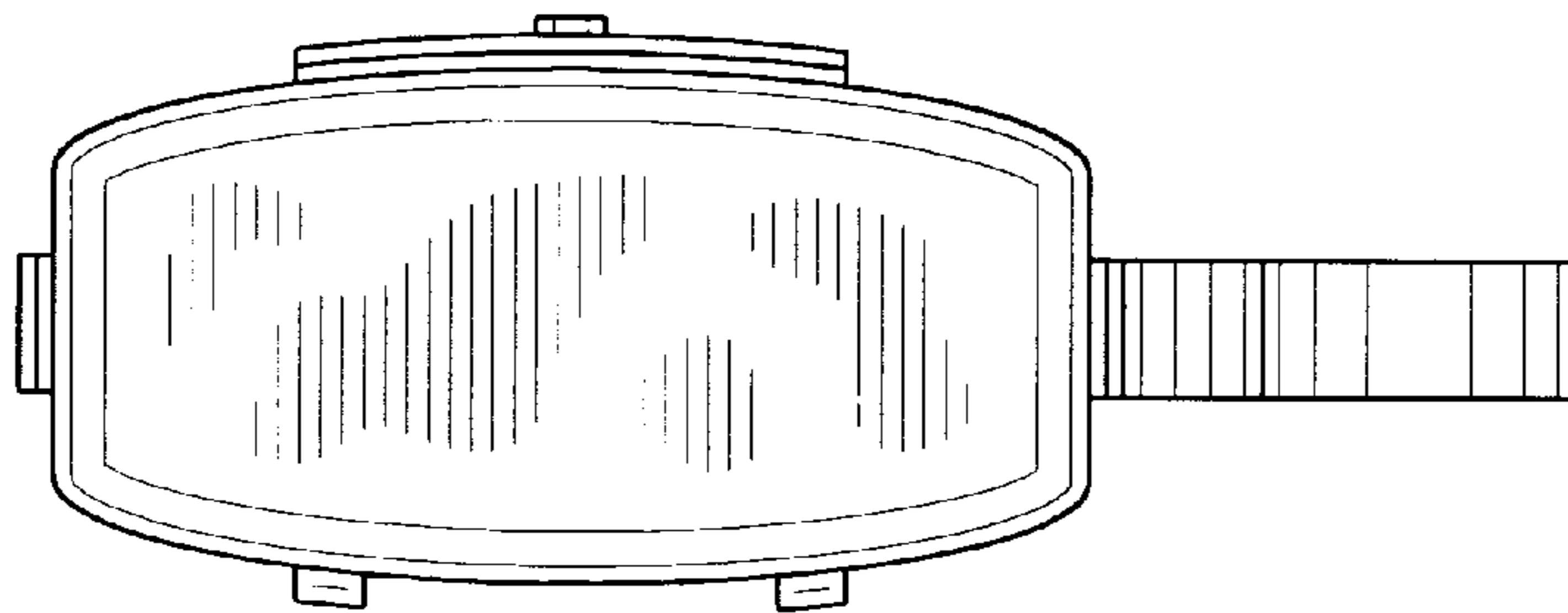
*Fig. 3*



*Fig. 4*



*Fig. 5*



*Fig. 6*