



US00D408622S

# United States Patent [19] Fletcher

[11] **Patent Number: Des. 408,622**

[45] **Date of Patent: \*\*Apr. 27, 1999**

[54] **CHILD'S CANTEEN SPORTS BOTTLE**

D. 398,478	9/1998	Spencer .....	D7/510
D. 398,479	9/1998	Vultaggio et al. ....	D7/533
4,852,762	8/1989	Chou-Sheng .....	220/709

[76] Inventor: **Tim Pinckney Fletcher**, 701 Park Bridge, NW., Acworth, Ga. 30101

*Primary Examiner*—Dominic Simone

[\*\*] Term: **14 Years**

### [57] CLAIM

[21] Appl. No.: **29/070,396**

The ornamental design of the child's canteen sports bottle, as shown and described.

[22] Filed: **Apr. 30, 1997**

### DESCRIPTION

[51] **LOC (6) Cl.** ..... **03-01**

[52] **U.S. Cl.** ..... **D3/202; D7/510**

[58] **Field of Search** ..... D3/202; D7/510, D7/511, 533, 131; 222/544, 556, 567; 215/229, 388; 220/709; 224/148.1

FIG. 1 is a perspective view of the child's canteen sports bottle showing my new design; FIG. 2 is a front view thereof; FIG. 3 is a left side view thereof; FIG. 4 is a top plan view thereof; and, FIG. 5 is a bottom view thereof.

### [56] References Cited

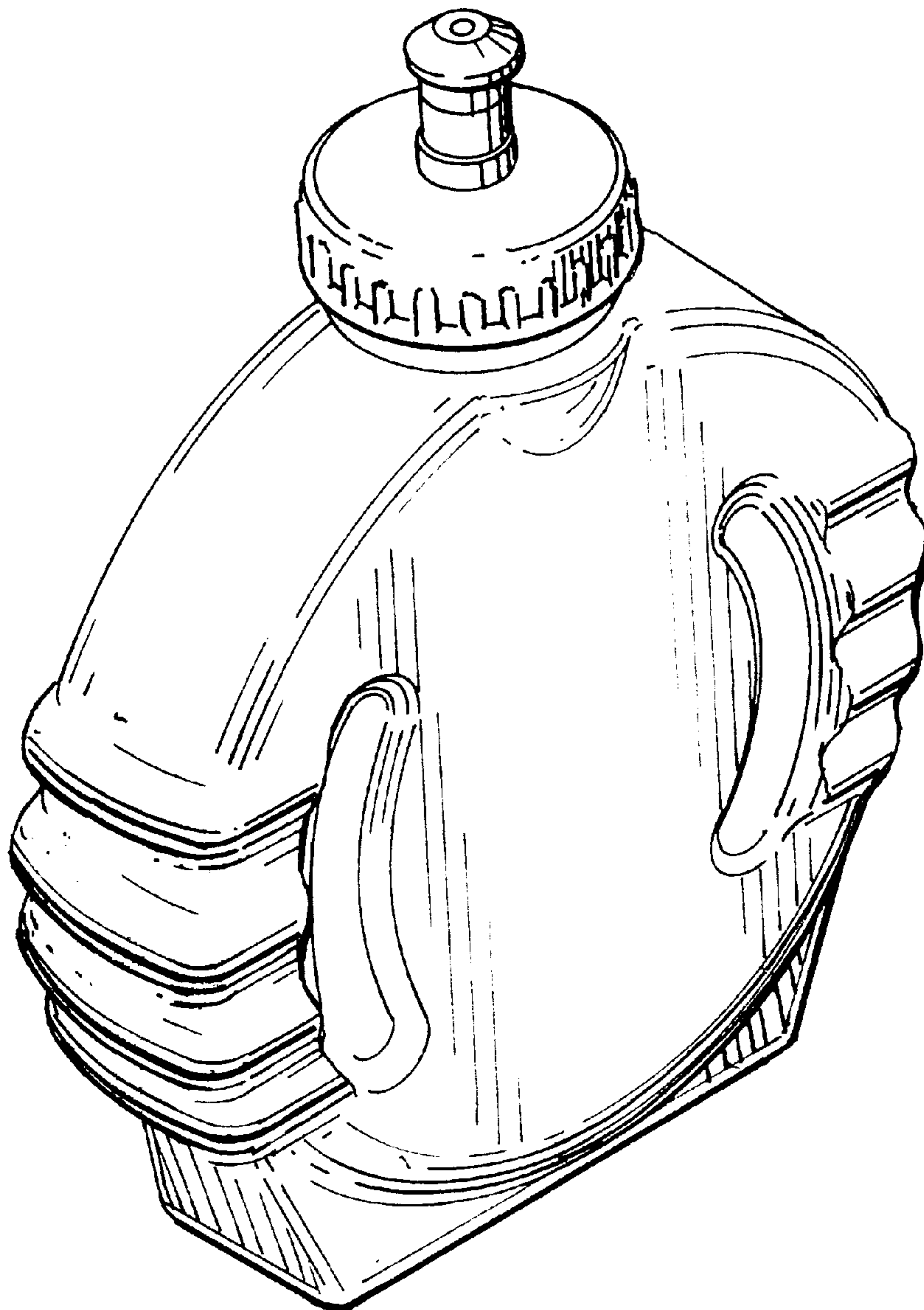
The rear view is a mirror image of the front view.

The right side view is a mirror image of the left side view.

#### U.S. PATENT DOCUMENTS

D. 187,245	2/1960	Thompson, Jr. ....	D3/202
D. 326,228	5/1992	Stratford et al. ....	D3/202 X

**1 Claim, 2 Drawing Sheets**



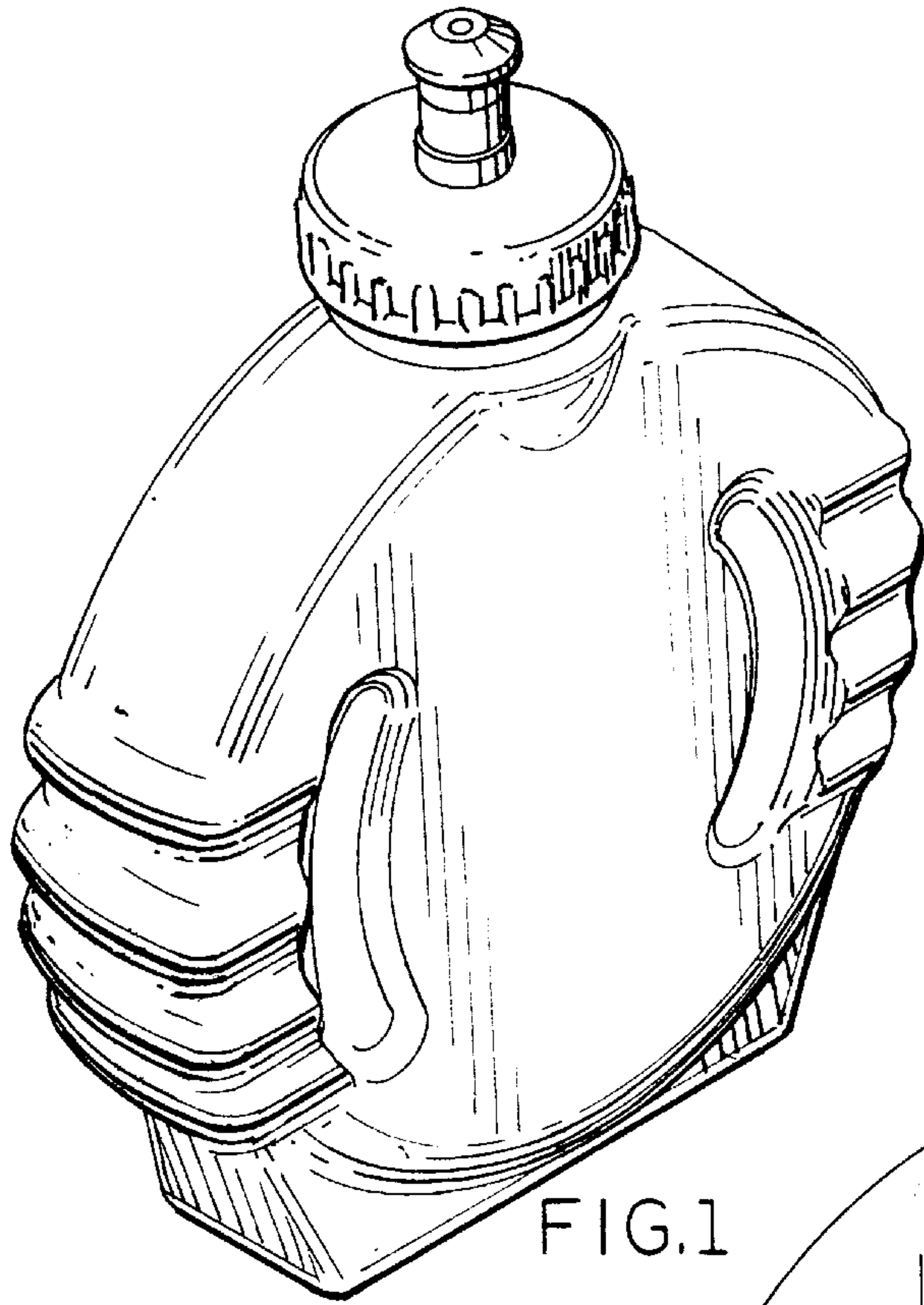


FIG.1

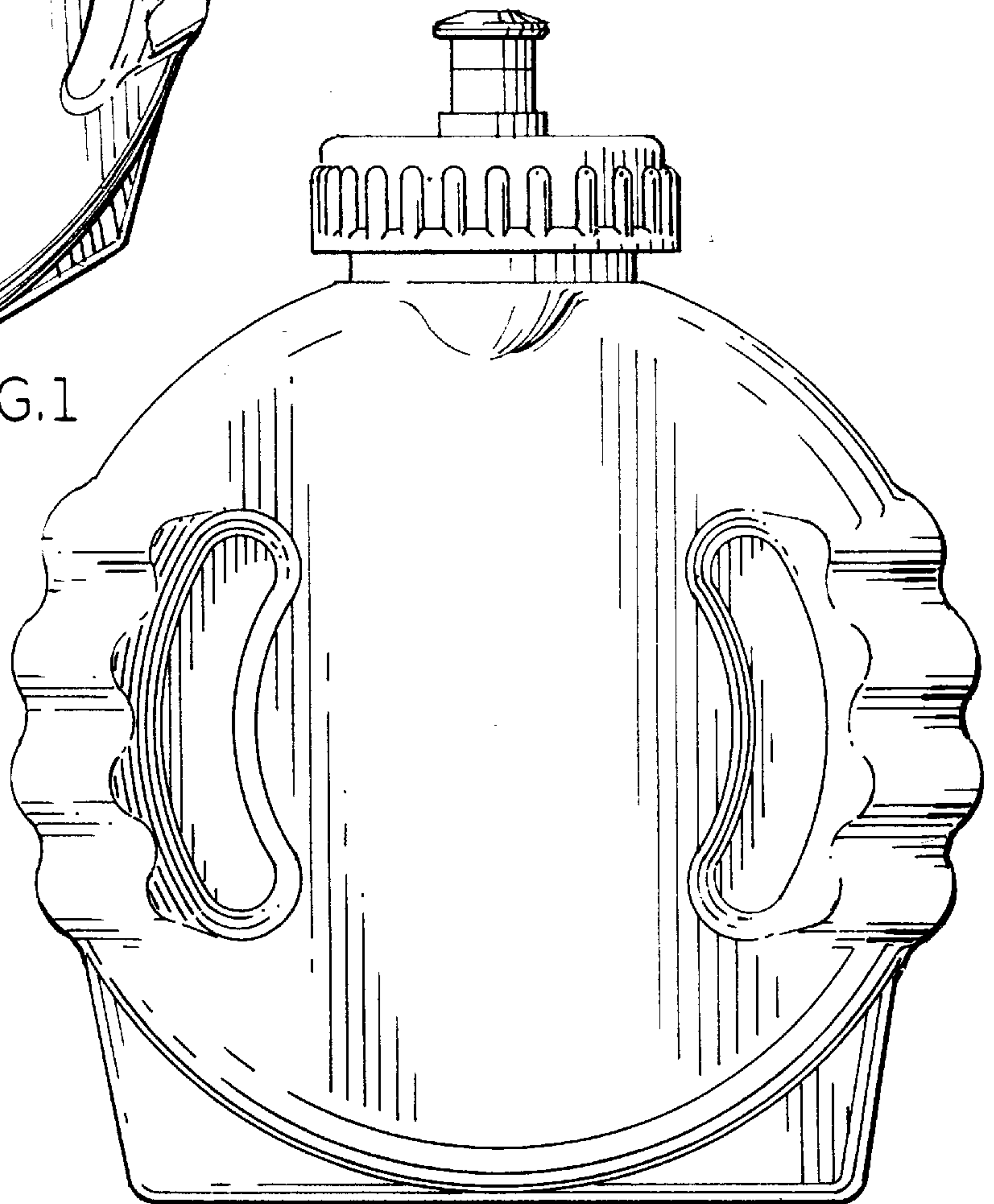


FIG.2

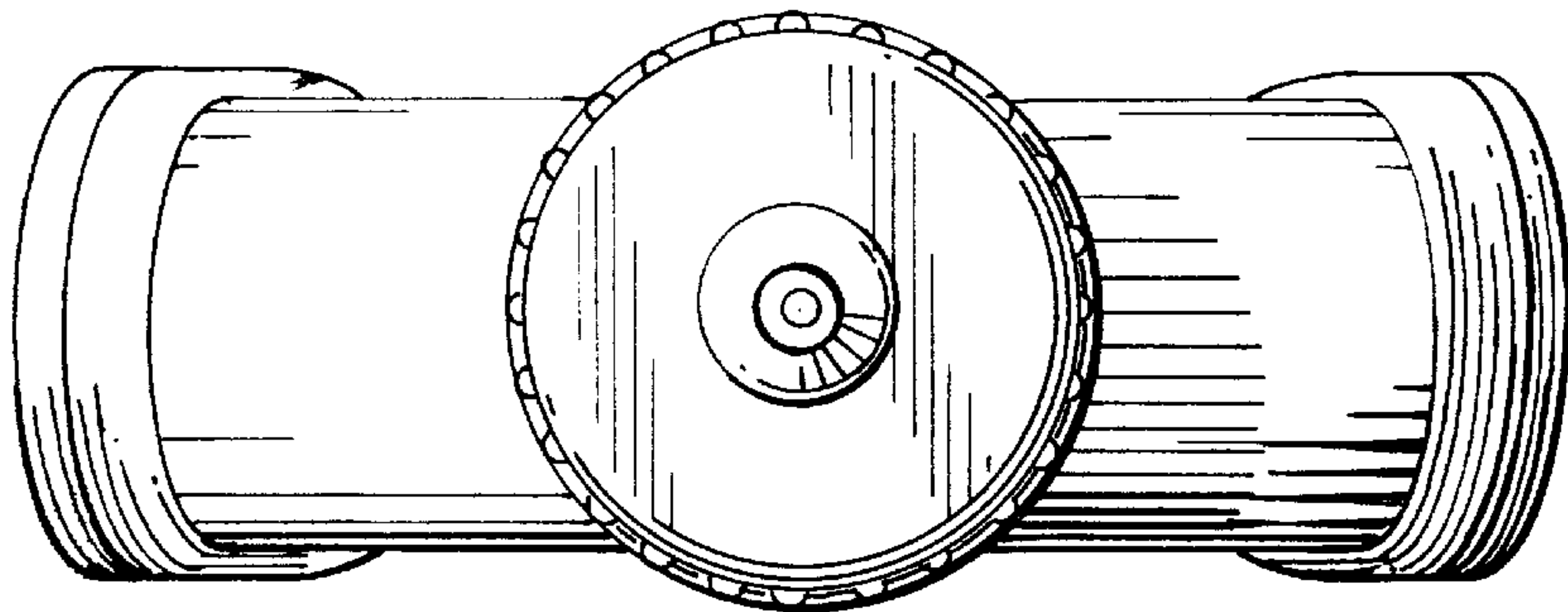


FIG. 4

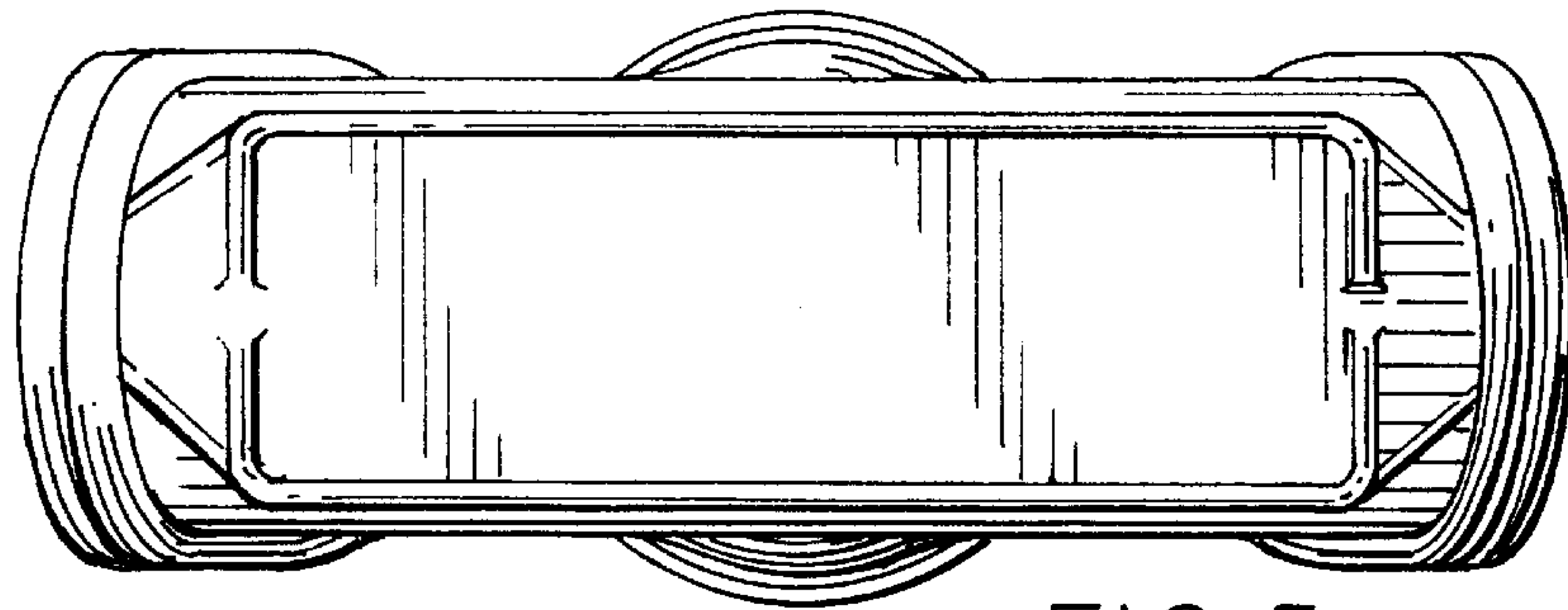


FIG. 5

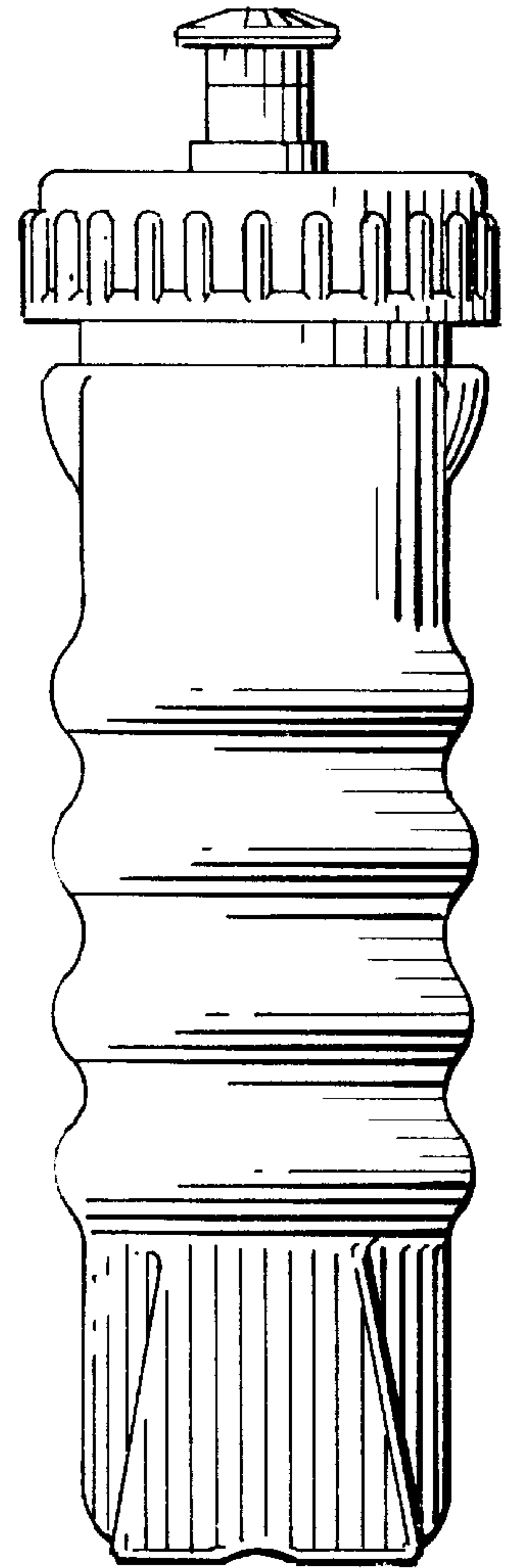


FIG. 3