



US00D408611S

# United States Patent [19]

[11] Patent Number: Des. 408,611

Vuocolo et al.

[45] Date of Patent: \*\*Apr. 20, 1999

## [54] BURIAL CRYPT LINER

[76] Inventors: **Giuseppina Galiano Vuocolo**, 28 Leyland Road, Mt Waverley 3149 Victoria; **Antonio Villani**, 2 Lauren Drive, Hampton Park 3976 Victoria, both of Australia

[\*\*] Term: 14 Years

[21] Appl. No.: 29/077,888

[22] Filed: Oct. 10, 1997

### [30] Foreign Application Priority Data

May 20, 1997 [AU] Australia ..... 156197

[51] LOC (6) Cl. .... 19-00

[52] U.S. Cl. .... D99/17; D99/20

[58] Field of Search ..... D99/1, 5, 8, 10, D99/17, 18, 19, 20; 27/1, 29, 6, 7, 30; 52/134, 128, 135, 136; 20/484

## [56] References Cited

### U.S. PATENT DOCUMENTS

825,680	7/1906	Williams	220/484
1,691,568	11/1928	Gorman	52/131
2,064,538	12/1936	Hagan	228/484
3,263,853	8/1966	Smith	220/484
4,570,812	2/1986	Curtis	220/484
4,607,417	8/1986	Hancousky	27/1
5,287,603	2/1994	Schorman	27/1
5,408,787	4/1995	Barnett	52/134

Primary Examiner—Paula A. Mortimer  
Attorney, Agent, or Firm—D. Peter Hochberg

## [57] CLAIM

The ornamental design for a burial crypt liner, as shown and described.

### DESCRIPTION

FIG. 1 is a front perspective view of a burial crypt liner embodying our new design as shown from above;

FIG. 2 is a rear perspective view of the burial crypt liner shown in FIG. 1 as shown from below;

FIG. 3 is a plan view of the burial crypt liner shown in FIG. 1;

FIG. 4 is a side view of the burial crypt liner shown in FIG. 1;

FIG. 5 is a front view of the burial crypt liner shown in FIG. 1;

FIG. 6 is a rear view of the burial crypt liner shown in FIG. 1;

FIG. 7 is a front perspective view of a modified burial crypt liner as shown from above;

FIG. 8 is a rear perspective view of the burial crypt liner shown in FIG. 7 as shown from below;

FIG. 9 is a plan view of the burial crypt liner shown in FIG. 7;

FIG. 10 is a side view of the burial crypt liner shown in FIG. 7;

FIG. 11 is a front view of the burial crypt liner shown in FIG. 7;

FIG. 12 is a rear view of the burial crypt liner shown in FIG. 7;

FIG. 13 is a front perspective view of a second modified burial crypt liner as shown from above;

FIG. 14 is a rear perspective view of the burial crypt liner shown in FIG. 13 as shown from below;

FIG. 15 is a plan view of the burial crypt liner shown in FIG. 13;

FIG. 16 is a side view of the burial crypt liner shown in FIG. 13;

FIG. 17 is a front view of the burial crypt liner shown in FIG. 13;

FIG. 18 is a rear view of the burial crypt liner shown in FIG. 13;

FIG. 19 is a front perspective view of a third modified burial crypt liner as shown from above;

FIG. 20 is a rear perspective view of the burial crypt liner as shown in FIG. 19 from below;

FIG. 21 is a plan view of the burial crypt liner shown in FIG. 19;

FIG. 22 is a side view of the burial crypt liner shown in FIG. 19;

FIG. 23 is a front view of the burial crypt liner shown in FIG. 19;

FIG. 24 is a rear view of the burial crypt liner shown in FIG. 19;

FIG. 25 is a front perspective view of a fourth modified burial crypt liner as shown from above;

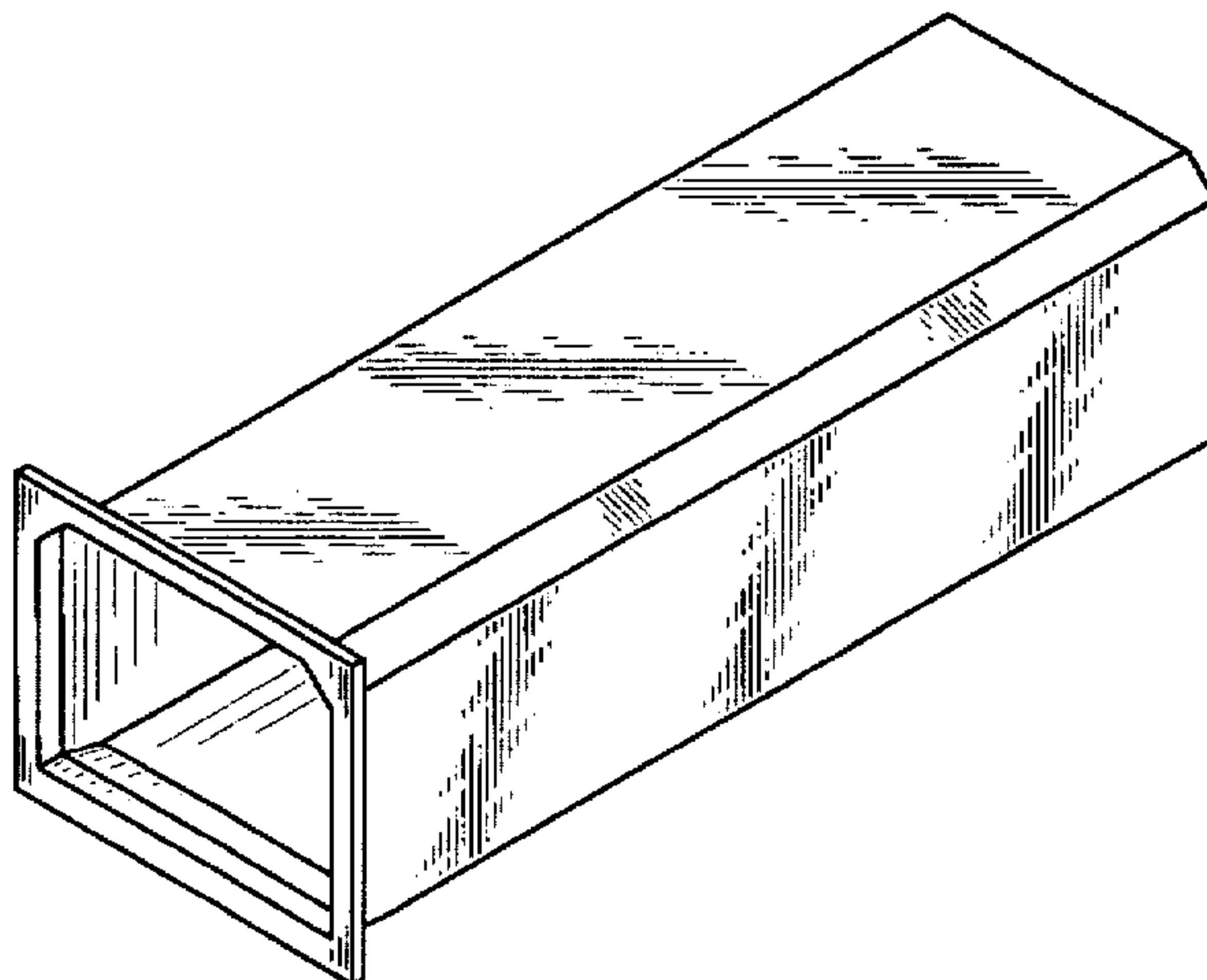


FIG. 26 is a rear perspective view of the burial crypt liner as shown in FIG. 25 as shown from below;

FIG. 27 is a side view of the burial crypt liner shown in FIG. 25;

FIG. 28 is a front view of the burial crypt liner shown in FIG. 25;

FIG. 29 is a rear view of the burial crypt liner shown in FIG. 25;

FIG. 30 is a front perspective view of the burial crypt liner shown in FIG. 25 as shown from above;

FIG. 31 is a rear perspective view of the burial crypt liner shown in FIG. 25 as shown from below;

FIG. 32 is a side view of the burial crypt liner shown in FIG. 25;

FIG. 33 is a front view of the burial crypt liner shown in FIG. 25; and,

FIG. 34 is a rear view of the burial crypt liner shown in FIG. 25.

**1 Claim, 12 Drawing Sheets**

FIG-1

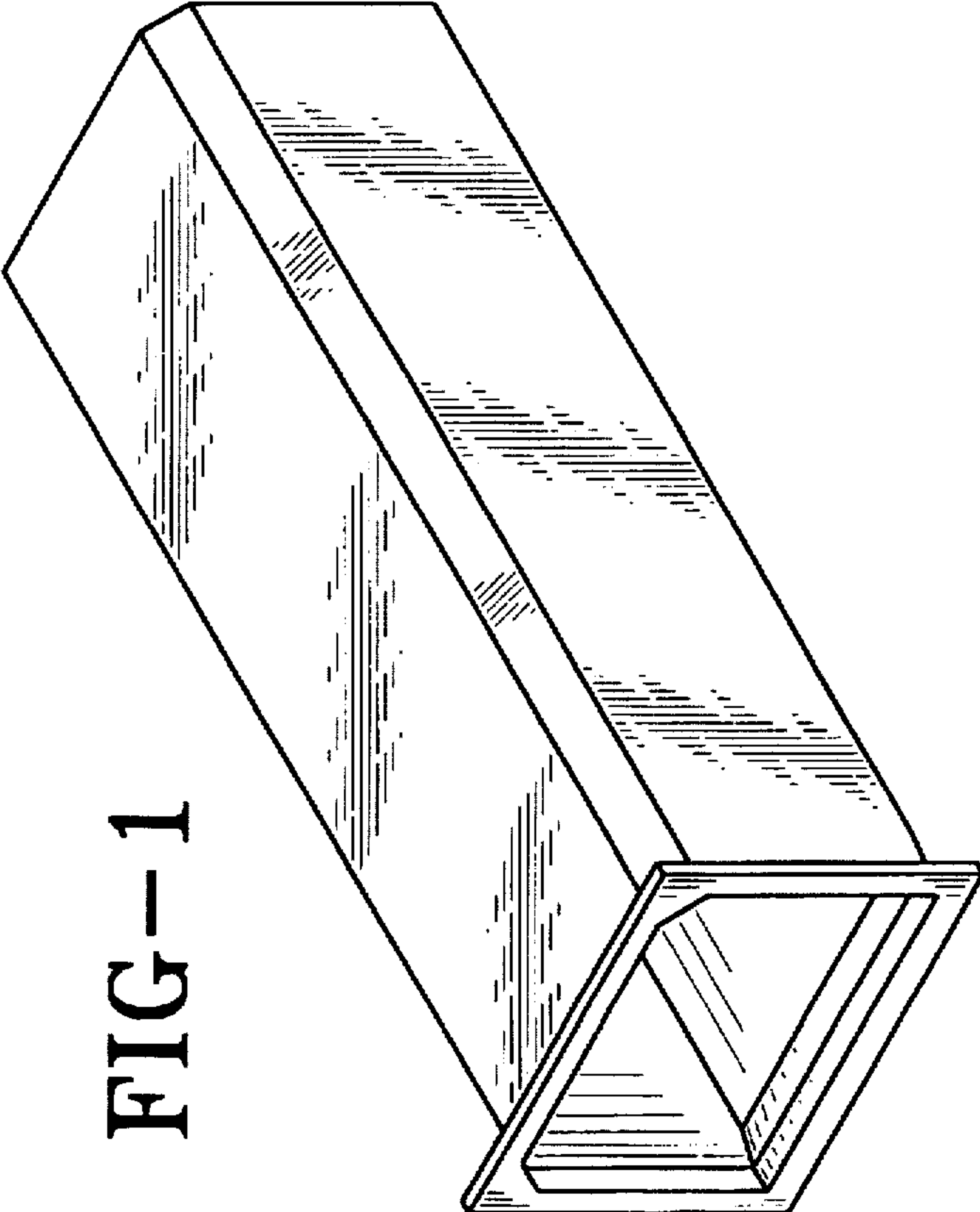


FIG-2

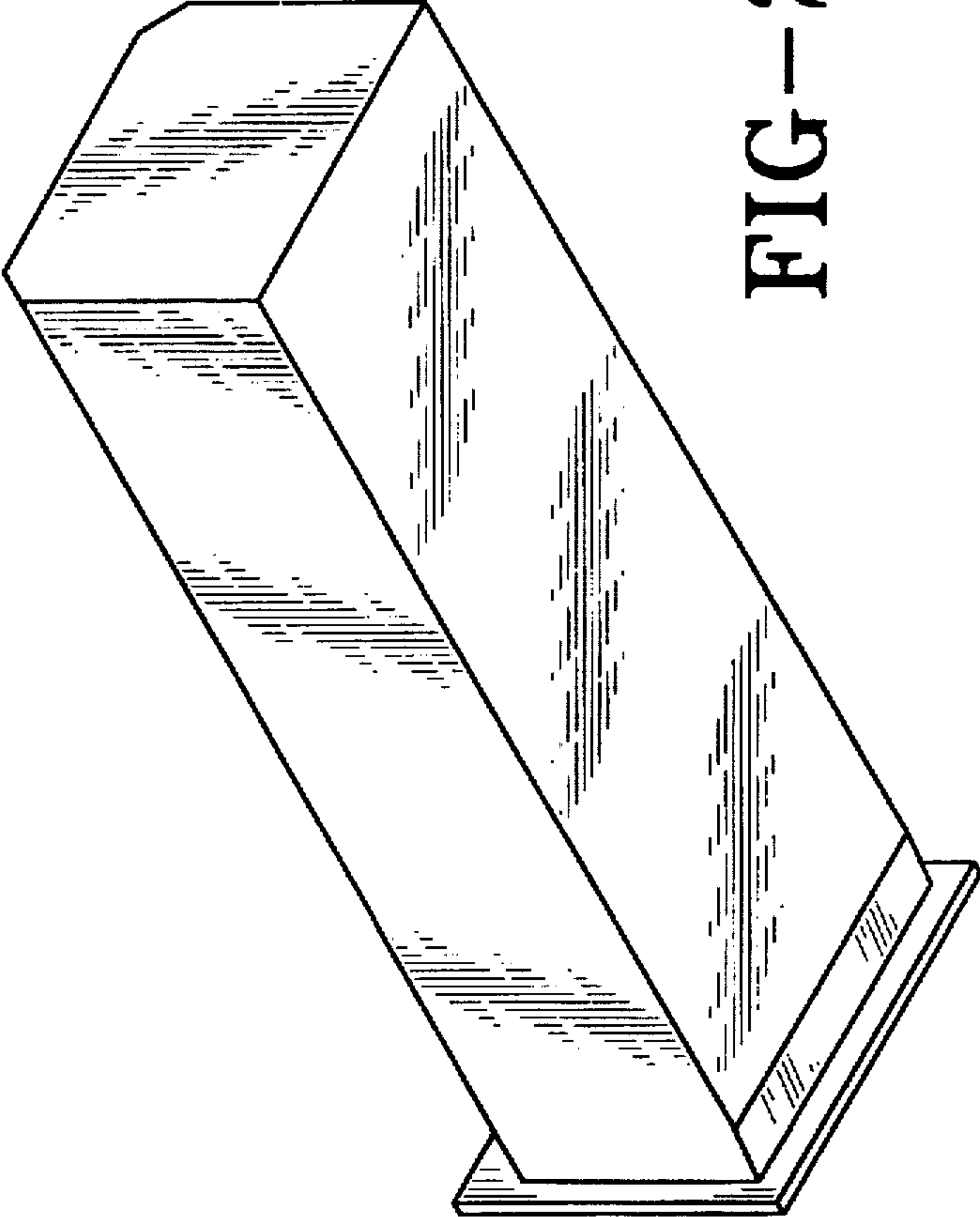


FIG-3

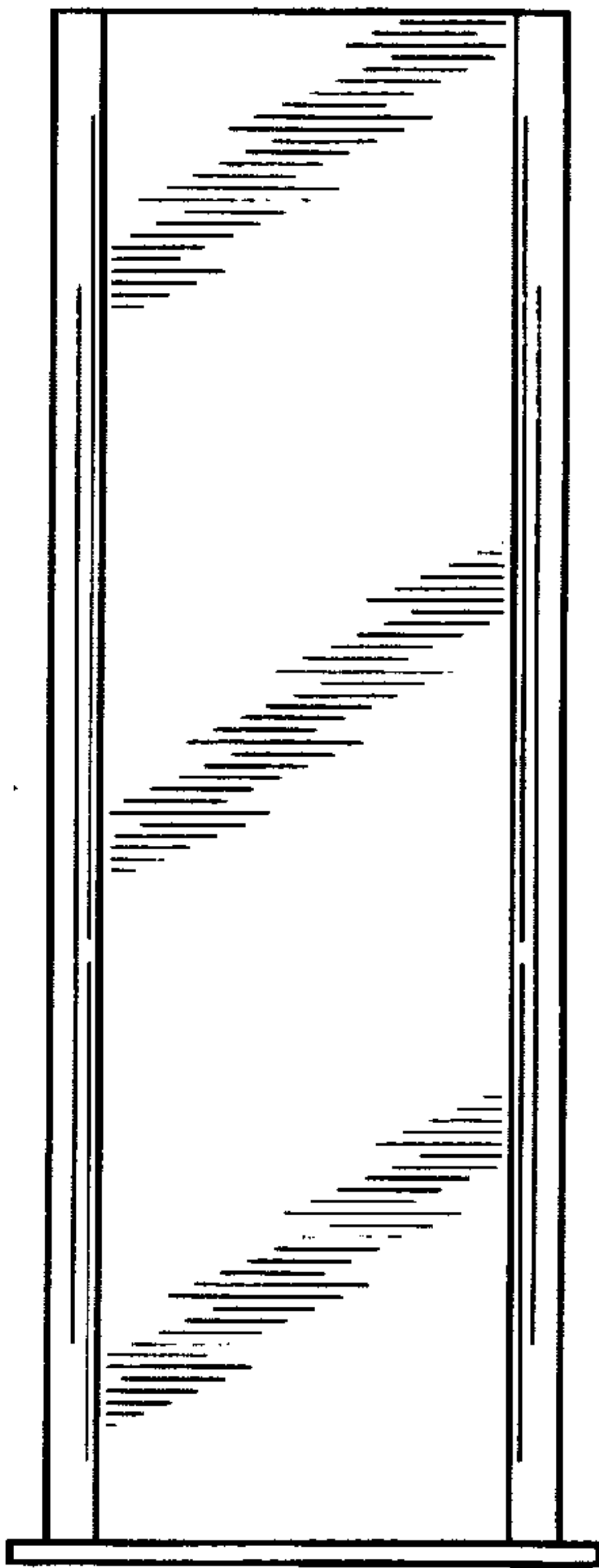


FIG-4

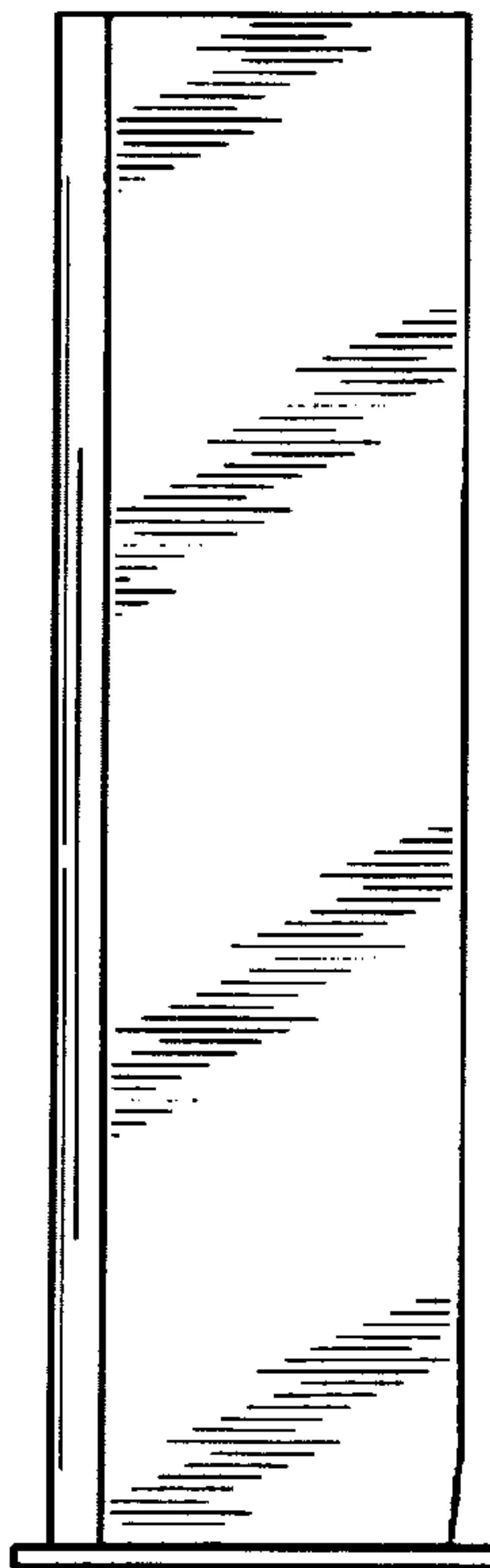


FIG-6

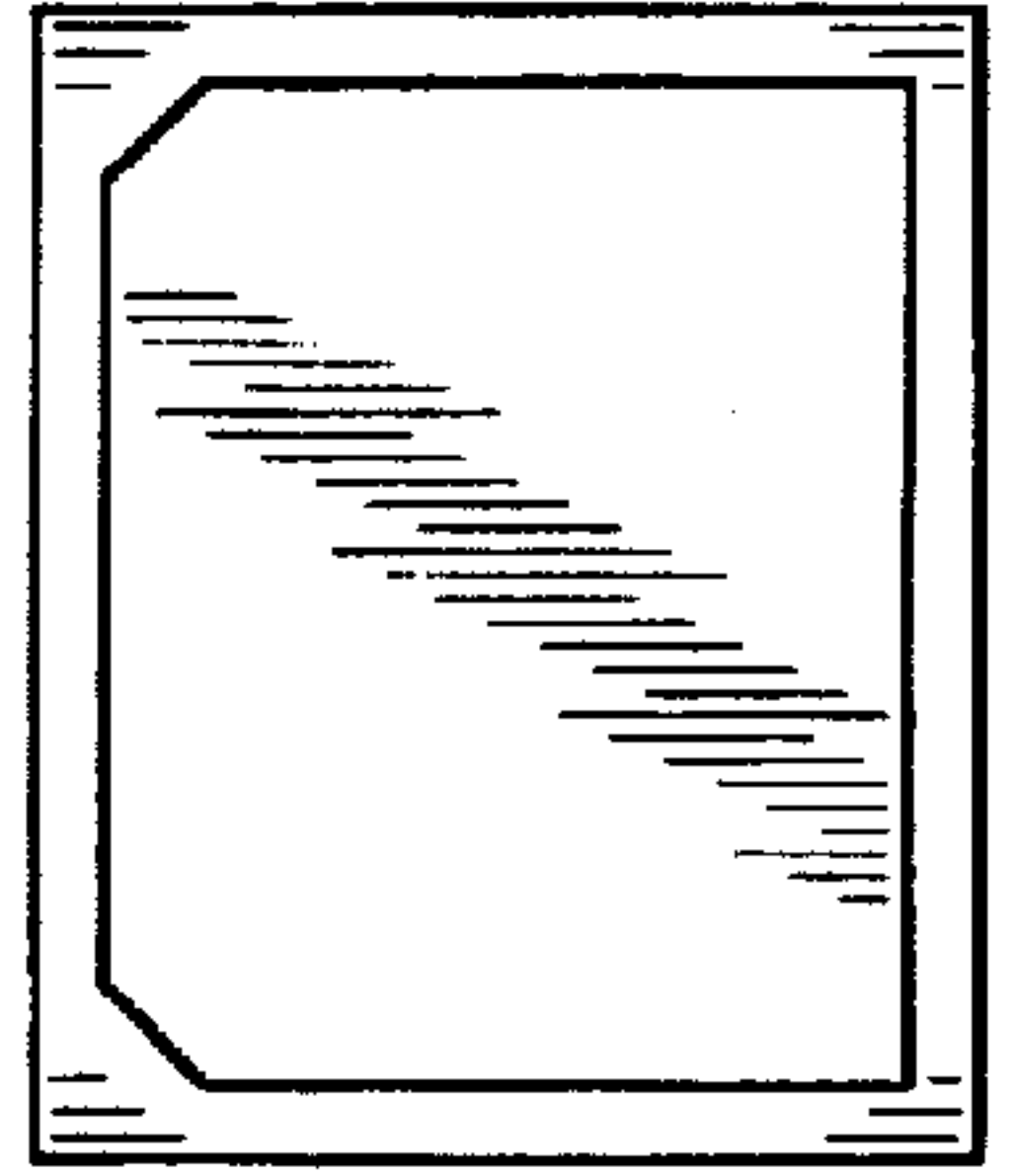
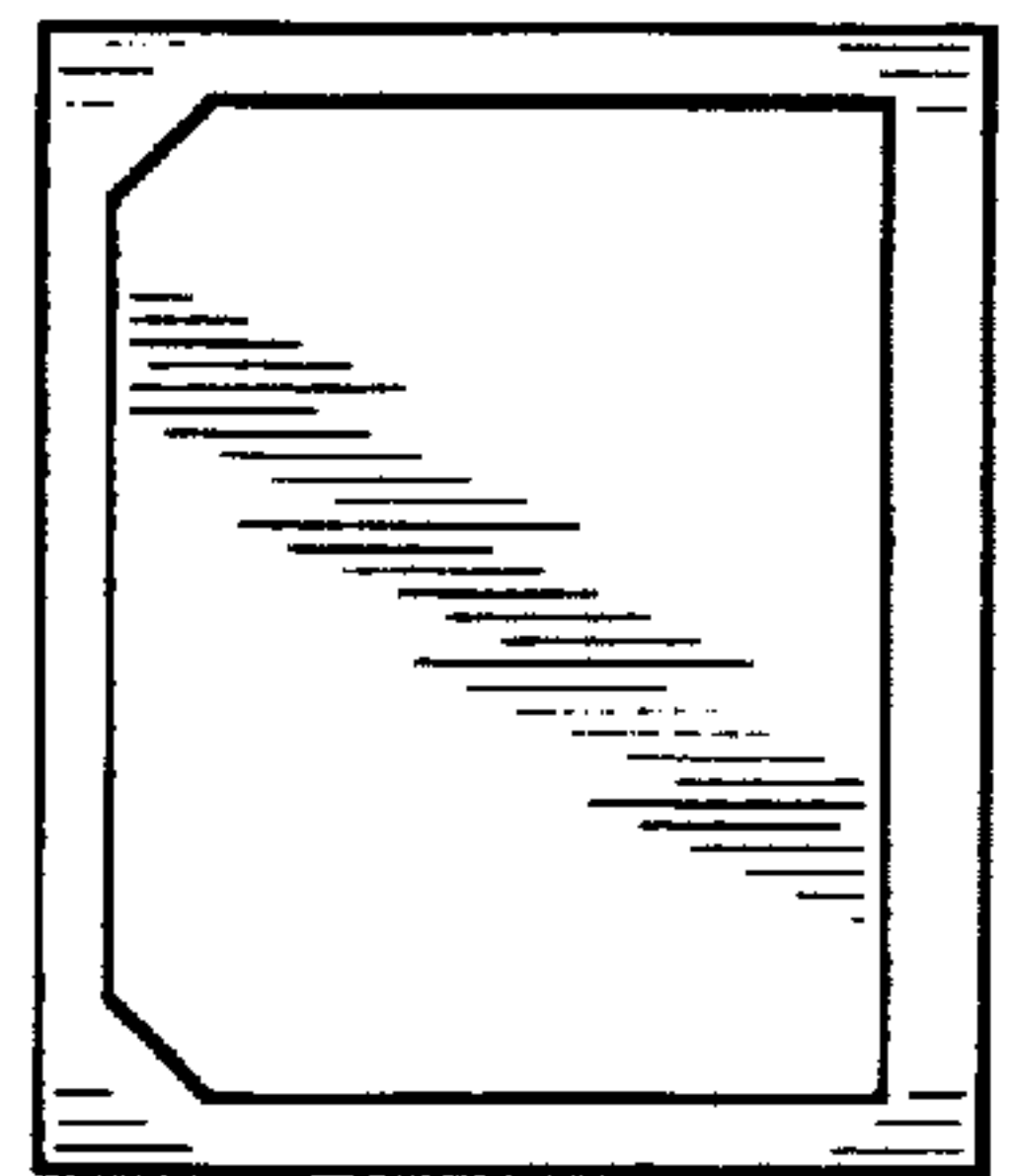


FIG-5





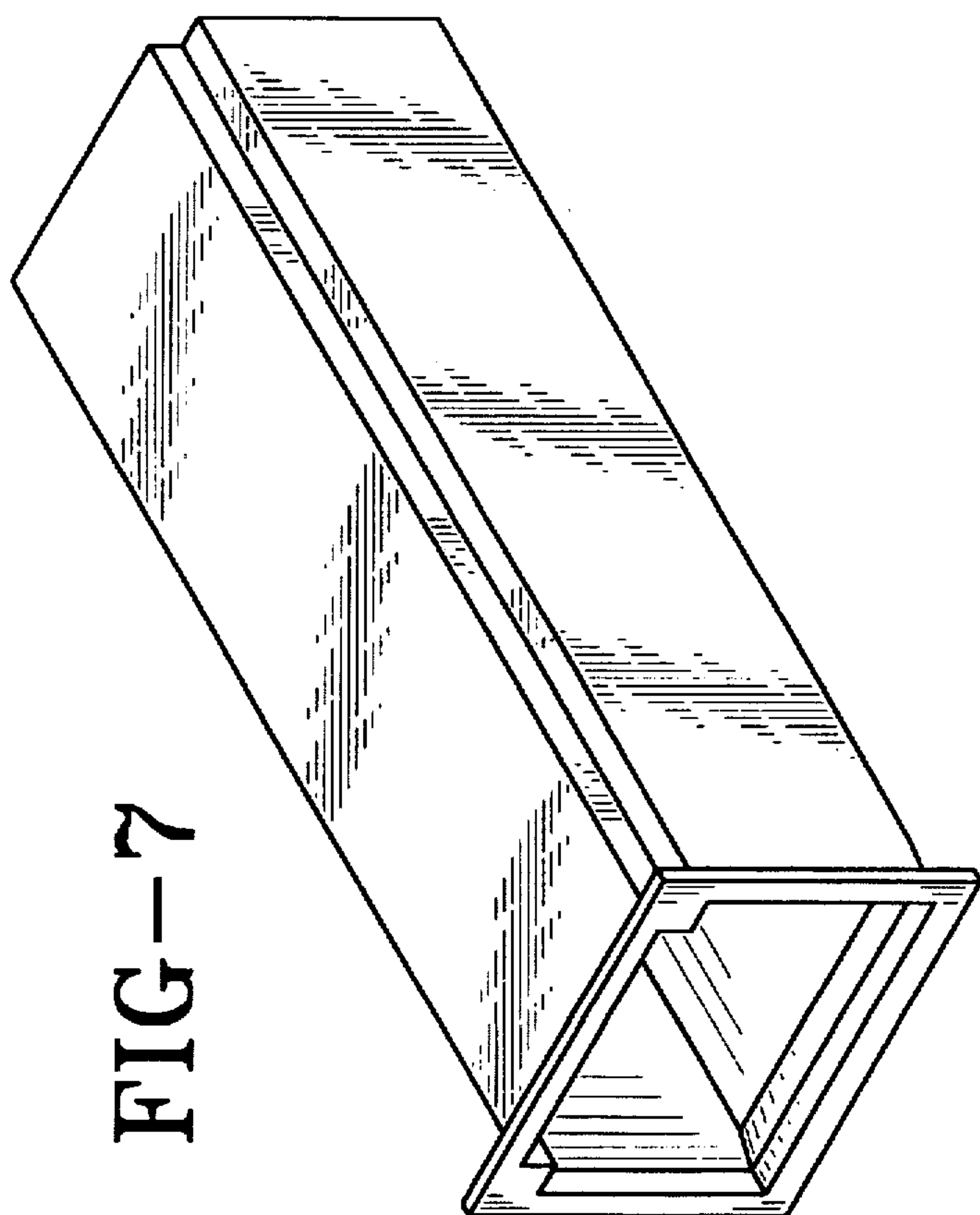


FIG-7

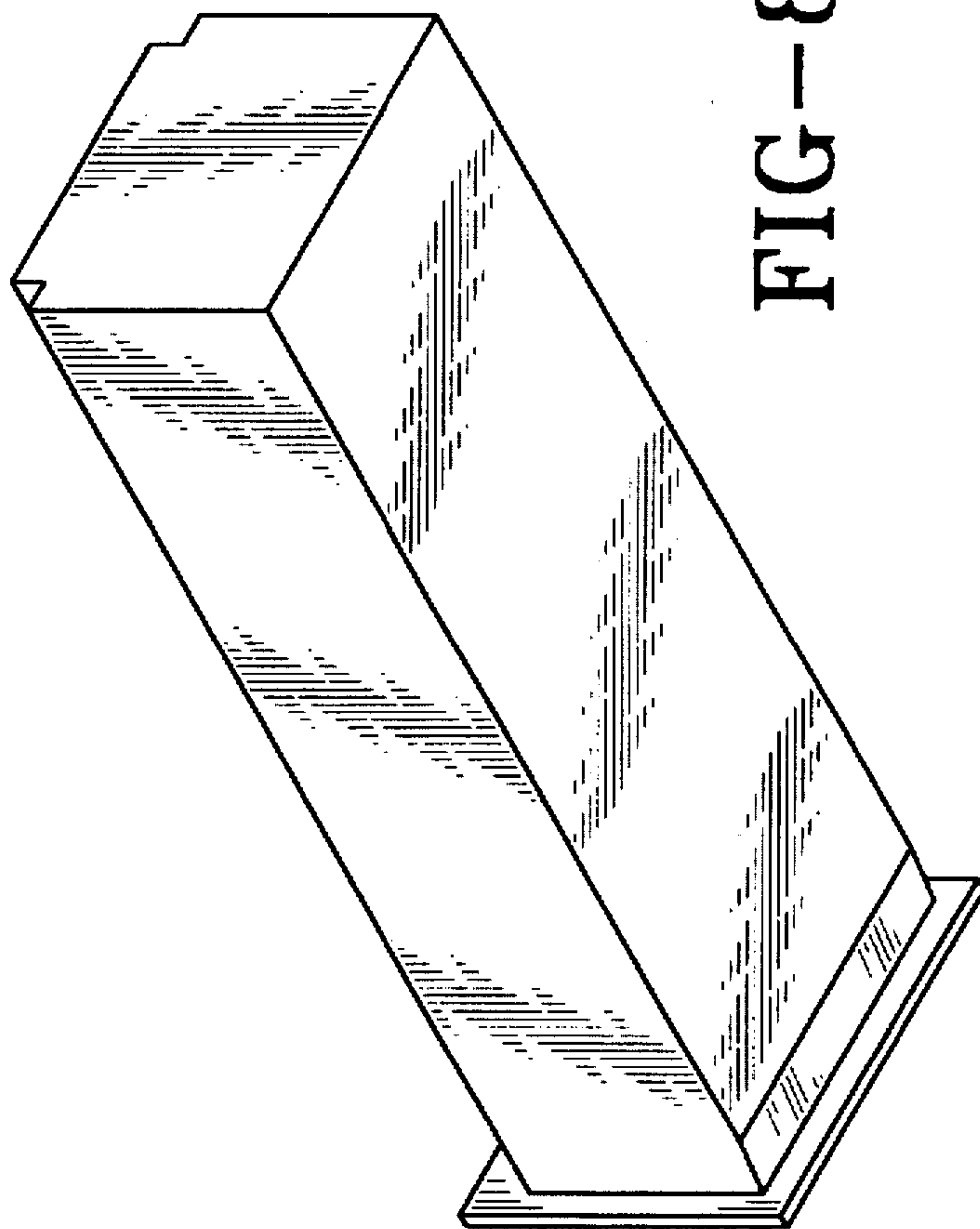


FIG-8

FIG-9

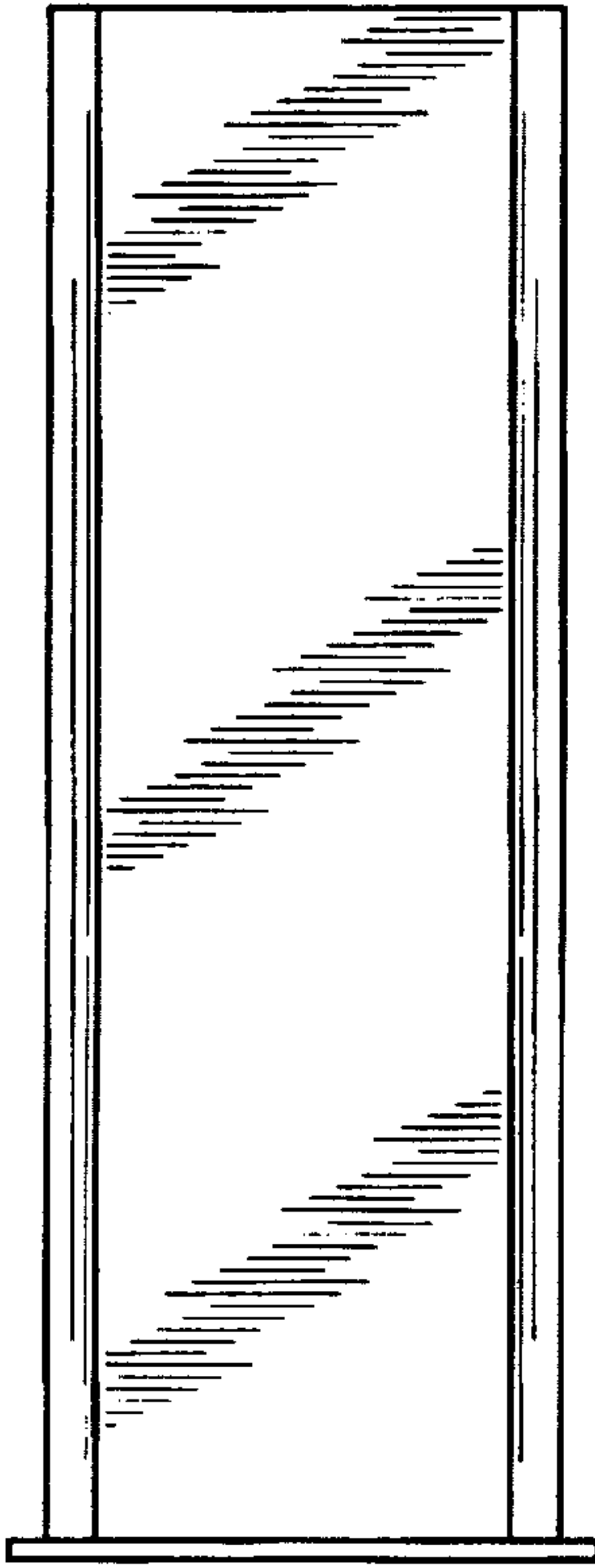


FIG-10

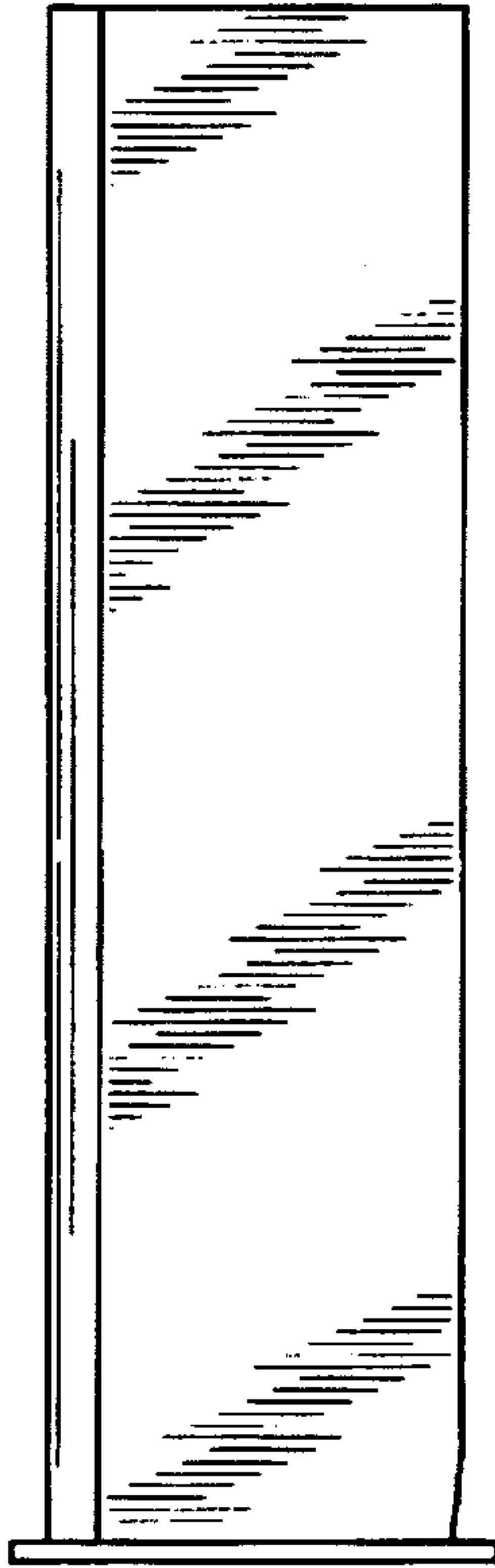


FIG-12

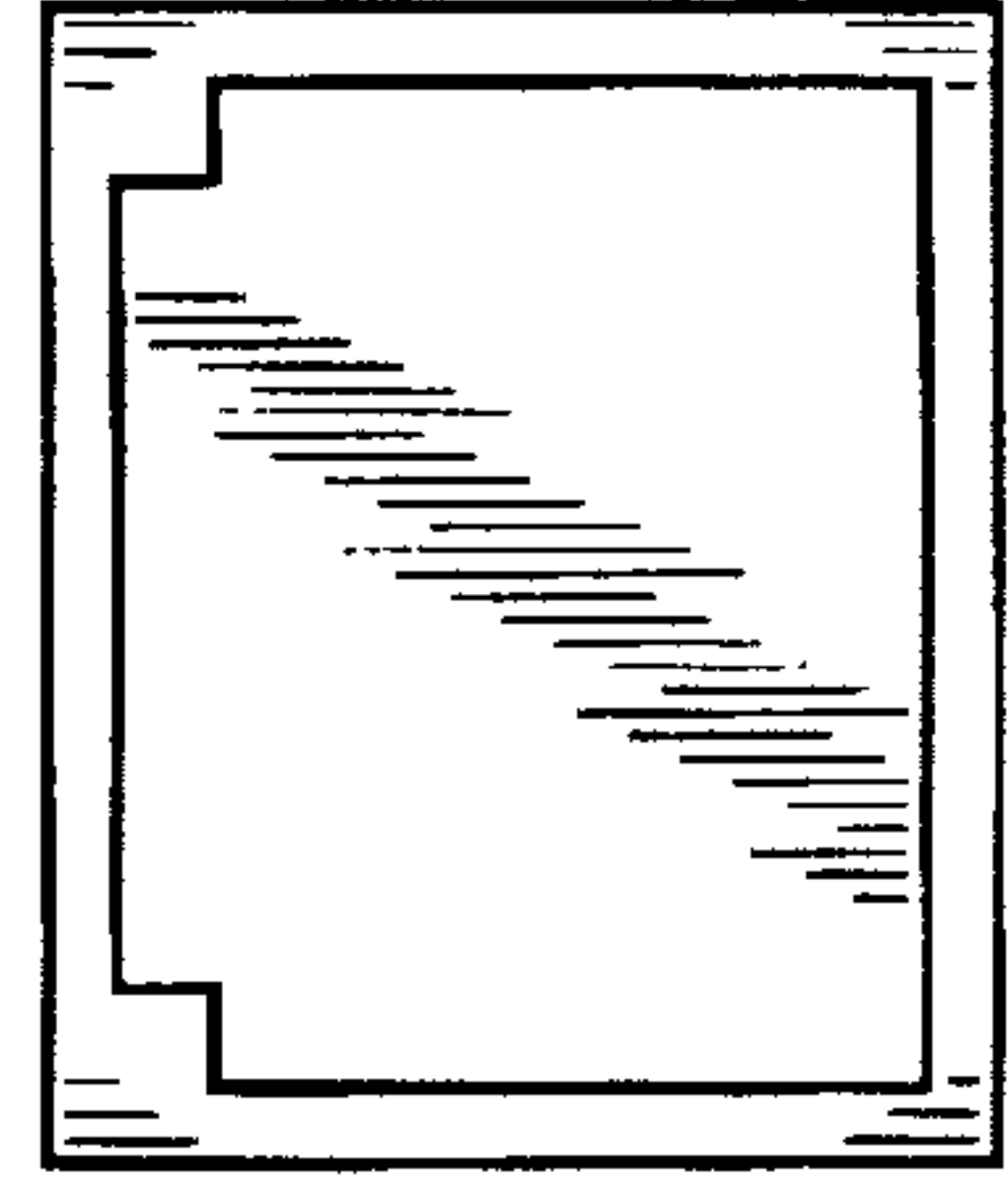
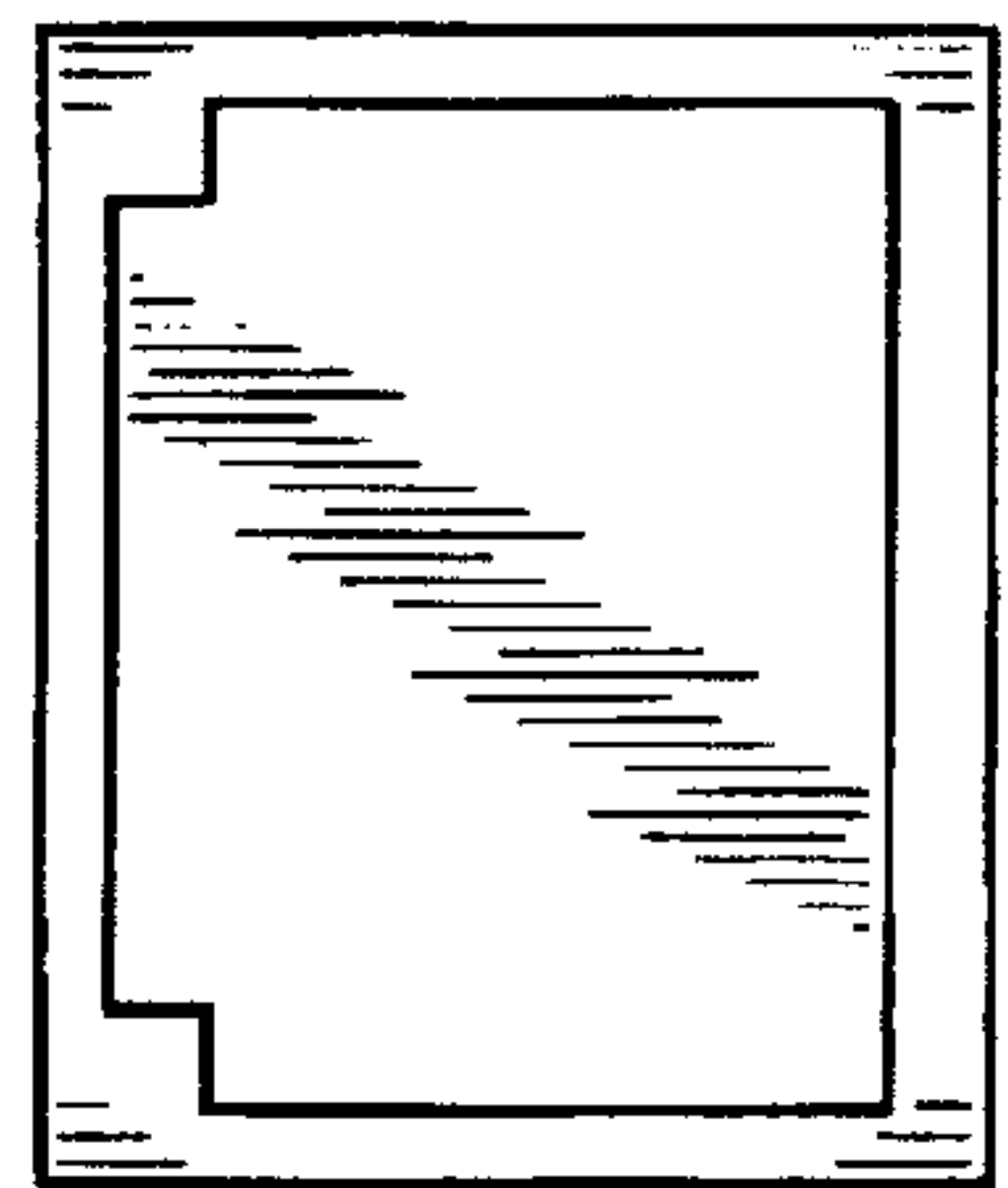


FIG-11



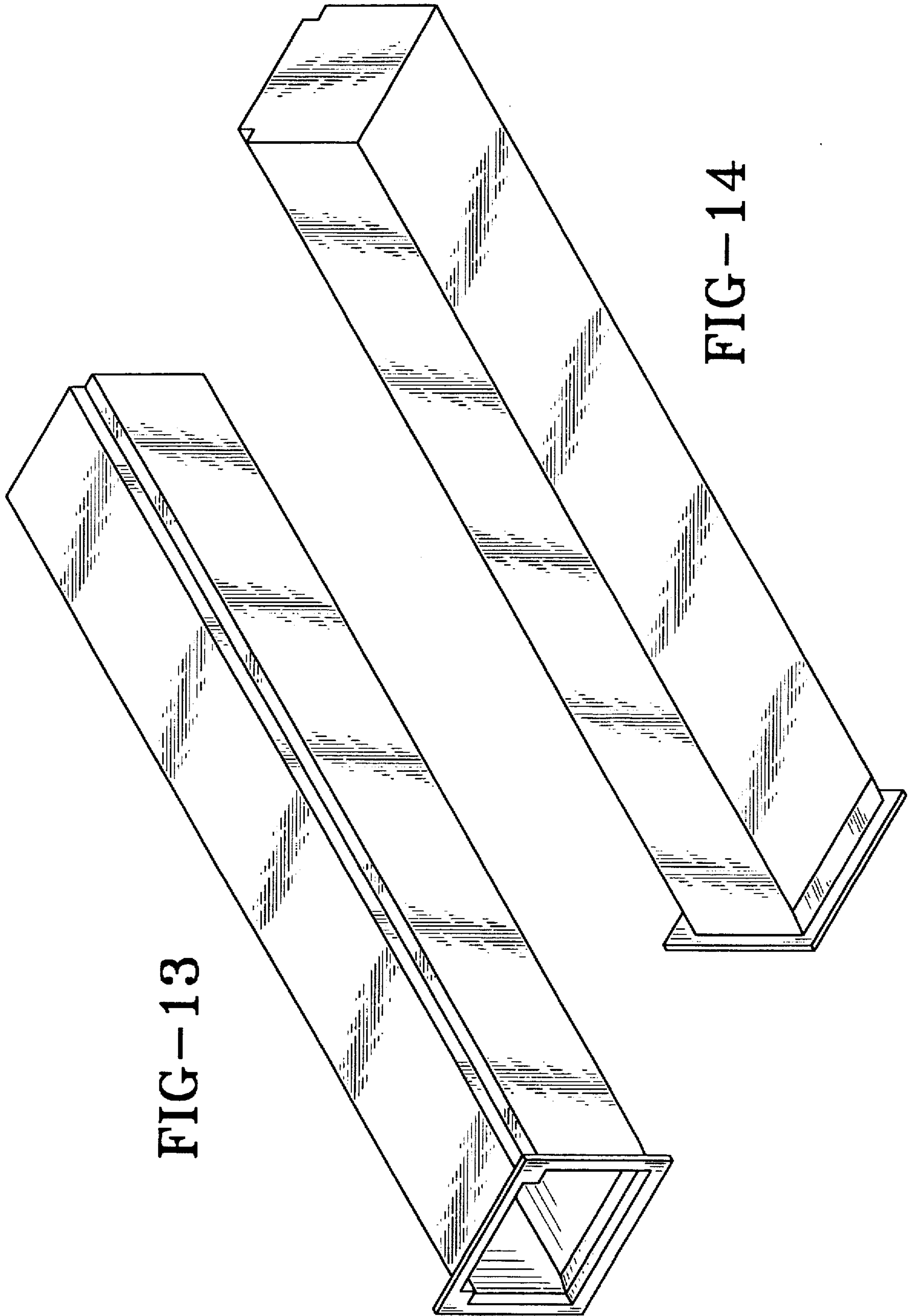


FIG-13

FIG-14

FIG-15

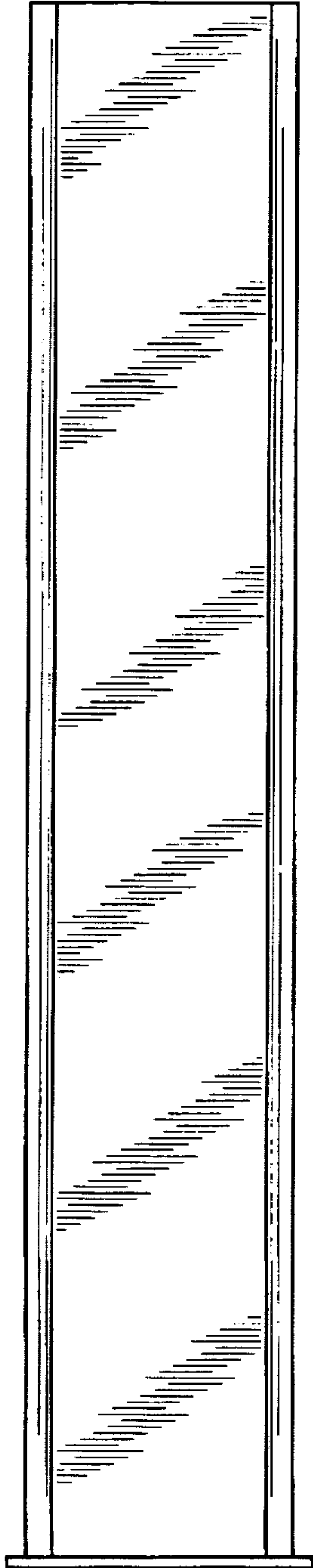


FIG-16

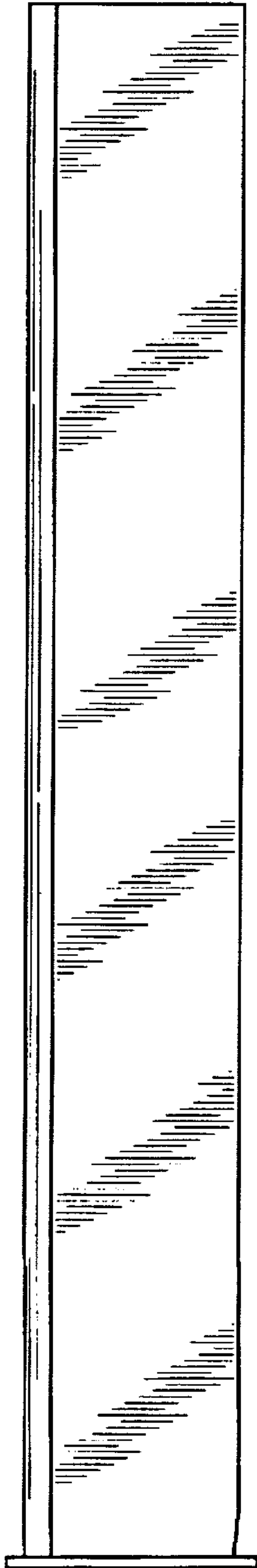


FIG-18

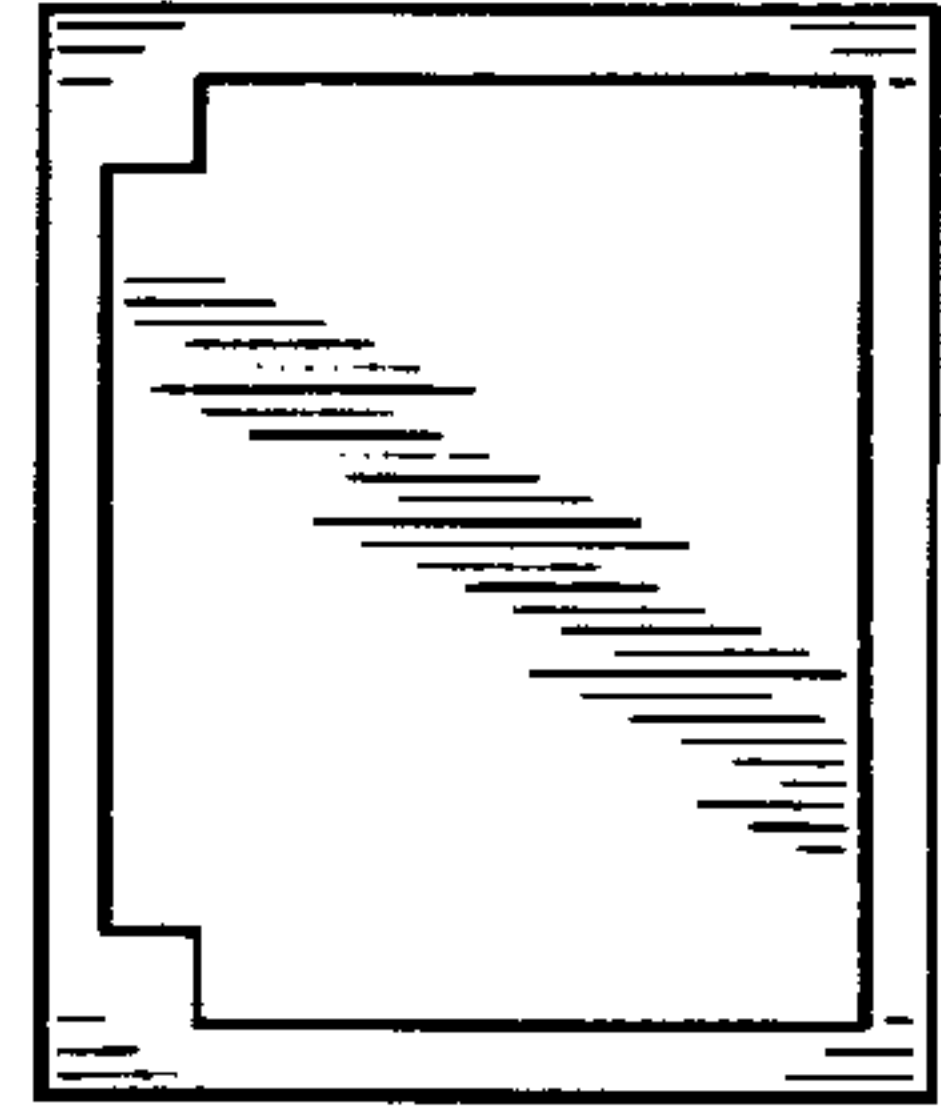
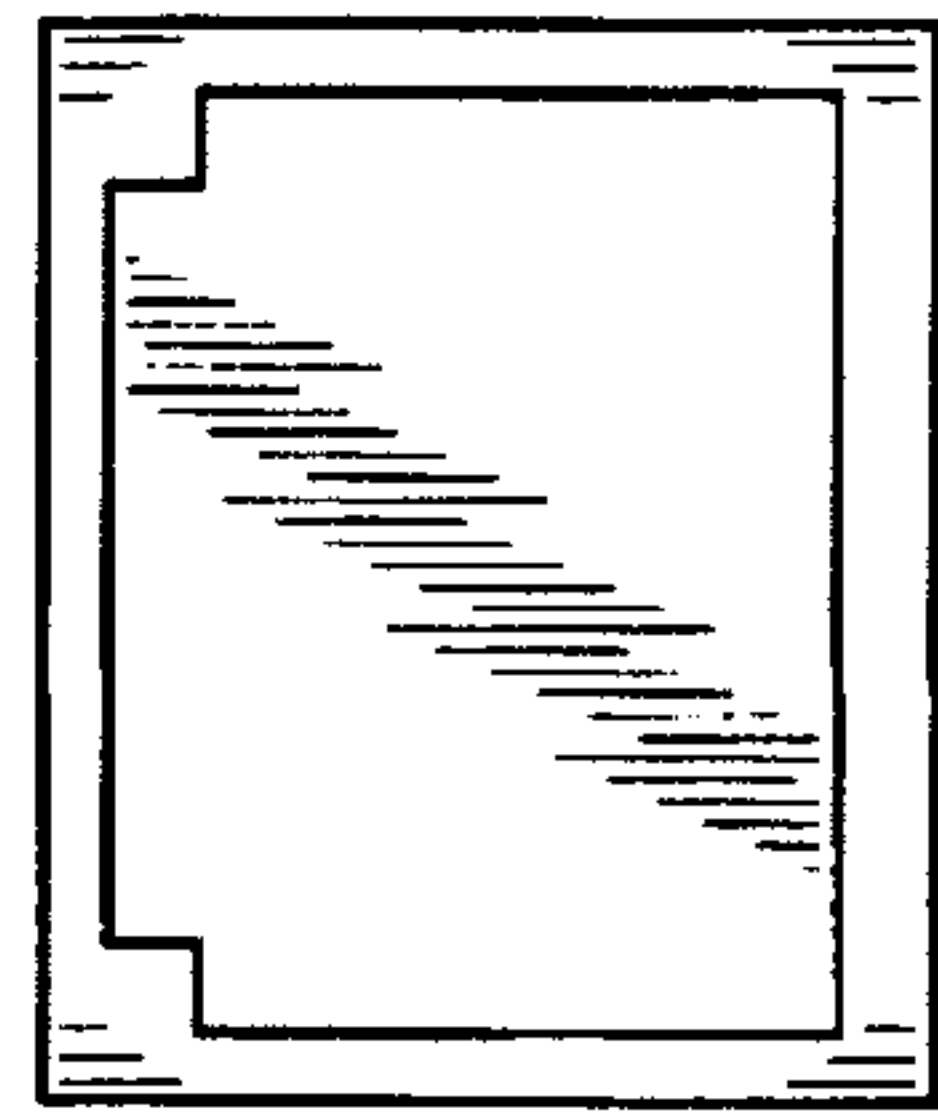


FIG-17





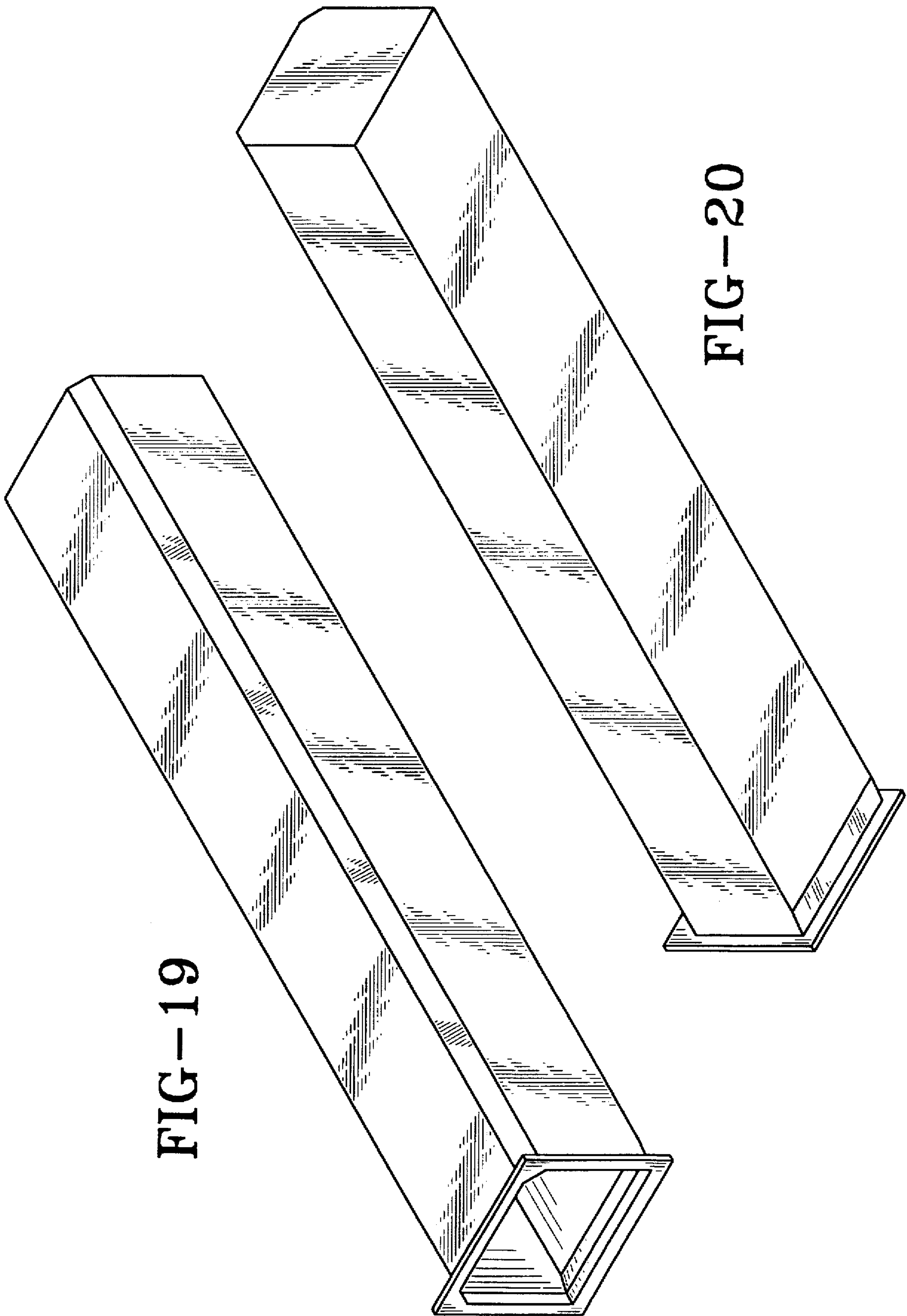


FIG-19

FIG-20

FIG-21

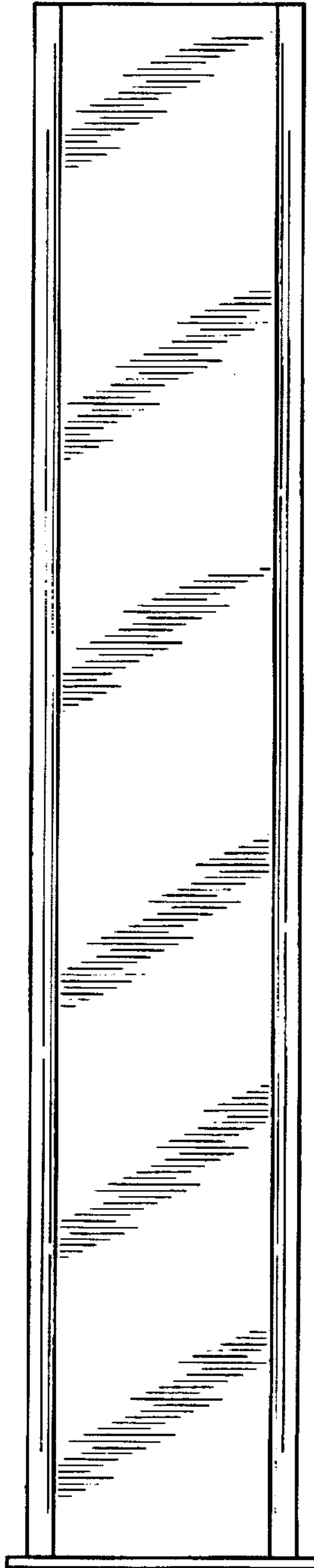


FIG-22

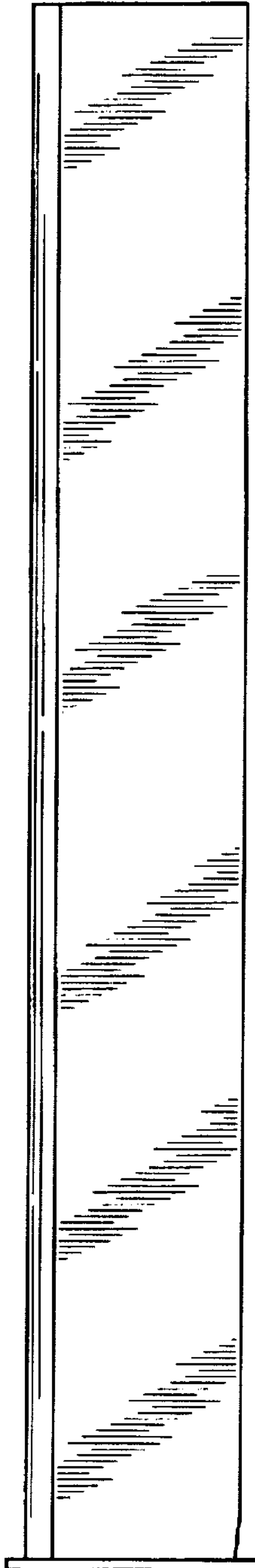


FIG-24

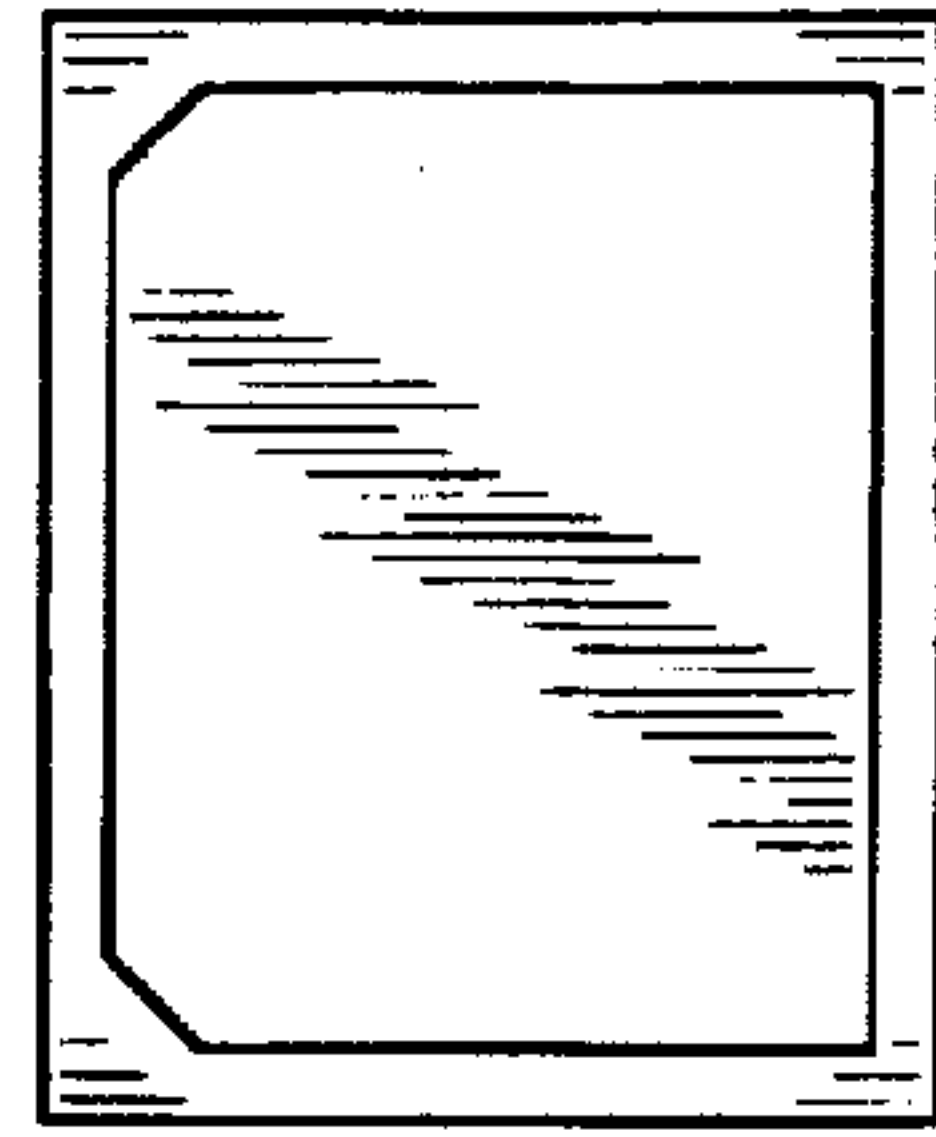


FIG-23

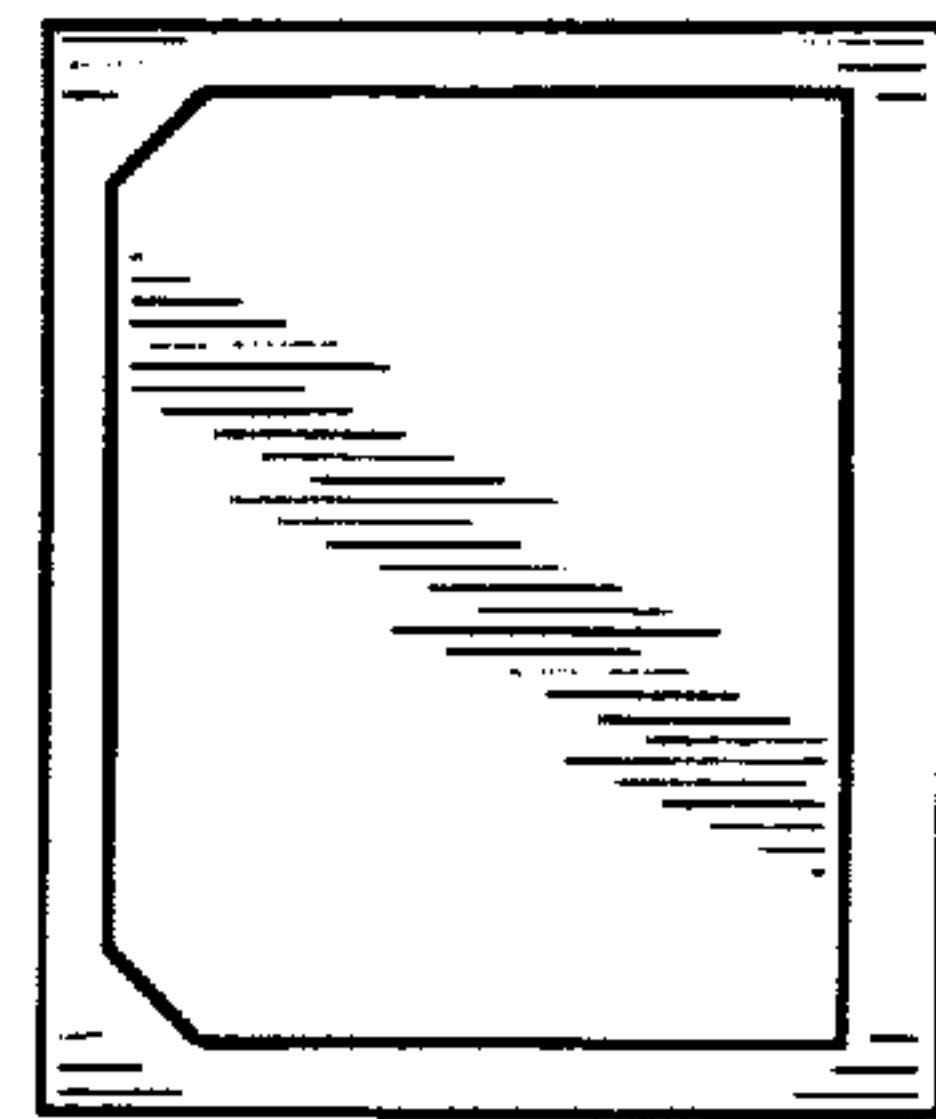


FIG-26

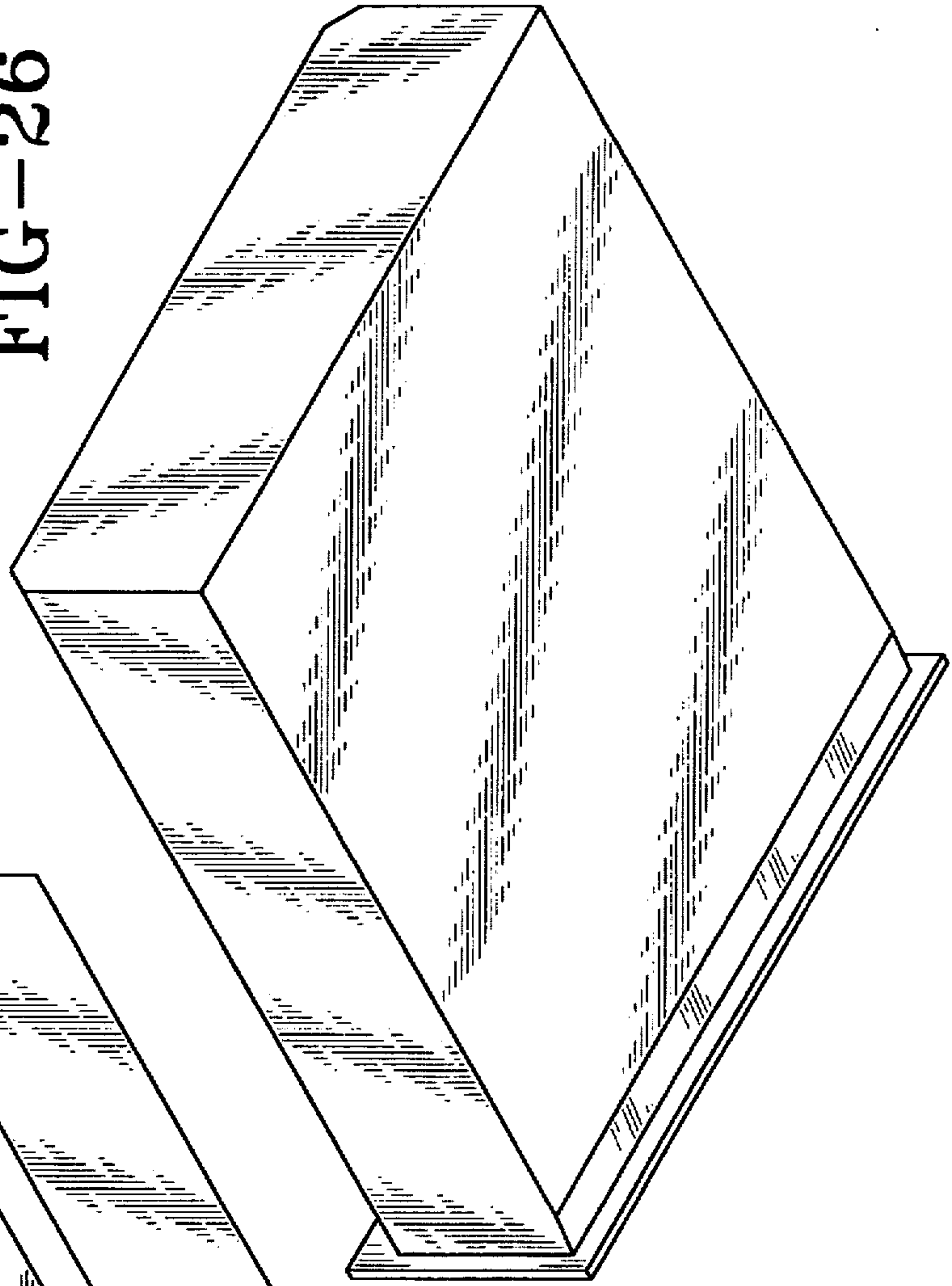
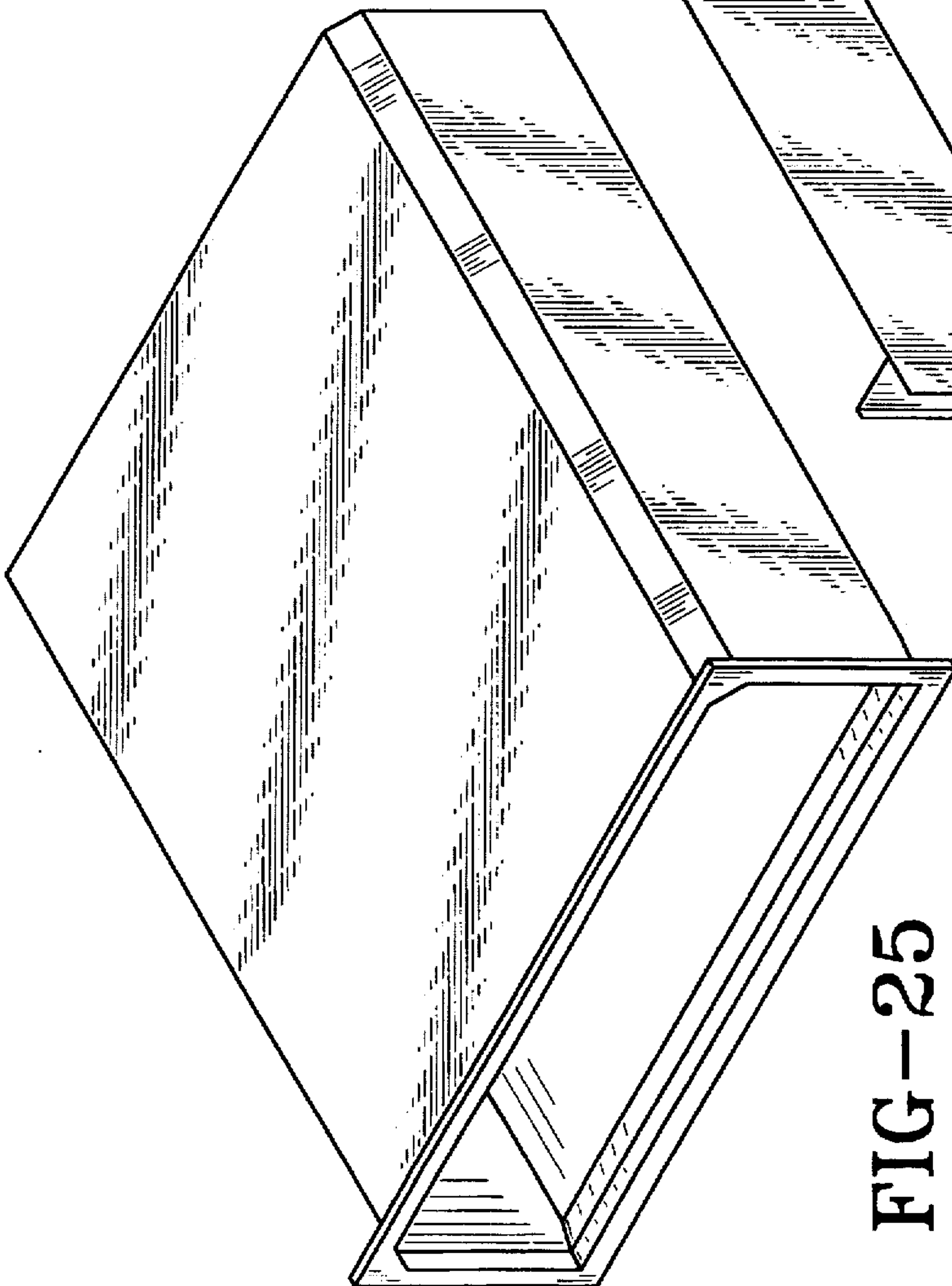


FIG-25



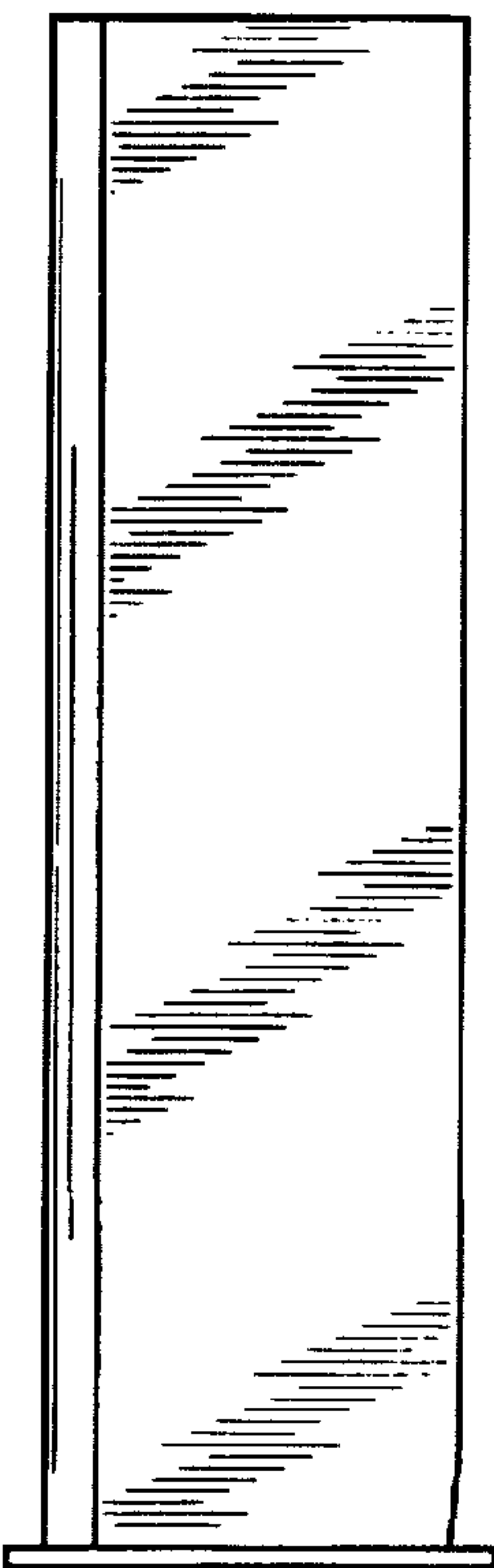


FIG-27

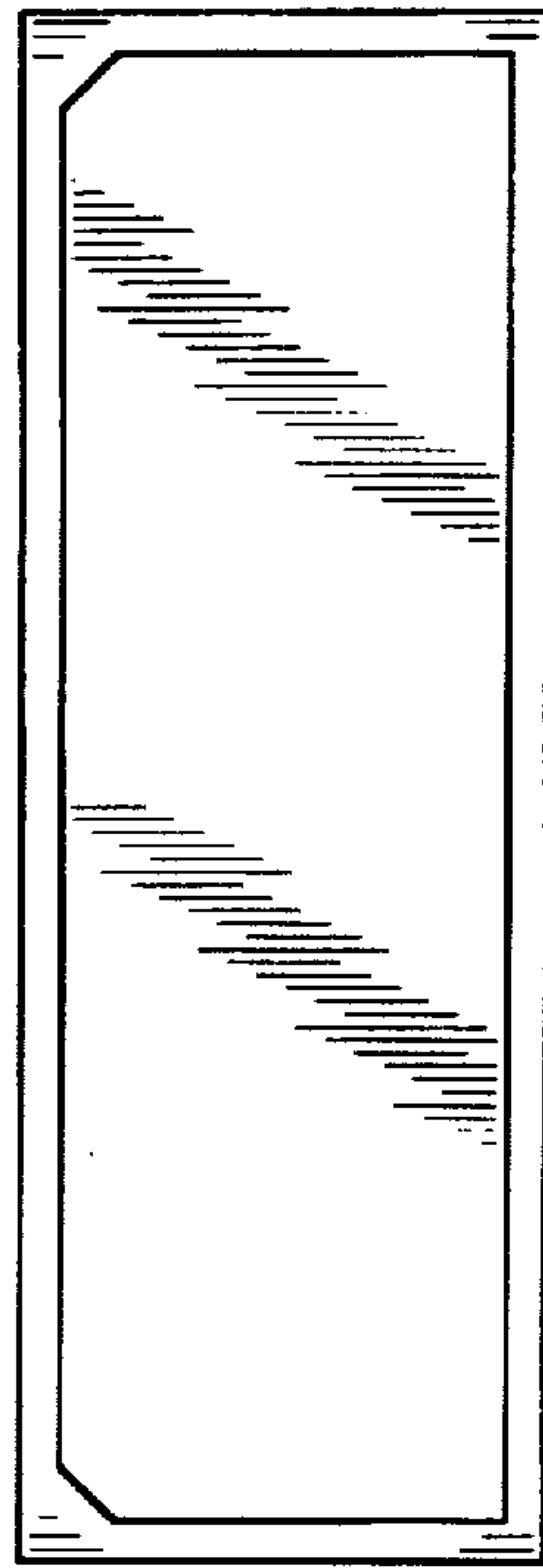


FIG-29

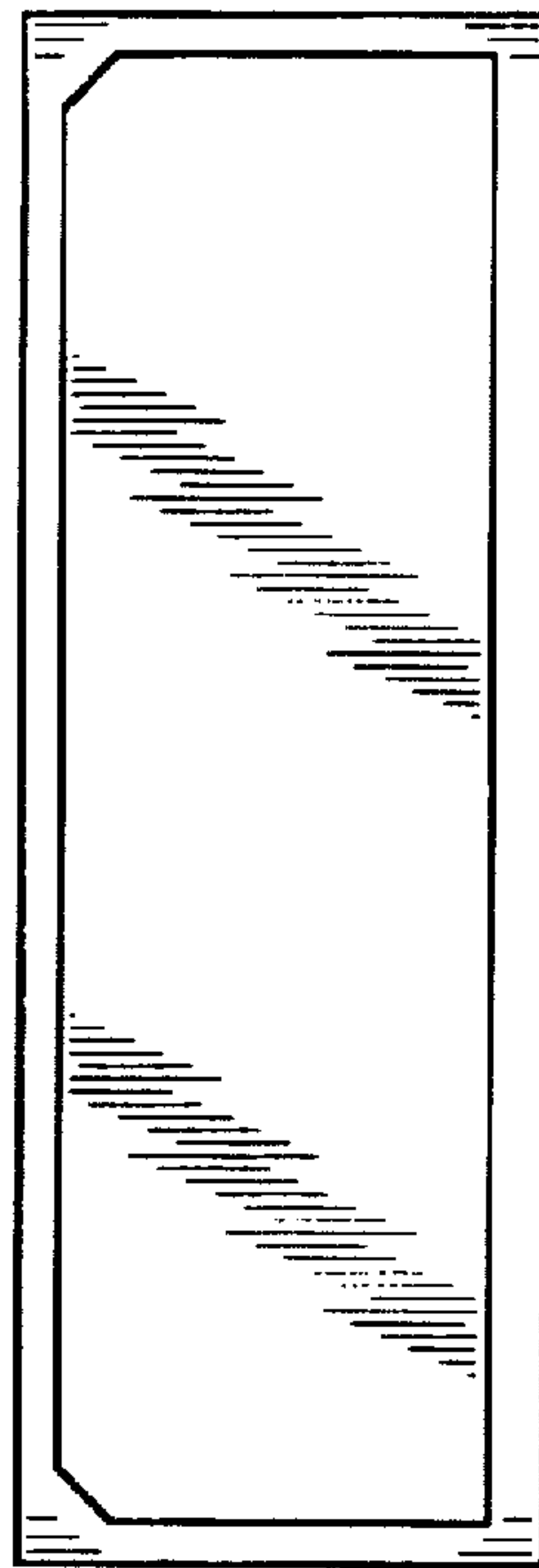
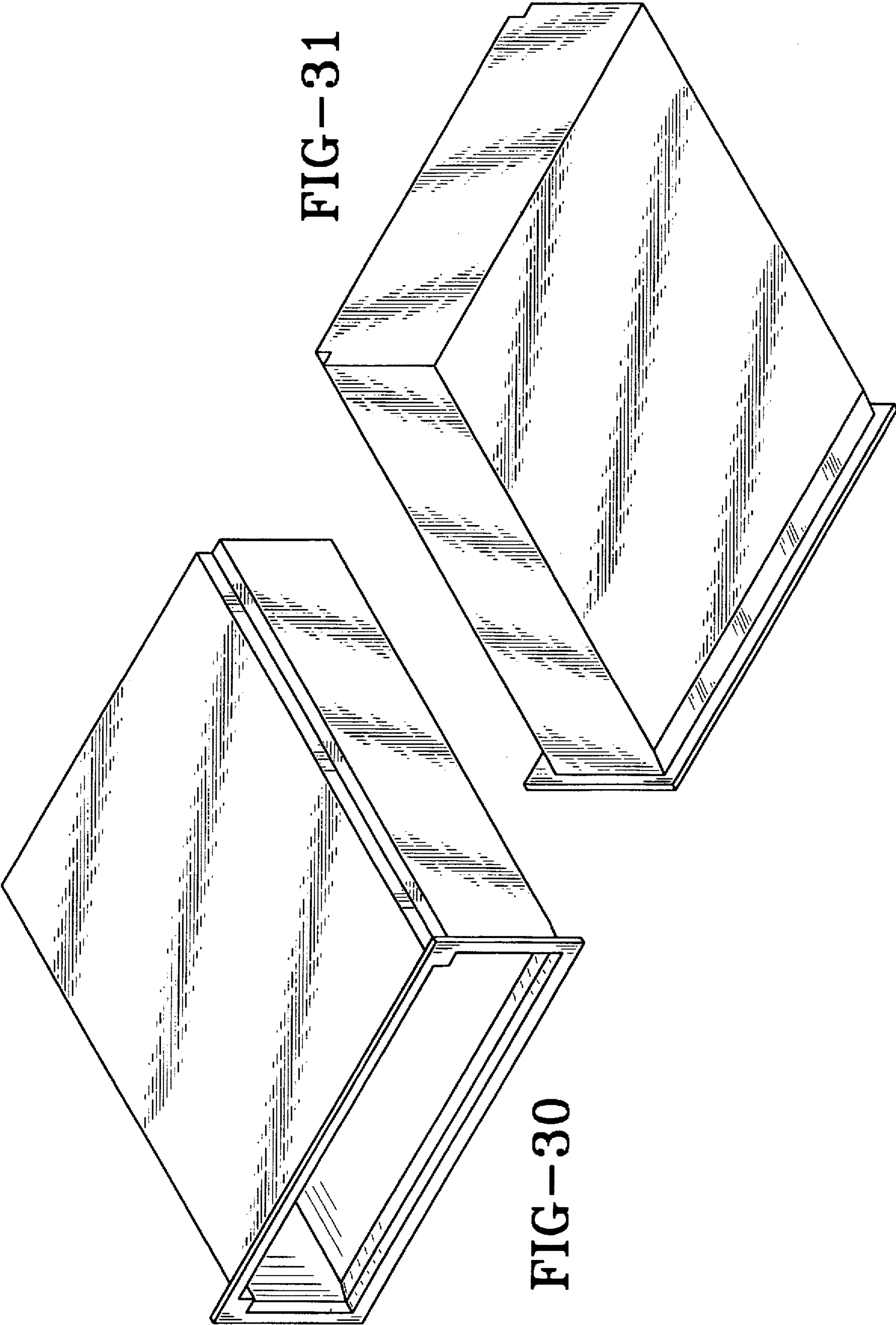


FIG-28





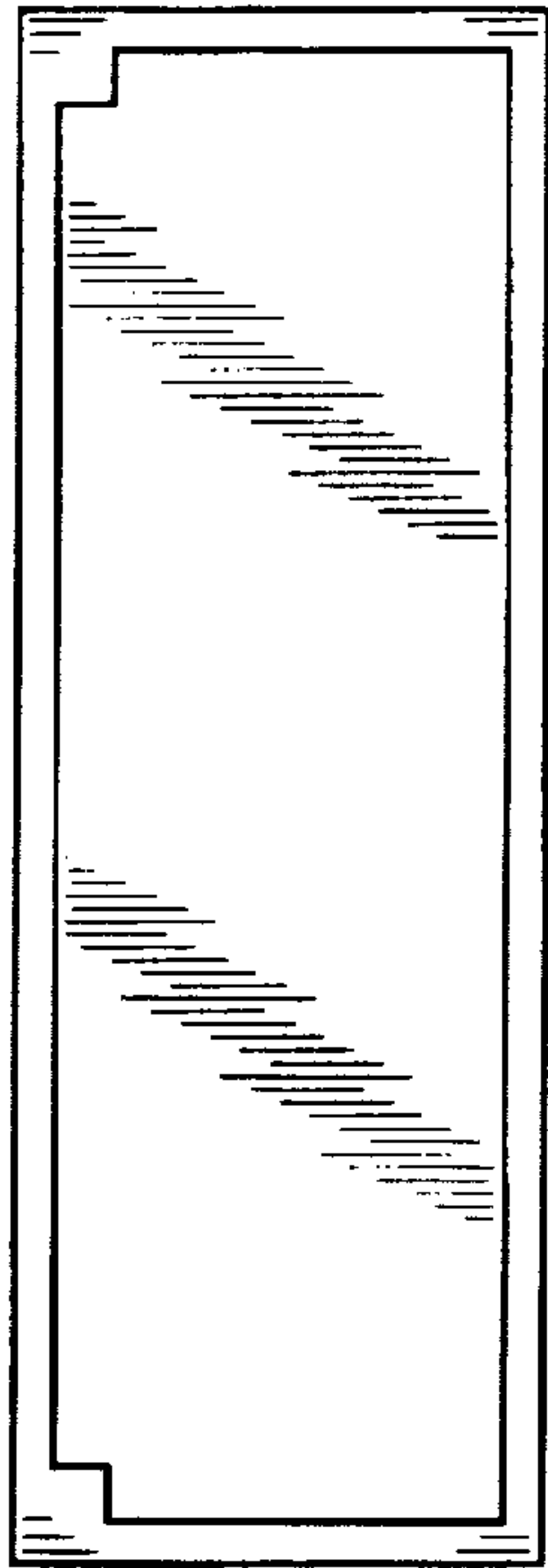


FIG-34

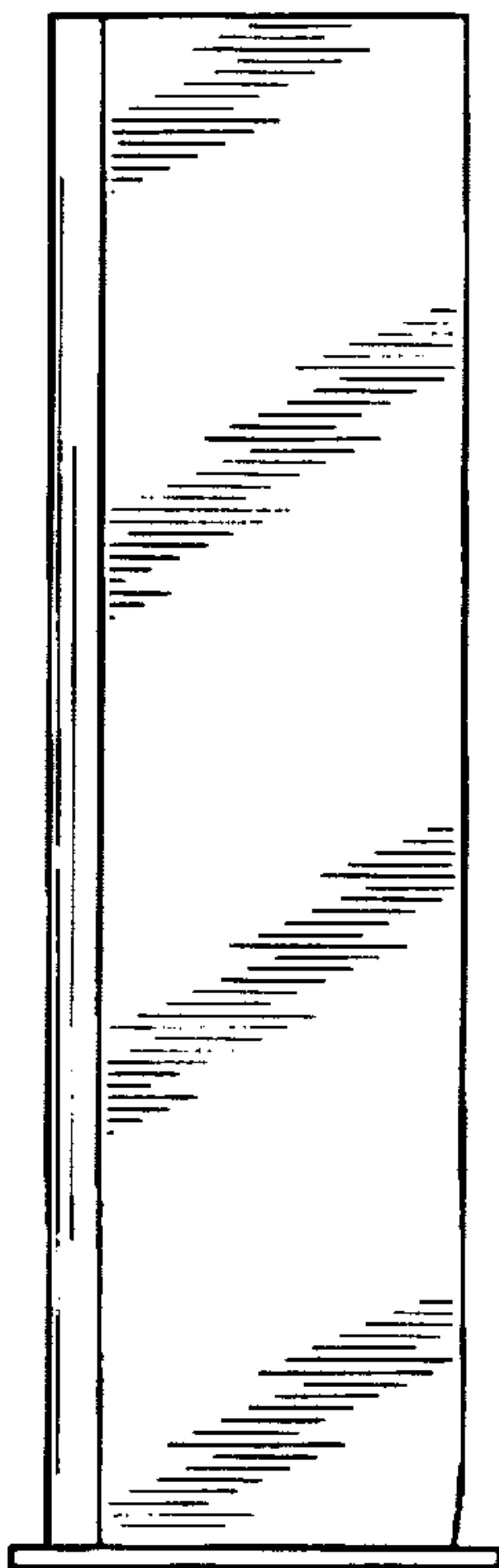


FIG-32

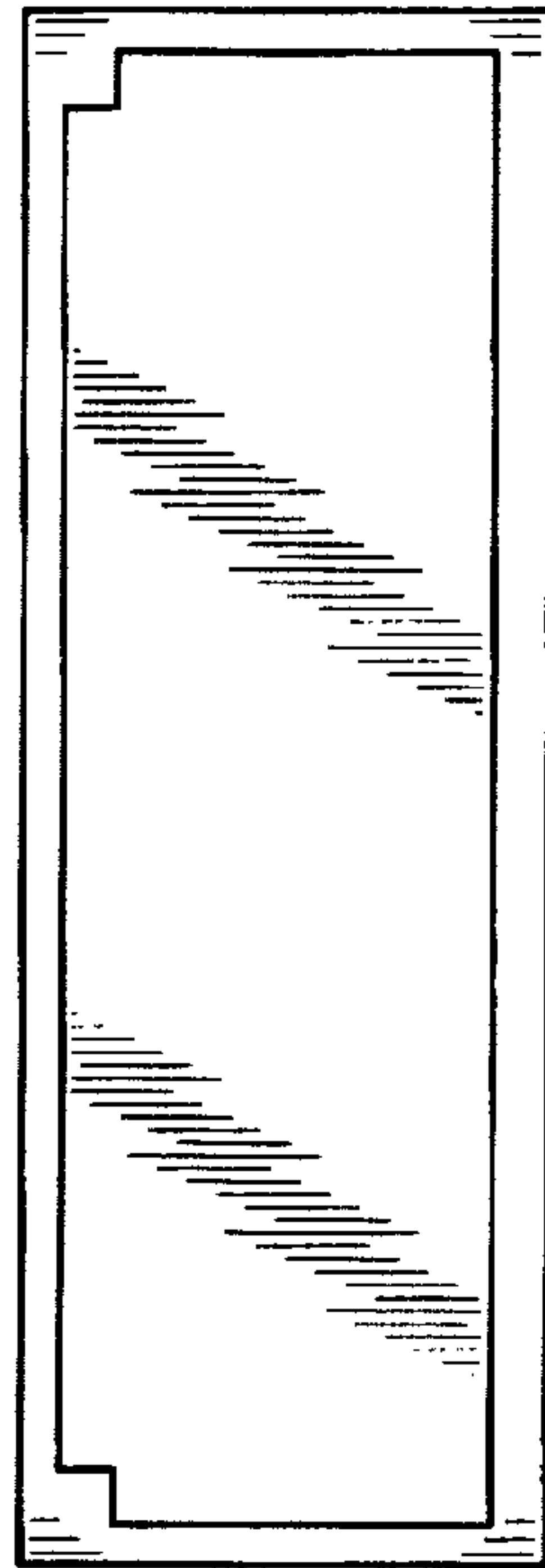


FIG-33