



US00D408610S

United States Patent [19]
Mathias

[11] **Patent Number:** **Des. 408,610**
[45] **Date of Patent:** ****Apr. 20, 1999**

[54] **PALLET**
[76] **Inventor:** **Dean Mathias, 5698 Apple Valley Rd., Acme, Mich. 49610**
[**] **Term:** **14 Years**
[21] **Appl. No.:** **29/088,319**
[22] **Filed:** **May 20, 1998**
[51] **LOC (6) Cl.** **09-08**
[52] **U.S. Cl.** **D34/38**
[58] **Field of Search** **D34/28, 38; 108/51.11, 108/53.1, 56.1, 56.3, 901, 902; 248/346.01**

3,207,096 9/1965 Munroe 108/51.1
4,369,716 1/1983 Munk et al. 108/51.1
5,505,141 4/1996 Barber 108/51.1
5,687,652 11/1997 Ruma 108/561

Primary Examiner—Susan J. Lucas
Assistant Examiner—Cynthia E. Ramirez
Attorney, Agent, or Firm—Douglas S. Bishop

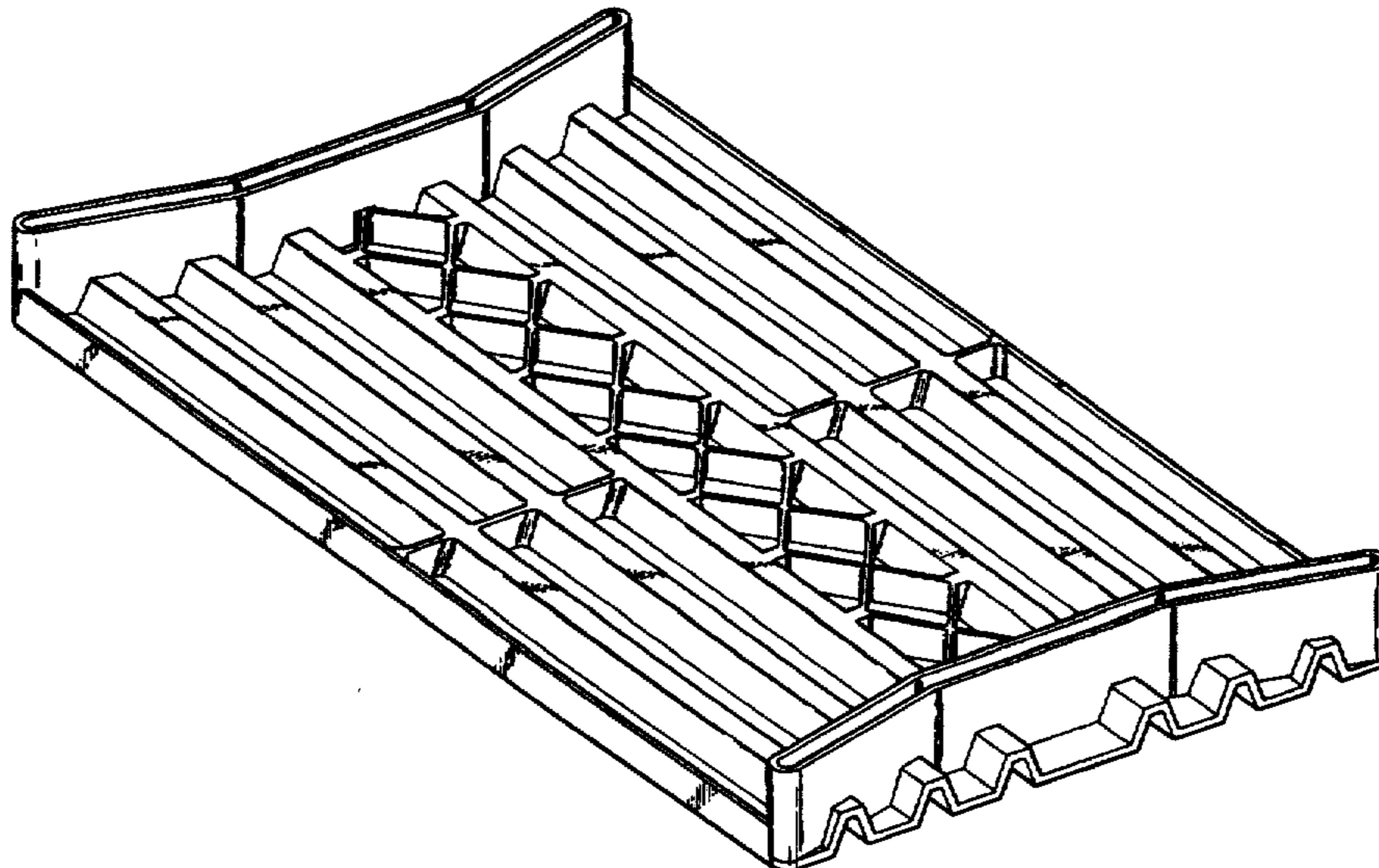
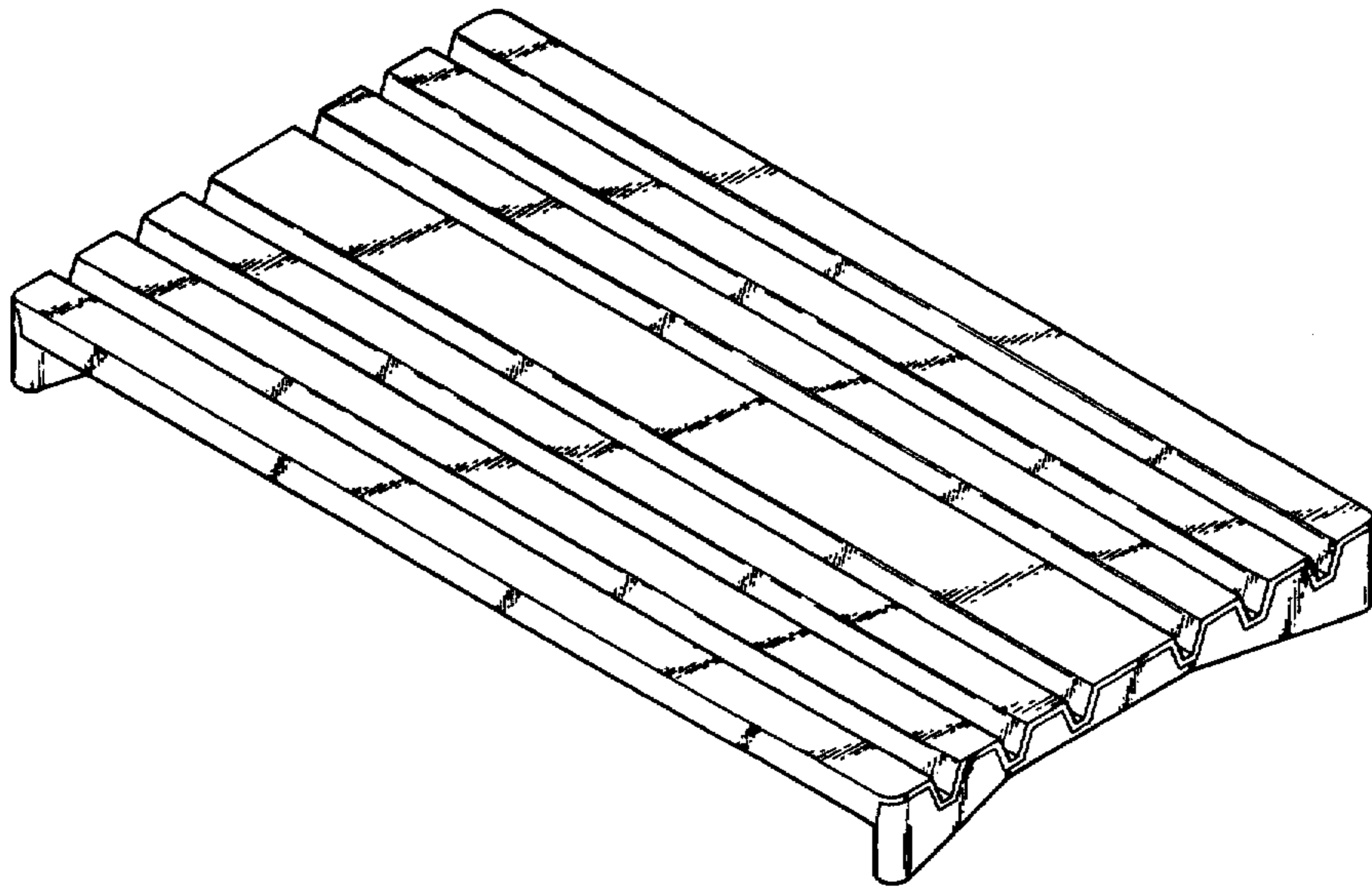
[57] **CLAIM**
The ornamental design for a pallet, as shown.

DESCRIPTION

FIG. 1 is a front, perspective view for a pallet of the present invention;
FIG. 2 is a bottom, perspective view of the pallet of FIG. 1;
FIG. 3 is a top plan view of the pallet of FIG. 1;
FIG. 4 is a front elevational view of the pallet of FIG. 1;
FIG. 5 is a bottom plan view of the pallet of FIG. 1; and,
FIG. 6 is an end view of the pallet of FIG. 1.

[56] **References Cited**
U.S. PATENT DOCUMENTS
D. 228,897 10/1973 Melnick et al. D34/38
D. 229,043 11/1973 Melnick et al. D34/38
D. 398,130 9/1998 Noferi D34/38
D. 399,631 10/1998 Campbell D34/38

1 Claim, 4 Drawing Sheets



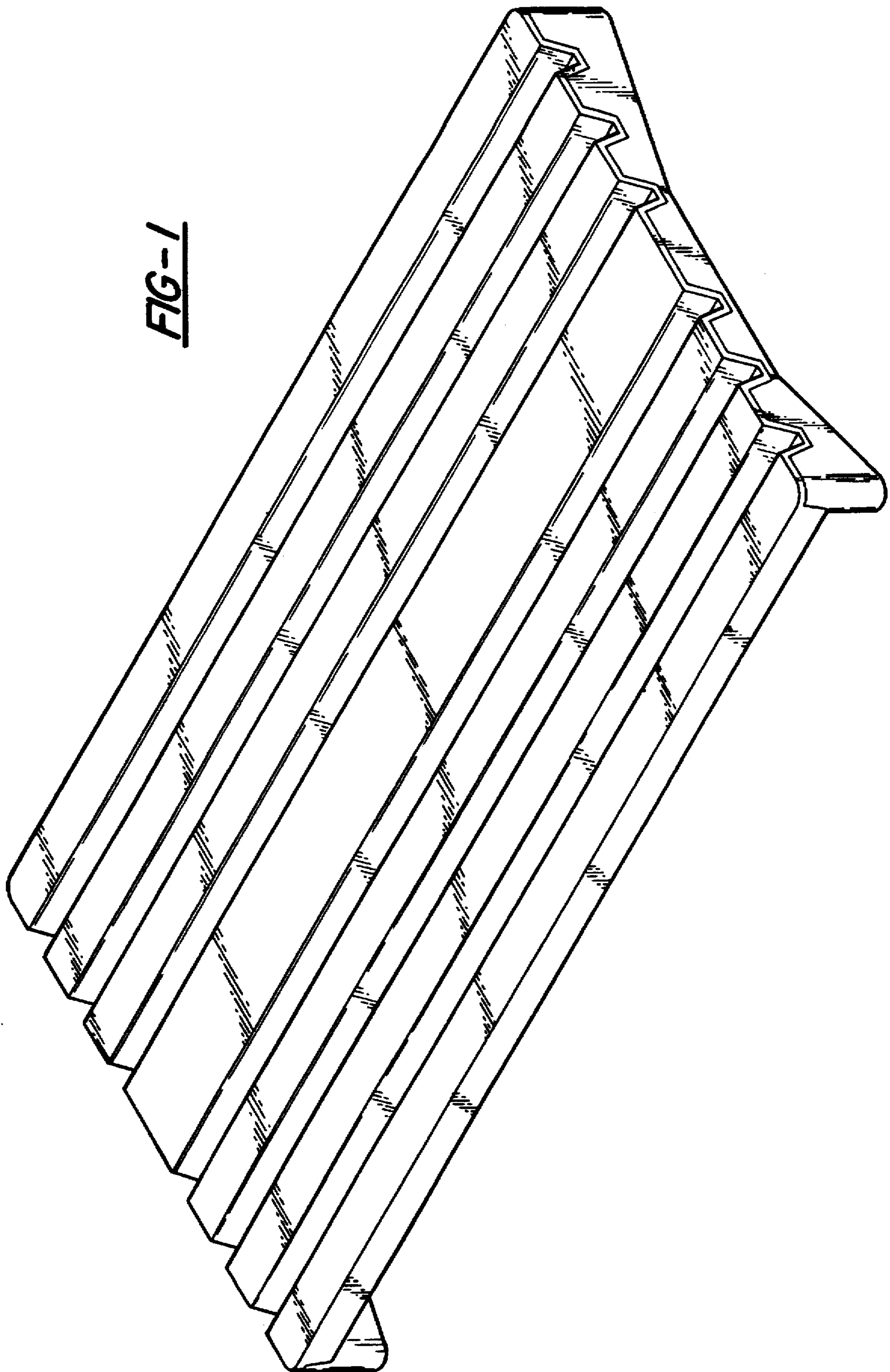


FIG-1

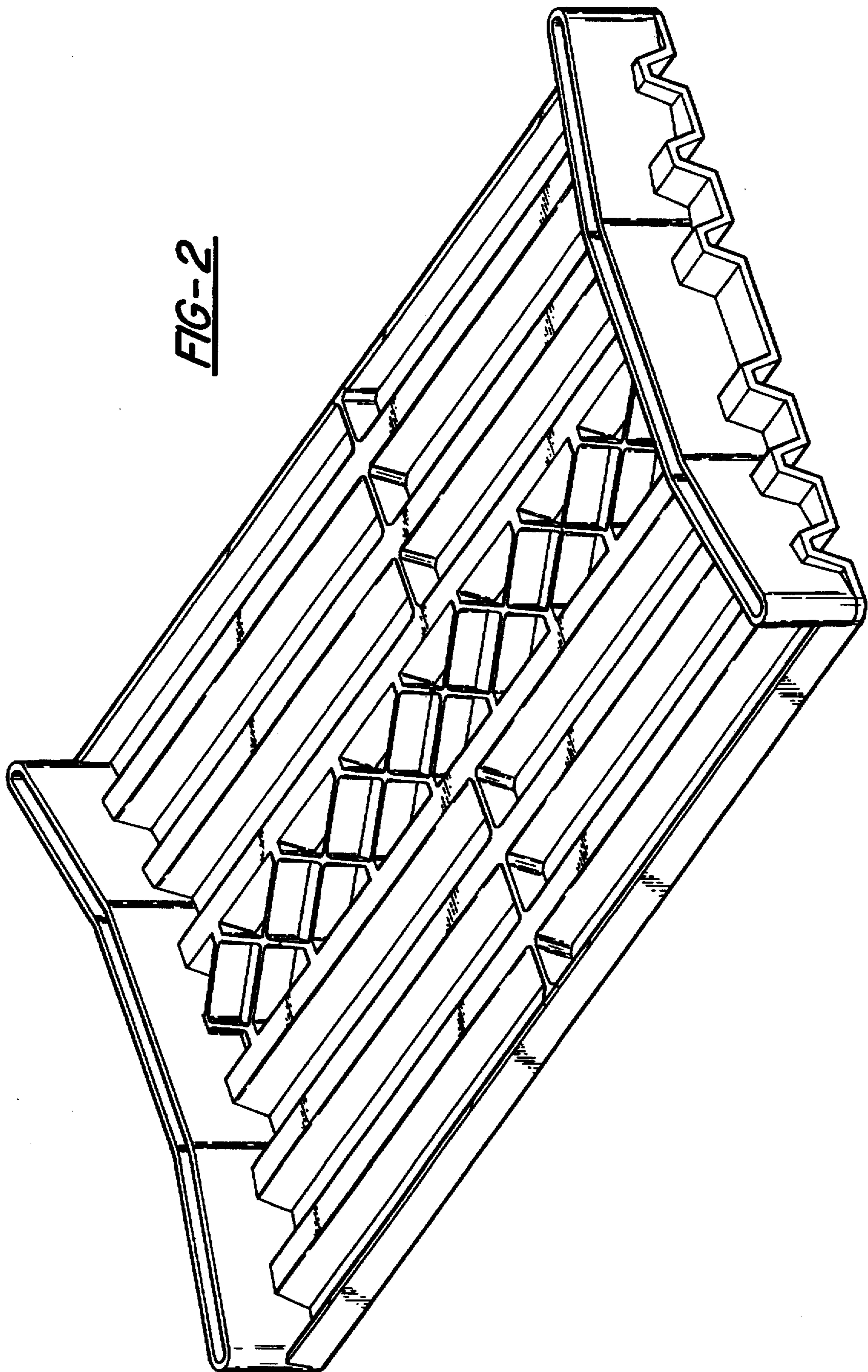


FIG-2

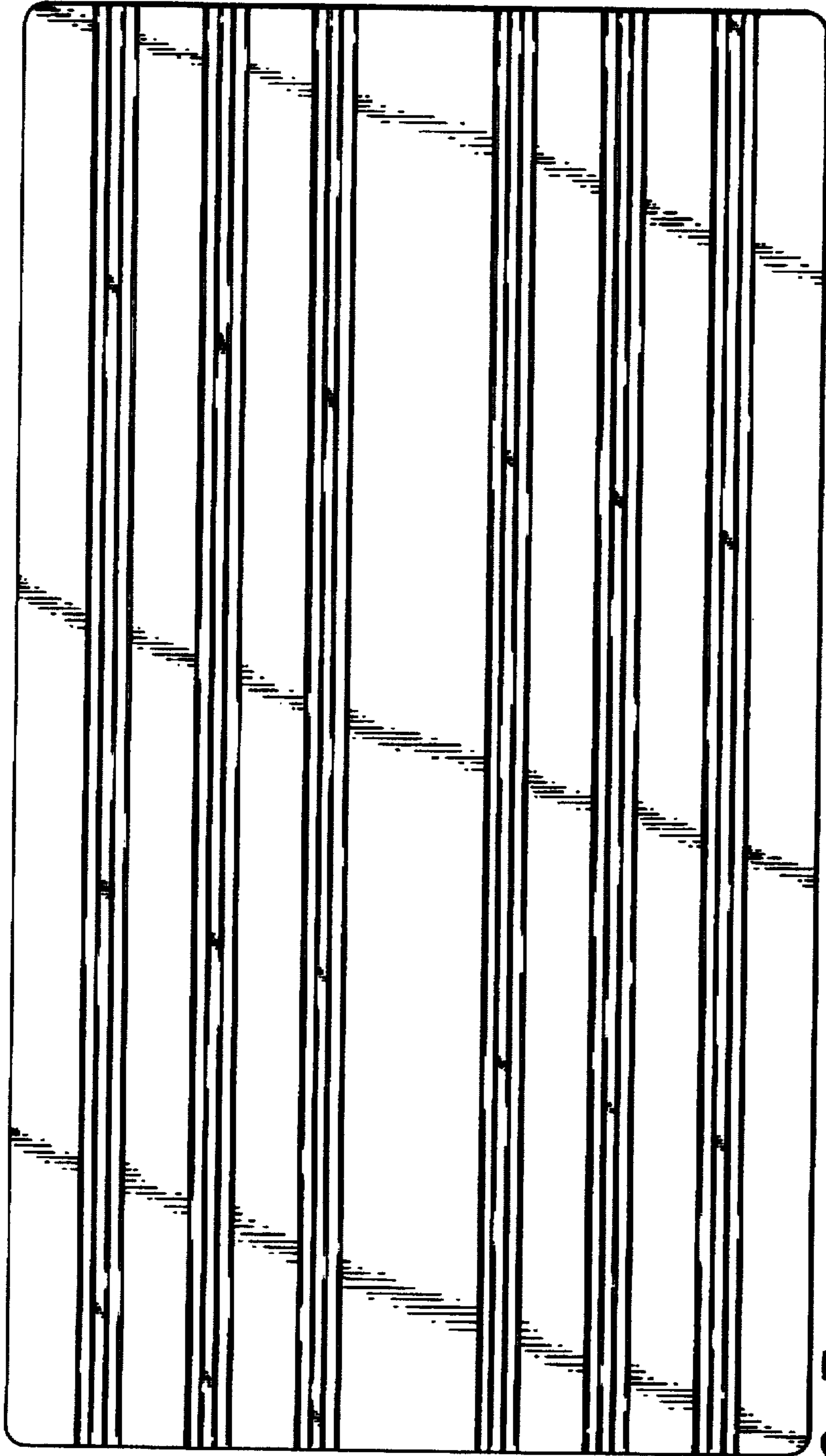


FIG-3

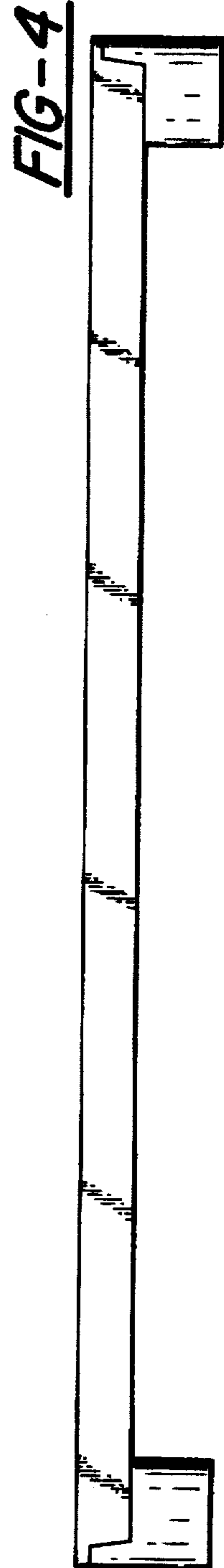


FIG-4

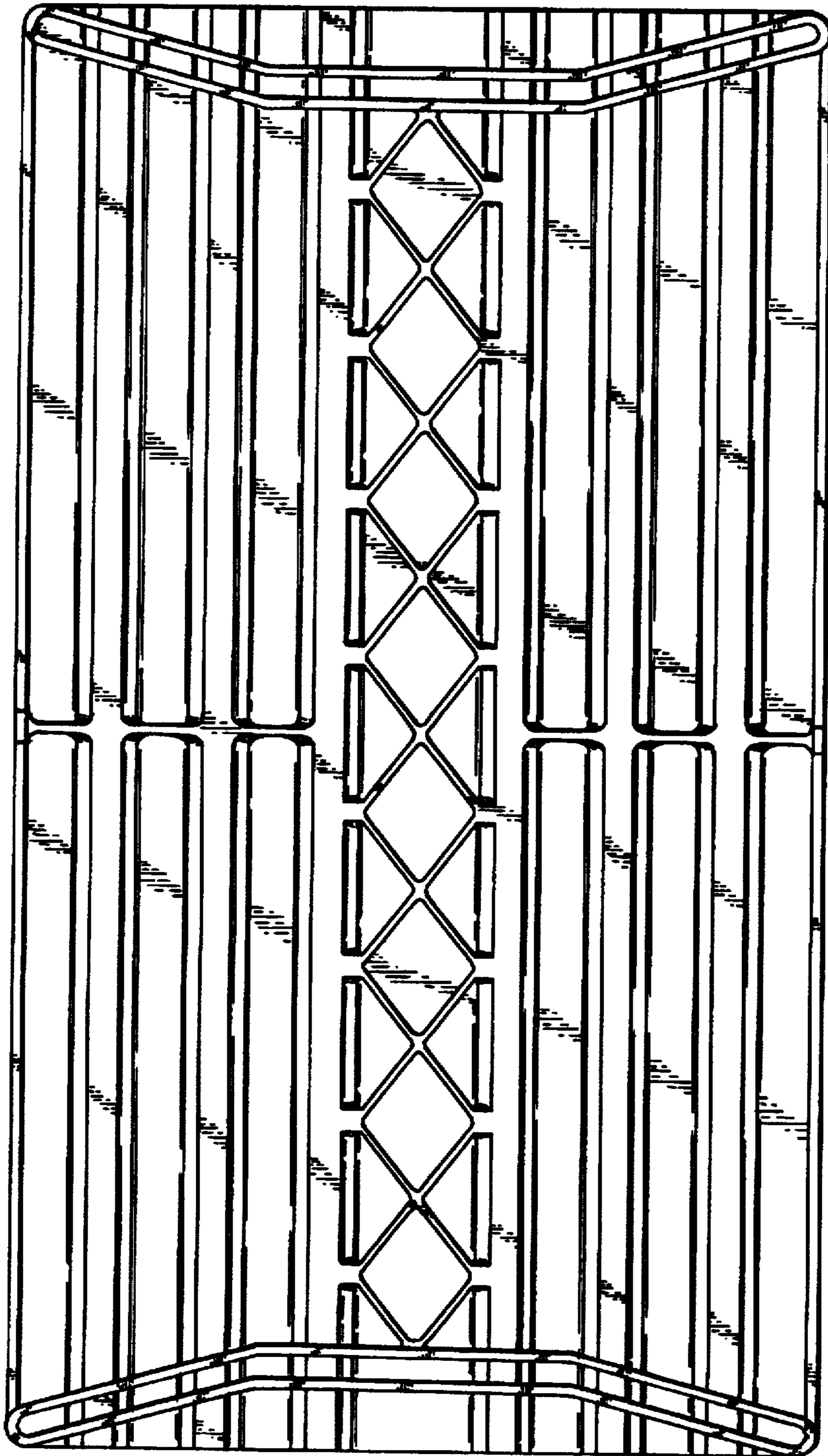


FIG-5

FIG-6

