



US00D408609S

United States Patent [19]

[11] Patent Number: **Des. 408,609**

Oja et al.

[45] Date of Patent: ****Apr. 20, 1999**

[54] GRAB

D. 354,605	1/1995	Lucky	D34/35
4,005,895	2/1977	Cullings	294/88
5,330,242	7/1994	Lucky	294/88

[75] Inventors: **Hannu Oja; Veikko Saarinen**, both of Hyvinkää, Finland

Primary Examiner—Alan P. Douglas
Assistant Examiner—Robin V. Taylor

[73] Assignee: **KCI Kone Cranes Internatinal Oy**, Hyvinkaa, Finland

[**] Term: **14 Years**

[57] CLAIM

The ornamental design for a grab, as shown and described.

[21] Appl. No.: **29/075,879**

DESCRIPTION

[22] Filed: **Jul. 7, 1997**

[30] Foreign Application Priority Data

Jan. 8, 1997 [FI] Finland 5/97

[51] LOC (6) CL **12-05**

[52] U.S. CL **D34/35**

[58] Field of Search D34/28, 33, 35;
D15/32; 294/88, 86.4, 86.42; 414/729,
738, 739

FIG. 1 is a front and rear view of a grab showing our new design;

FIG. 2 is a view of one side thereof, the other side being a mirror image;

FIG. 3 is a top view thereof;

FIG. 4 is a bottom view thereof;

FIG. 5 is a front view thereof in a closed position;

FIG. 6 is a side view thereof in a closed position;

FIG. 7 is a top view thereof in a closed position; and,

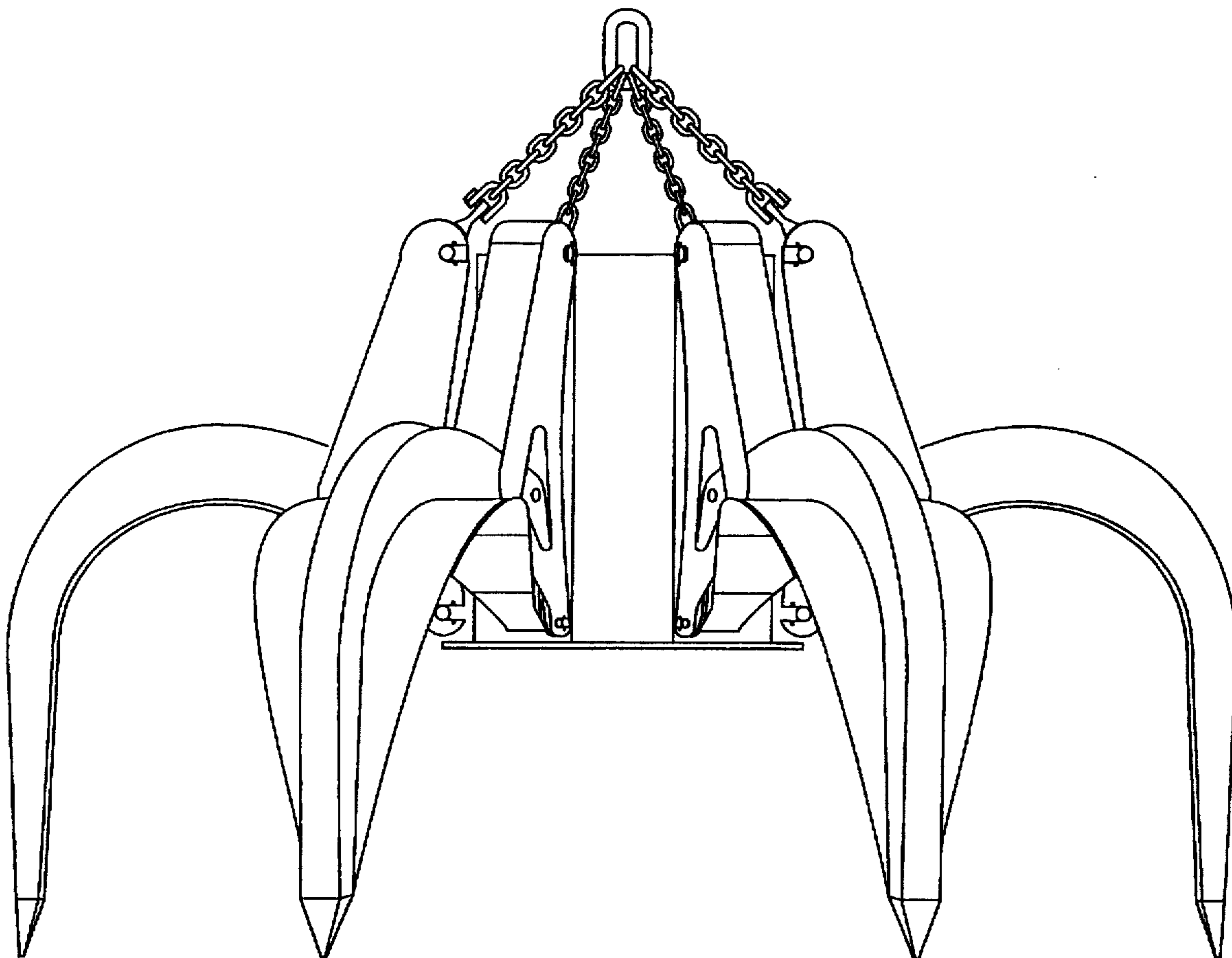
FIG. 8 is a bottom view thereof in a closed position.

[56] References Cited

U.S. PATENT DOCUMENTS

D. 189,049 10/1960 McElderry D23/35

1 Claim, 8 Drawing Sheets



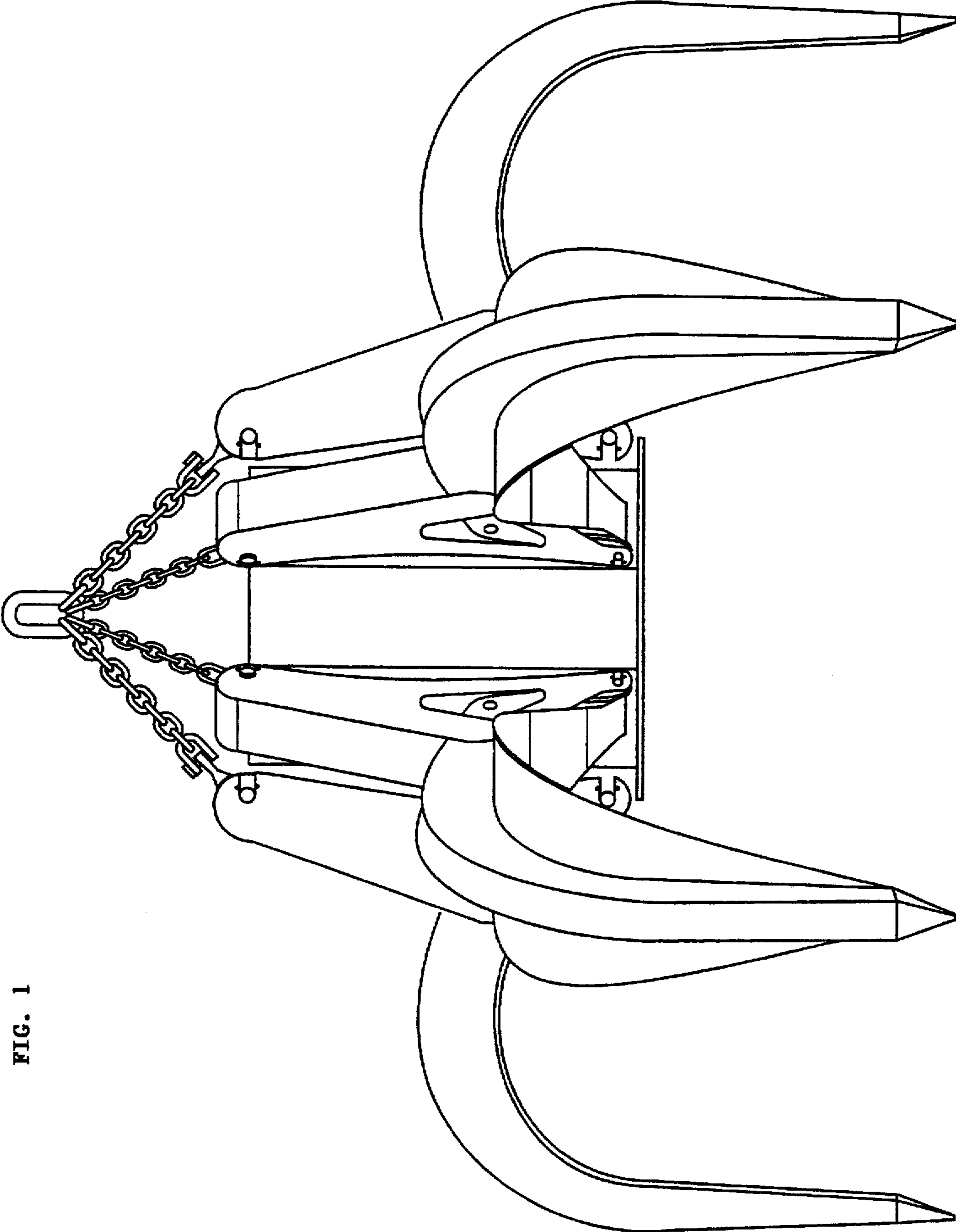


FIG. 1

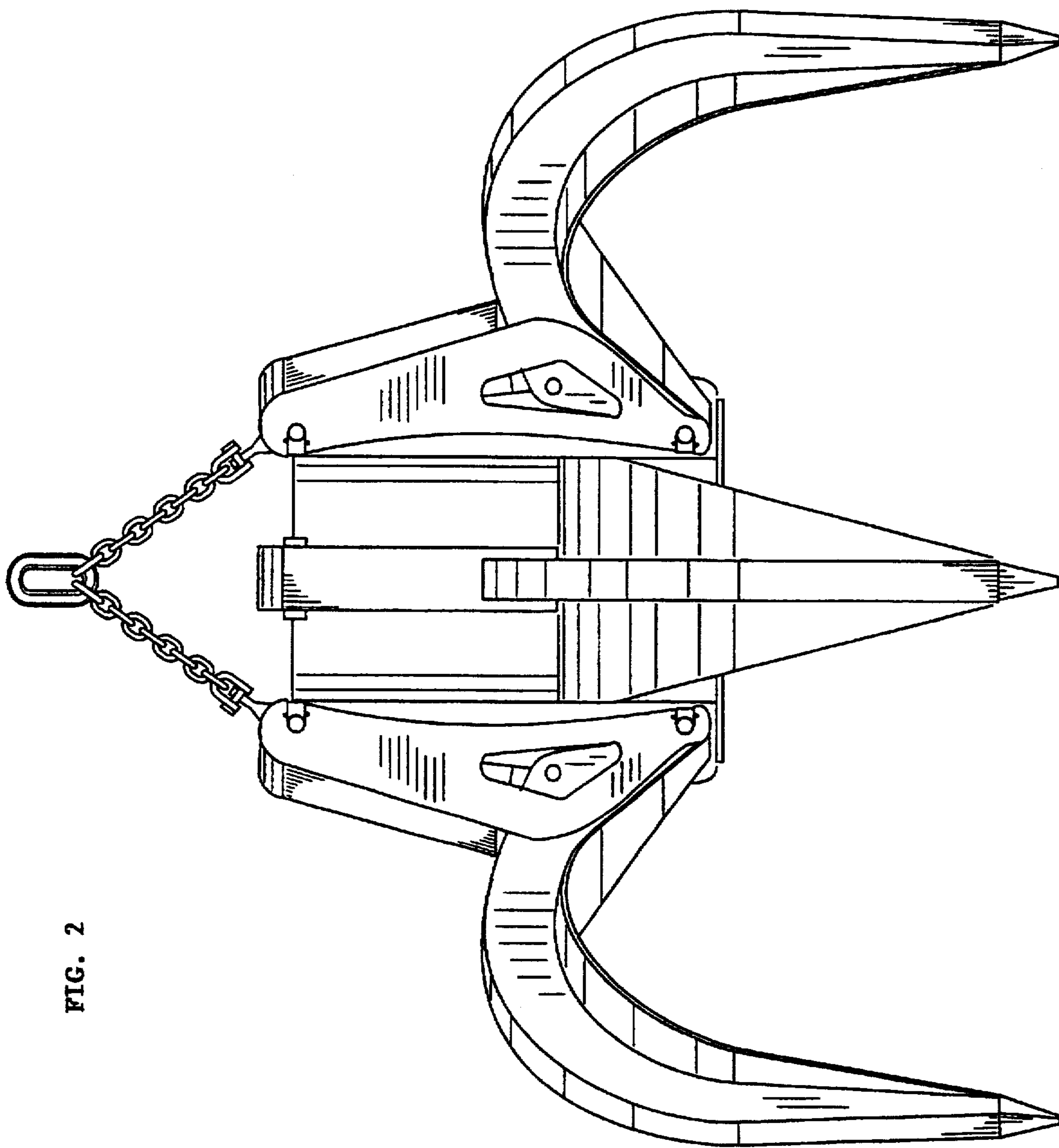


FIG. 2

FIG. 3

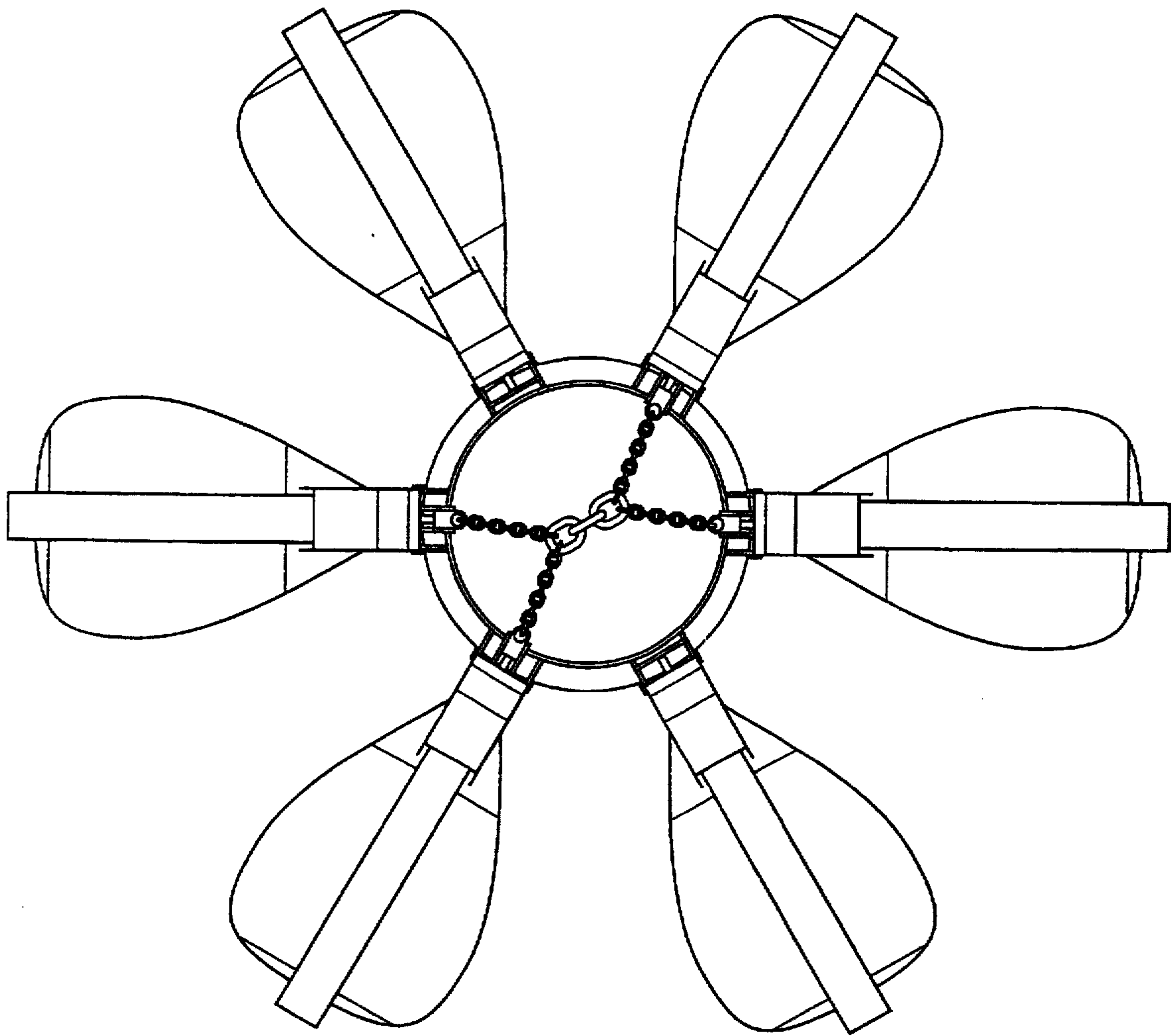
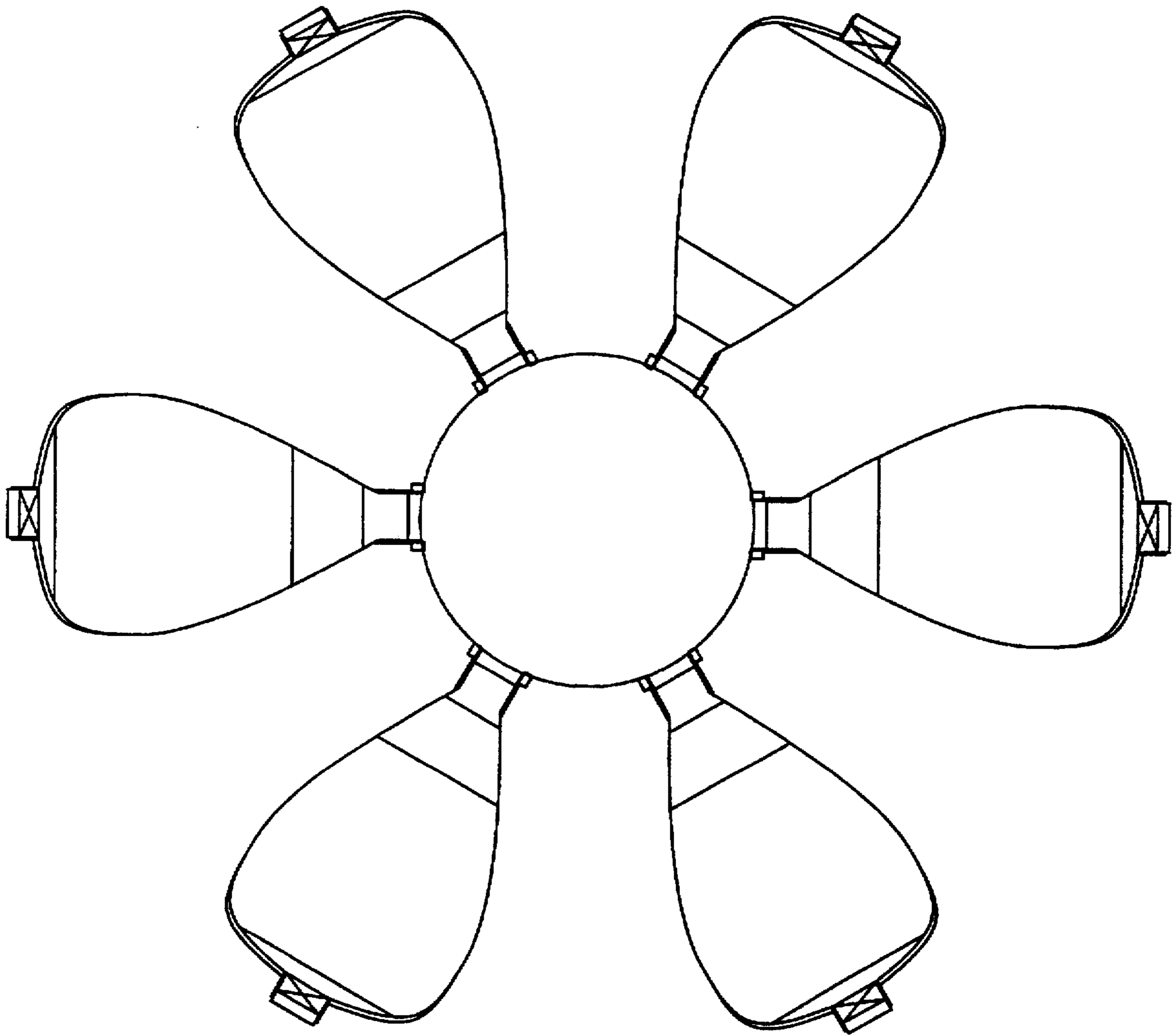


FIG. 4



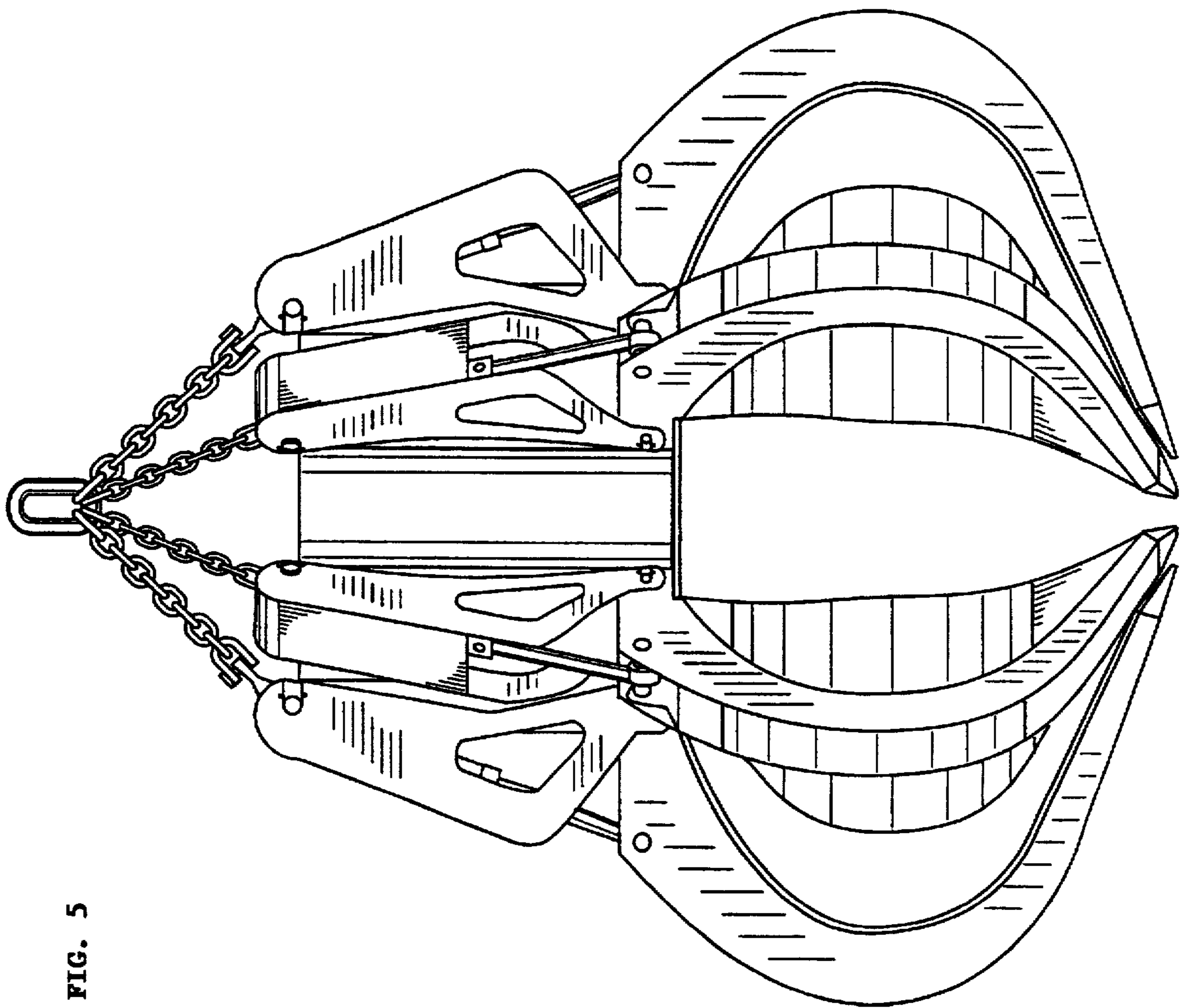


FIG. 5

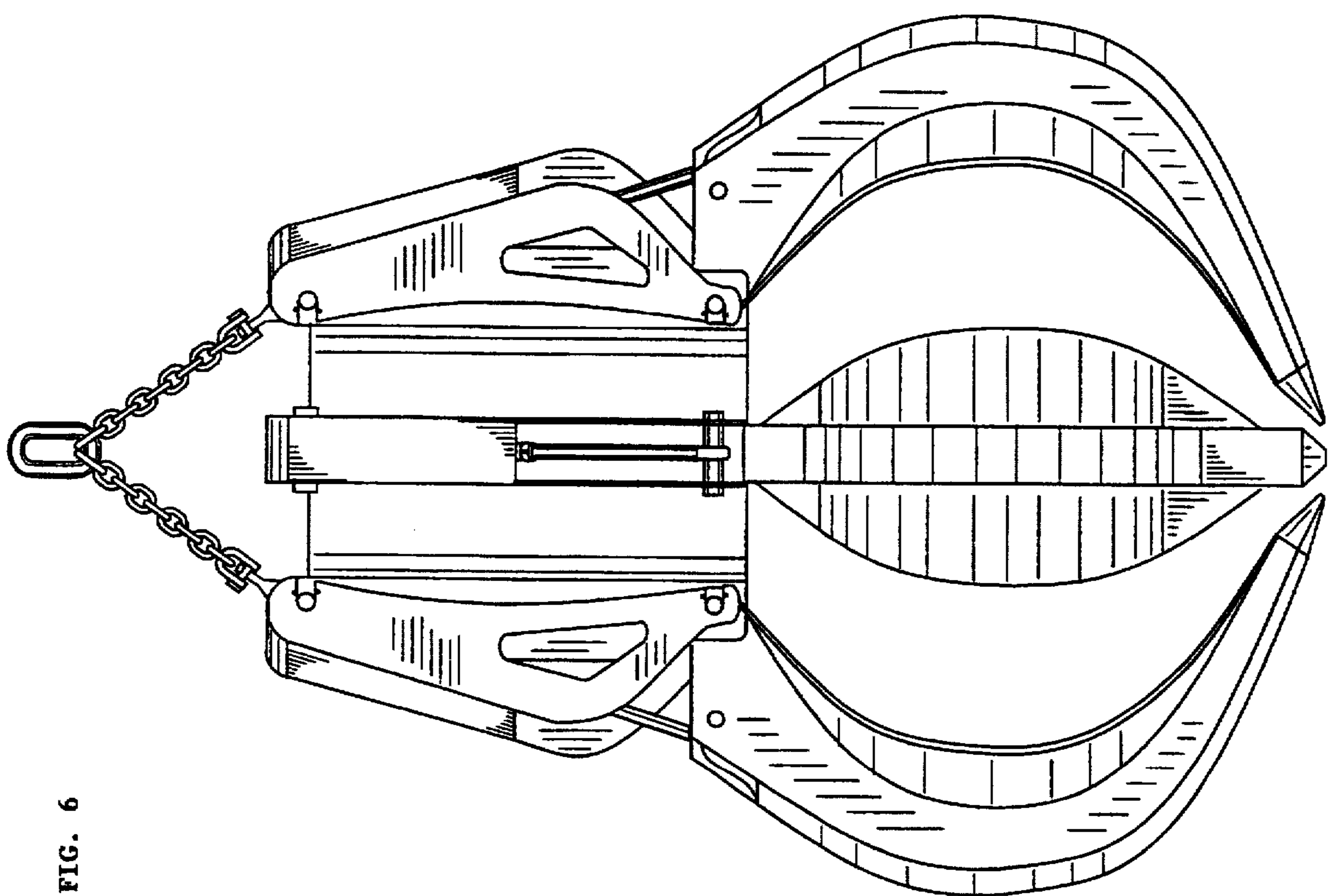


FIG. 6

FIG. 7

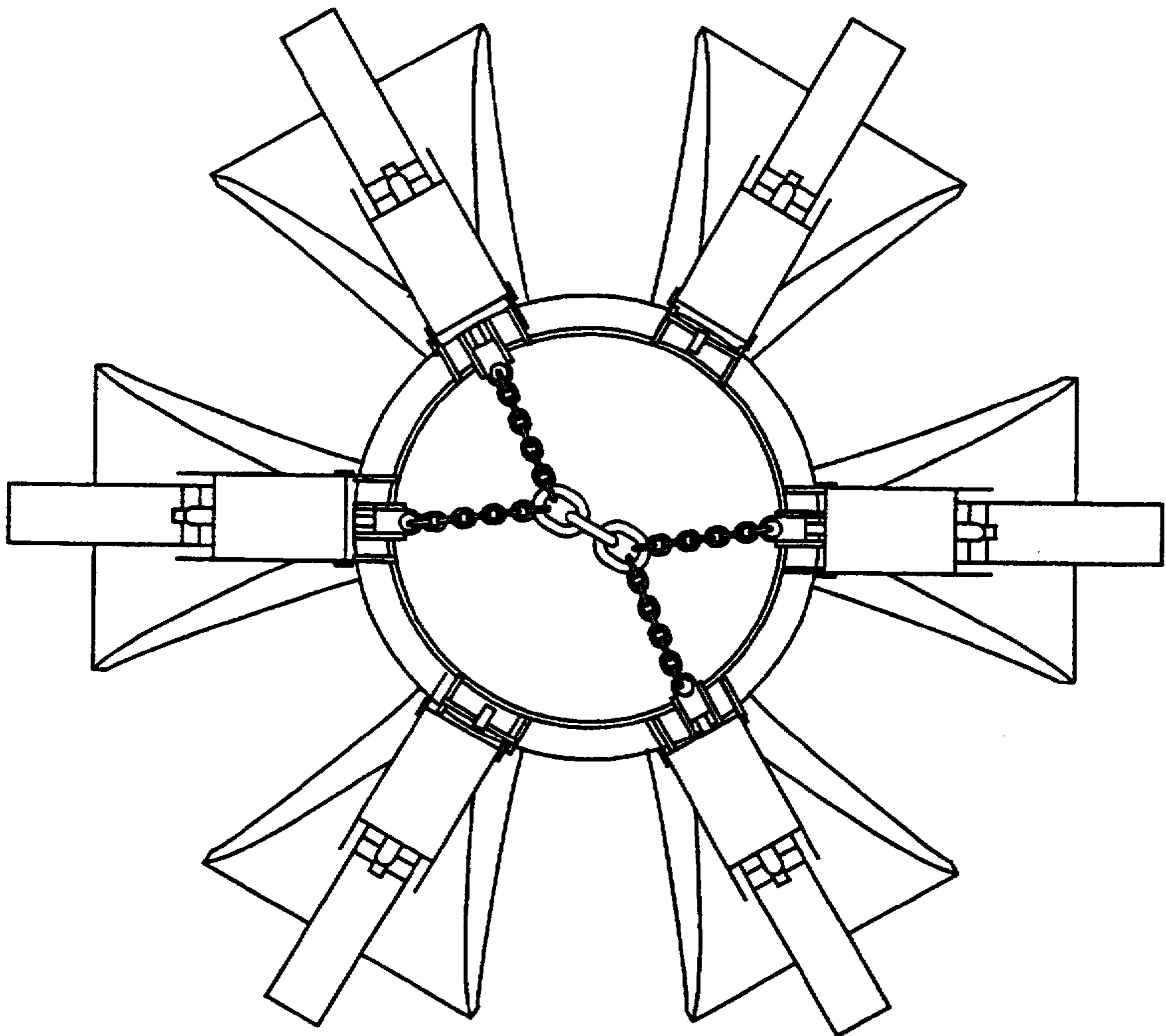


FIG. 8

