



US00D408608S

United States Patent [19]
Brown

[11] **Patent Number:** **Des. 408,608**
[45] **Date of Patent:** ****Apr. 20, 1999**

[54] **PORTABLE ROOF LIFTING APPARATUS**

[76] **Inventor:** **Charles N. Brown, 4010 Louisiana Ave. #1007, Lake Charles, La. 70605**

[**] **Term:** **14 Years**

[21] **Appl. No.:** **29/083,569**

[22] **Filed:** **Feb. 10, 1998**

3,791,627	2/1974	Stone et al. .	
4,004,778	1/1977	Steinhagen .	
4,660,679	4/1987	Ostobrod .	
5,184,860	2/1993	Bouillon et al.	D34/33
5,265,742	11/1993	Stenger et al. .	
5,341,898	8/1994	Baziuk .	
5,431,248	7/1995	Willoughby	182/142

Primary Examiner—Doris Clark
Attorney, Agent, or Firm—Royston, Rayzor, Vickery, Novak & Druce, L.L.P.

Related U.S. Application Data

[63] Continuation of application No. 08/594,224, Jan. 31, 1996, abandoned.

[51] **LOC (6) CL.** **12-05**

[52] **U.S. Cl.** **D34/33; D25/62**

[58] **Field of Search** **182/142, 149; D25/62; D34/33**

[56] **References Cited**

U.S. PATENT DOCUMENTS

D. 207,723	5/1967	Kane	D25/62
224,376	2/1880	Armstrong .	
D. 278,172	3/1985	Ellis	D34/33
1,085,208	1/1914	Jones .	
3,131,907	5/1964	Brown	182/149
3,280,939	10/1966	Smith .	

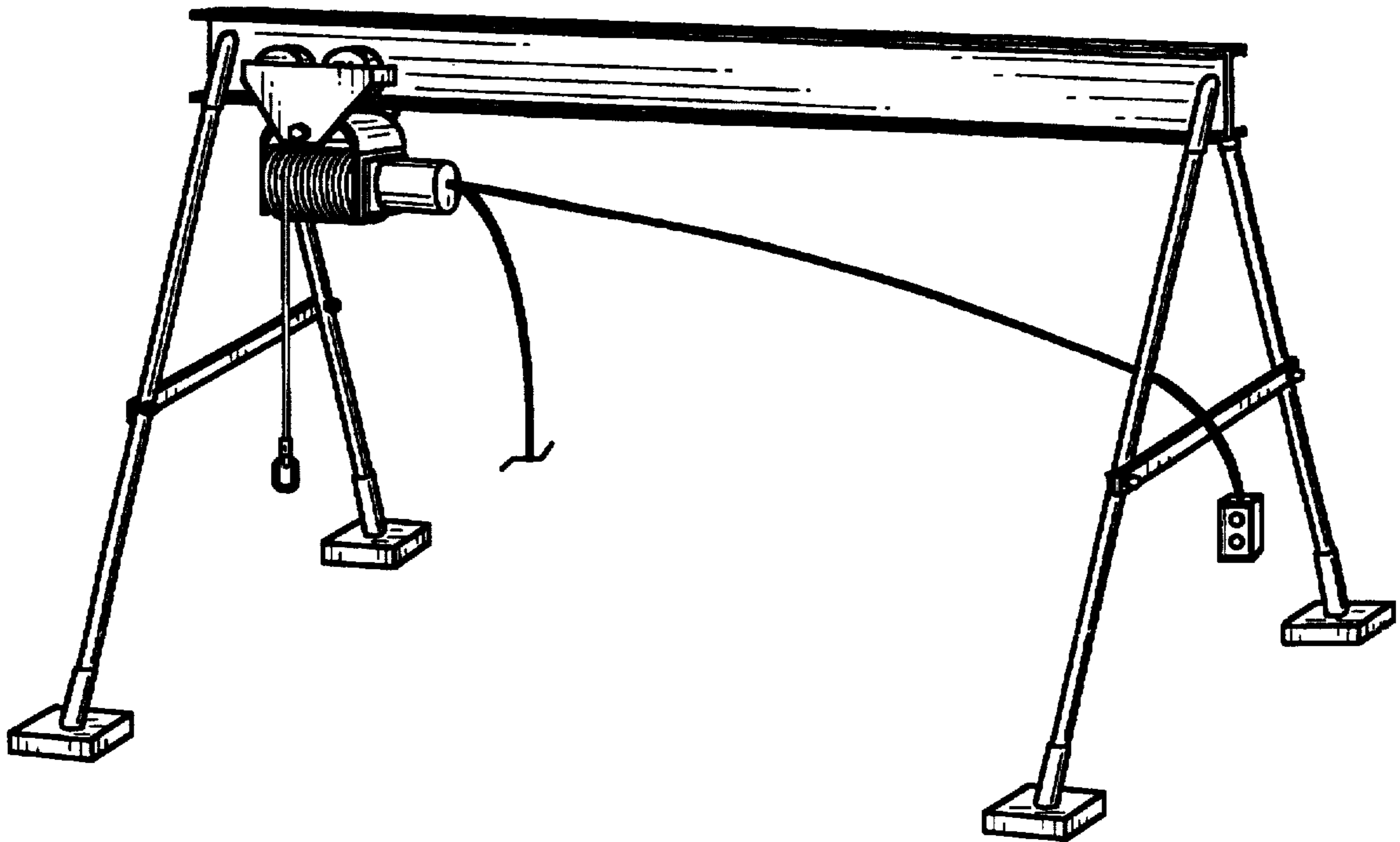
[57] **CLAIM**

I claim the ornamental design for the portable roof lifting apparatus, as shown and described.

DESCRIPTION

FIG. 1 is a perspective view of the portable roof lifting apparatus showing my design; FIG. 2 is a top plan view thereof; FIG. 3 is a front elevation thereof; FIG. 4 is a left side elevational view thereof; FIG. 5 is a right side elevational view thereof; FIG. 6 is a back elevational view thereof; and, FIG. 7 is a bottom plan view thereof. The cord is broken away on the end indicating indefinite length.

1 Claim, 2 Drawing Sheets



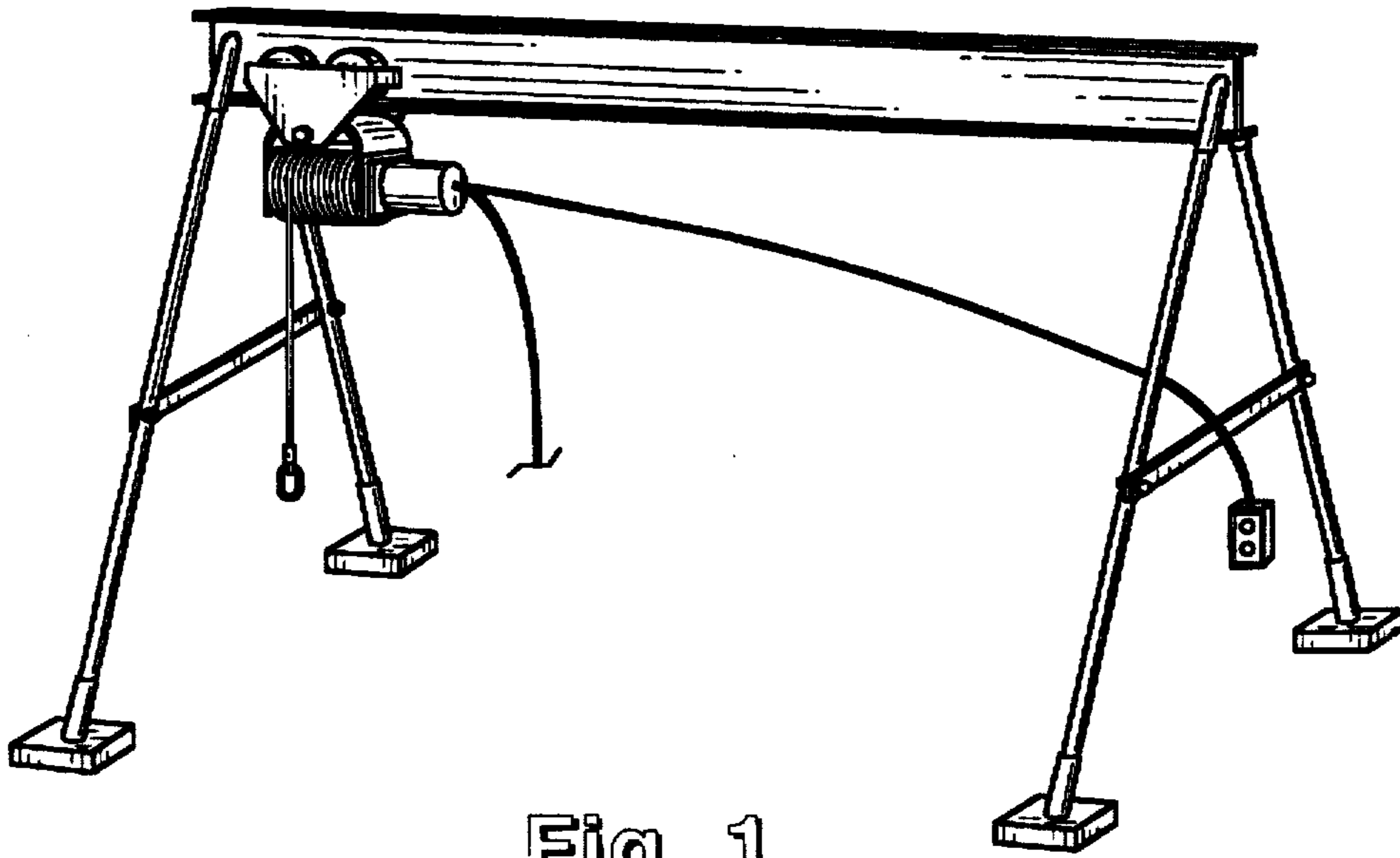


Fig. 1

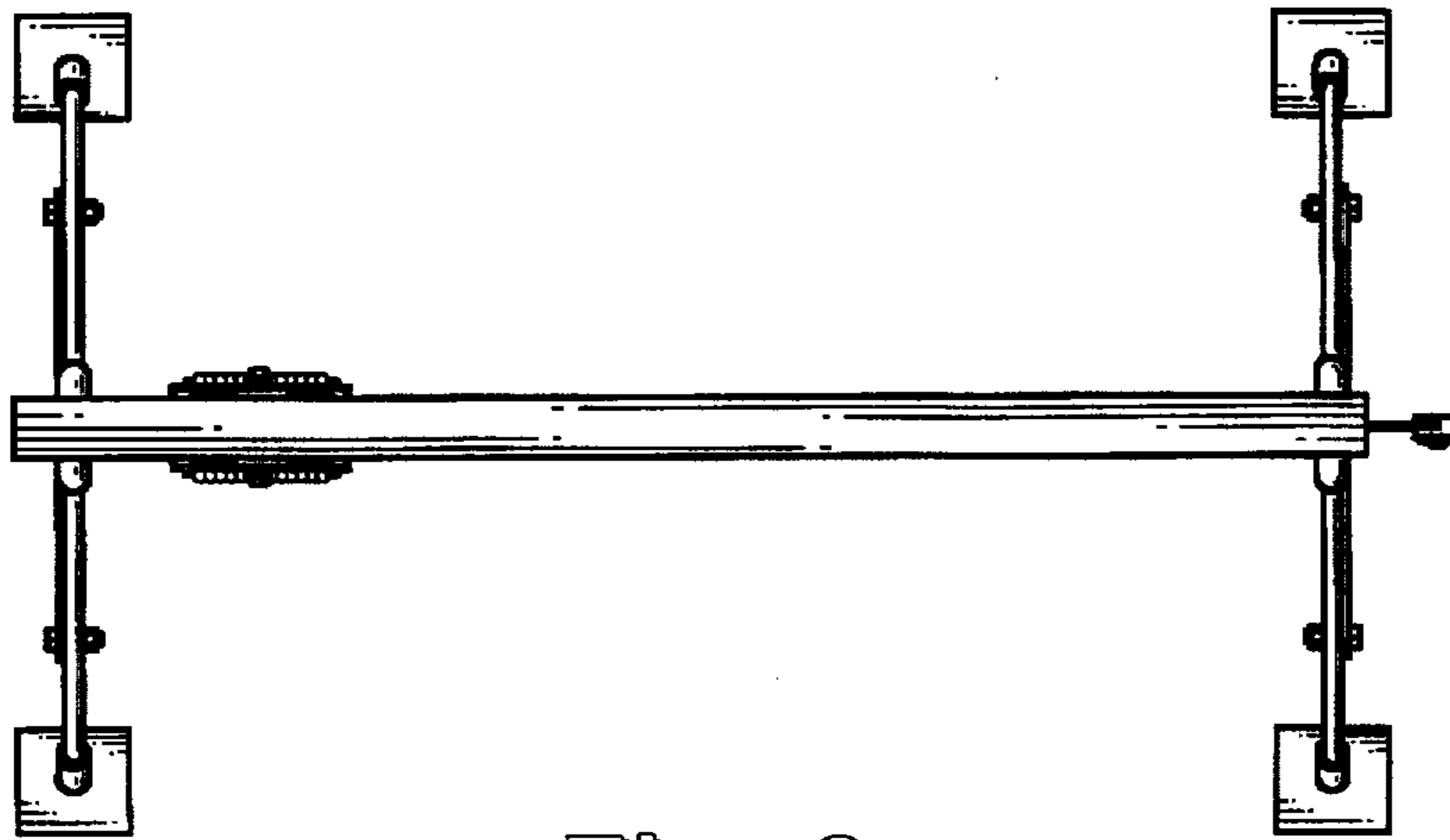


Fig. 2

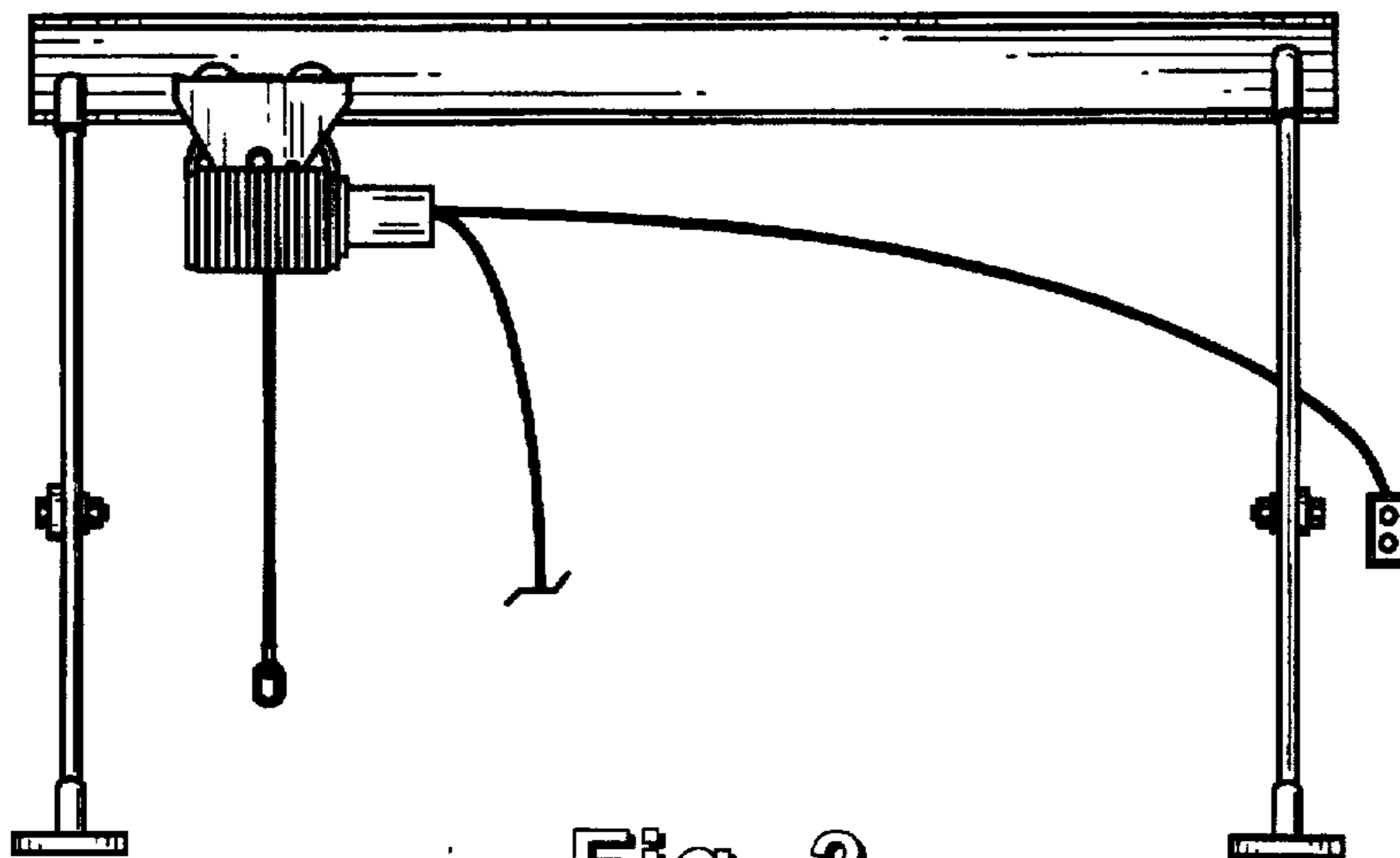


Fig. 3

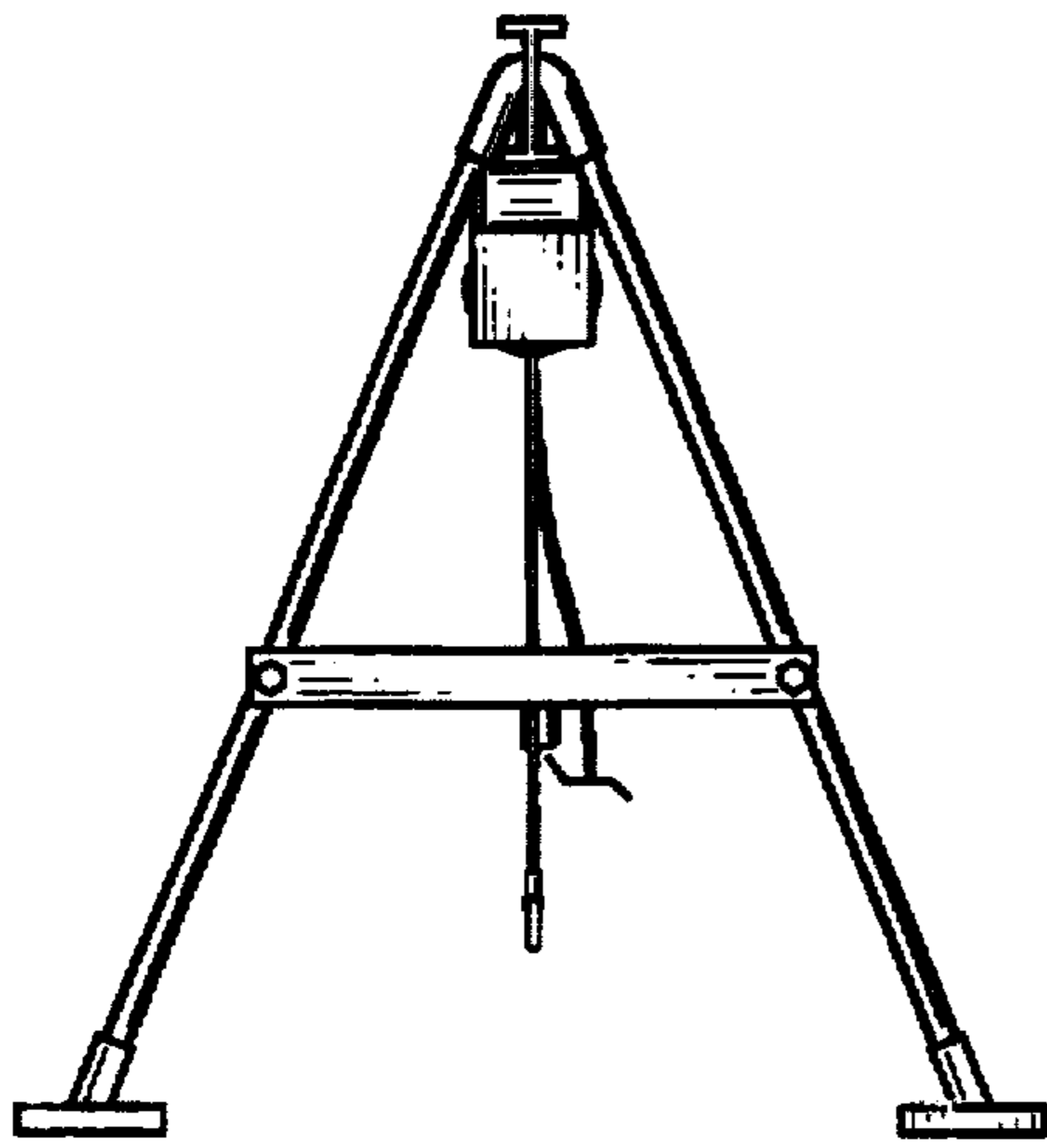


Fig. 4

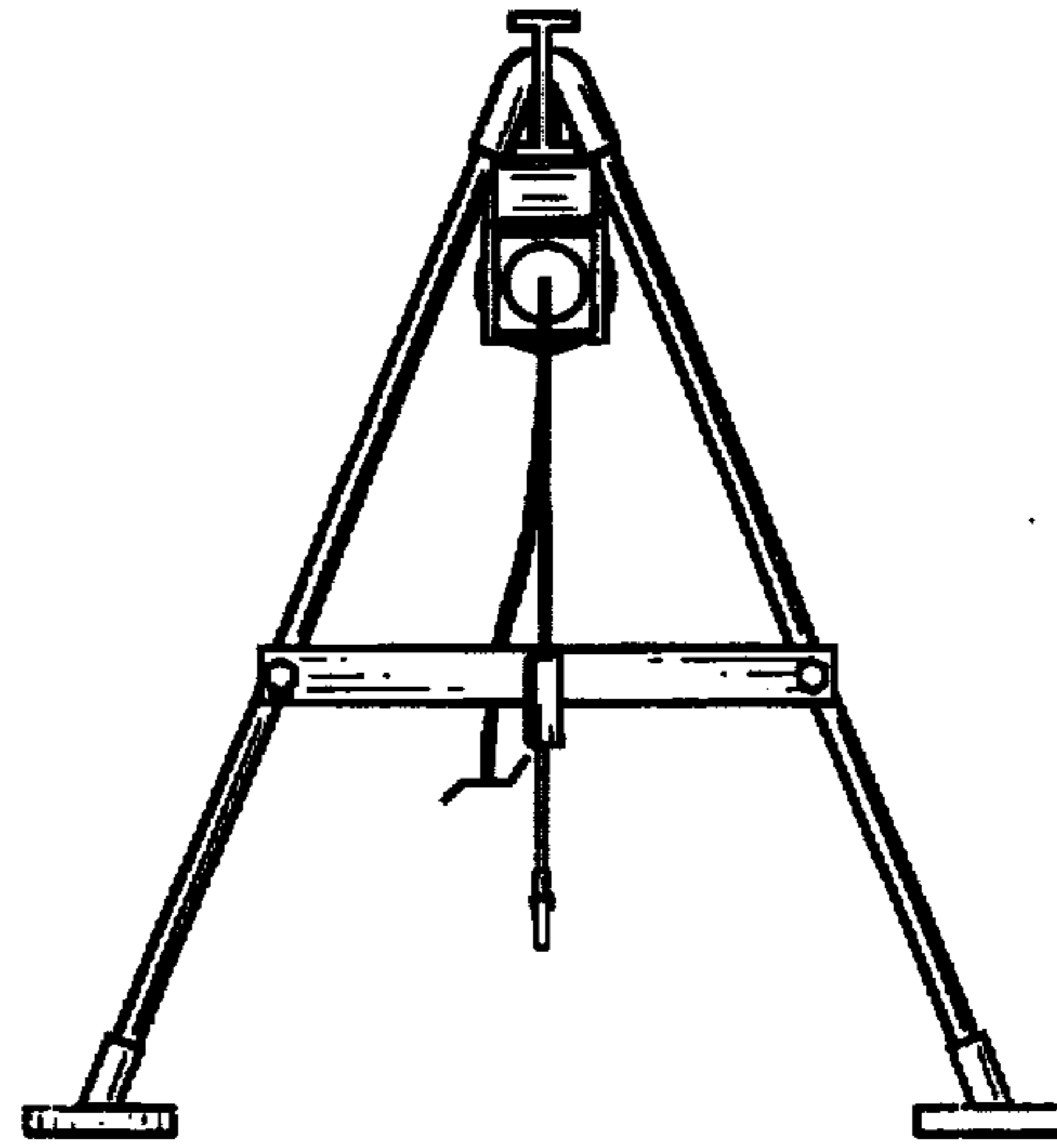


Fig. 5

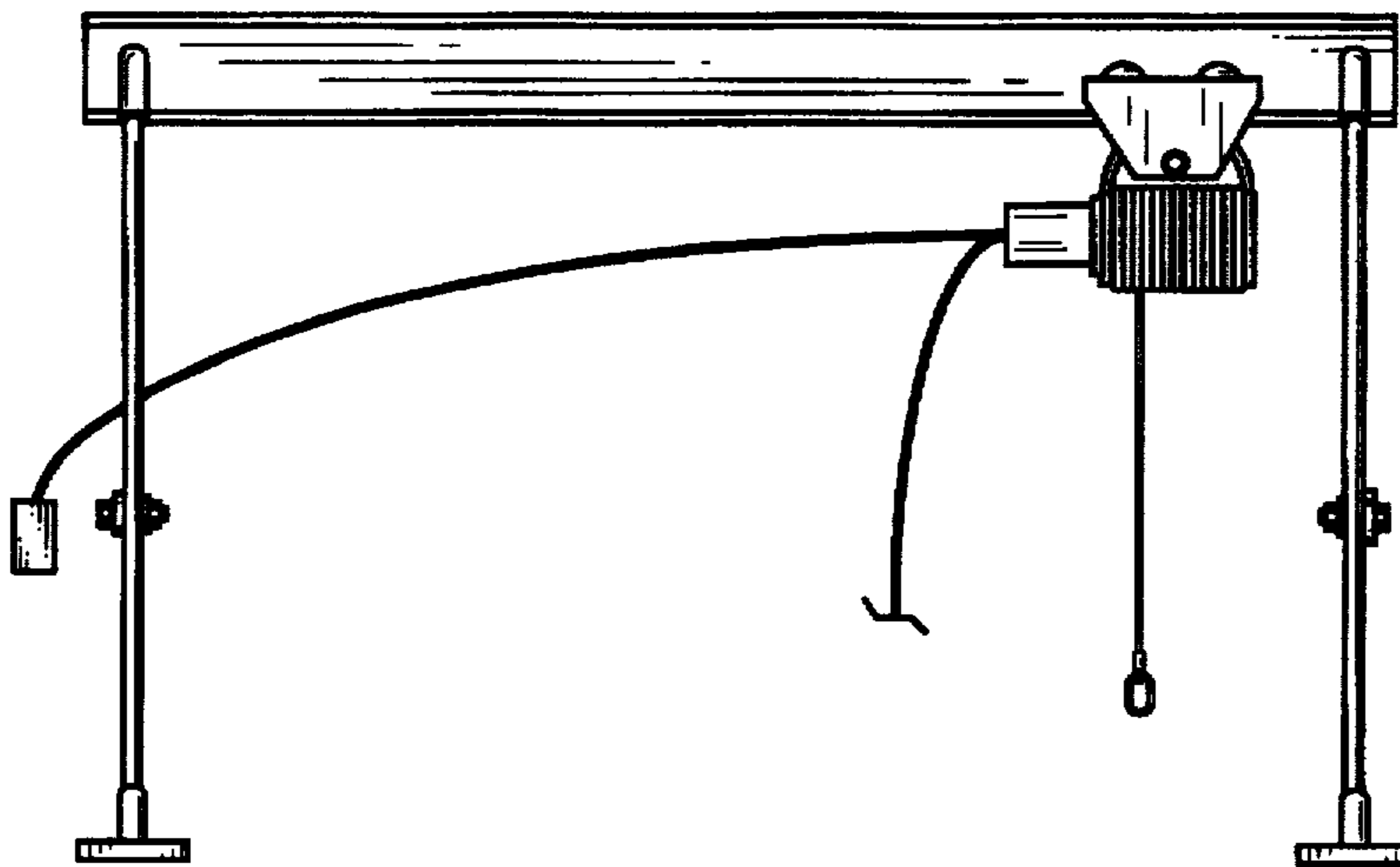


Fig. 6

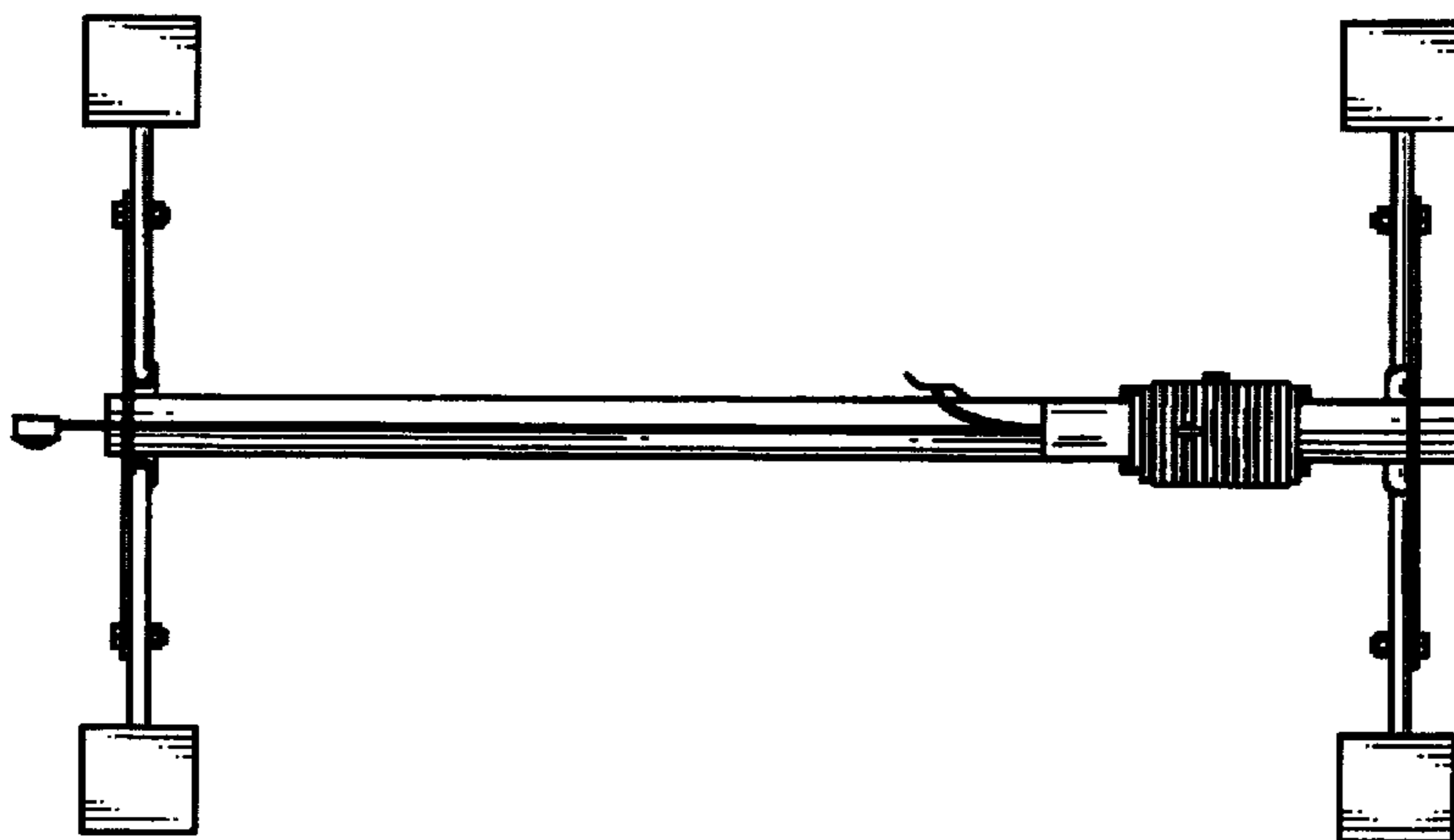


Fig. 7