



US00D408607S

United States Patent [19]

Shuchart et al.

[11] Patent Number: **Des. 408,607**

[45] Date of Patent: ****Apr. 20, 1999**

[54] **WHEELBARROW LEG EXTENSION**

3,683,825	8/1972	Sheldon	108/33
4,589,508	5/1986	Hoover et al.	180/19.1
4,705,280	11/1987	Burns	280/40
5,087,061	2/1992	Wallace	280/30

[75] Inventors: **Larry F. Shuchart, Dallastown;**
Michael J. Lupey, York, both of Pa.

[73] Assignee: **True Temper Hardware Co., Camp Hill, Pa.**

Primary Examiner—Kay H. Chin
Attorney, Agent, or Firm—Eckert Seamans Cherin & Mellott, LLC

[**] Term: **14 Years**

[57] CLAIM

[21] Appl. No.: **29/091,343**

The ornamental design for a wheelbarrow leg extension, as shown and described.

[22] Filed: **Jul. 29, 1998**

DESCRIPTION

[51] LOC (6) CL **12-02**

[52] U.S. Cl. **D34/27**

[58] Field of Search **D34/12-27; 280/40, 280/655, 656, 767, 47, 31, 30, 23; 298/3**

FIG. 1 is a side elevational view of a wheelbarrow leg extension showing our new design, the broken lines are for illustrative purposes only and form no part of the claimed design;

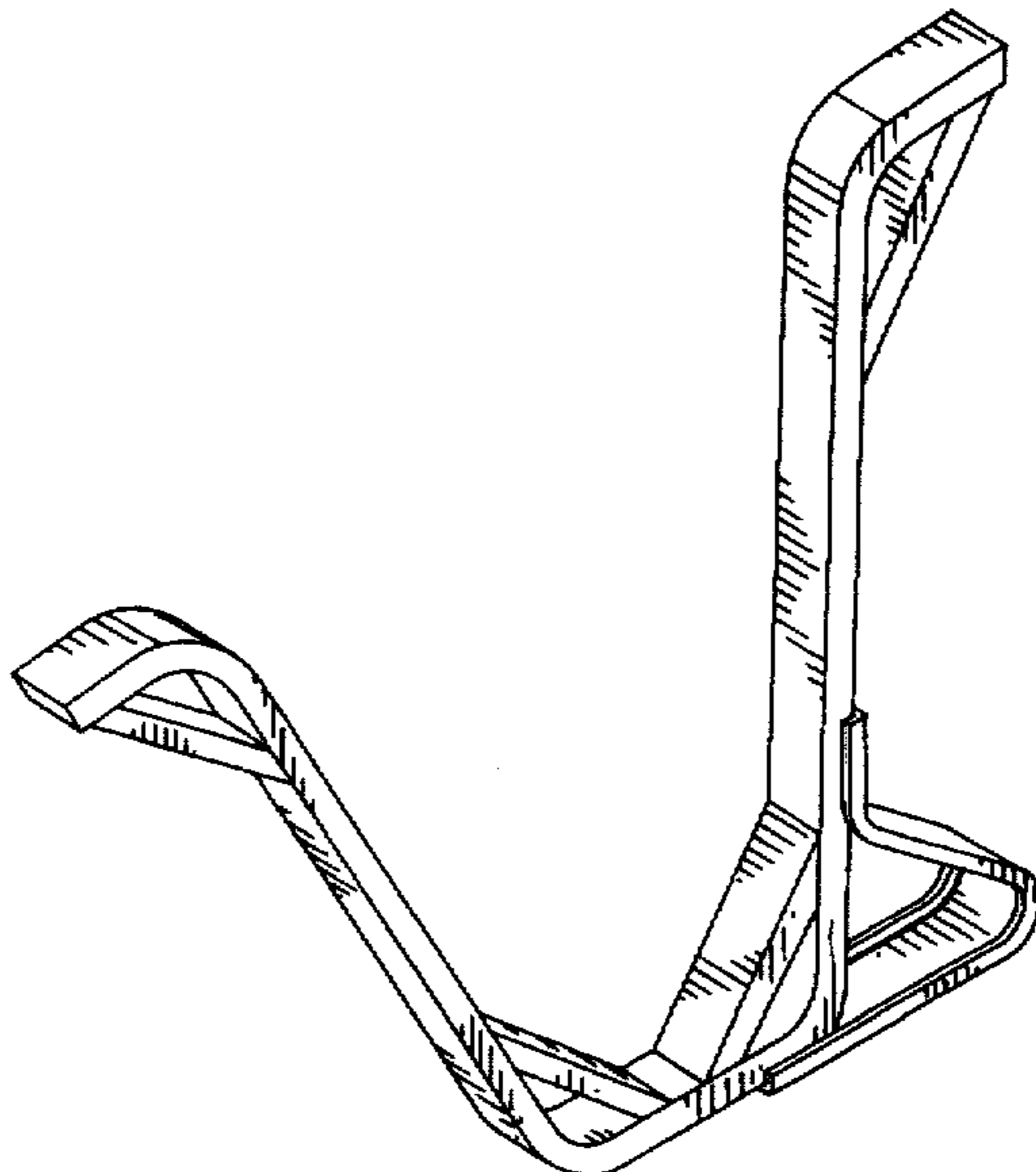
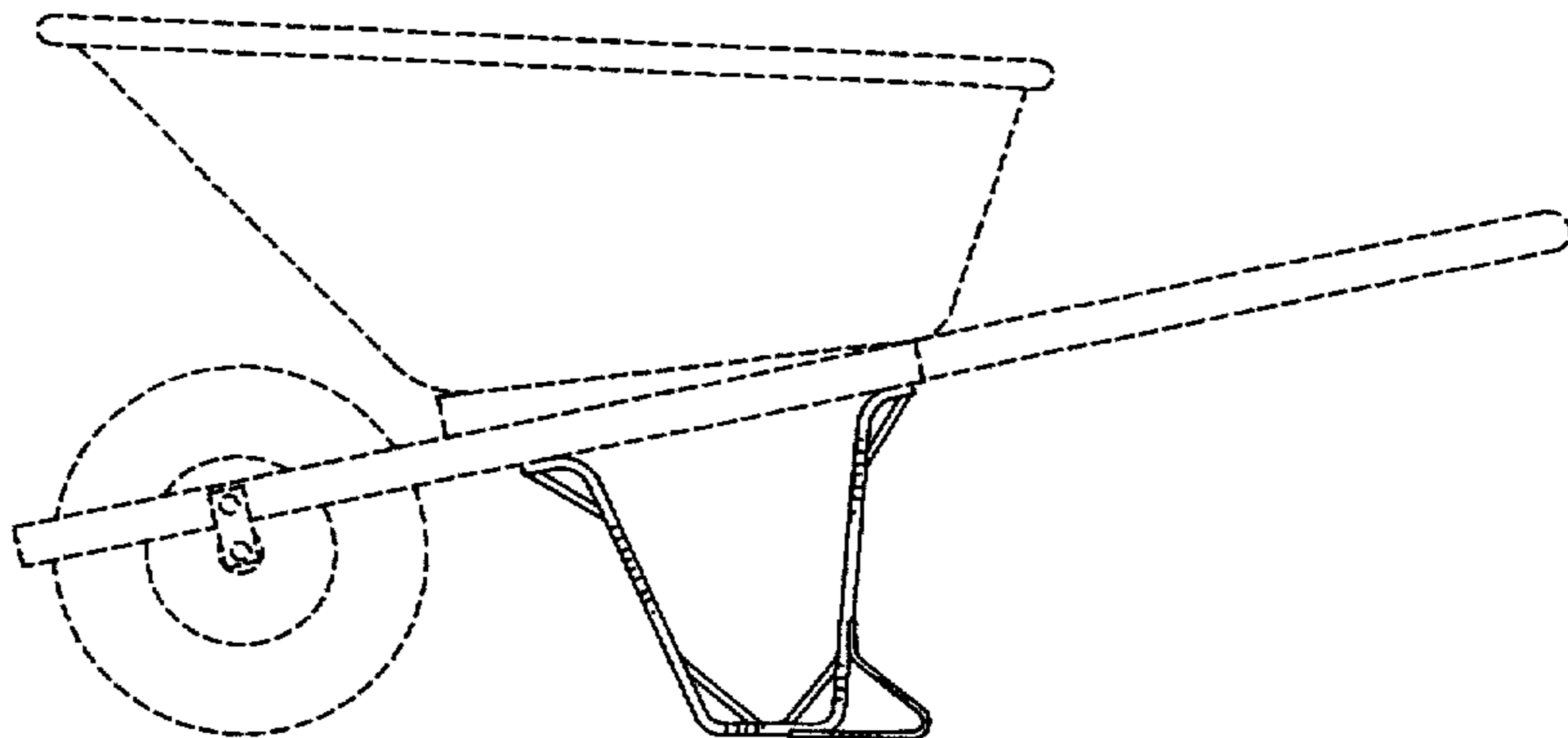
- FIG. 2 is a perspective view thereof;
- FIG. 3 is a right side elevational view thereof;
- FIG. 4 is a left side elevational view thereof;
- FIG. 5 is a rear elevational view thereof;
- FIG. 6 is a front elevational view thereof;
- FIG. 7 is a top plan view thereof; and,
- FIG. 8 is a bottom plan view thereof.

[56] References Cited

U.S. PATENT DOCUMENTS

D. 34,934	8/1901	Cooper	D34/16
658,606	9/1900	Willsea	280/47.31
817,677	4/1906	Smith	280/47.23
1,321,982	11/1919	Choate	108/13
2,268,748	1/1942	Glenny	108/176
2,692,175	10/1954	Jacques	108/124
3,604,753	9/1971	Couture	298/3

1 Claim, 3 Drawing Sheets



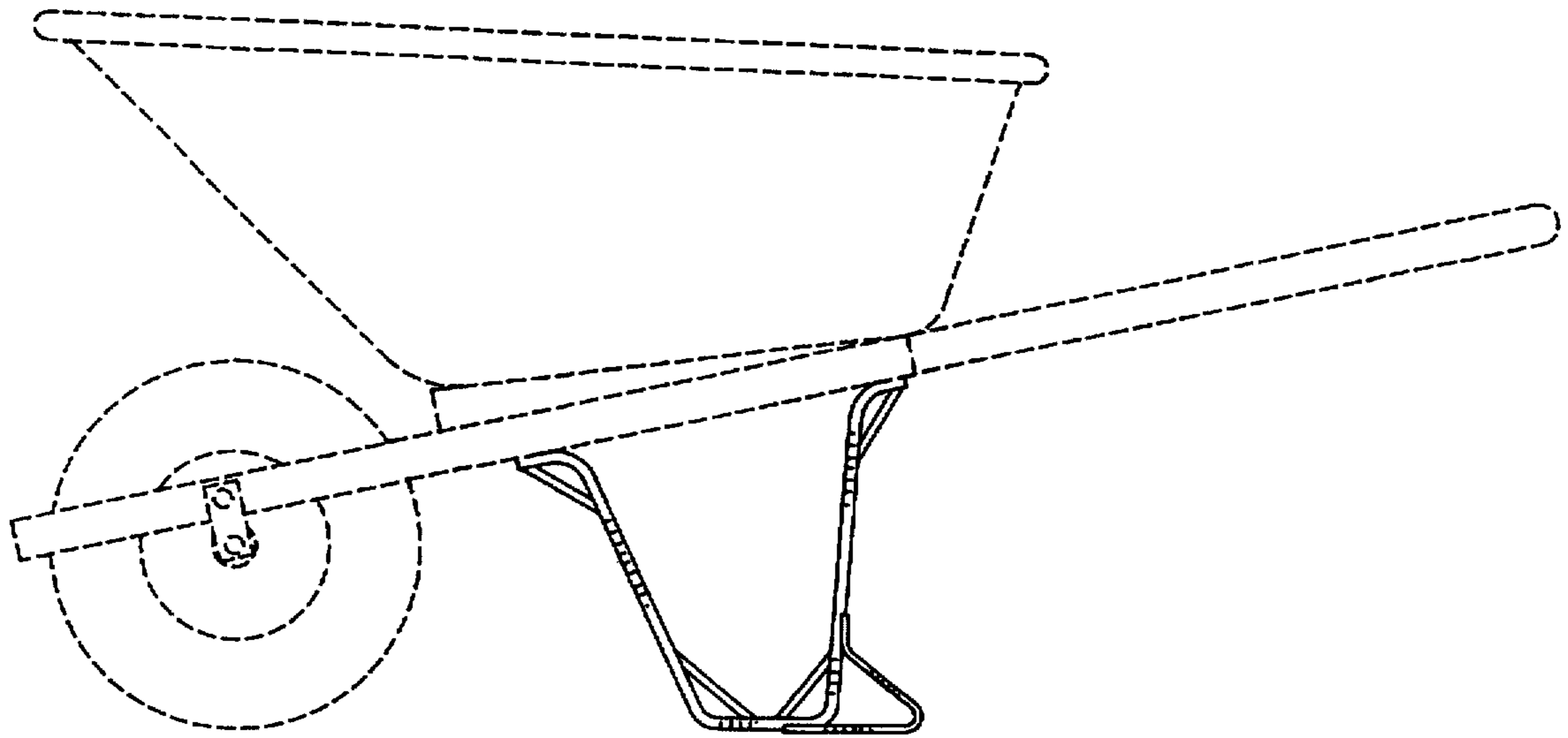


FIG. 1

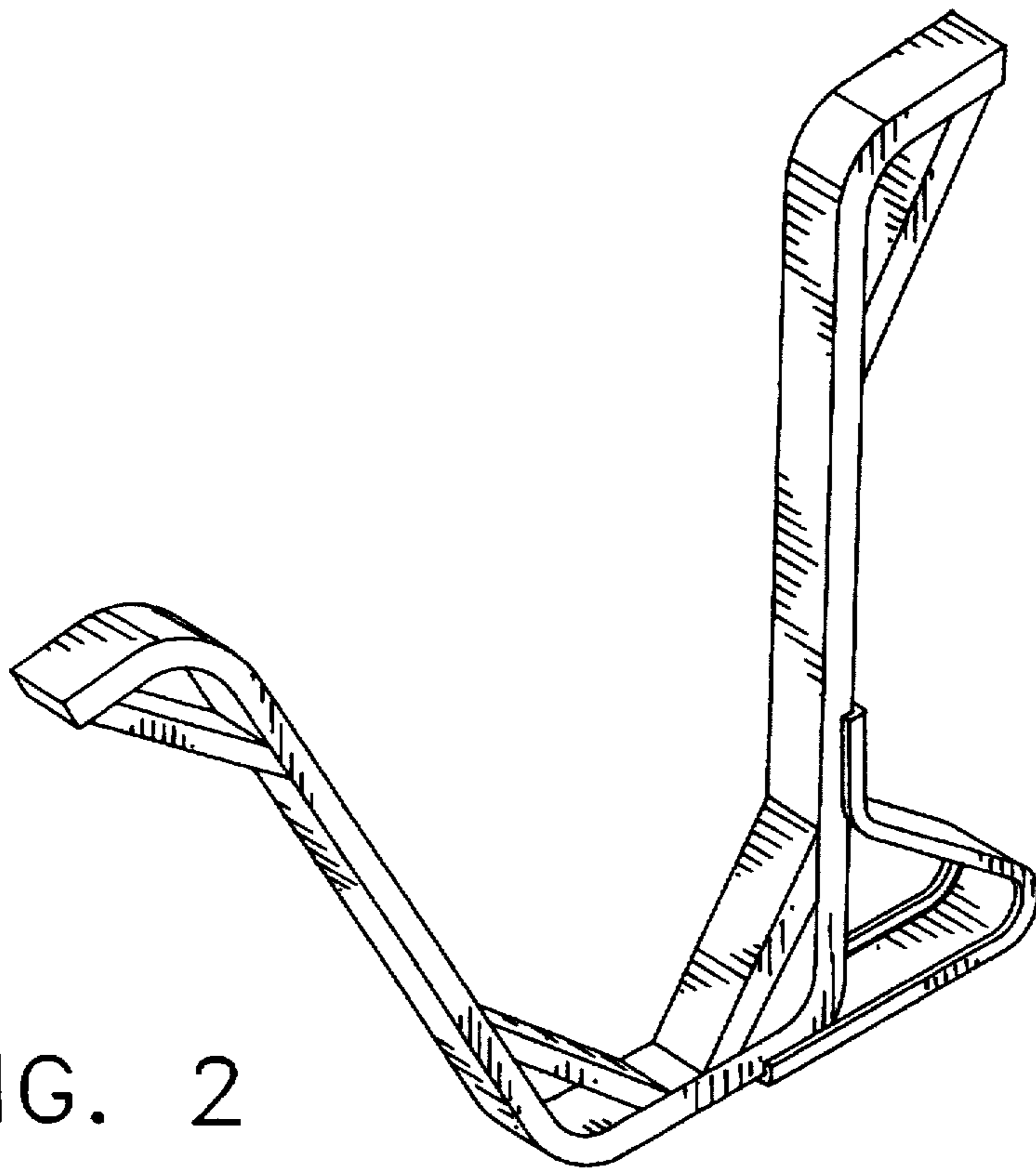


FIG. 2

FIG. 3

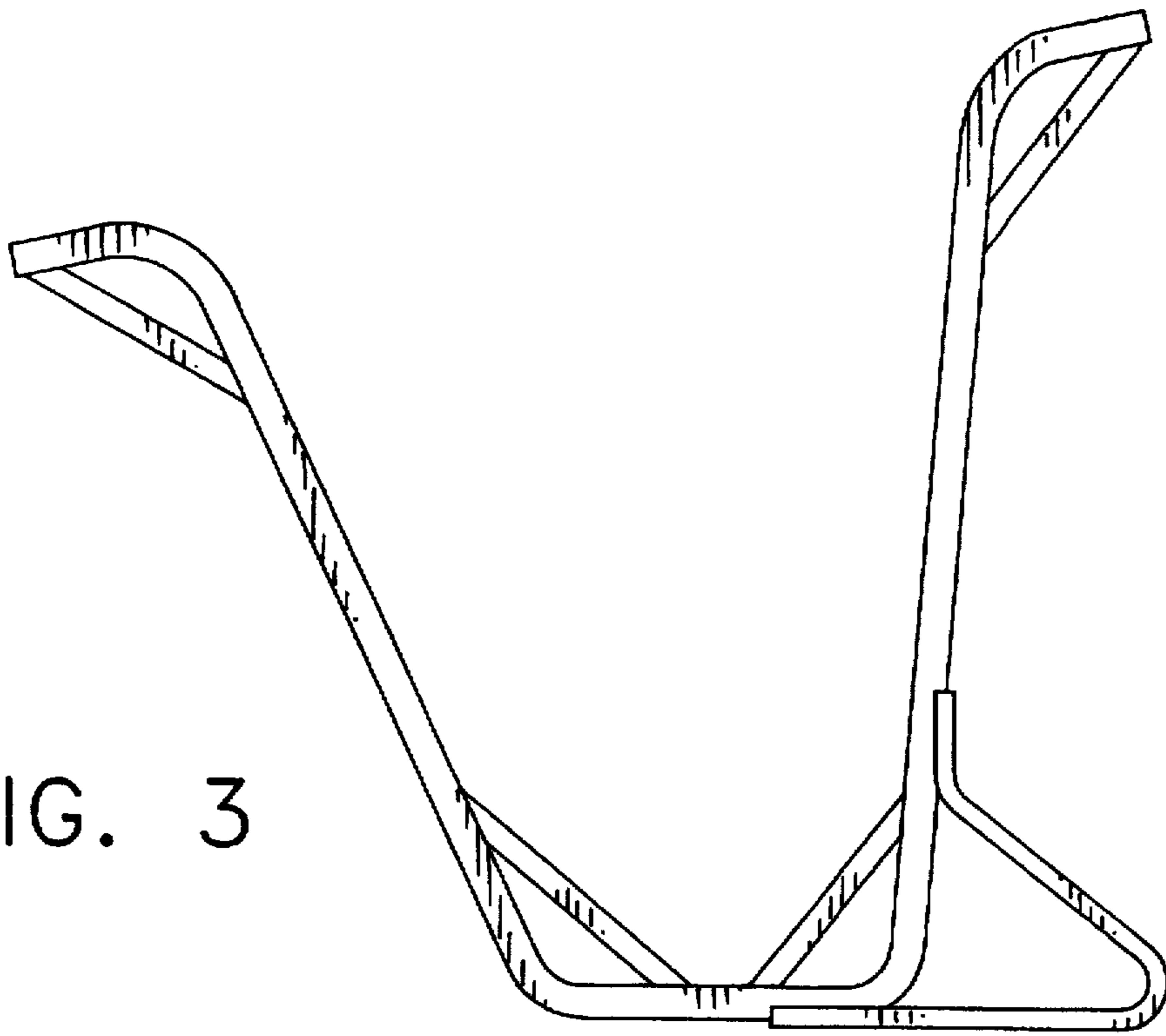


FIG. 4

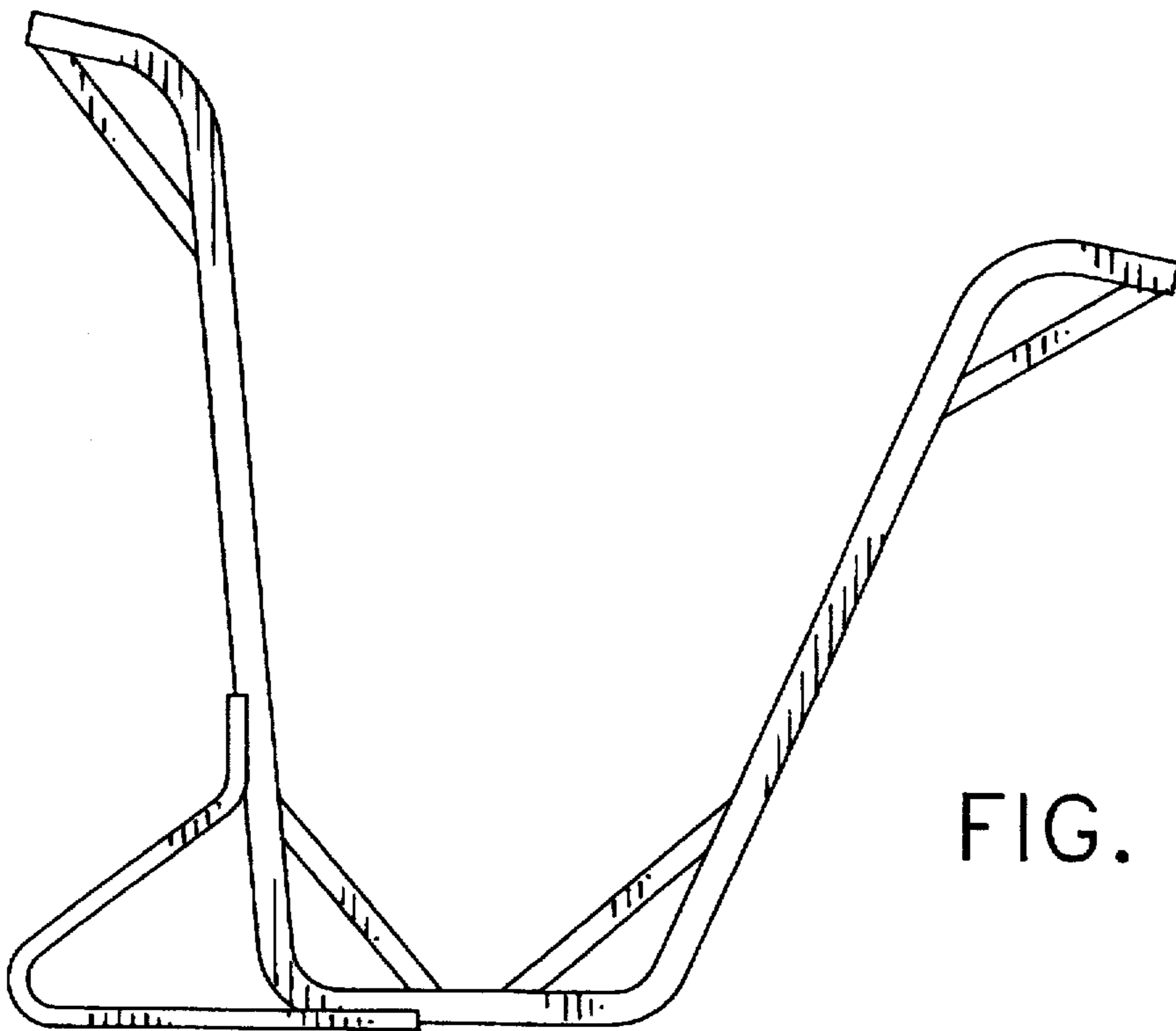




FIG. 5



FIG. 6

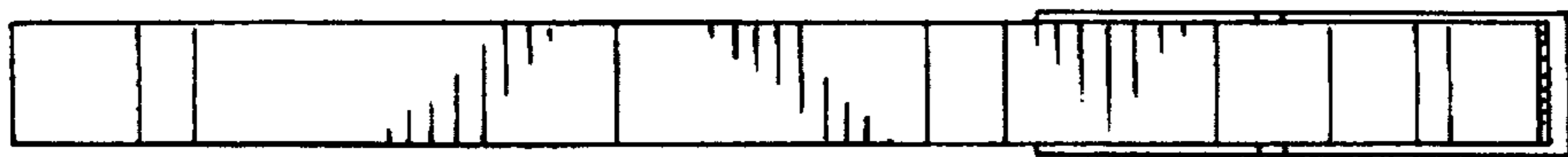


FIG. 7

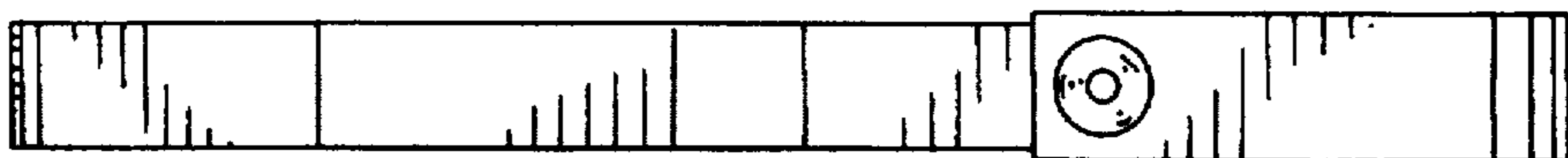


FIG. 8