



US00D408602S

United States Patent [19]
Carlson

[11] **Patent Number: Des. 408,602**

[45] **Date of Patent: **Apr. 20, 1999**

[54] **MOP BUCKET**

D. 353,241 12/1994 Breen D32/53
4,716,619 1/1988 Young 15/264

[75] **Inventor: Arthur Richard Carlson, Hawthorn East, Australia**

Primary Examiner—Alan P. Douglas
Assistant Examiner—Robin V. Taylor
Attorney, Agent, or Firm—McDermott, Will & Emery

[73] **Assignee: The Decor Corporation Pty Ltd, Victoria, Australia**

[57] **CLAIM**

[**] **Term: 14 Years**

The ornamental design for a mop bucket, as shown and described.

[21] **Appl. No.: 29/083,641**

[22] **Filed: Feb. 13, 1998**

DESCRIPTION

[51] **LOC (6) Cl. 07-07**

[52] **U.S. Cl. D32/53**

[58] **Field of Search D32/53, 53.1, D32/54; 15/260, 263, 264, 119.1, 120.1**

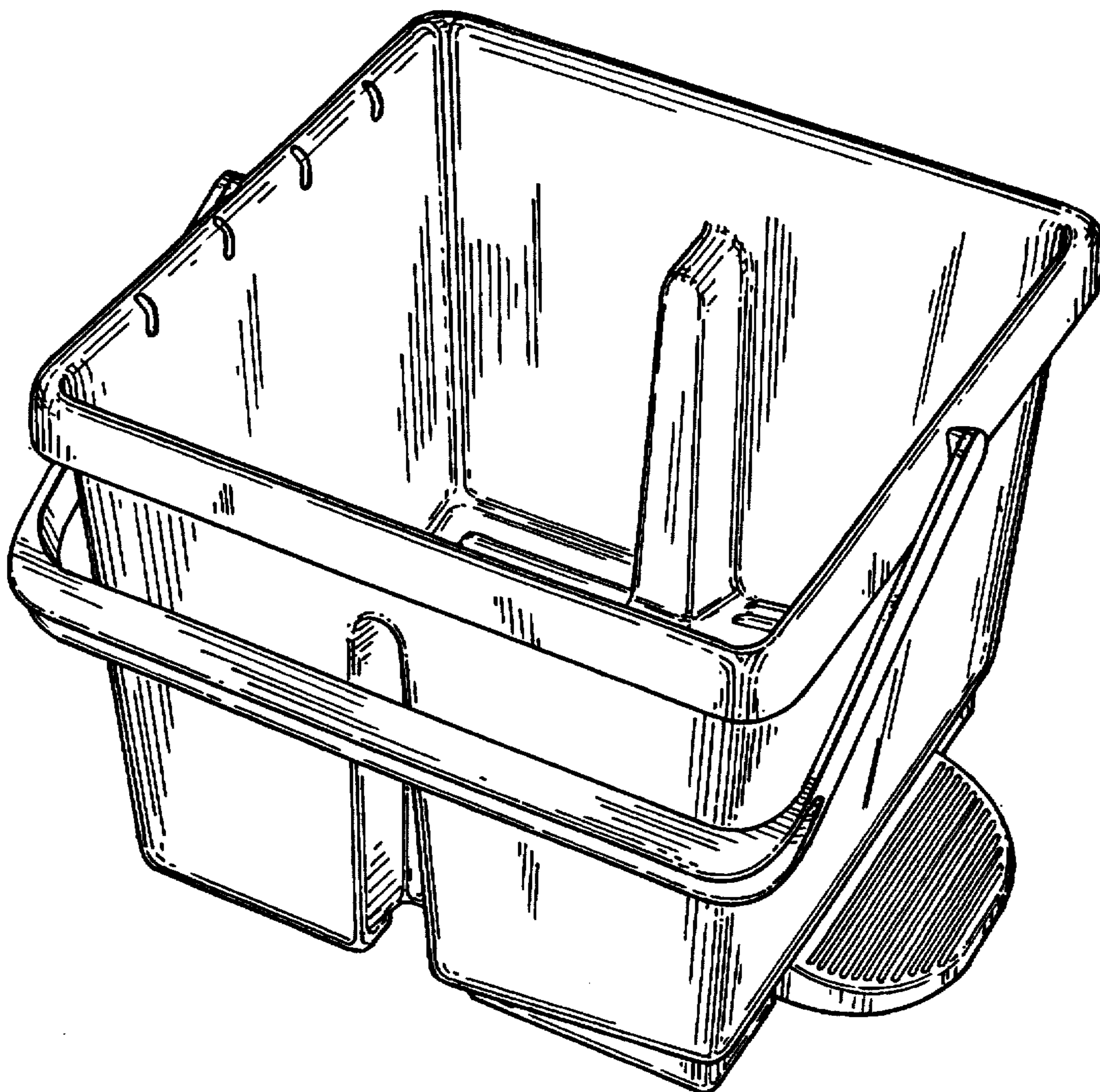
FIG. 1 is a perspective view from above and one side thereof;
FIG. 2 is a plan view thereof;
FIG. 3 is a side view thereof;
FIG. 4 is a front view thereof;
FIG. 5 is a rear view thereof;
FIG. 6 is an underneath view thereof; and,
FIG. 7 is a cross-sectional view taken along line 7—7 of FIG. 2.

[56] **References Cited**

U.S. PATENT DOCUMENTS

D. 248,610 7/1978 Schwartz D32/53
D. 270,961 10/1983 Hawkins et al. D32/53
D. 320,295 9/1991 Delmerico D32/53

1 Claim, 5 Drawing Sheets



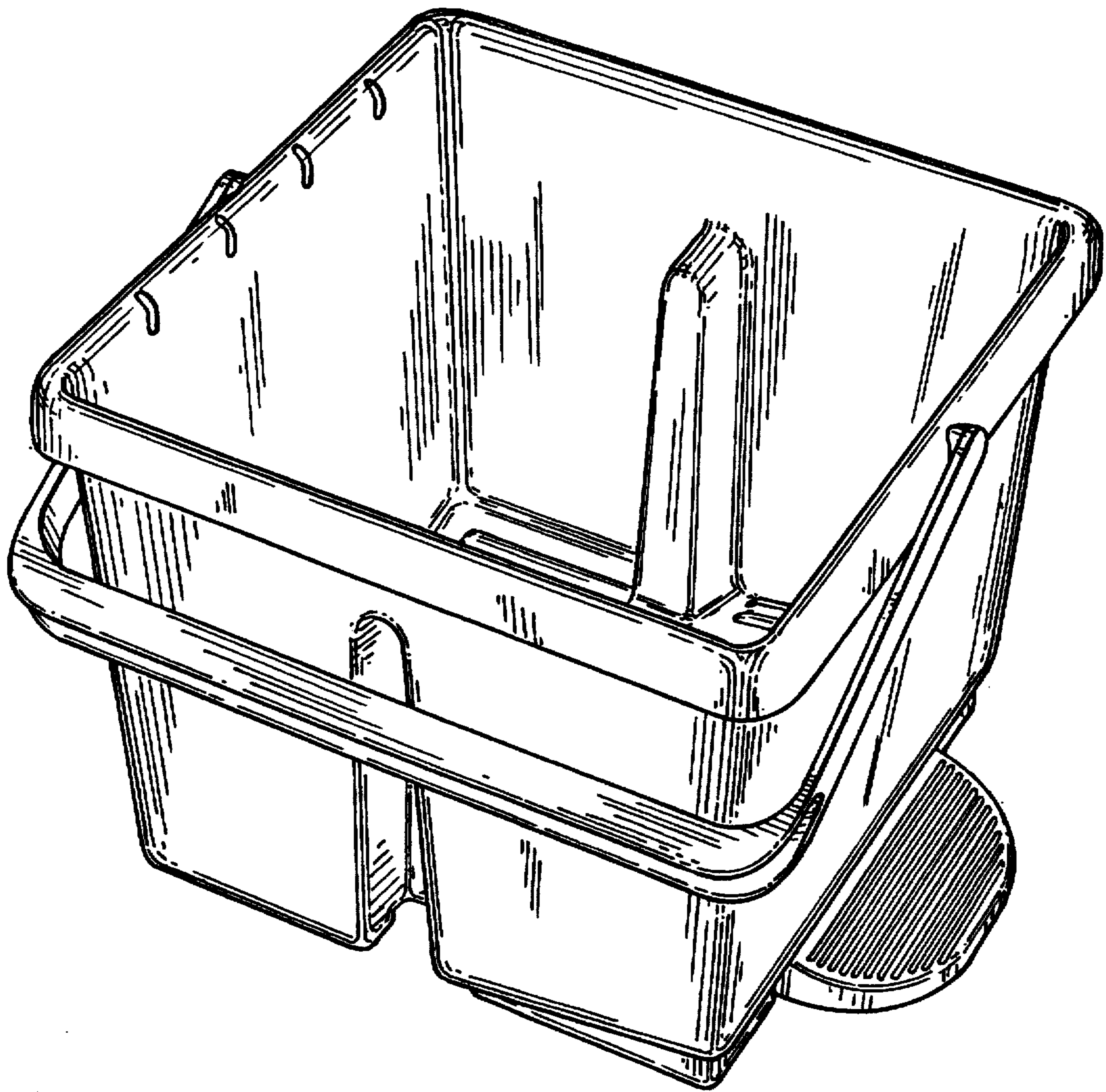


FIG. 1.

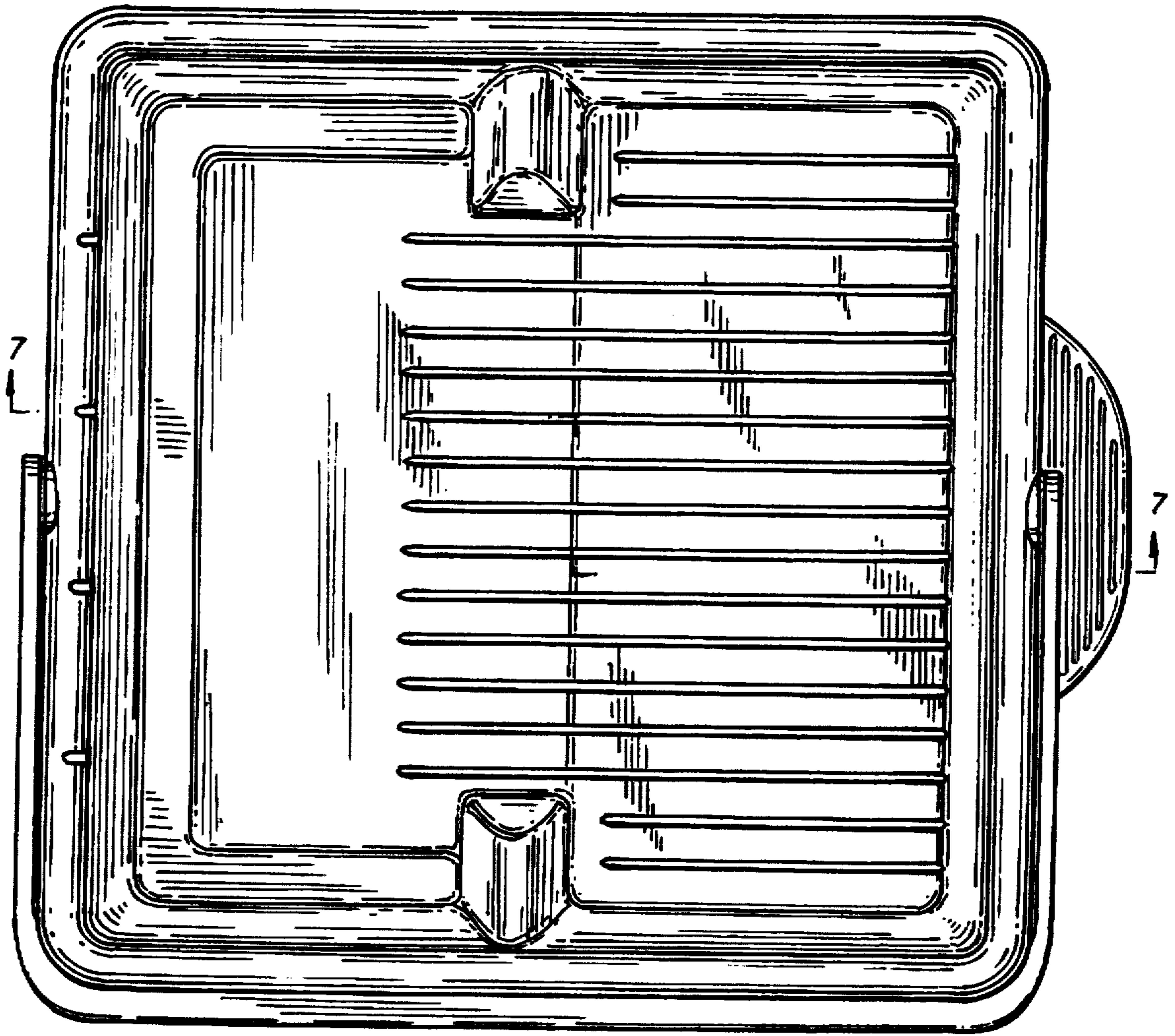


FIG. 2.

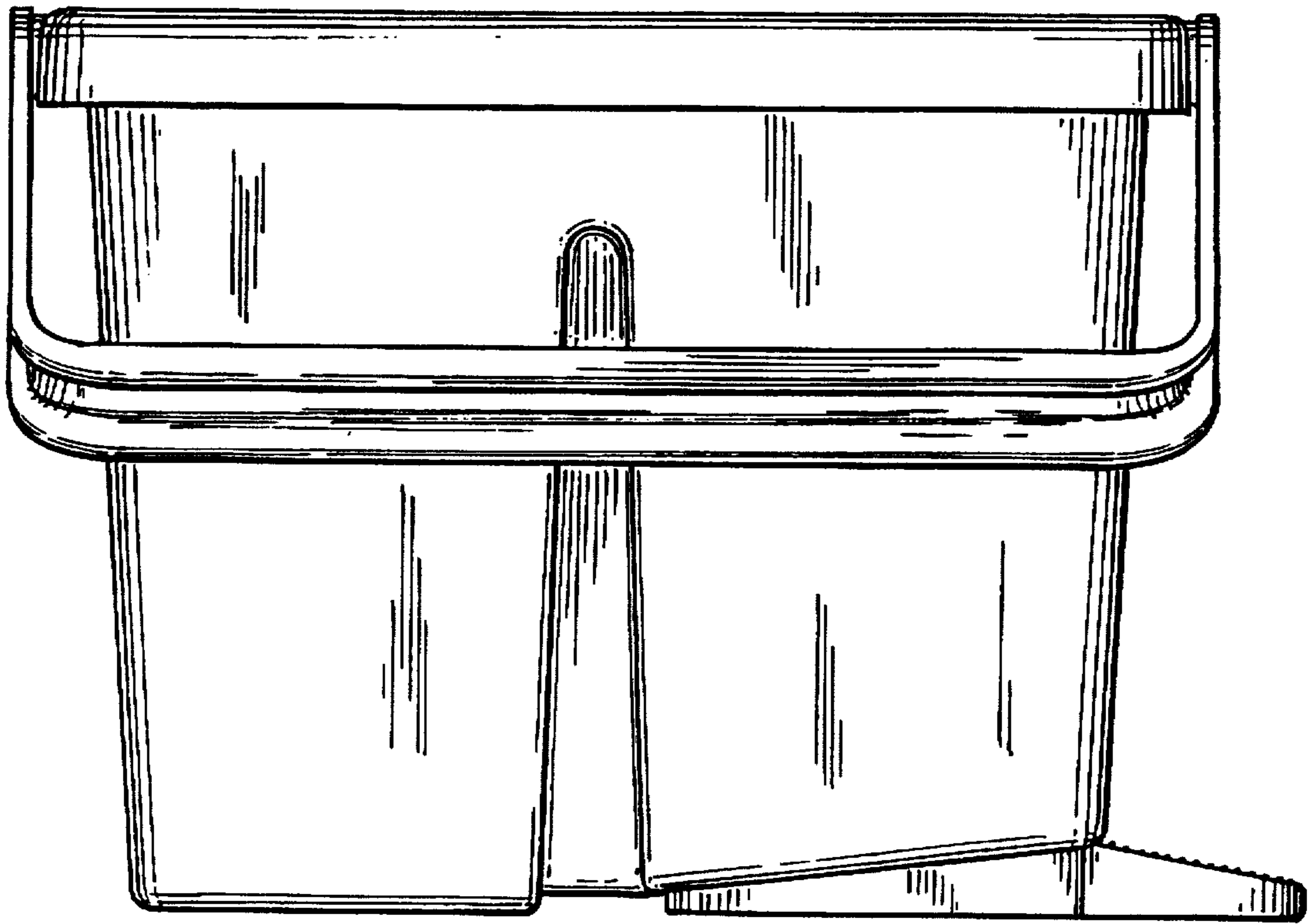


FIG. 3.

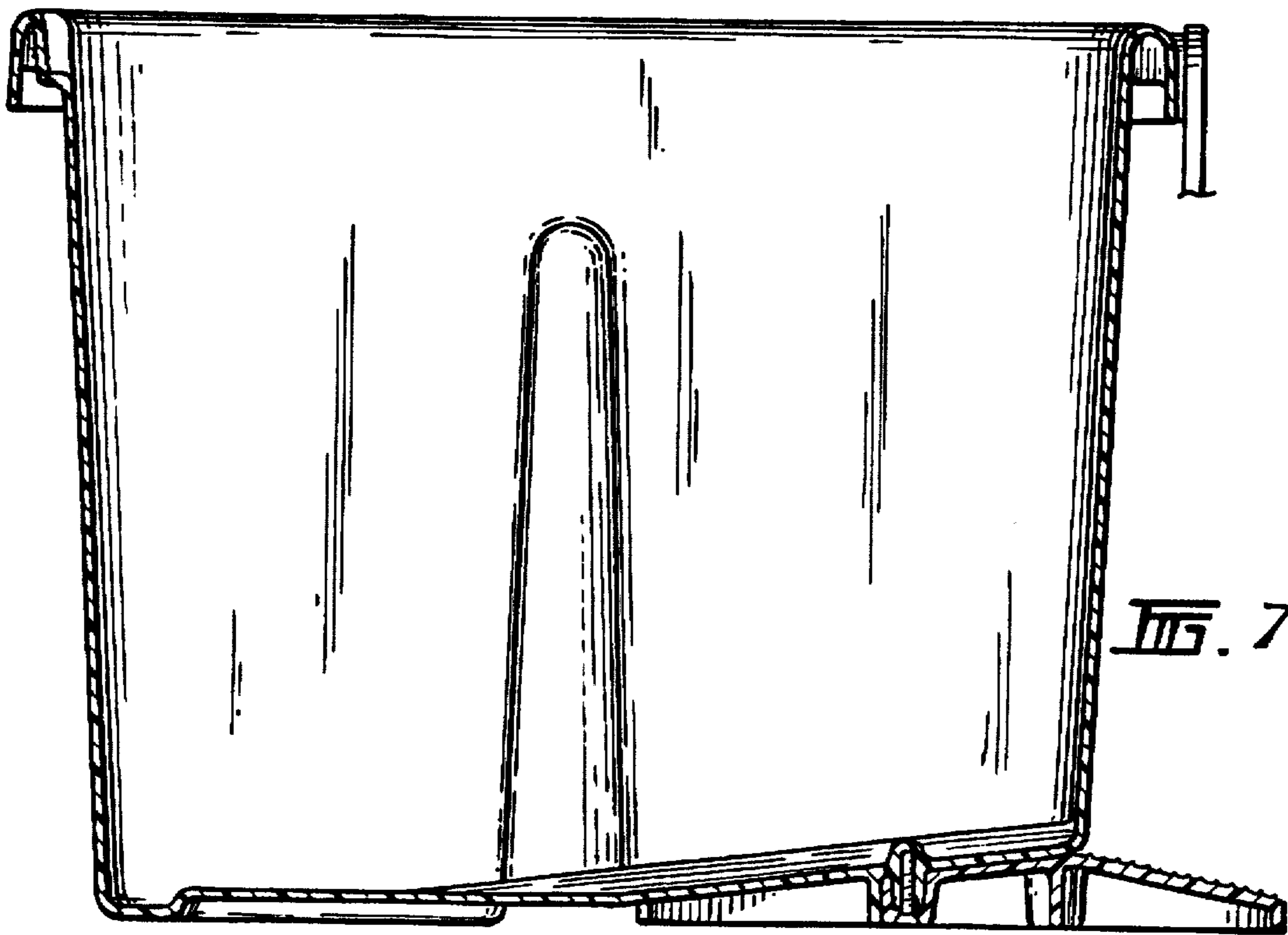


FIG. 7.

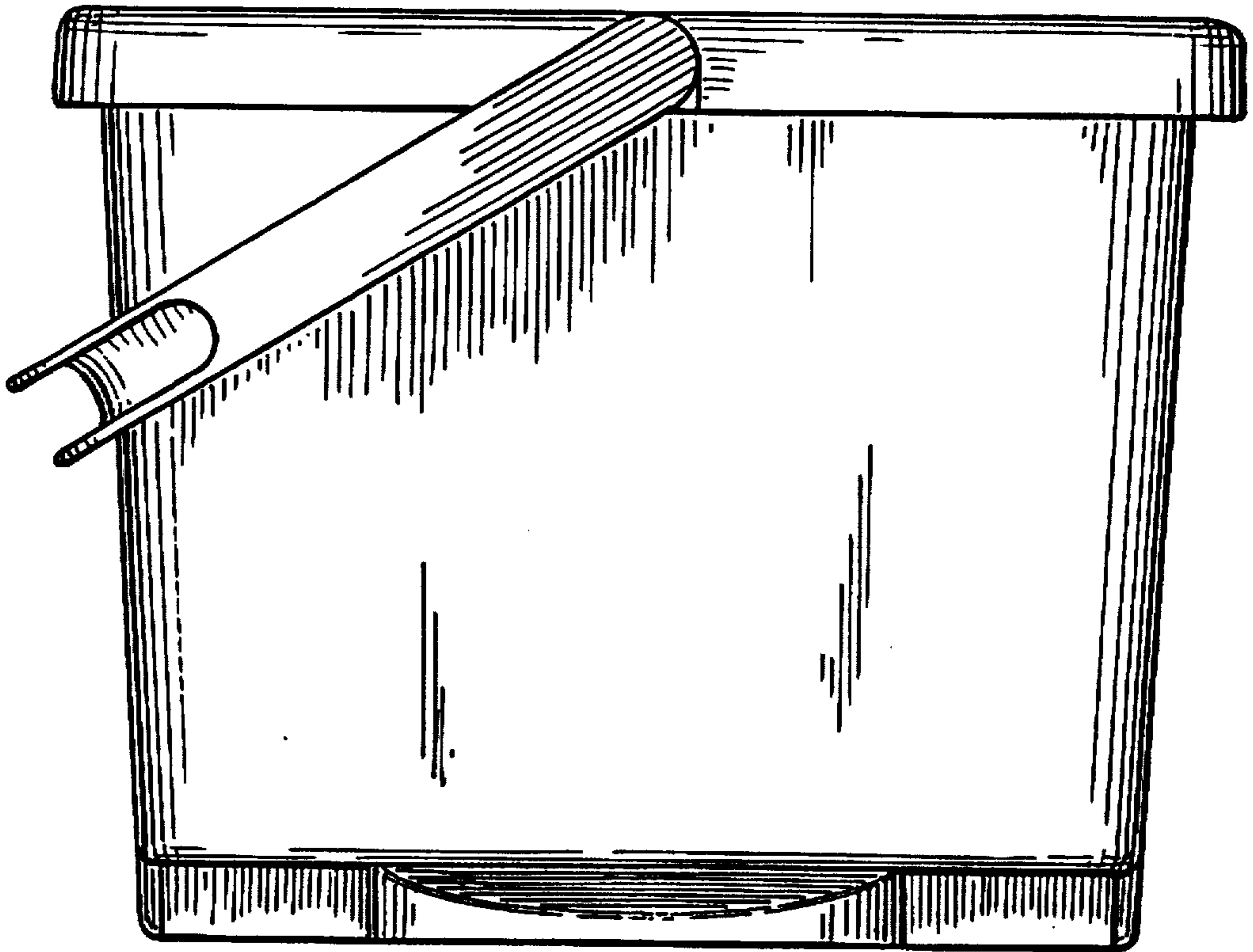


FIG. 4.

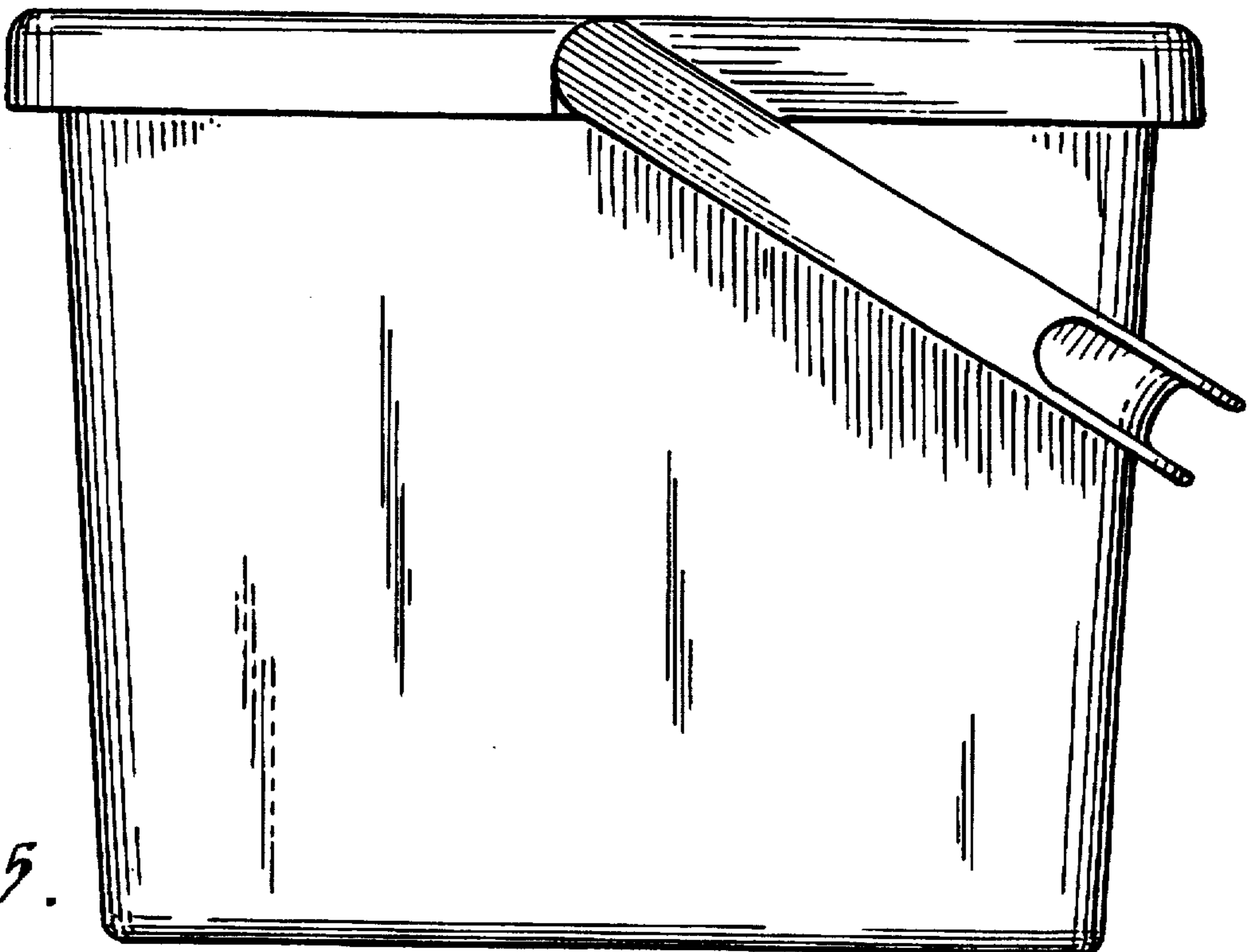


FIG. 5.

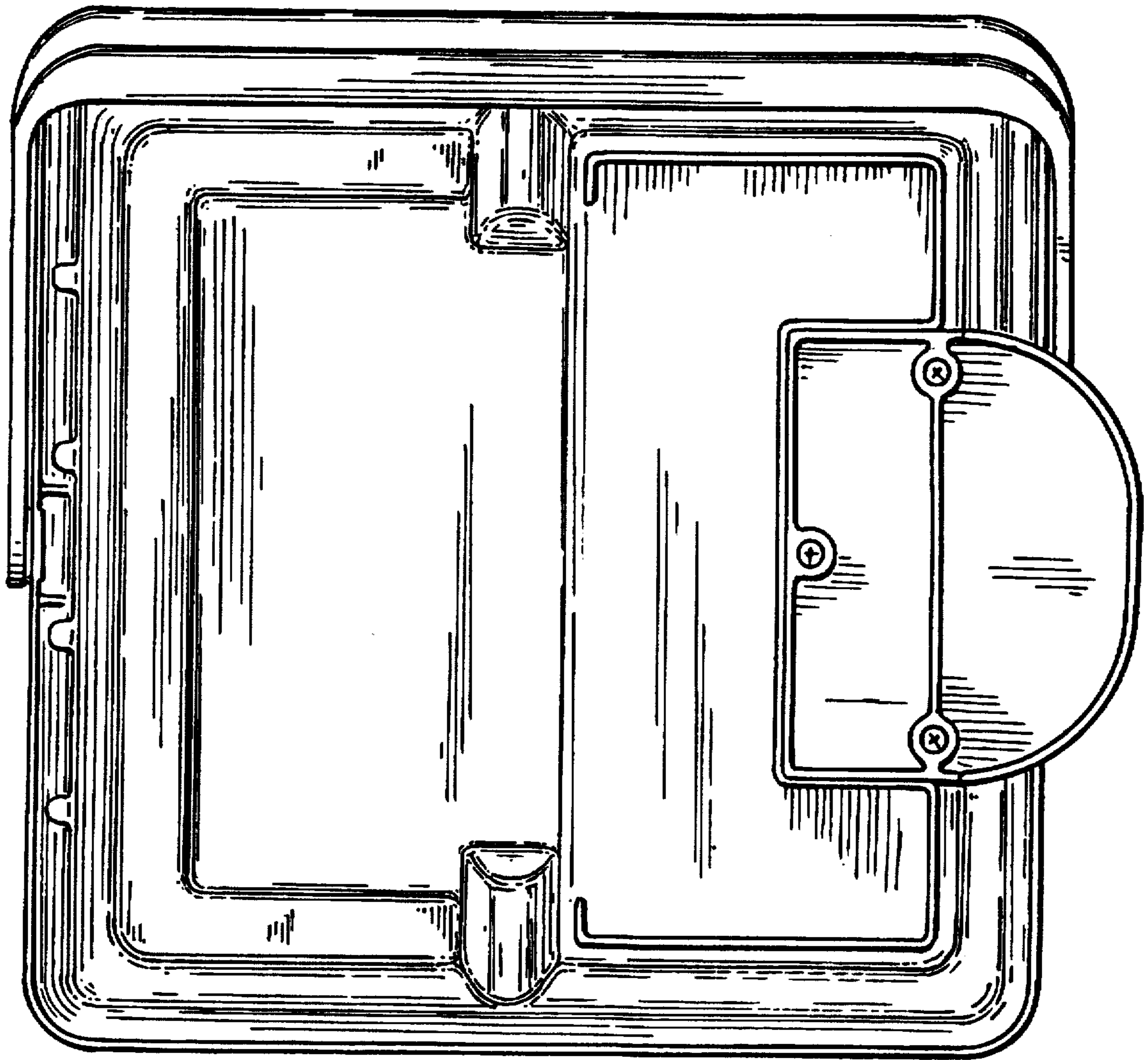


FIG. 6.