



US00D408599S

United States Patent [19]

Vice et al.

[11] Patent Number: **Des. 408,599**

[45] Date of Patent: ****Apr. 20, 1999**

[54] **SIFTER INSERT FOR A LITTER BOX**

[76] Inventors: **David W. Vice; Anne N. Vice**, both of 5401 DeMilo, Houston, Tex. 77092; **Michael A. Poujol; Angela G. Poujol**, both of 8733 Daffodil, Houston, Tex. 77063

[**] Term: **14 Years**

[21] Appl. No.: **29/071,530**

[22] Filed: **May 30, 1997**

[51] LOC (6) CL **30-99**

[52] U.S. Cl. **D30/161**

[58] Field of Search **D30/161; 116/161-170**

[56] **References Cited**

U.S. PATENT DOCUMENTS

D. 346,887	5/1994	Desveaux	D30/161
D. 351,489	10/1994	Helfrick	D30/161
D. 351,694	10/1994	Evabs	D30/161
D. 362,572	9/1995	Joseph, Jr.	D30/161

D. 363,369	10/1995	Hoth	D30/161
D. 364,944	12/1995	Blaine	D30/161
D. 378,451	3/1997	Schmidt	D30/161
3,908,597	9/1975	Taylor	119/166
4,325,325	4/1982	Larter	119/166
4,505,226	3/1985	Carlson	119/166
5,012,765	5/1991	Naso et al.	119/166
5,598,810	2/1997	Lawton, III	119/166

Primary Examiner—Cathy Anne MacCormac
Attorney, Agent, or Firm—Kenneth A. Roddy

[57] **CLAIM**

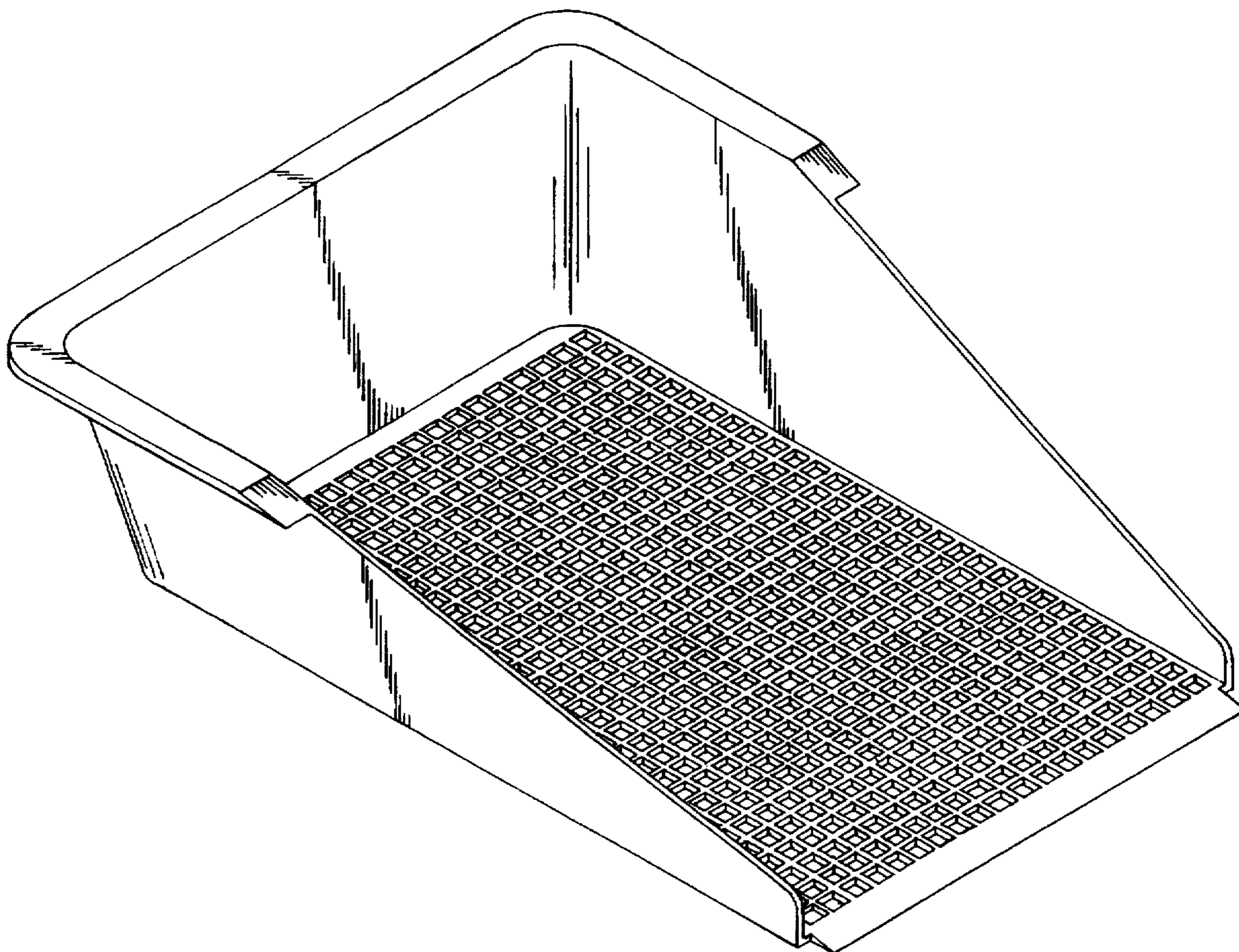
The ornamental design for a sifter insert for a litter box, as shown and described.

DESCRIPTION

FIG. 1 is a perspective view taken from the top, front, and left side of a sifter insert for a litter box showing our new design; and,

FIG. 2 is another perspective view taken from the bottom, rear, and right side thereof.

1 Claim, 2 Drawing Sheets



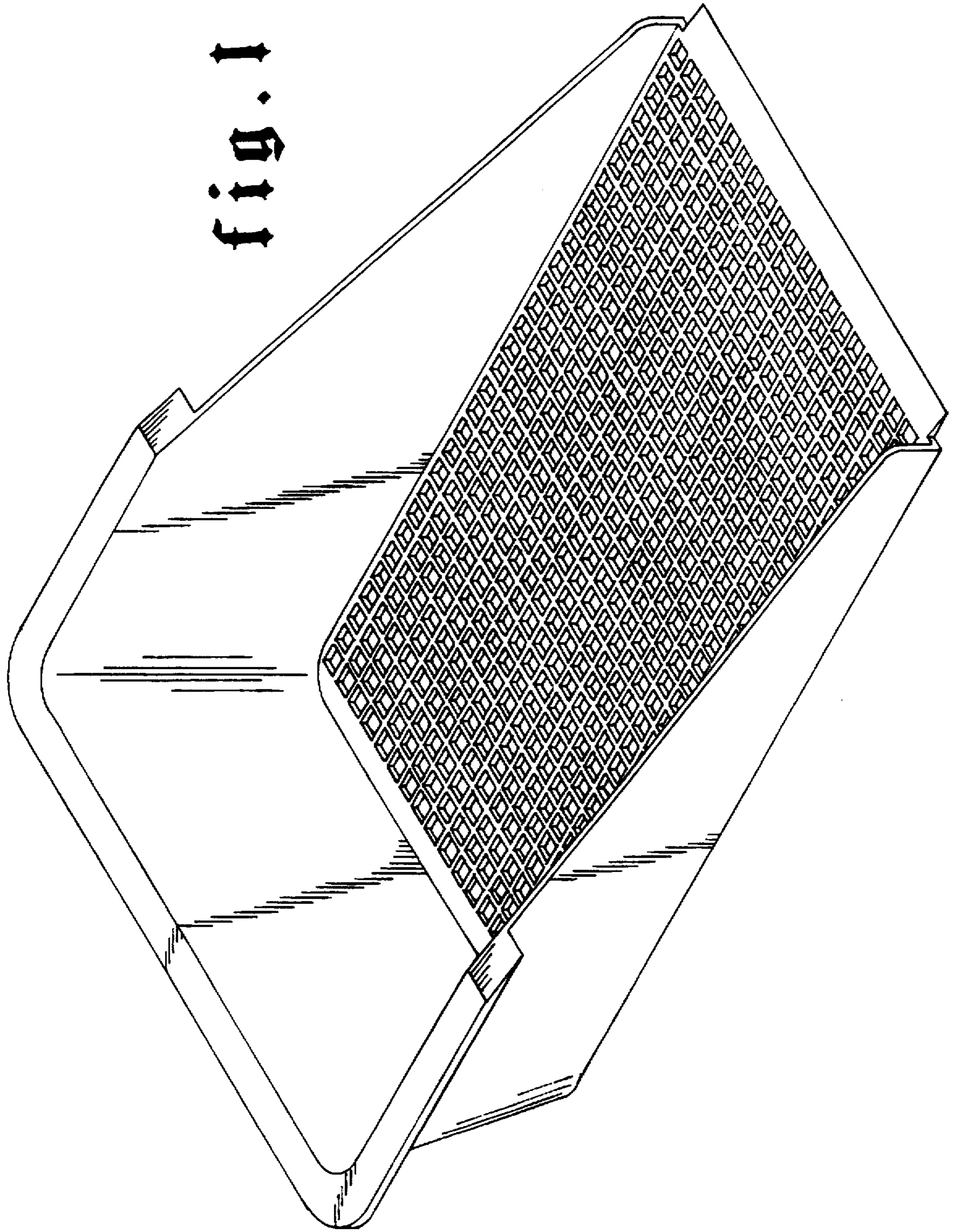


Fig. 1

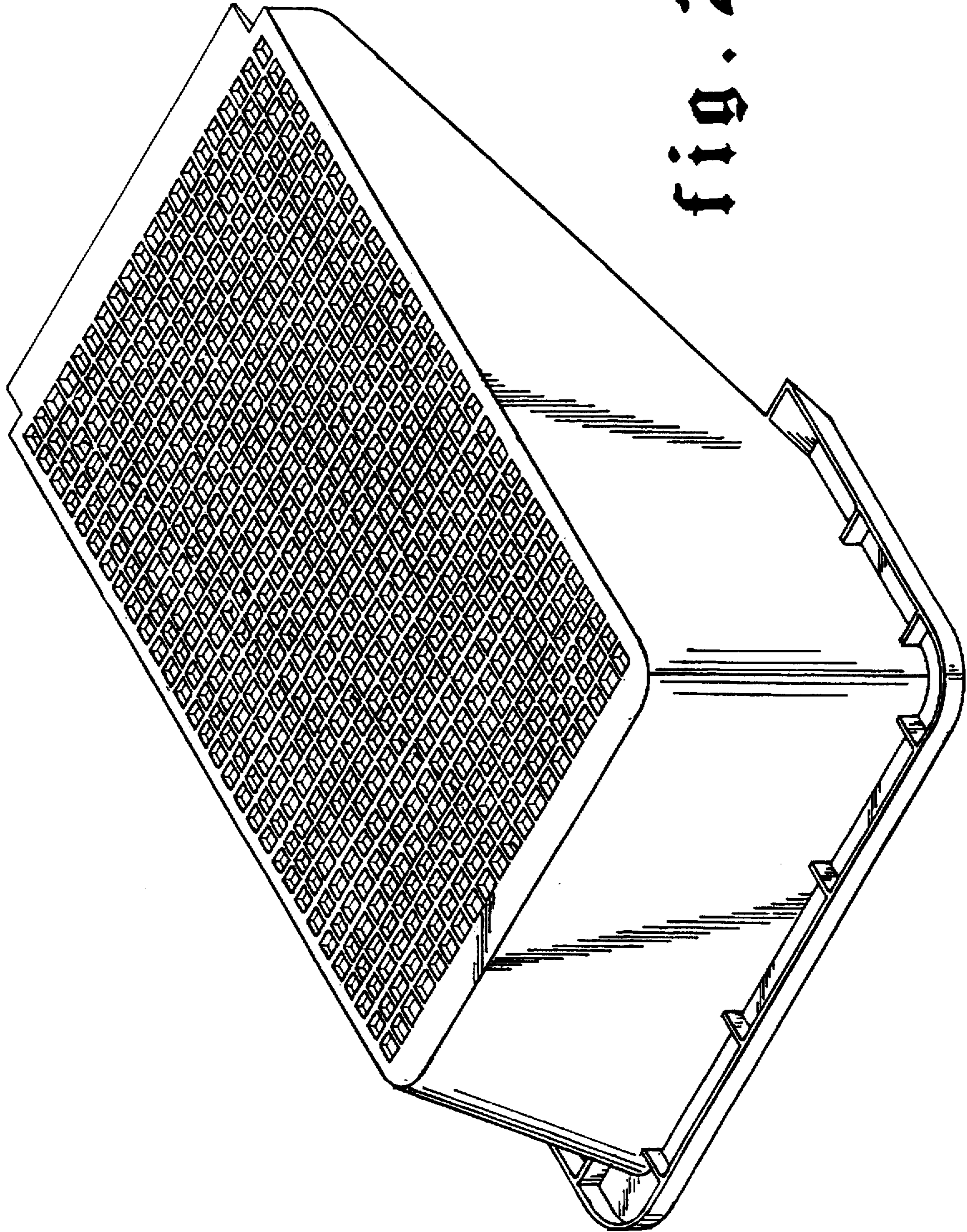


Fig. 1