



US00D408594S

United States Patent [19]
Nakano

[11] **Patent Number: Des. 408,594**
[45] **Date of Patent: **Apr. 20, 1999**

[54] **CONTAINER FOR FACE POWDER**
[75] **Inventor: Megumi Nakano, Tokyo, Japan**
[73] **Assignee: Albion Cosmetics Co., Ltd., Tokyo, Japan**
[**] **Term: 14 Years**

D. 42,749	7/1912	Gunder	D28/91
D. 44,778	10/1913	Weidlich	D3/270
D. 74,420	2/1928	De Vilbiss	D28/76
D. 78,249	4/1929	Zell	D28/84
D. 102,768	1/1937	Rossman	D9/336
D. 148,044	12/1947	Bach	D3/270
D. 149,742	5/1948	D'Henery	D9/423
D. 162,983	4/1951	Petzold	D9/420
D. 169,436	4/1953	Greenstein et al.	D9/336
D. 180,035	4/1957	Schwarz	D28/91
D. 368,626	4/1996	Hentz	D7/538

[21] **Appl. No.: 29/091,982**
[22] **Filed: Aug. 10, 1998**
[30] **Foreign Application Priority Data**

Feb. 10, 1998 [JP] Japan 10-3373

[51] **LOC (6) CL 28-03**
[52] **U.S. Cl. D28/91; D28/79; D9/336**
[58] **Field of Search D28/73, 76, 77, D28/78, 79, 90, 91; D9/335, 336; D3/270, 271; D7/559, 613, 628, 599; D27/119, 178, 188, 192; D11/151; 132/286, 293-307, 314, 315; 206/581, 823**

[56] **References Cited**

U.S. PATENT DOCUMENTS

D. 26,430	12/1896	Vogt	D7/539
D. 33,237	9/1900	Foster	D28/91
D. 37,238	11/1904	Brainard	D3/270
D. 40,953	10/1910	Thayer	D9/336

Primary Examiner—Philip S. Hyder
Assistant Examiner—C. Tuttle
Attorney, Agent, or Firm—Kane, Dalsimer, Sullivan, Kurucz, Levy, Eisele and Richard, LLP

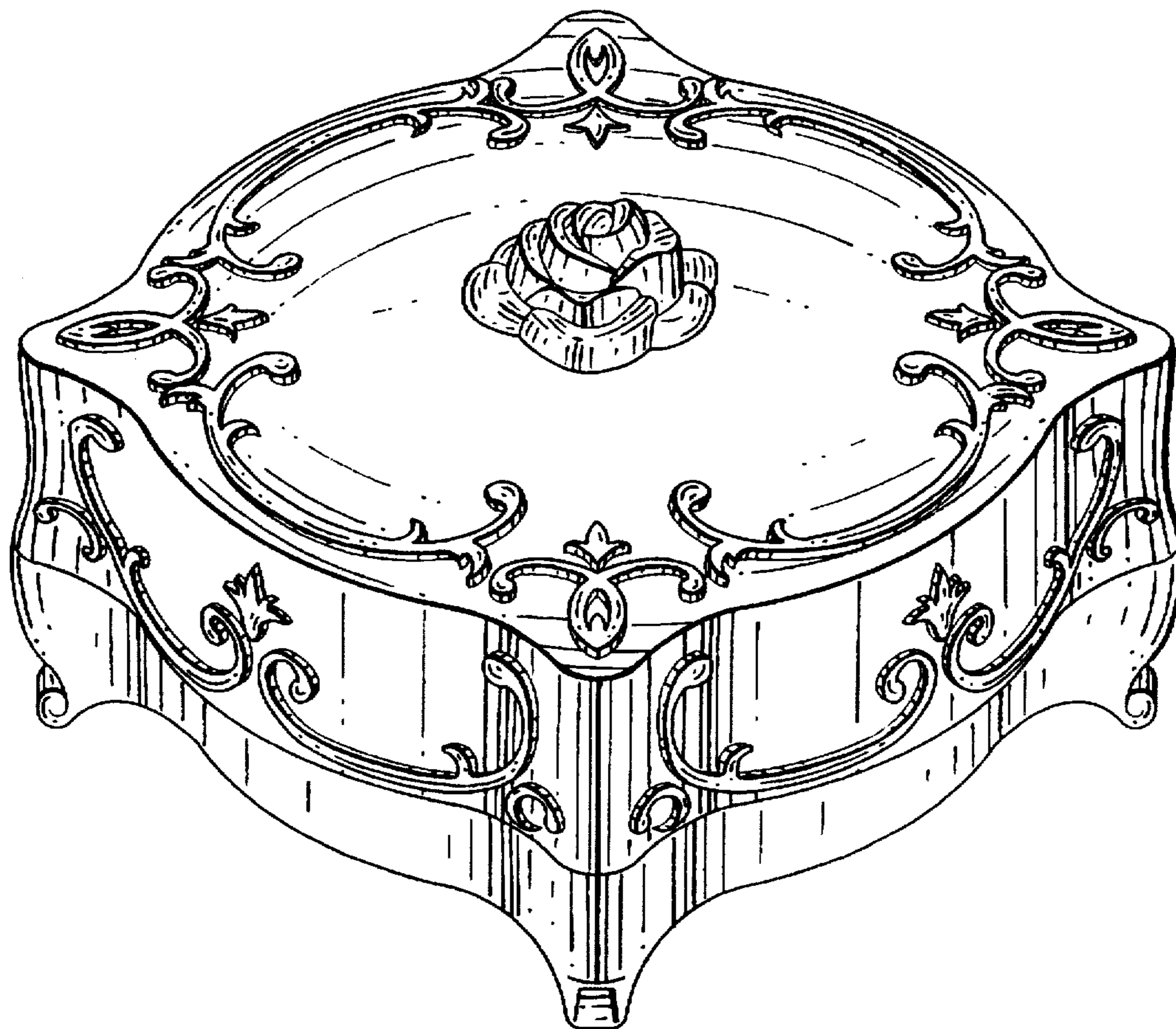
[57] **CLAIM**

The ornamental design for a container for face powder, as shown and described.

DESCRIPTION

FIG. 1 is a perspective view showing my new design;
FIG. 2 is a front view thereof;
FIG. 3 is a rear view thereof;
FIG. 4 is a top view thereof;
FIG. 5 is a bottom view thereof;
FIG. 6 is a right side view thereof; and,
FIG. 7 is a left side view thereof.

1 Claim, 7 Drawing Sheets



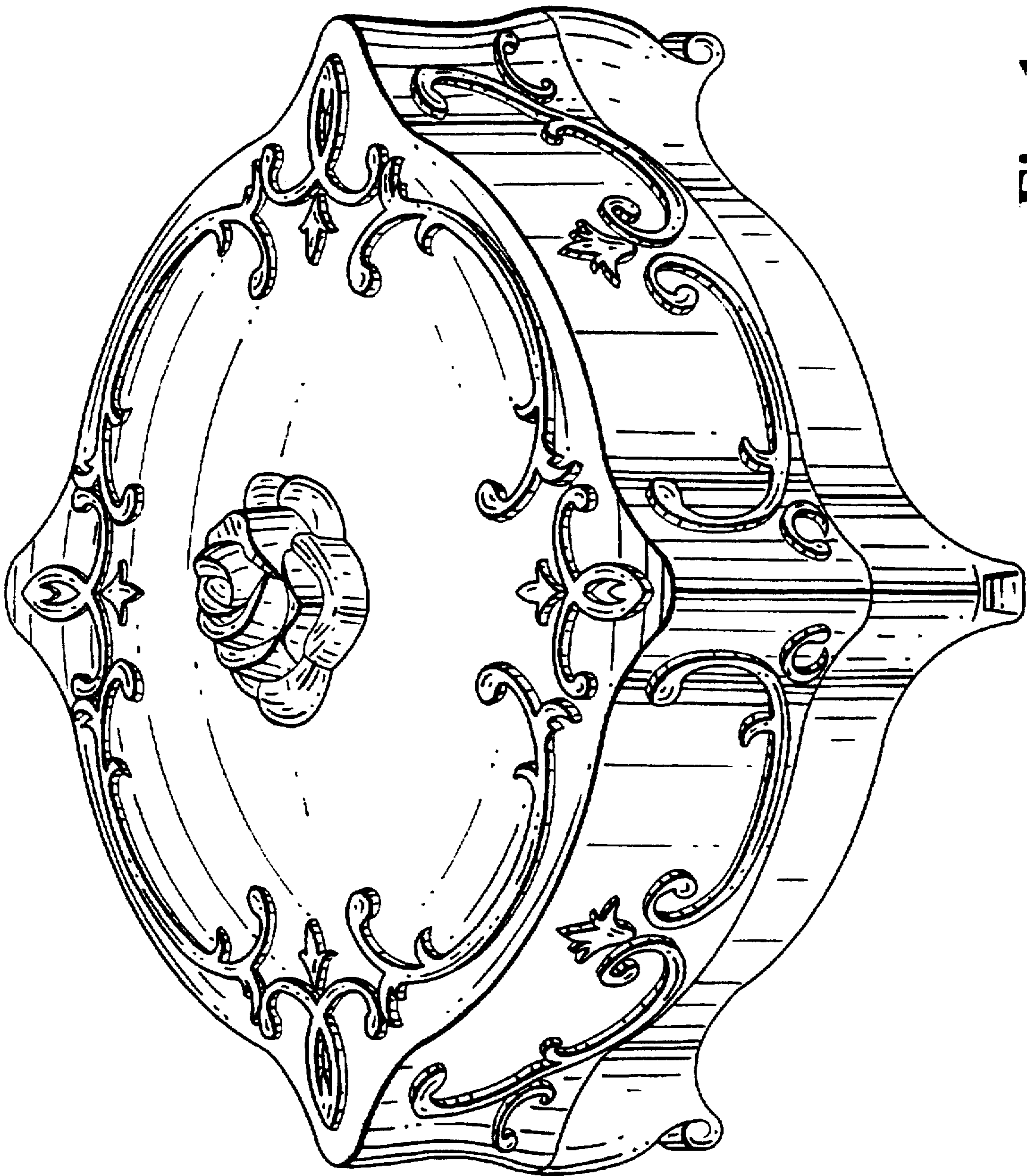


Fig. 1

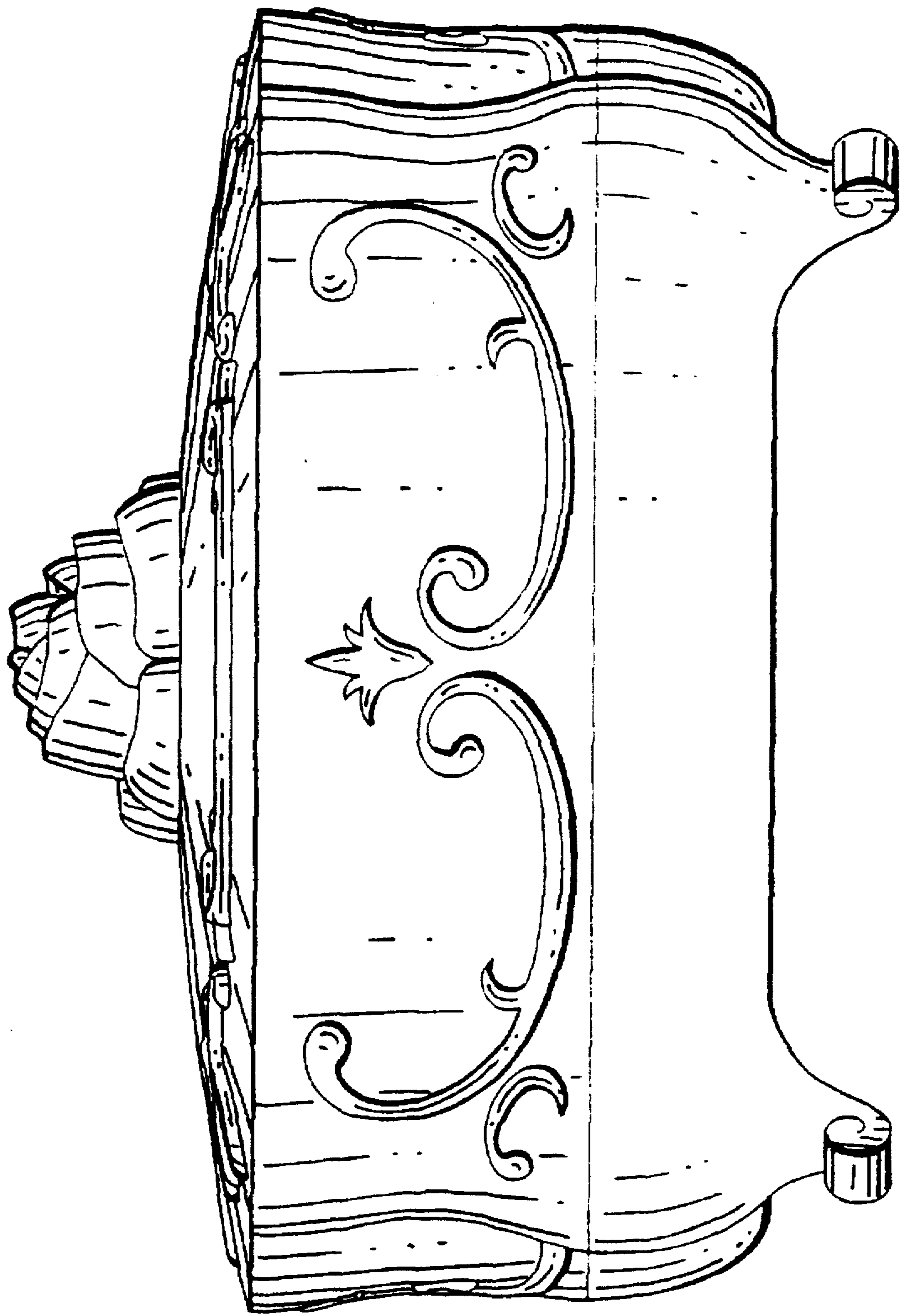


Fig. 2

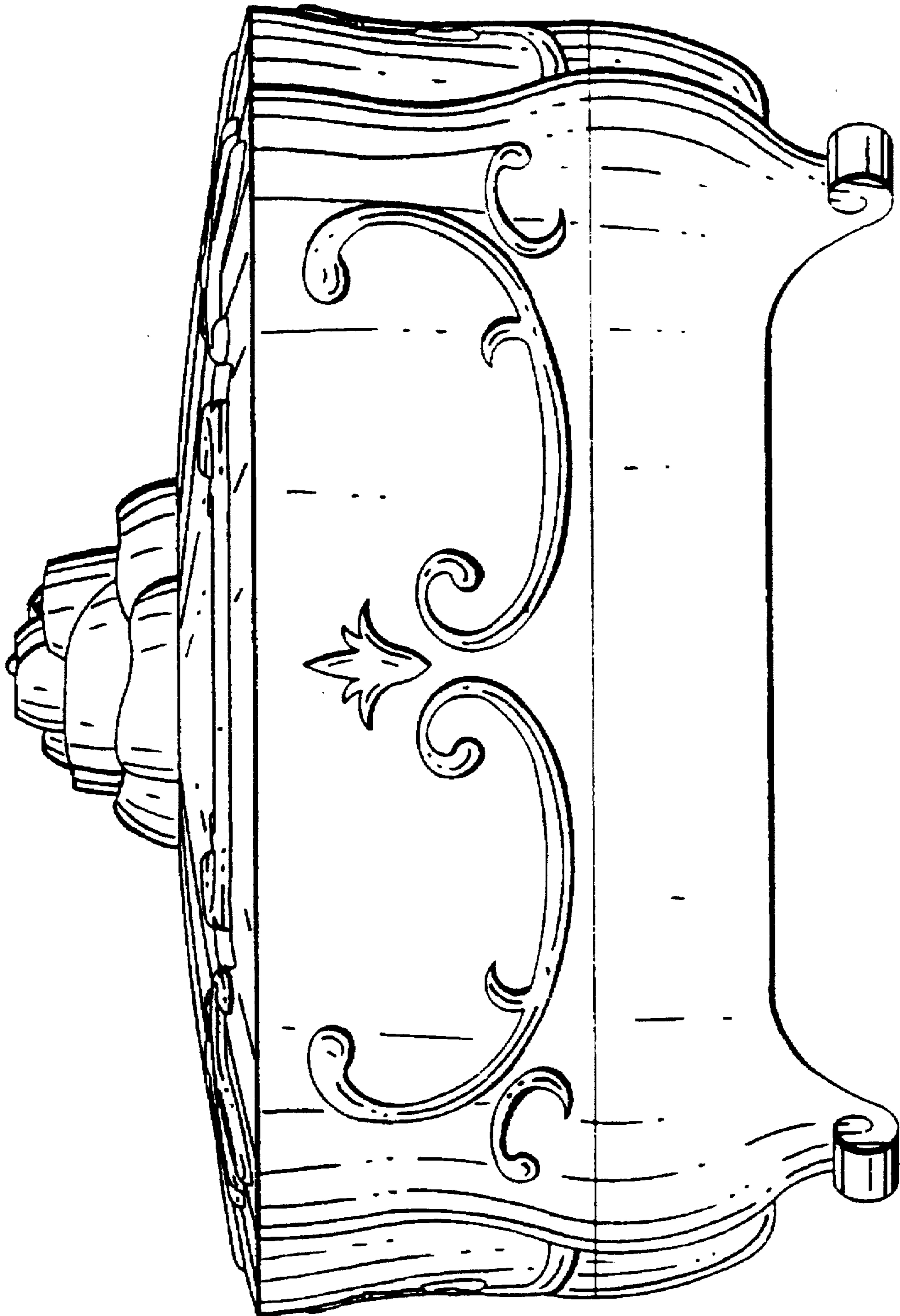


Fig. 3

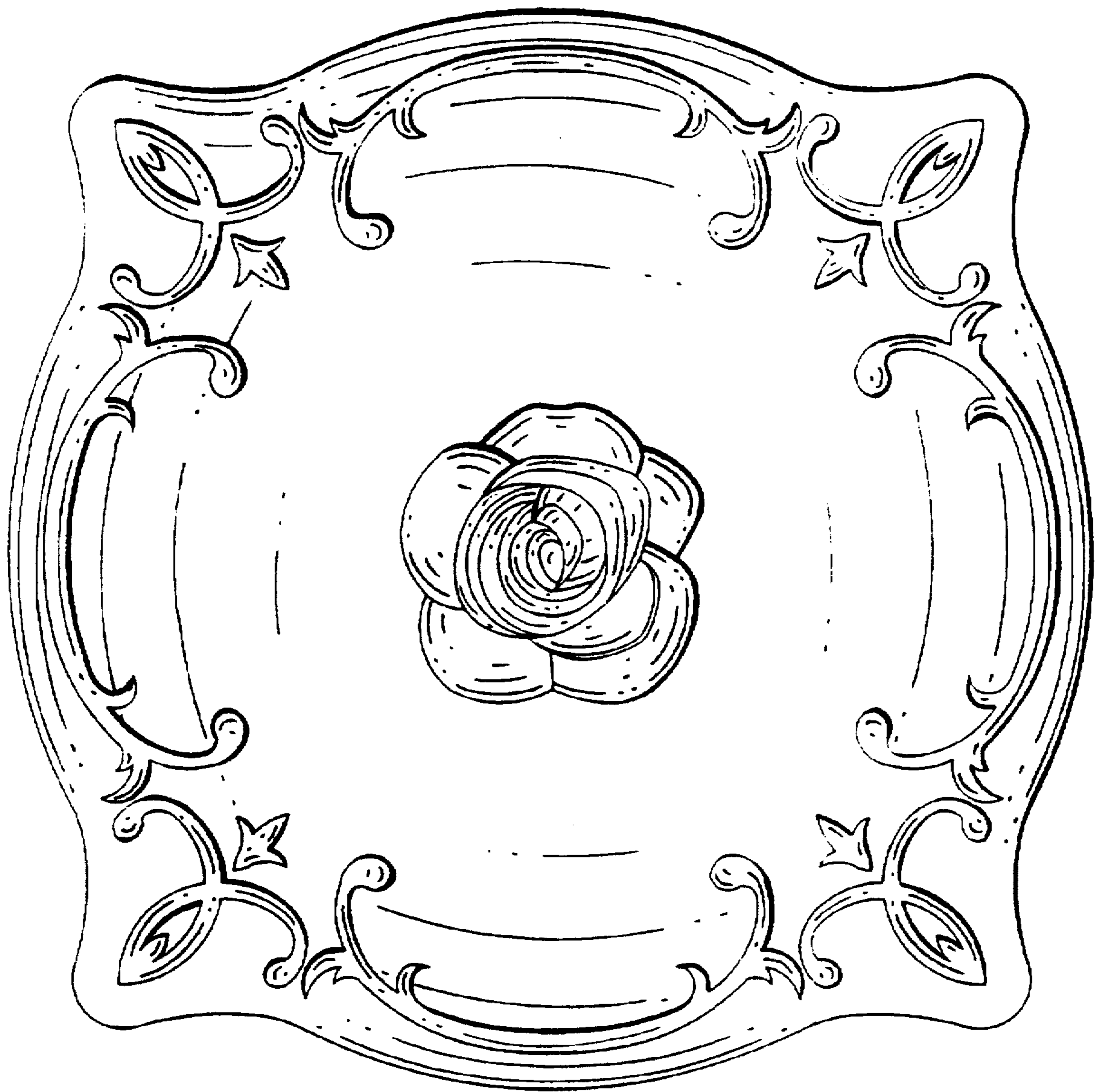


Fig. 4

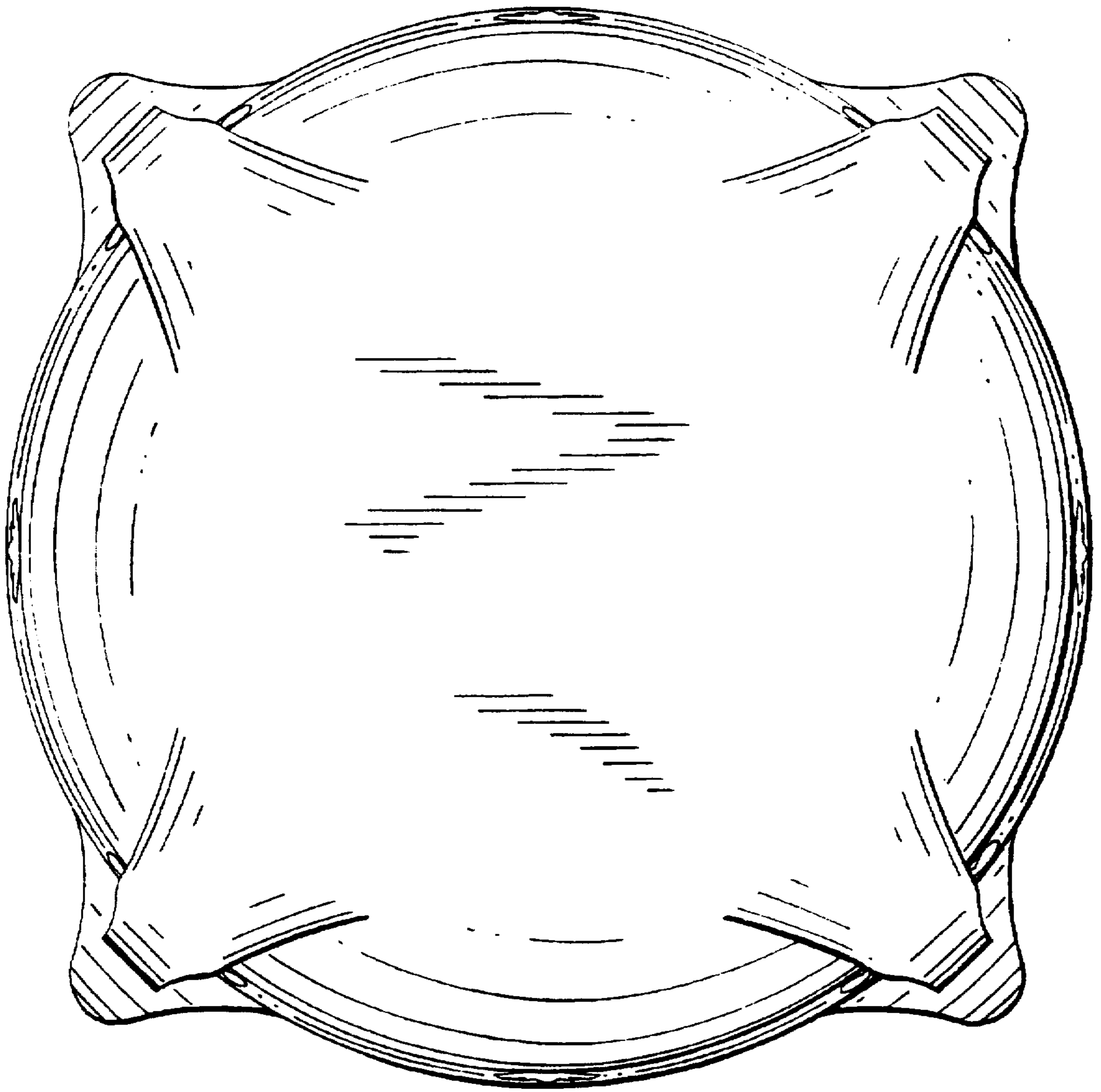


Fig. 5

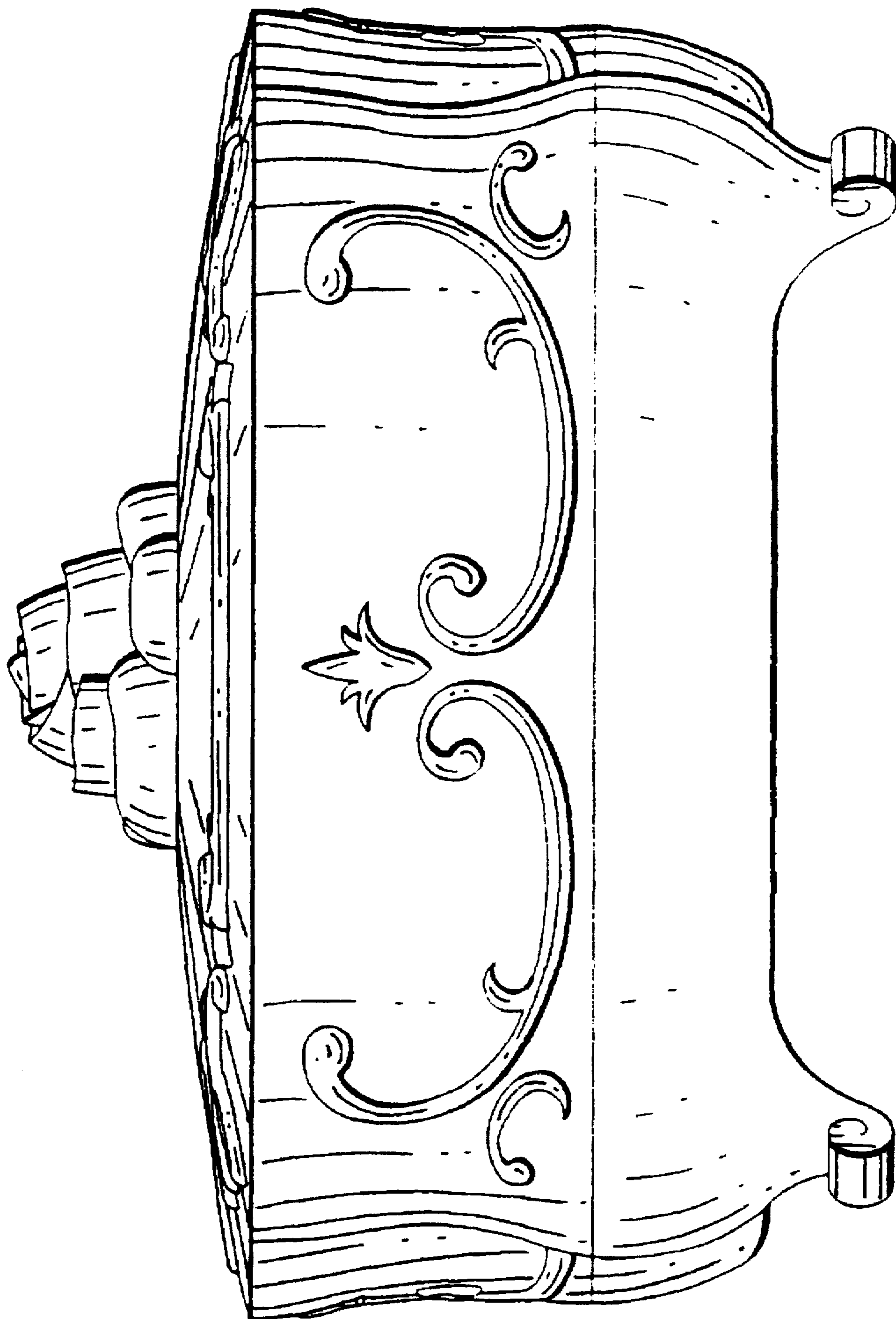


Fig. 6

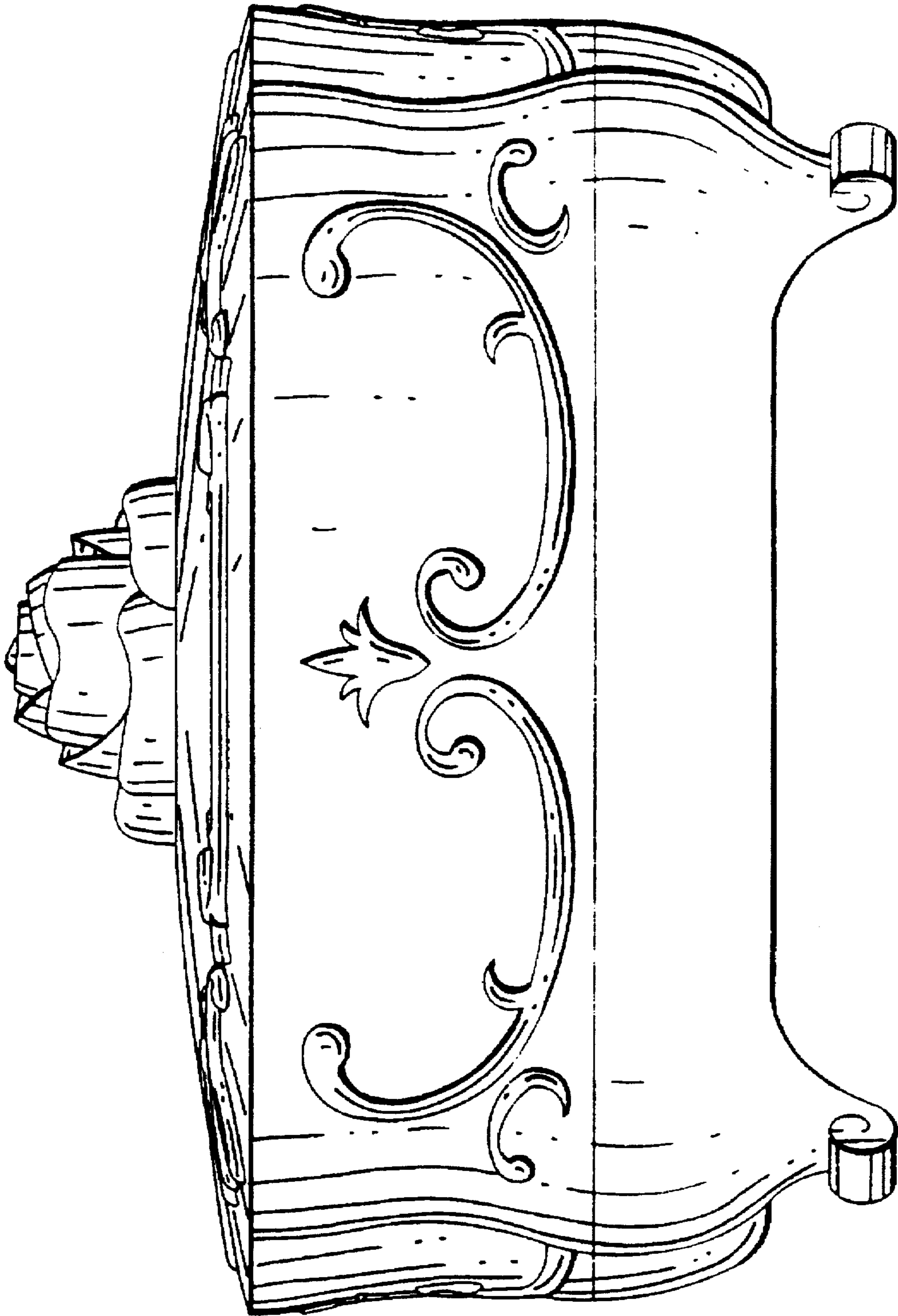


Fig. 7