



US00D408583S

United States Patent [19]
McGehee

[11] **Patent Number: Des. 408,583**

[45] **Date of Patent: **Apr. 20, 1999**

[54] **TOWER GUILLOTINE CIGAR CUTTER**

[76] **Inventor: William L. McGehee, 1264 Hermes Ave., Leucadia, Calif. 92024**

[**] **Term: 14 Years**

[21] **Appl. No.: 29/090,909**

[22] **Filed: Jul. 20, 1998**

Related U.S. Application Data

[63] **Continuation of application No. 09/100,074, Jun. 19, 1998.**

[51] **LOC (6) CL 27-06**

[52] **U.S. Cl. D27/195**

[58] **Field of Search 131/248, 249, 131/250, 252, 253, 254, 255; D27/195; 30/109-111, 112**

[56] **References Cited**

U.S. PATENT DOCUMENTS

305,017 9/1884 Pusey 131/253
D. 388,902 1/1998 Yu D27/195

OTHER PUBLICATIONS

Antique Guillotine Cutters, p. 59, *Antique Cigar Cutters and Lighters*, Aug. 1, 1996.

Primary Examiner—Susan J. Lucas
Assistant Examiner—Jennifer Rivard

Attorney, Agent, or Firm—Brown, Martin, Haller & McClain

[57] **CLAIM**

The ornamental design for a tower guillotine cigar cutter, as shown and described.

DESCRIPTION

FIG. 1 is a right front perspective view of the first embodiment of a tower guillotine cigar cutter showing my new design;

FIG. 2 is a left rear perspective view thereof;

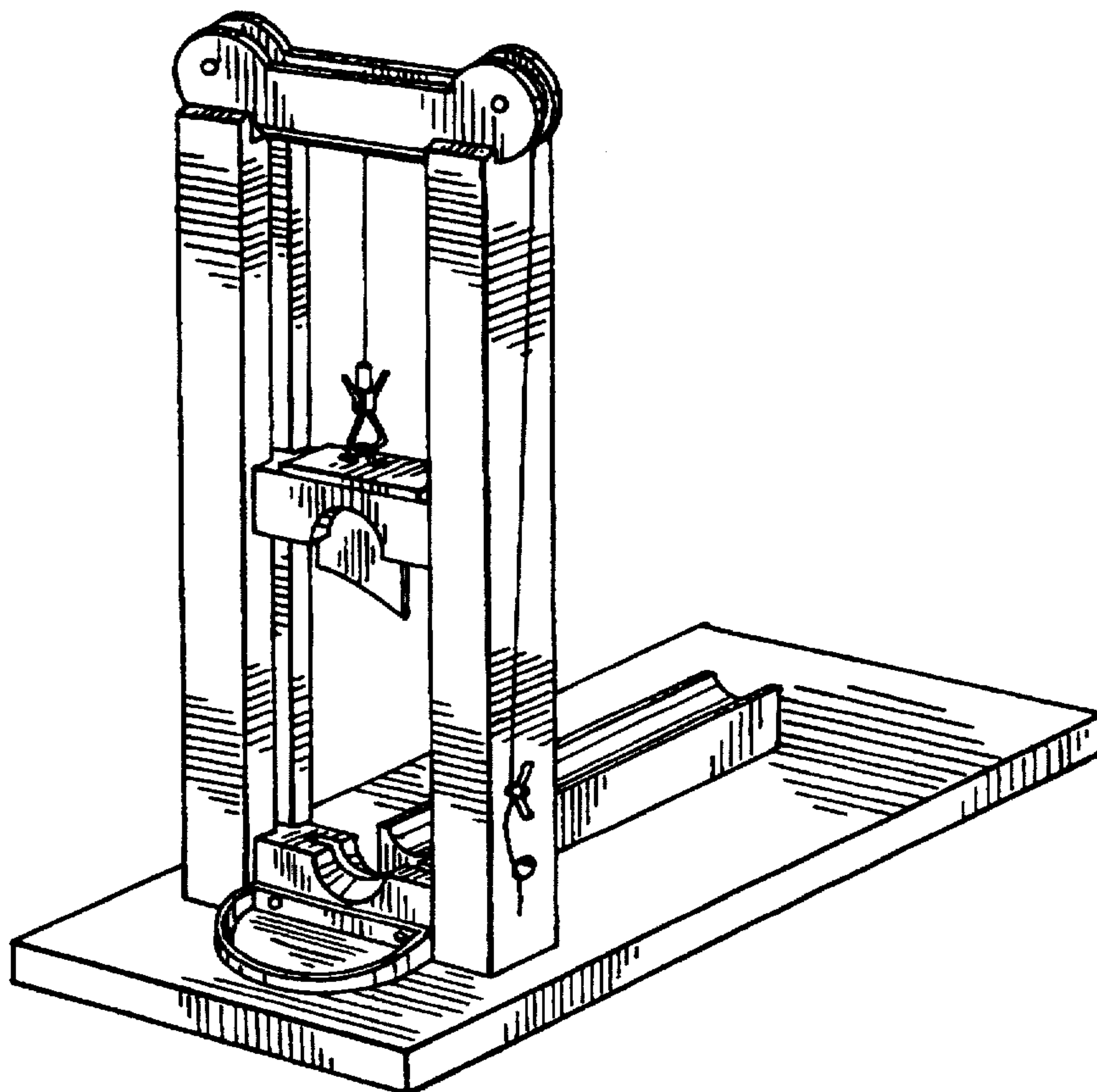
FIG. 3 is a top plan view thereof;

FIG. 4 is a right side elevational view of the second embodiment shown with an alternative box base, the opposite side being a mirror image with the exception of the cord; and,

FIG. 5 is a front view of the second embodiment.

The second embodiment differs from the first only by the box base configuration. The bottom views of both embodiments are flat and unornamented.

1 Claim, 2 Drawing Sheets



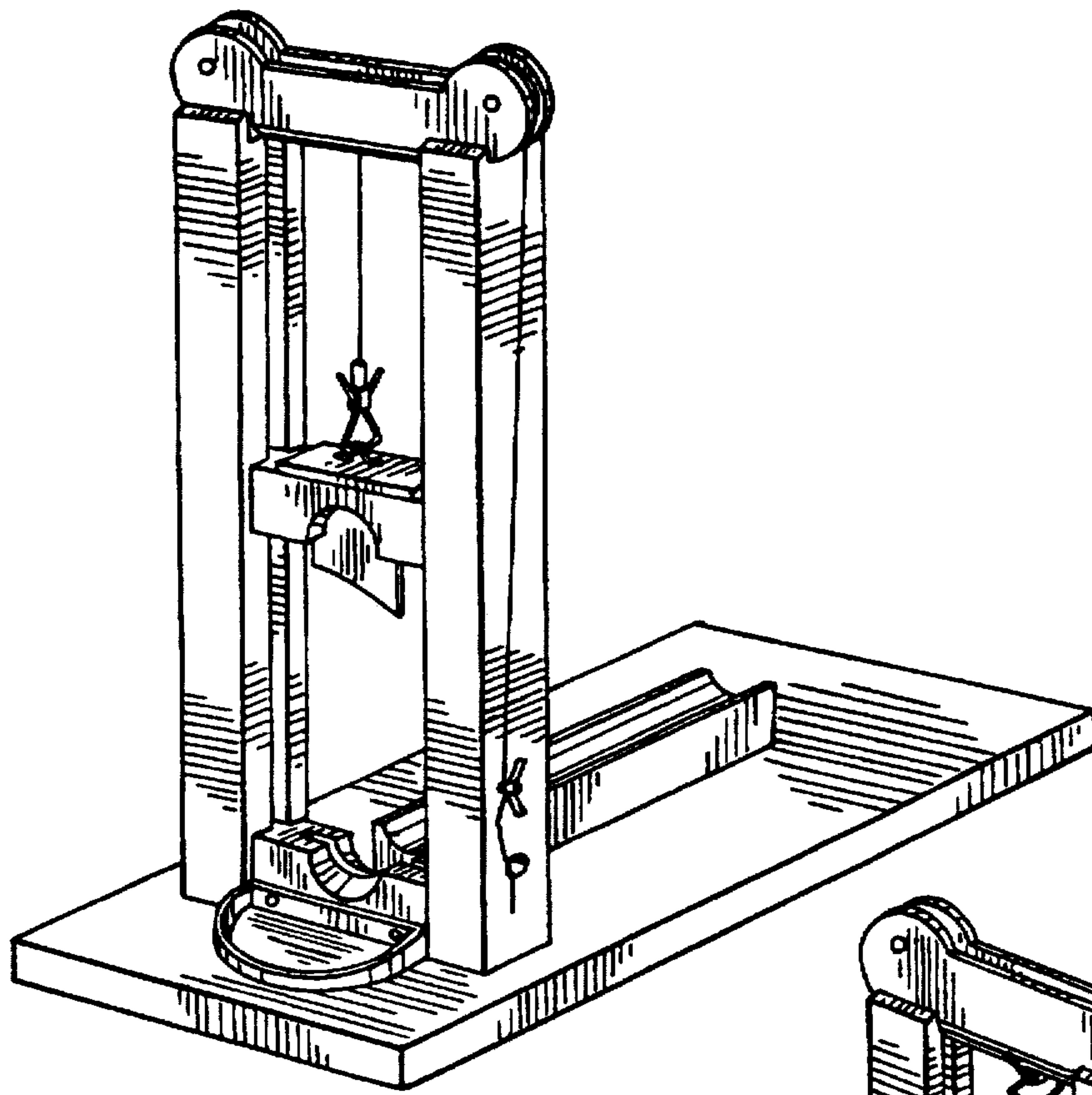


FIG. 1

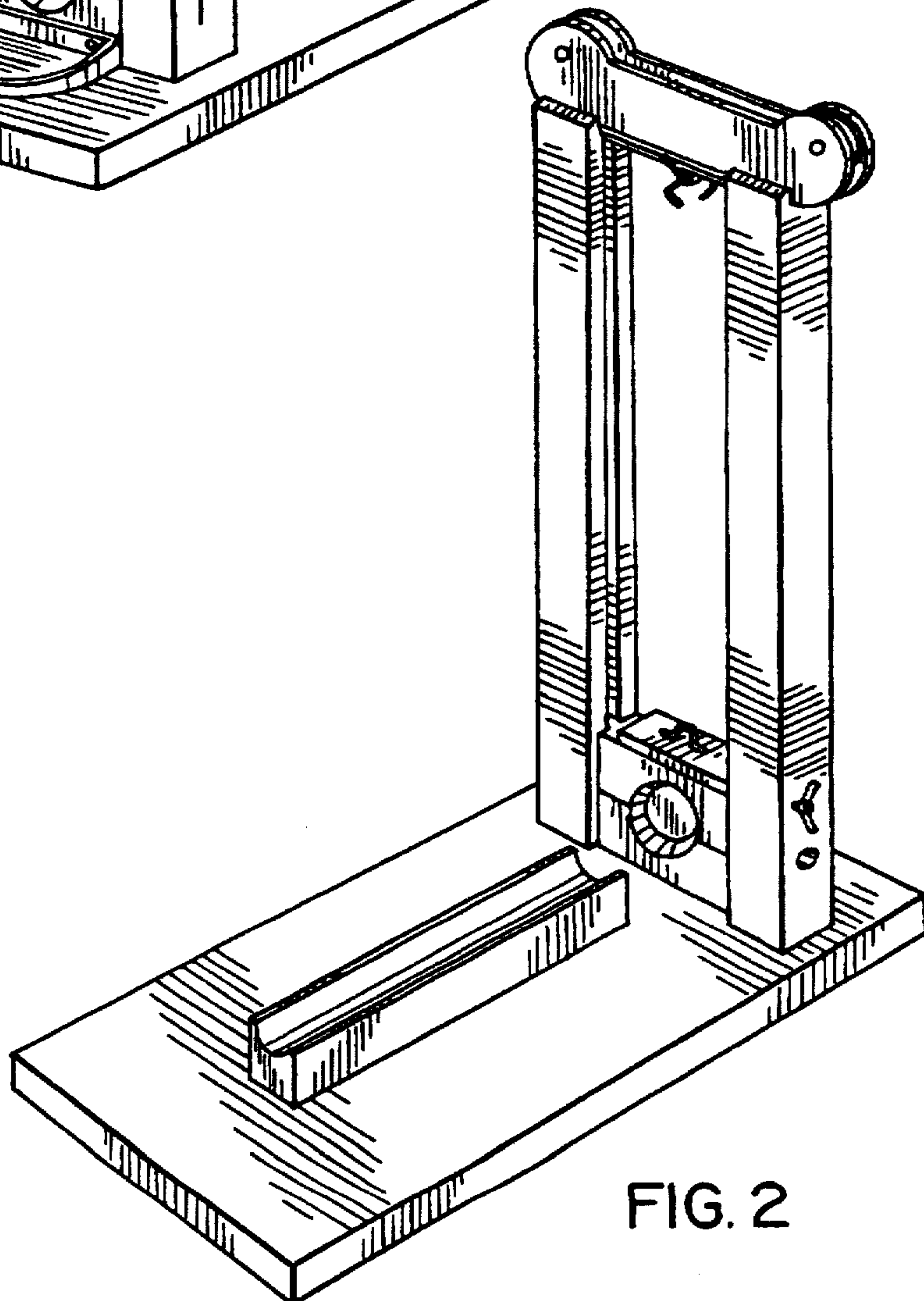


FIG. 2

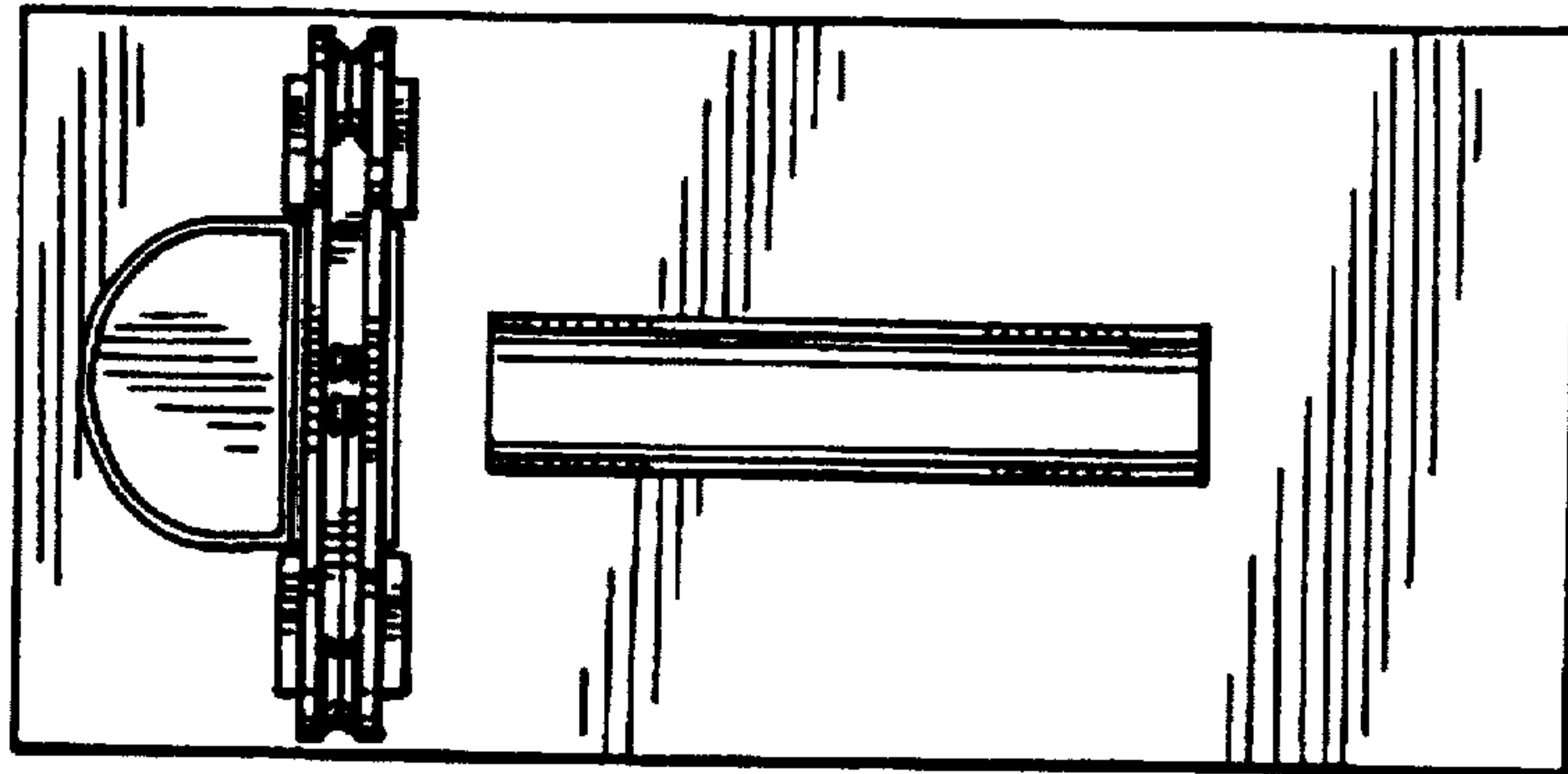


FIG. 3

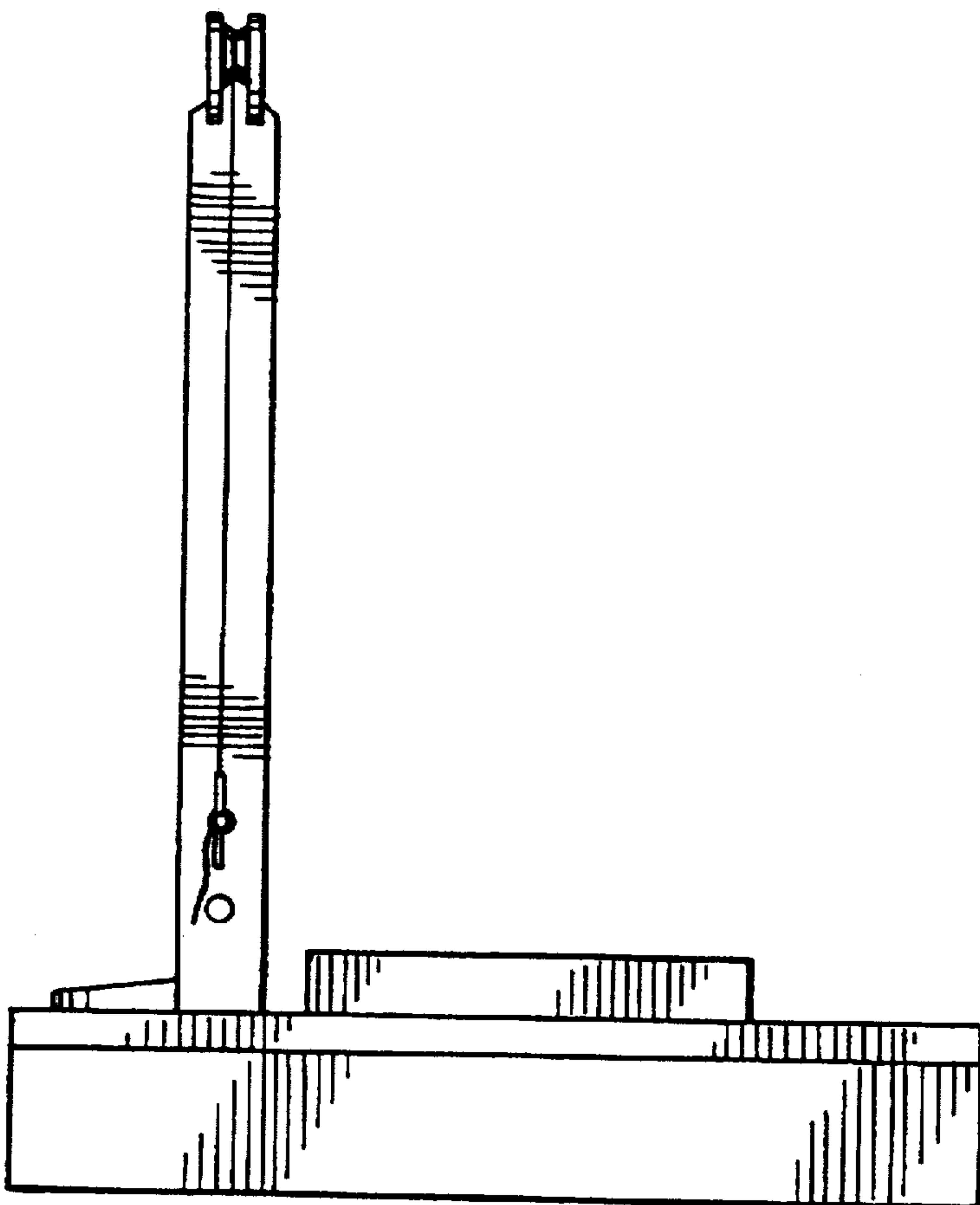


FIG. 4

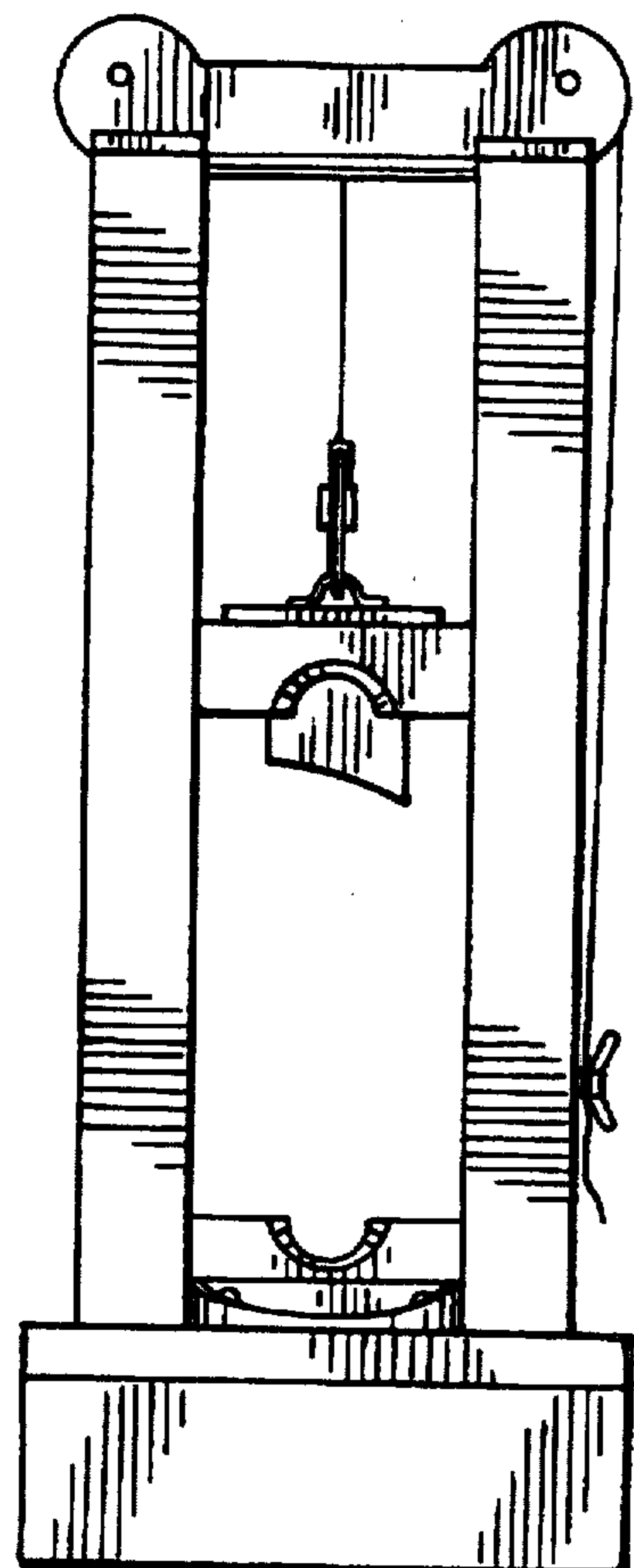


FIG. 5