



US00D408579S

# United States Patent [19]

Herring et al.

[11] Patent Number: Des. 408,579

[45] Date of Patent: \*\*Apr. 20, 1999

[54] LAMP BASE

[76] Inventors: Cheryl J. Herring; Garrett M. Schwab, both of 721 Shell Blvd., #205, Foster City, Calif. 94404

[\*\*] Term: 14 Years

[21] Appl. No.: 29/087,252

[22] Filed: Apr. 29, 1998

[51] LOC (6) CL ..... 26-99

[52] U.S. Cl. .... D26/153; D26/110

[58] Field of Search ..... D26/93, 102-112, D26/153; 362/410-414; D6/495, 498, 486, 487, 488, 451; 248/158, 161, 159, 188.7; 108/150

### [56] References Cited

#### U.S. PATENT DOCUMENTS

D. 389,948	1/1998	Chang	.....	D26/110
3,207,462	9/1965	Zimmerman	.....	248/159
3,537,670	11/1970	Dionne	.....	248/188.7

#### OTHER PUBLICATIONS

Home Lighting and Accessories, p. 112 Bernard Collin & Co. floor lamp, Aug. 1996.

Interiors Magazine, p. 144, table base, May 1973.

Primary Examiner—Susan J. Lucas

Attorney, Agent, or Firm—Townsend and Townsend and Crew LLP

### [57] CLAIM

The ornamental design for a lamp base, as shown and described.

### DESCRIPTION

FIG. 1 is a perspective view of a lamp base, with a lamp shade sketched in dotted lines for environmental purposes, showing our new design;

FIG. 2 is a top plan view thereof;

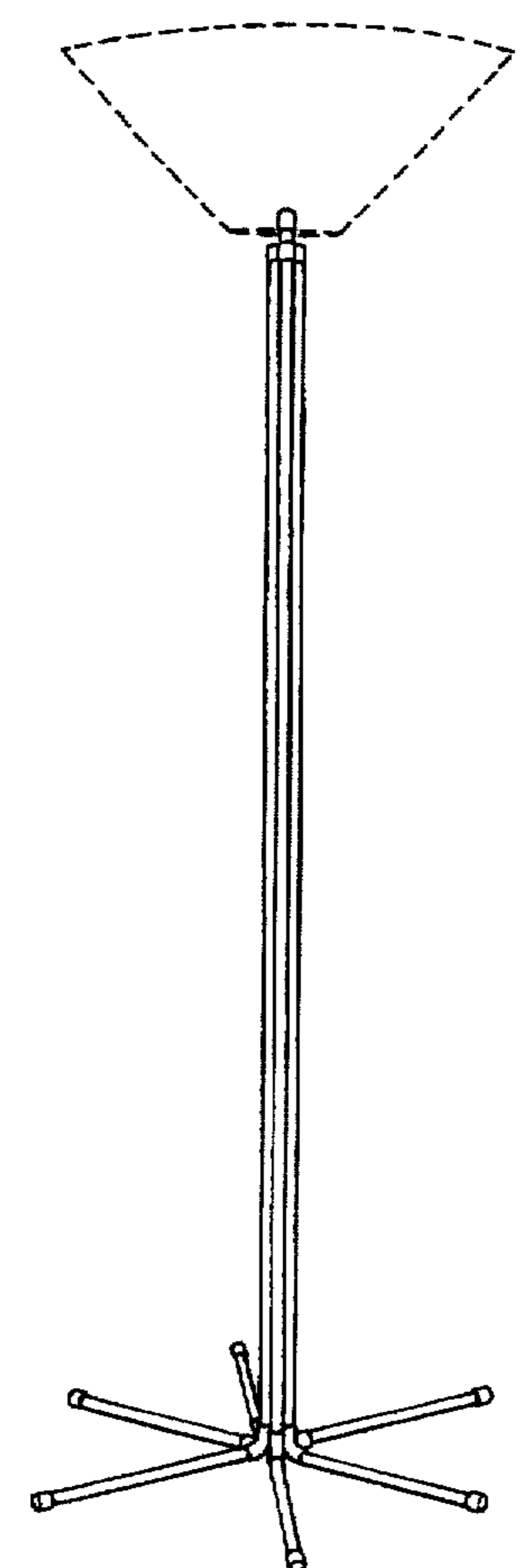
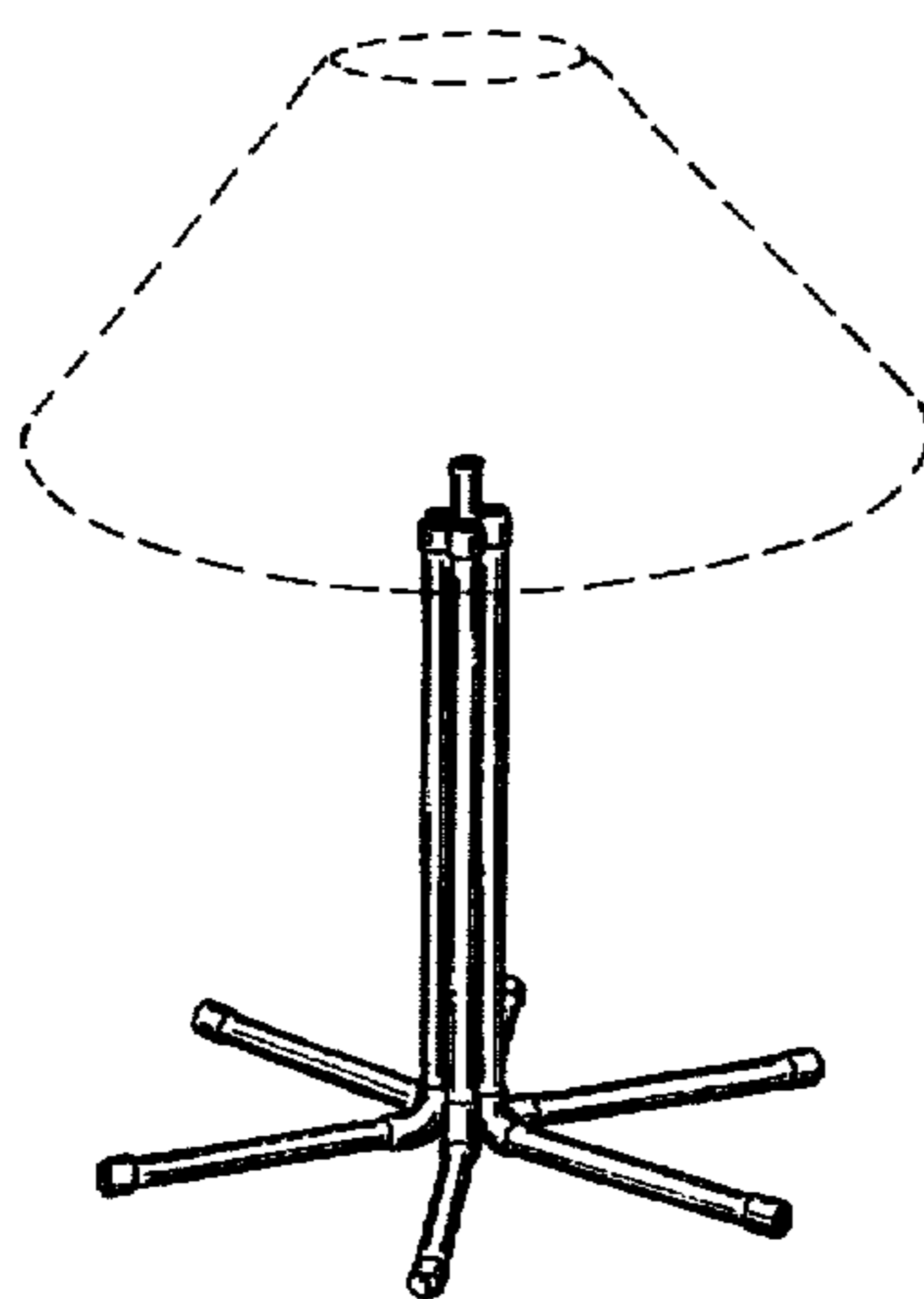
FIG. 3 is a bottom plan view thereof;

FIG. 4 is a front elevational view thereof, the rear elevational view being a mirror image;

FIG. 5 is a right side elevational view, the left side elevational view being a mirror image; and,

FIG. 6 is a perspective view of a second embodiment of the design as shown in FIGS. 1-5, with the only difference being the extent of the vertical portion, and with a lamp shade sketched in dotted lines for environmental purposes.

1 Claim, 2 Drawing Sheets



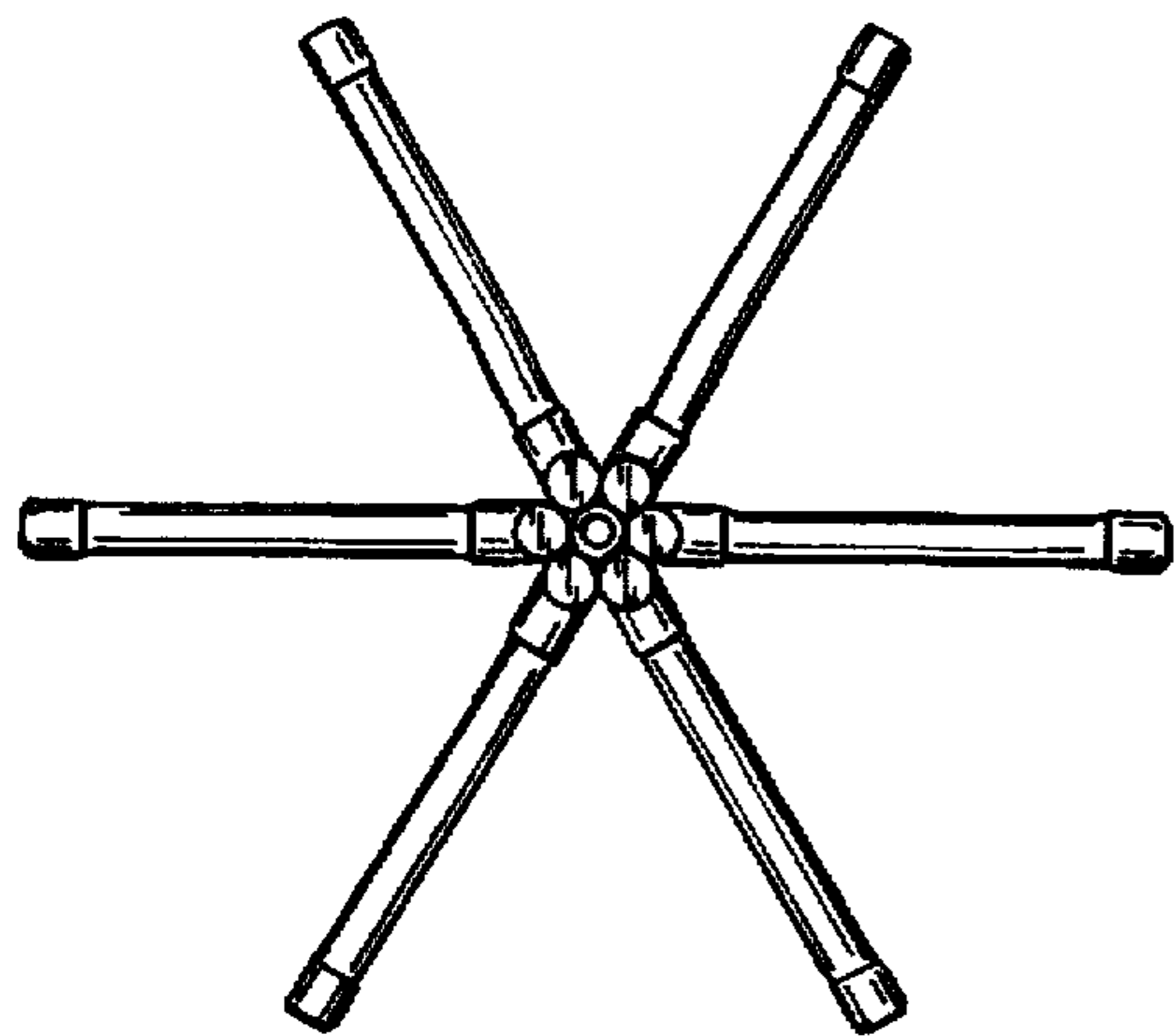


FIG. 2.

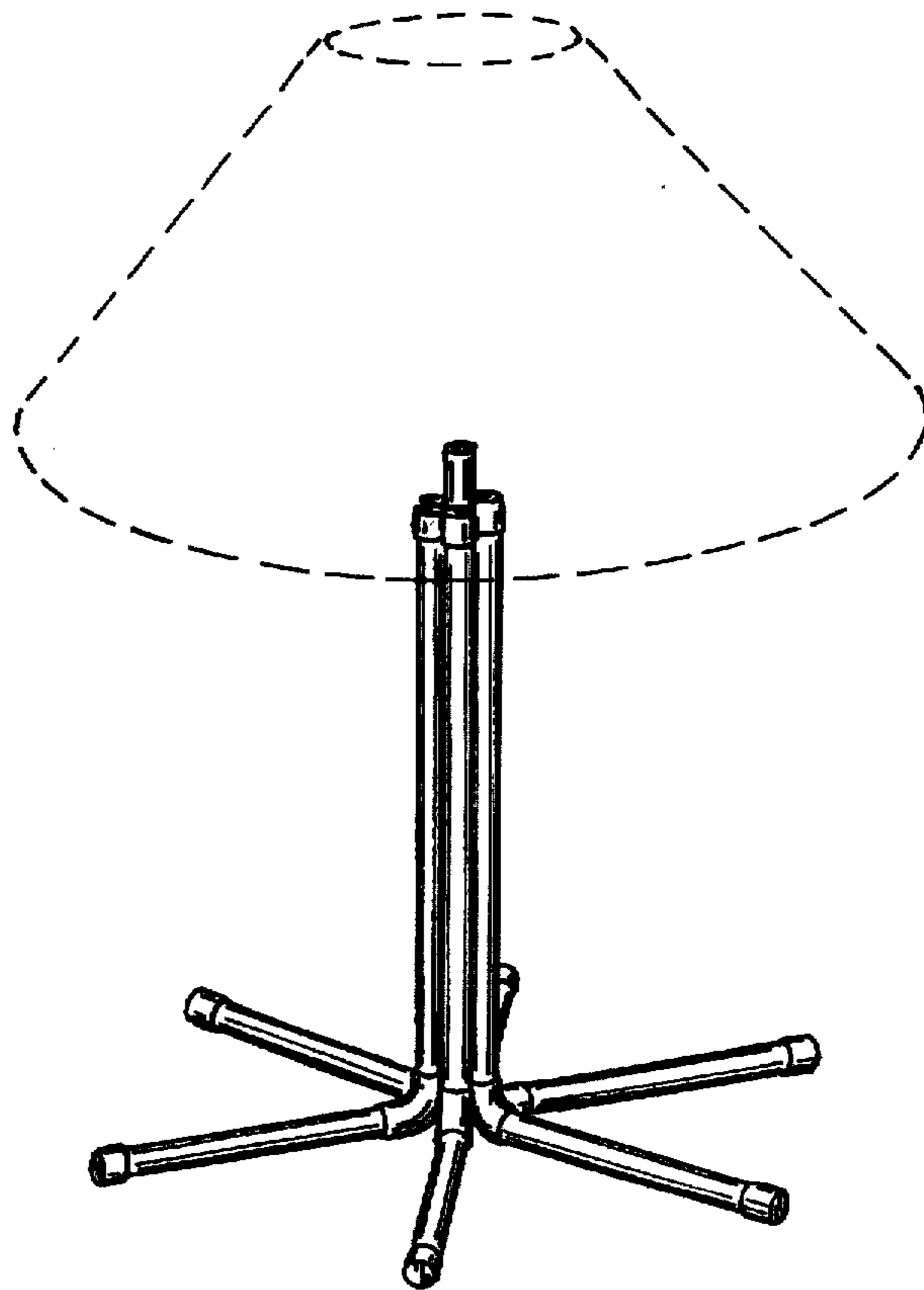


FIG. 1.

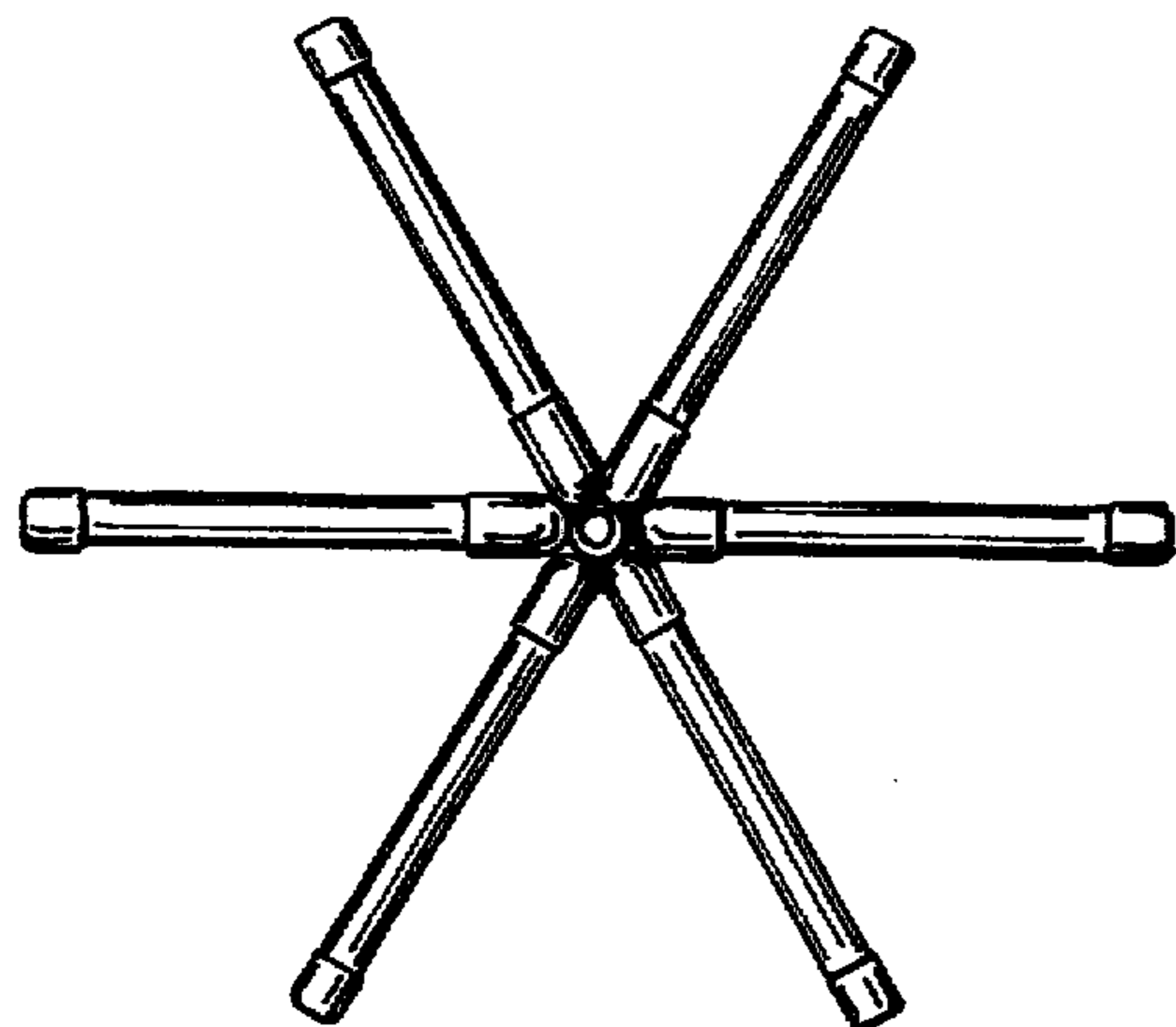


FIG. 3.

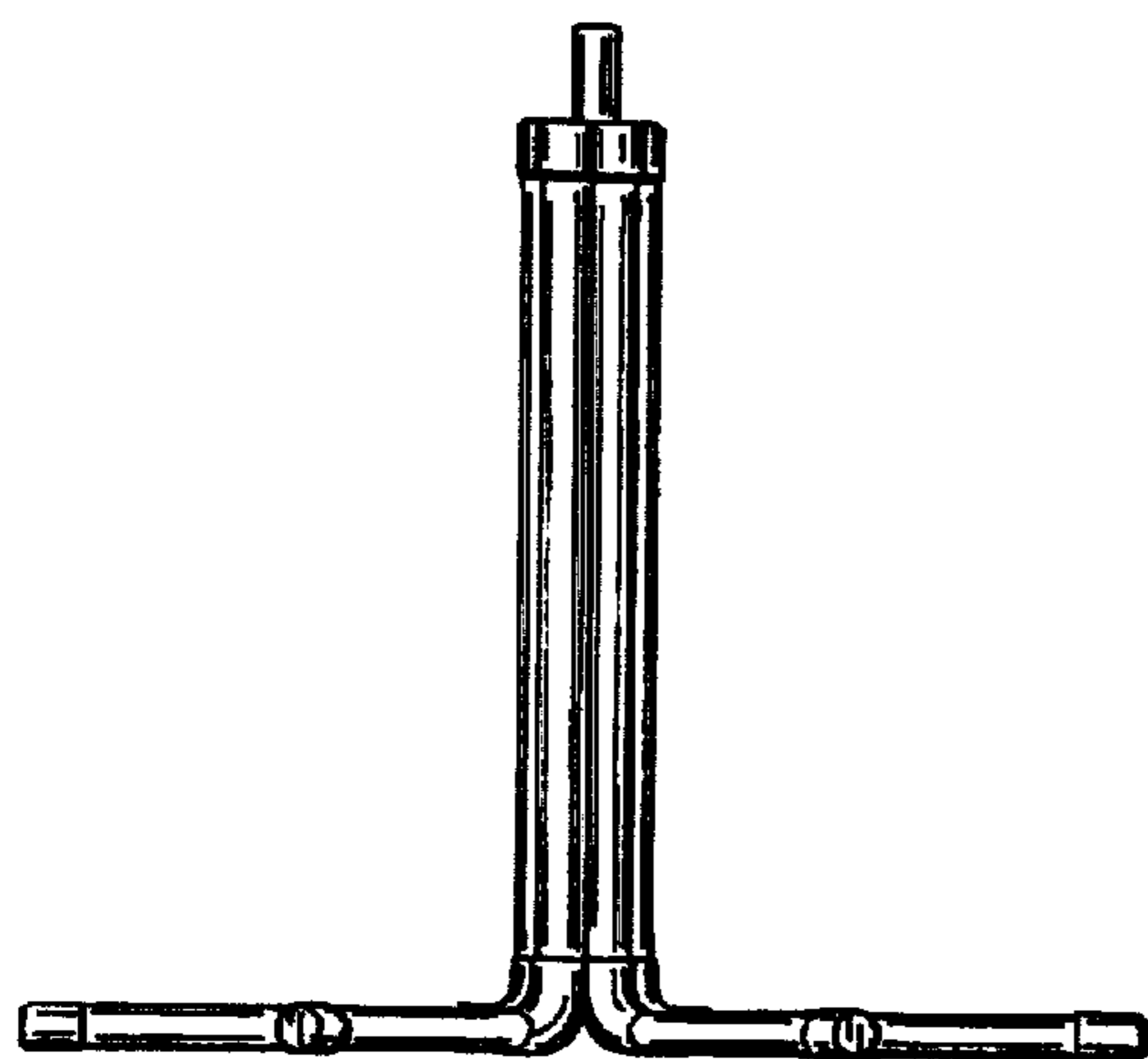


FIG. 4.

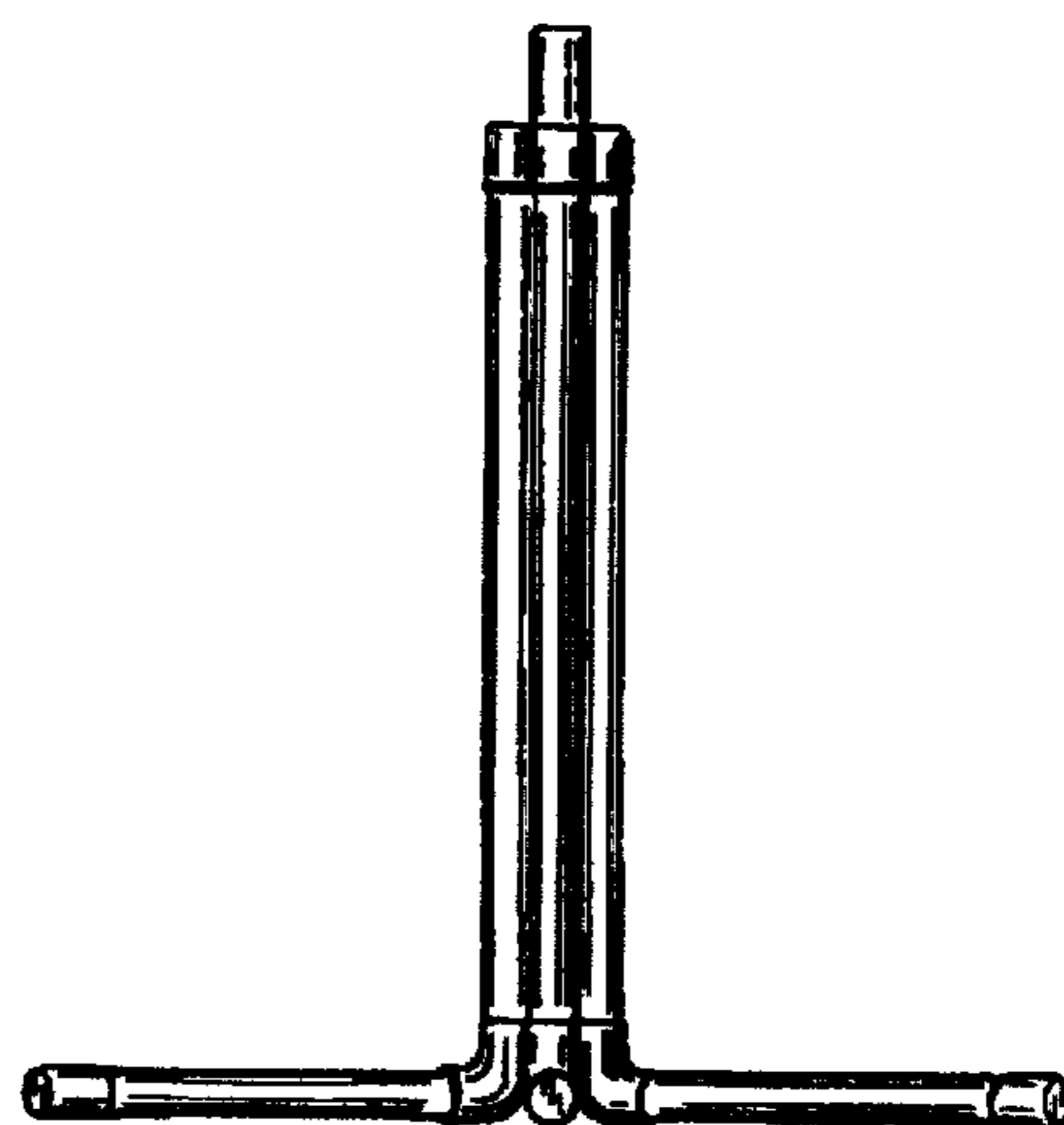


FIG. 5.

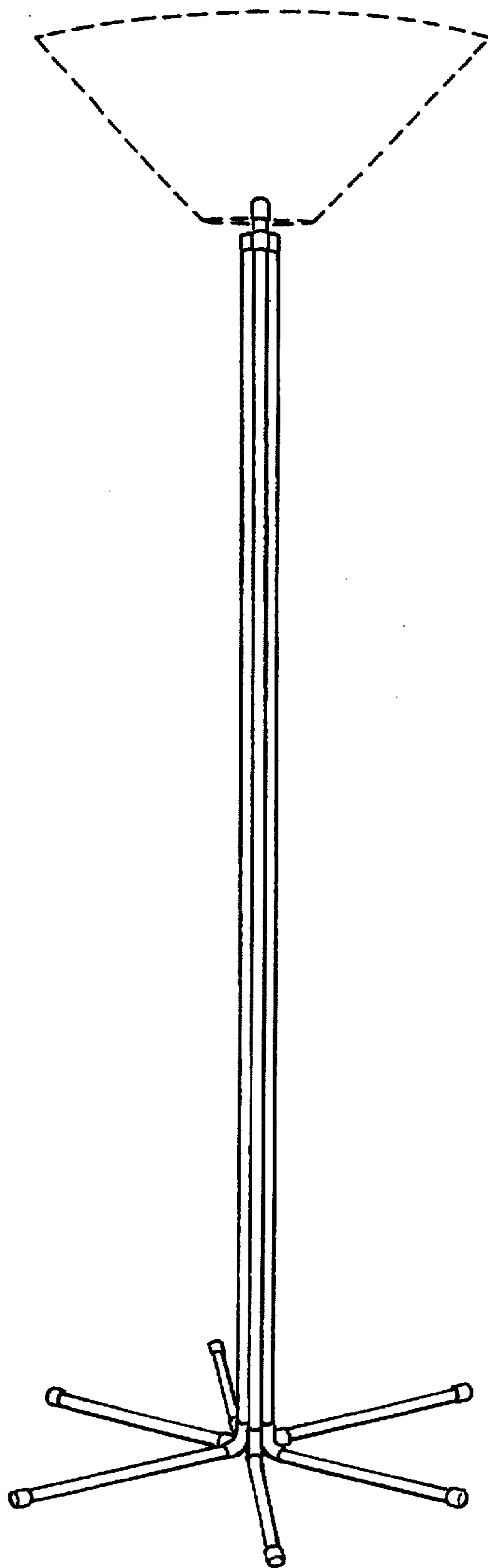


FIG. 6.