



US00D408578S

United States Patent [19]
Chen

[11] **Patent Number: Des. 408,578**
[45] **Date of Patent: **Apr. 20, 1999**

[54] **LAMP SHADE**

4,669,033 5/1987 Lee 362/346 X

[76] **Inventor: Shu O Chen, No. 1697, Chong Hua Road, Tou Fen Town, Miao Li Hsien, Taiwan**

Primary Examiner—Susan J. Lucas

[**] **Term: 14 Years**

[57] **CLAIM**

The ornamental design for a lamp shade, as shown and described.

[21] **Appl. No.: 29/079,194**

DESCRIPTION

[22] **Filed: Oct. 29, 1997**

[51] **LOC (6) Cl. 26-99**

FIG. 1 is a perspective view of a lamp shade showing my new design;

[52] **U.S. Cl. D26/118**

FIG. 2 is a front elevational view thereof, the opposite end being identical in appearance;

[58] **Field of Search D26/118, 128-136;**

FIG. 3 is a top plan view thereof;

362/341, 343, 345, 346, 349, 351, 355,

FIG. 4 is a bottom plan view thereof; and,

356, 217

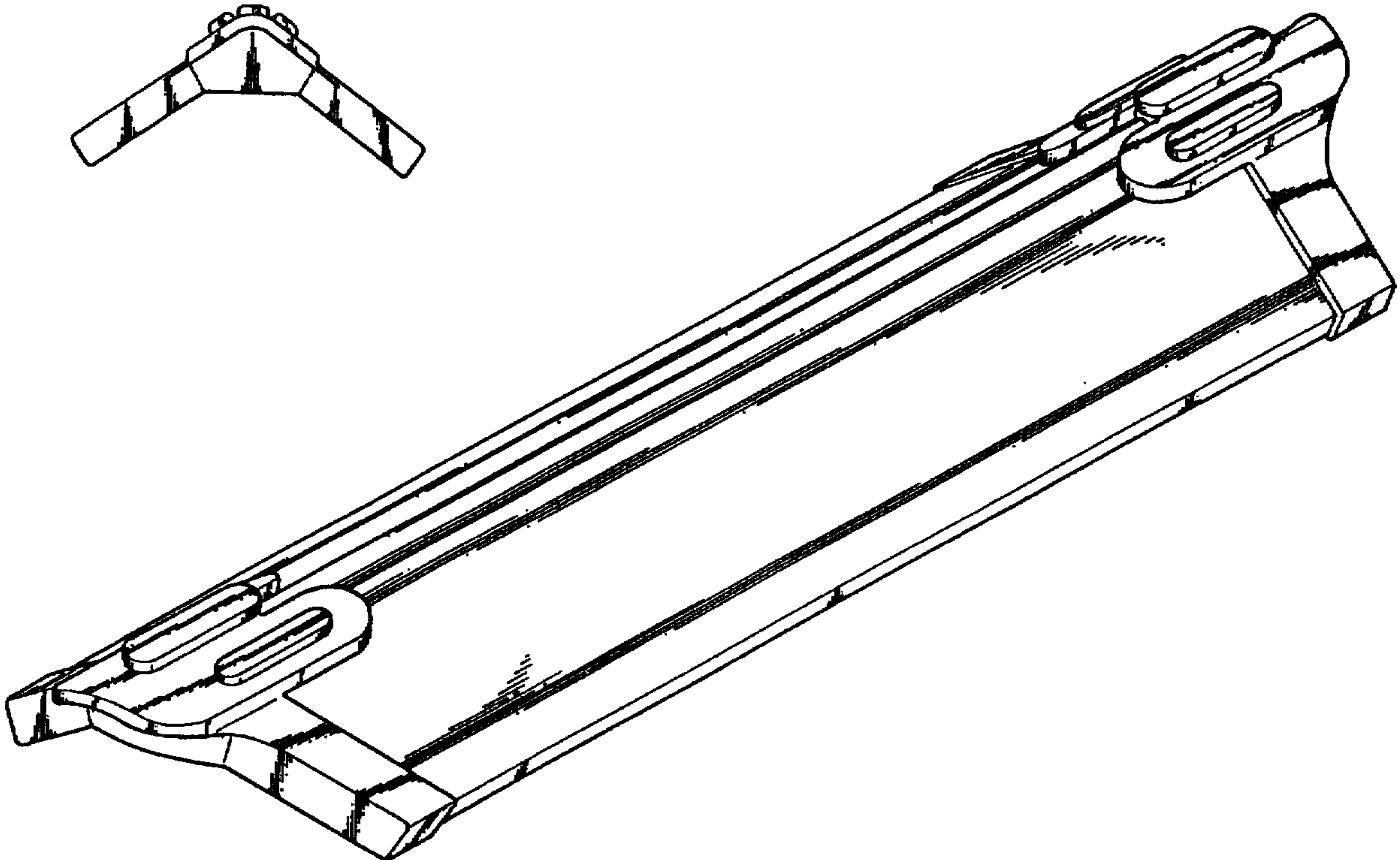
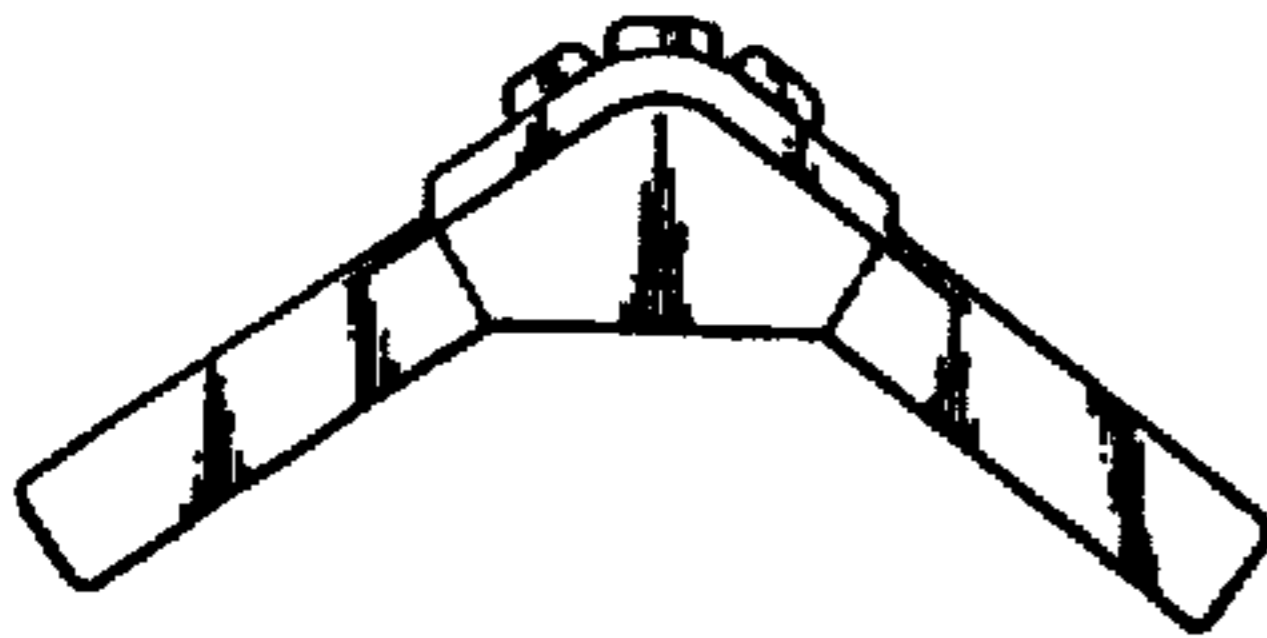
FIG. 5 is a left side elevational view thereof, the right side being a mirror image of that shown.

[56] **References Cited**

U.S. PATENT DOCUMENTS

4,499,529 2/1985 Figueroa 362/346 X

1 Claim, 2 Drawing Sheets



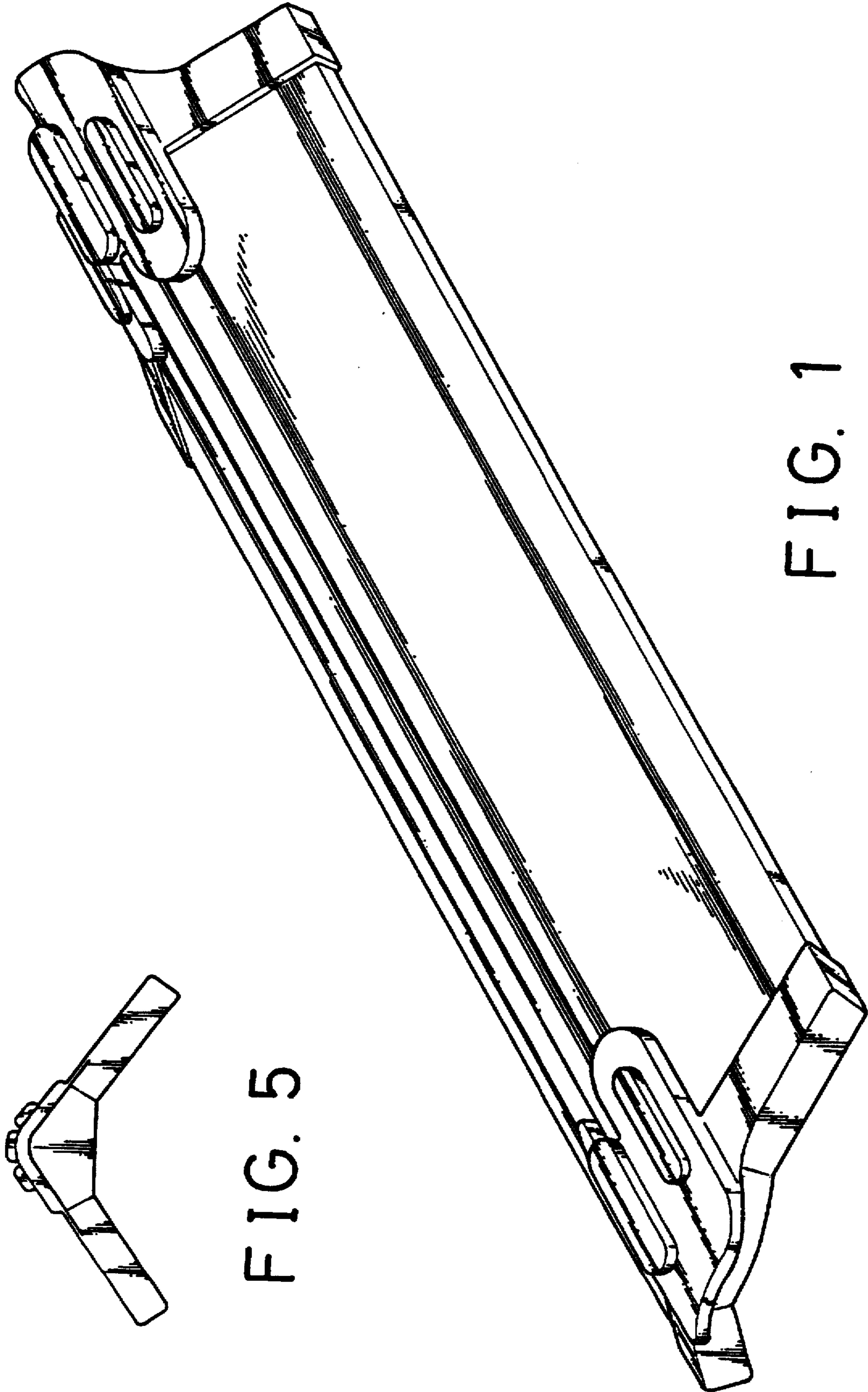


FIG. 5

FIG. 1

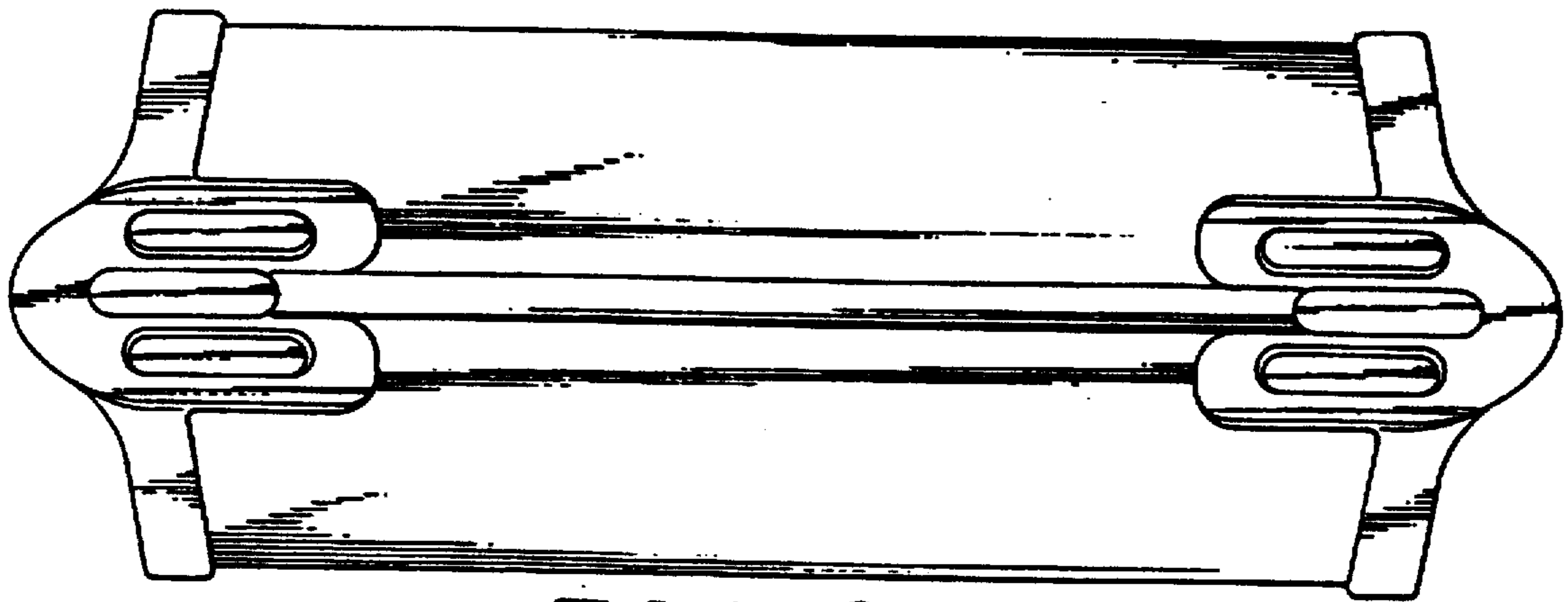


FIG. 3

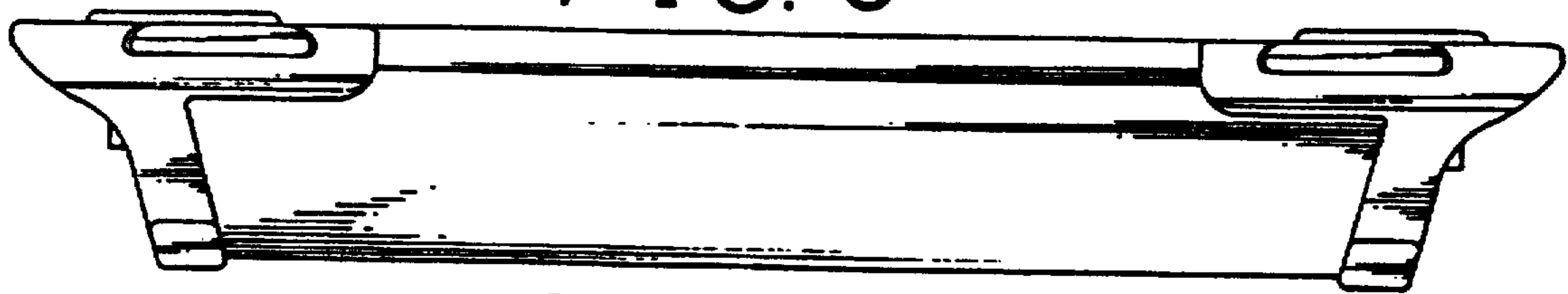


FIG. 2

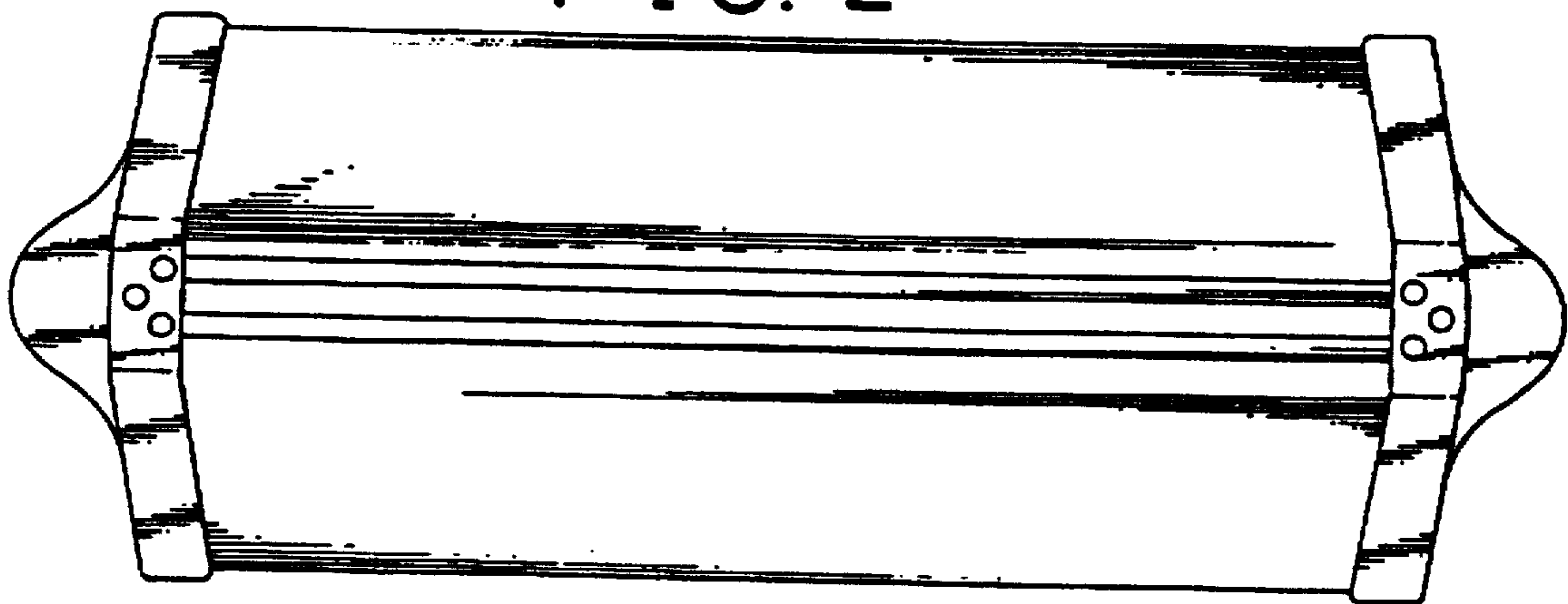


FIG. 4