



US00D408575S

United States Patent [19]
Von Kluck

[11] **Patent Number: Des. 408,575**

[45] **Date of Patent: **Apr. 20, 1999**

[54] **CHANDELIER**

[75] **Inventor: Kevin Von Kluck, Hudson, Ohio**

[73] **Assignee: The L. D. Kichler Co., Cleveland, Ohio**

[**] **Term: 14 Years**

[21] **Appl. No.: 29/088,811**

[22] **Filed: Jun. 1, 1998**

[51] **LOC (6) CL. 26-05**

[52] **U.S. Cl. D26/81; D26/143**

[58] **Field of Search D26/72, 80, 81, D26/82, 83, 84, 86, 87, 88, 89, 90, 142, 143, 144; 362/404-408, 147**

[56] **References Cited**

U.S. PATENT DOCUMENTS

- D. 376,441 12/1996 Dolan D26/81
- D. 397,820 9/1998 Miranda D26/81

OTHER PUBLICATIONS

illuminating Experiences catalog, p. 5, chandelier #166WH, Oct. 1995.
 Progress lighting catalog, p. 31, chandelier #P4010-10, 1990.

Primary Examiner—Susan J. Lucas

Attorney, Agent, or Firm—Watts, Hoffmann, Fisher & Heinke, Co., L.P.A.

[57] **CLAIM**

I claim the ornamental design for a chandelier, as shown and described.

DESCRIPTION

FIG. 1 is a perspective view of a chandelier showing my new design;

FIG. 2 is a front elevational view of the chandelier, the side elevational view being a mirror image;

FIG. 3 is a left side elevational view of the chandelier;

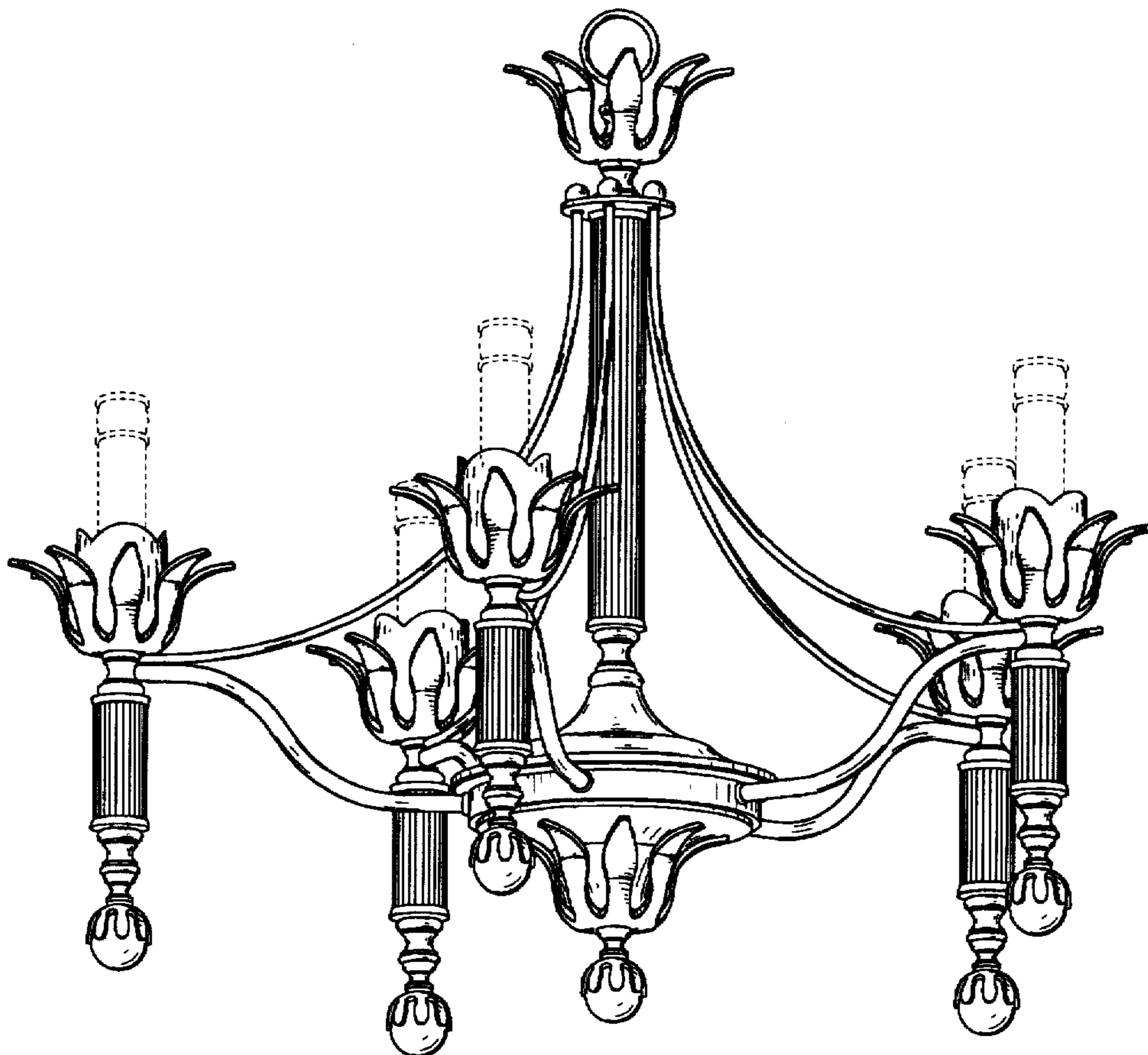
FIG. 4 is a right side elevational view of the chandelier;

FIG. 5 is a top plan view of the chandelier; and,

FIG. 6 is a bottom plan view of the chandelier.

The broken lines shown are for illustrative purposes only and form no part of the claimed design.

1 Claim, 6 Drawing Sheets



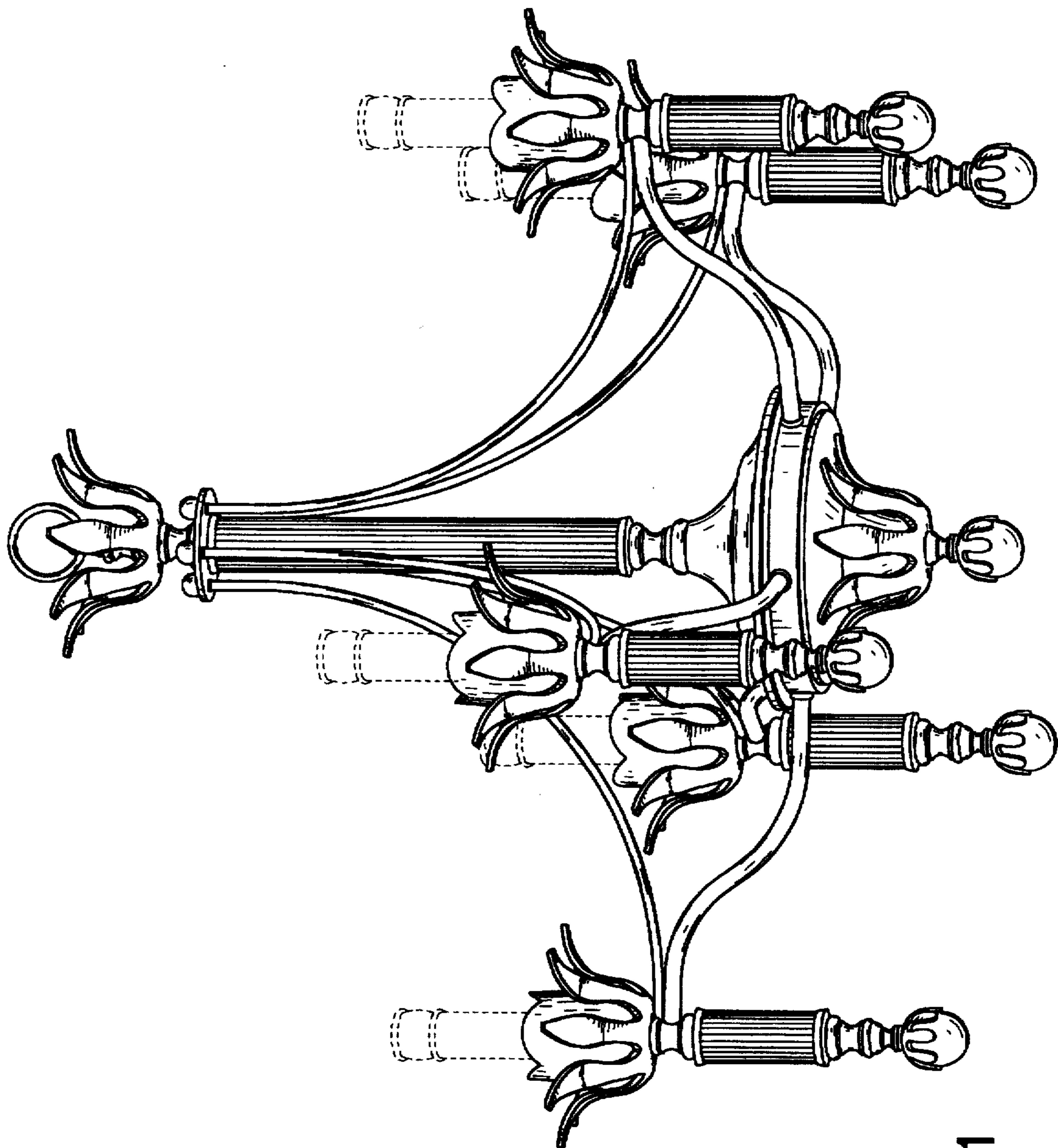


Fig.1

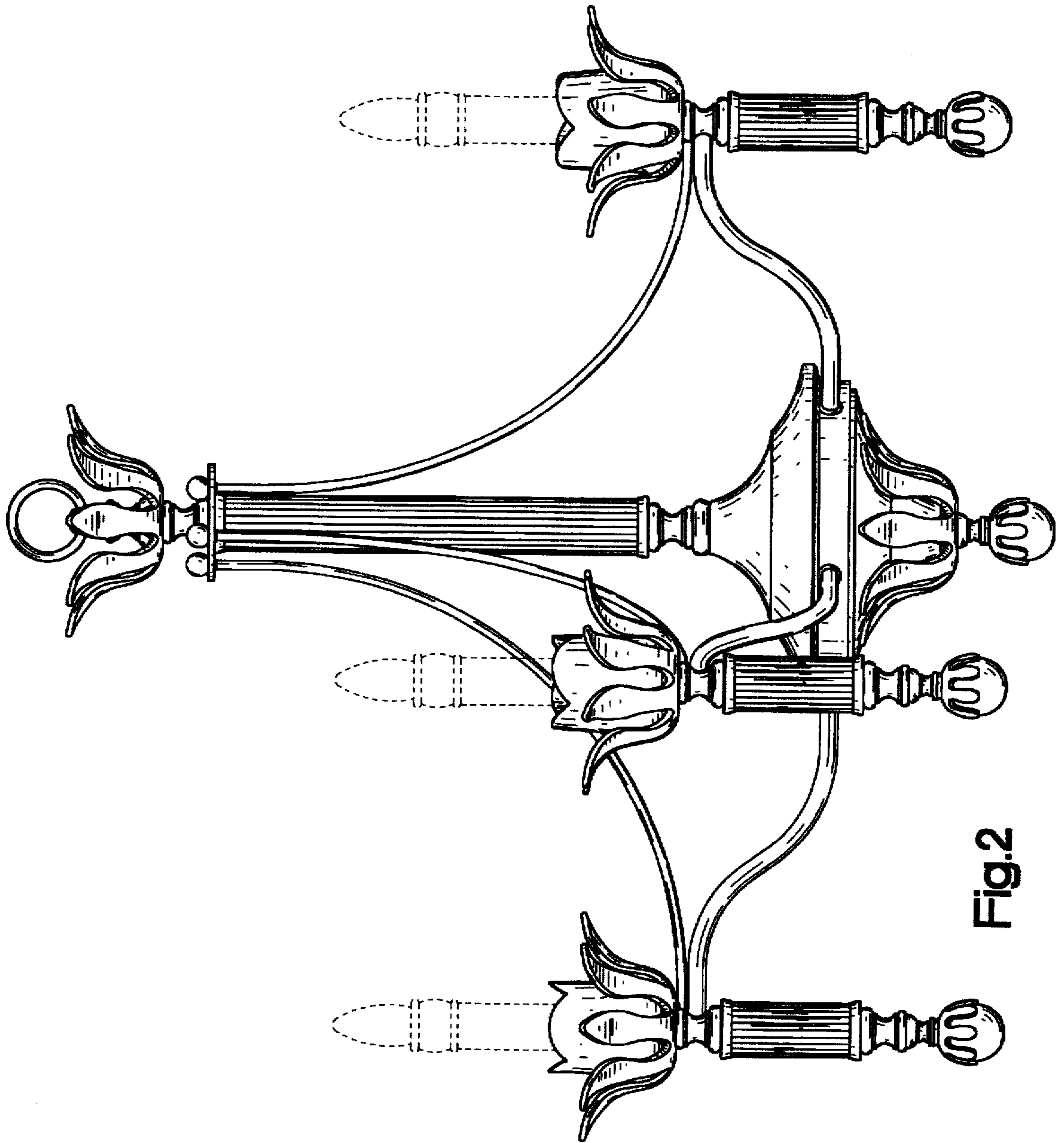


Fig.2

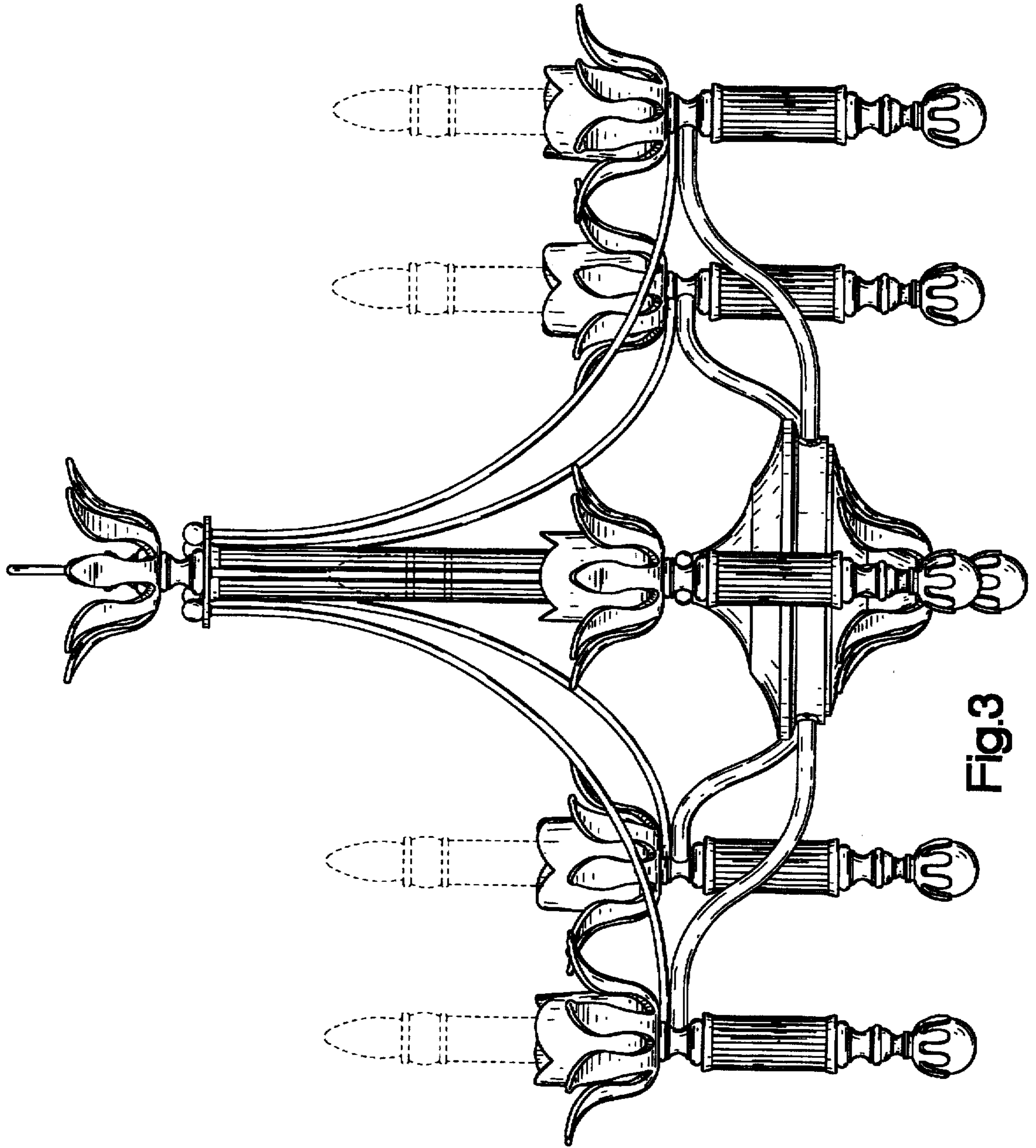


Fig.3

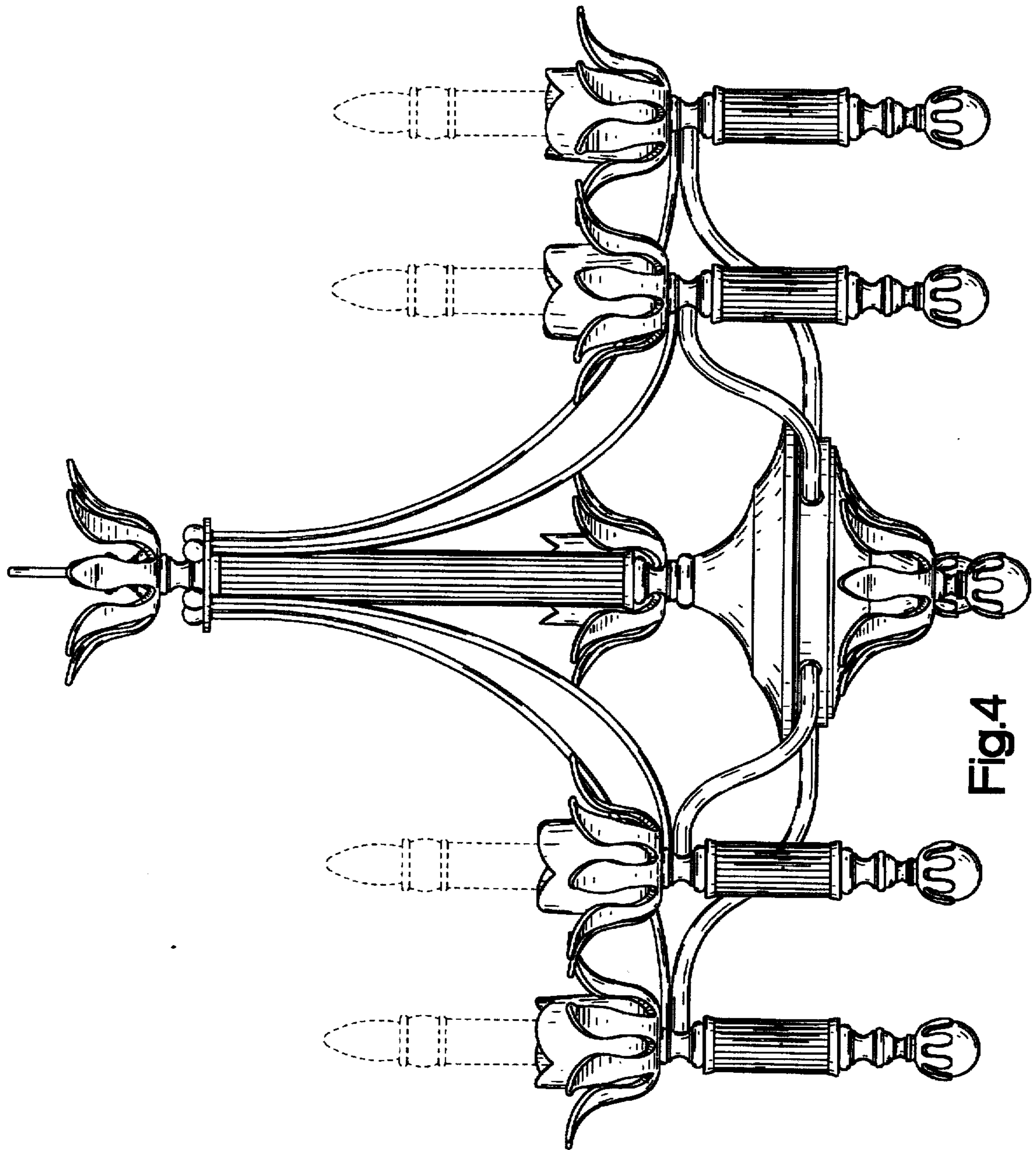


Fig.4

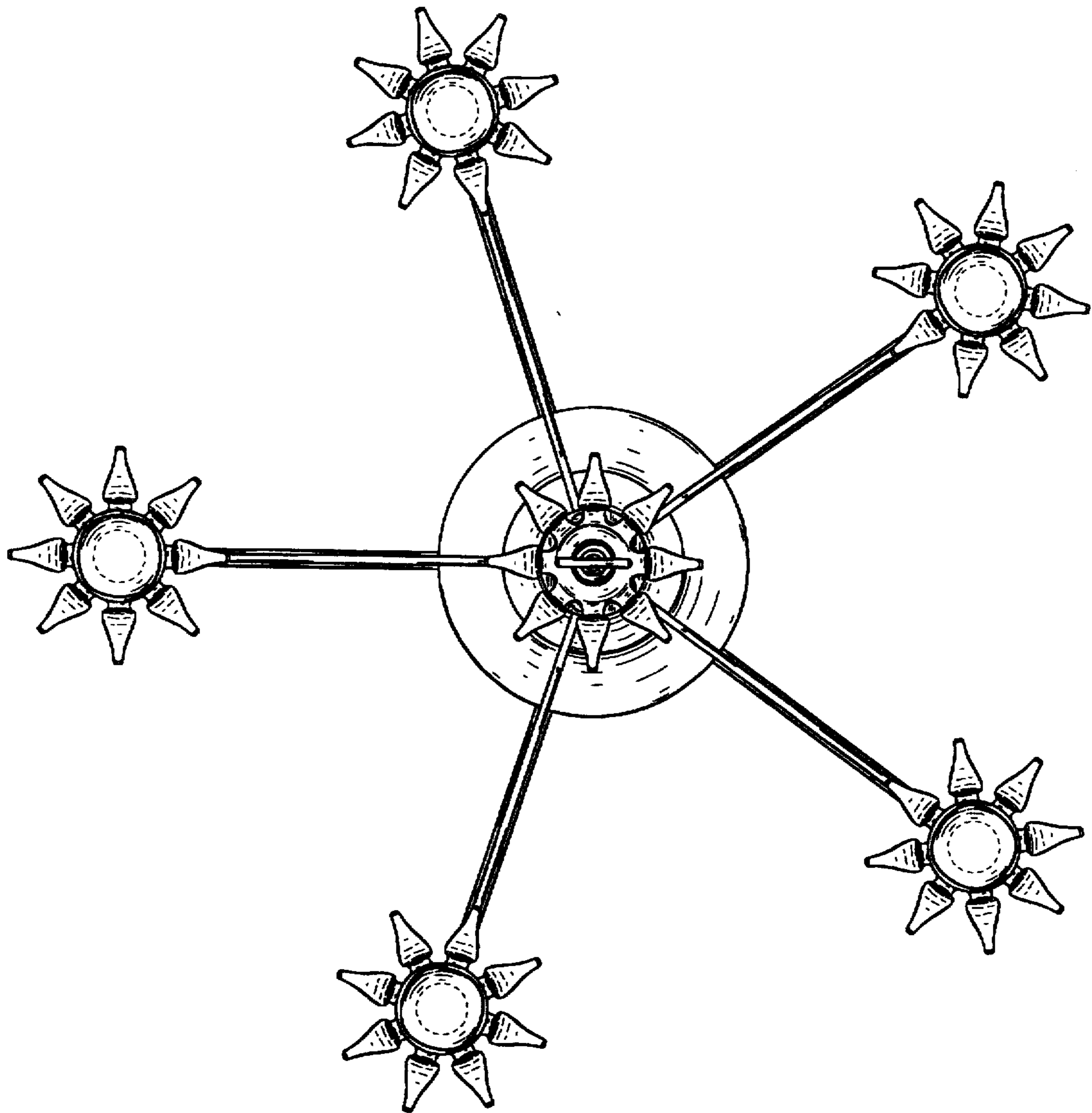


Fig.5

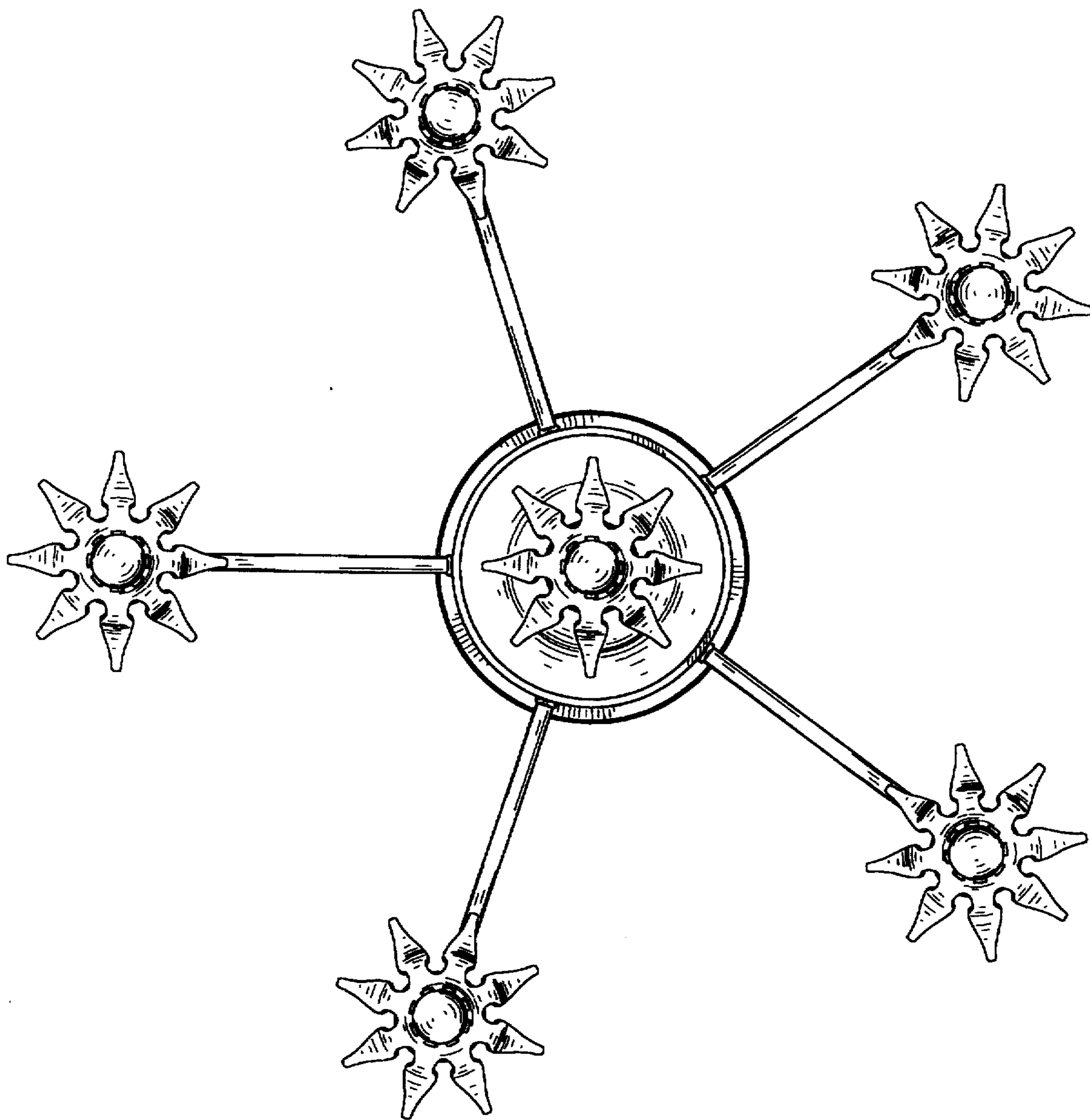


Fig.6