



US00D408574S

United States Patent [19]
Milicia

[11] **Patent Number:** **Des. 408,574**

[45] **Date of Patent:** ****Apr. 20, 1999**

[54] **CHANDELIER**

[75] **Inventor:** **Libbe A. Milicia**, North Royalton, Ohio

[73] **Assignee:** **The L.D. Kichler Co.**, Cleveland, Ohio

[**] **Term:** **14 Years**

[21] **Appl. No.:** **29/086,188**

[22] **Filed:** **Apr. 7, 1998**

[51] **LOC (6) Cl.** **26-05**

[52] **U.S. Cl.** **D26/81; D26/143**

[58] **Field of Search** **D26/72, 80, 81, D26/82, 83, 84, 85, 86, 88, 89, 90, 142, 143, 144; 362/147, 404-408**

[56] **References Cited**

U.S. PATENT DOCUMENTS

D. 386,280 11/1997 Porter D26/81

OTHER PUBLICATIONS

Corbett lighting catalog, p. 65, chandelier #1520, Aug. 1995.
Home Lighting and Accessories, p. 71, Designers Fountain chandelier, bottom, left, May 1996.

Murray Feiss lighting catalog, p. 75, chandelier #F15118/ VG, Mar. 1995.

Quoizel Lighting ad, p. 2, chandelier D, Nov. 1994.

Primary Examiner—Susan J. Lucas

Attorney, Agent, or Firm—Watts, Hoffman, Fisher & Heinke, Co., L.P.A.

[57] **CLAIM**

I claim the ornamental design for a chandelier, as shown and described.

DESCRIPTION

FIG. 1 is a perspective view of a chandelier showing my new design;

FIG. 2 is a right side elevational view of the chandelier;

FIG. 3 is a left side elevational view of the chandelier;

FIG. 4 is a front elevational view of the chandelier;

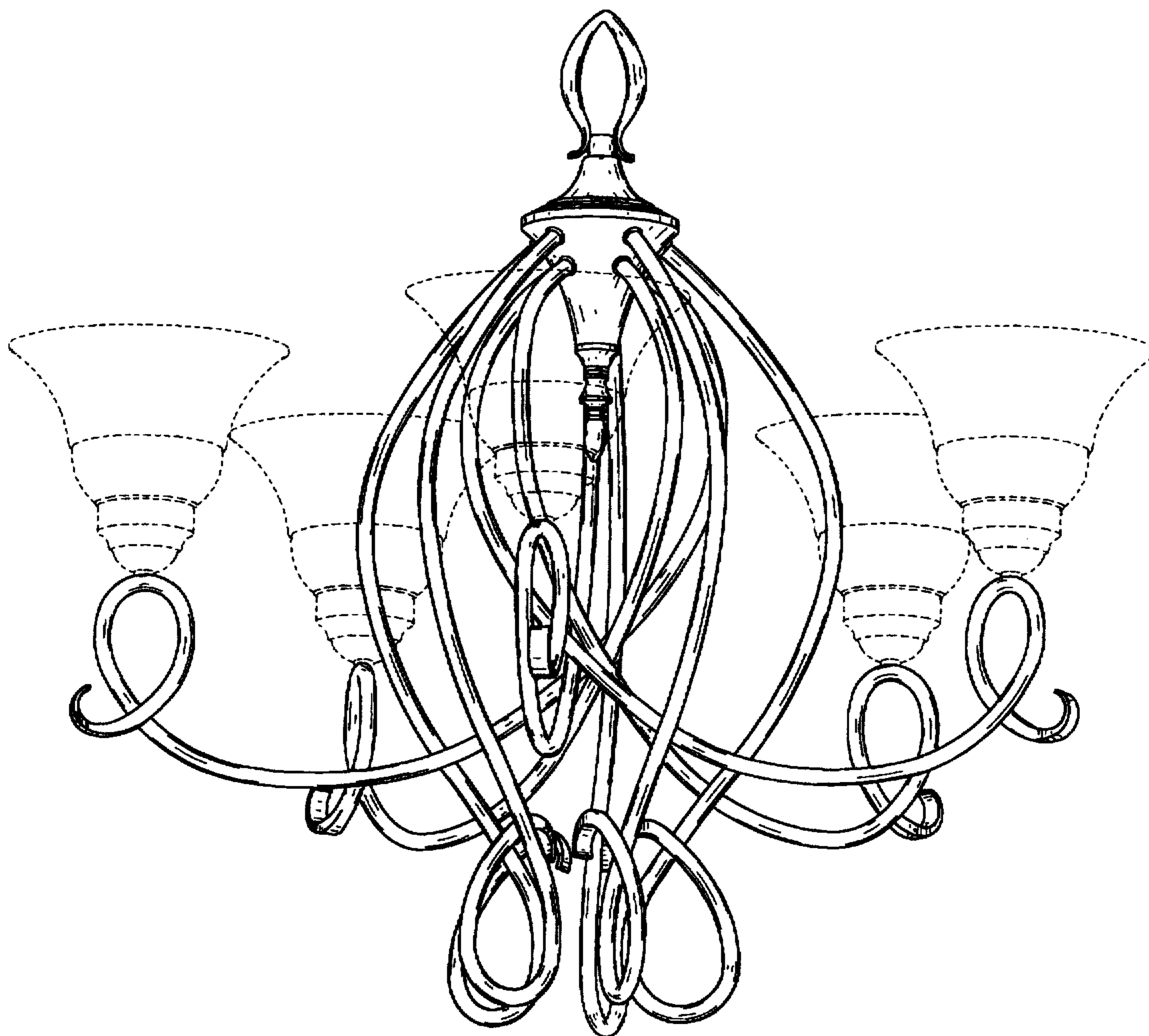
FIG. 5 is a rear elevational view of the chandelier;

FIG. 6 is a top plan view of the chandelier; and,

FIG. 7 is a bottom plan of the chandelier.

The broken lines shown are for illustrative purposes only and forms no part of the claimed design.

1 Claim, 7 Drawing Sheets



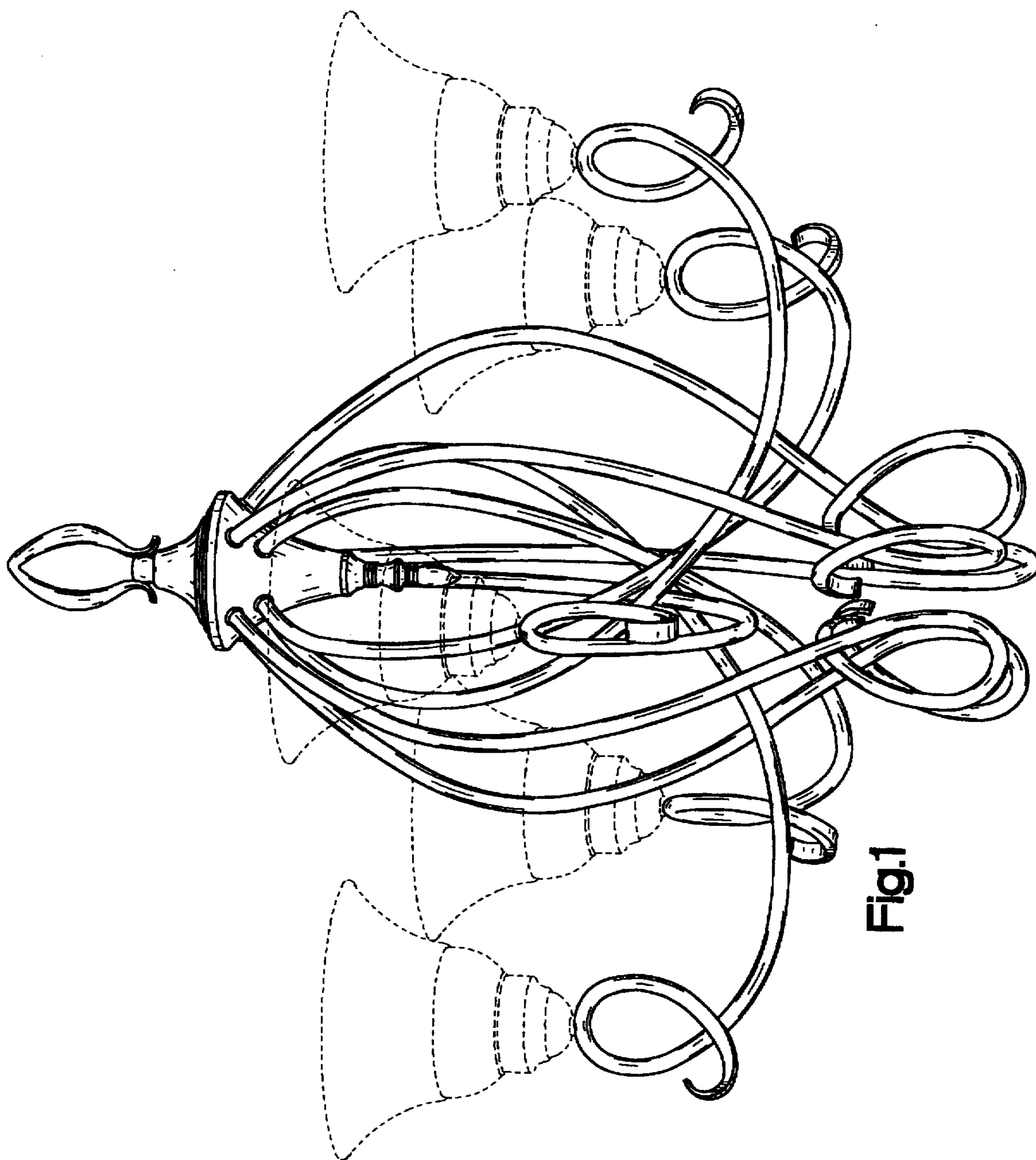


Fig.1

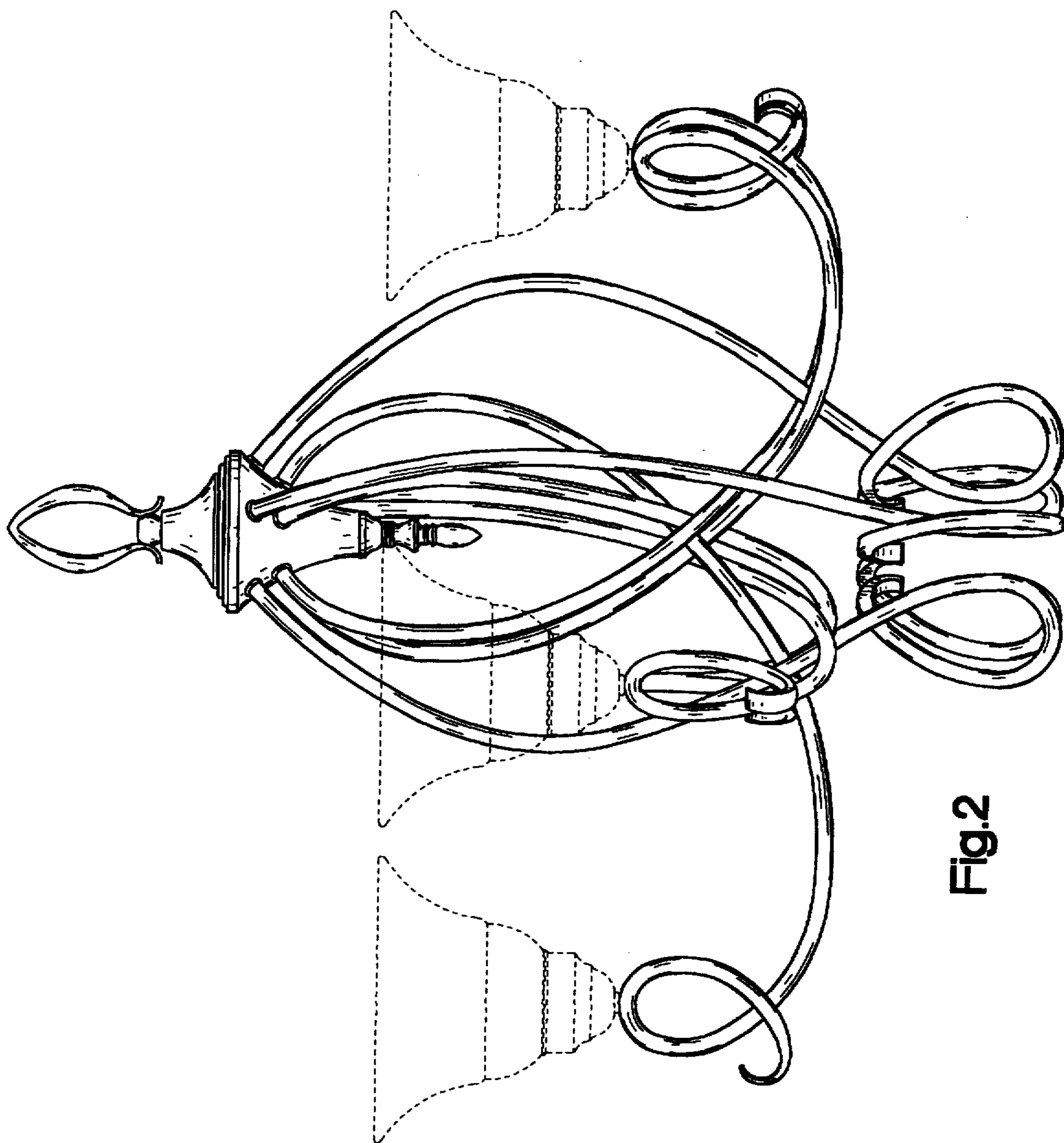


Fig.2

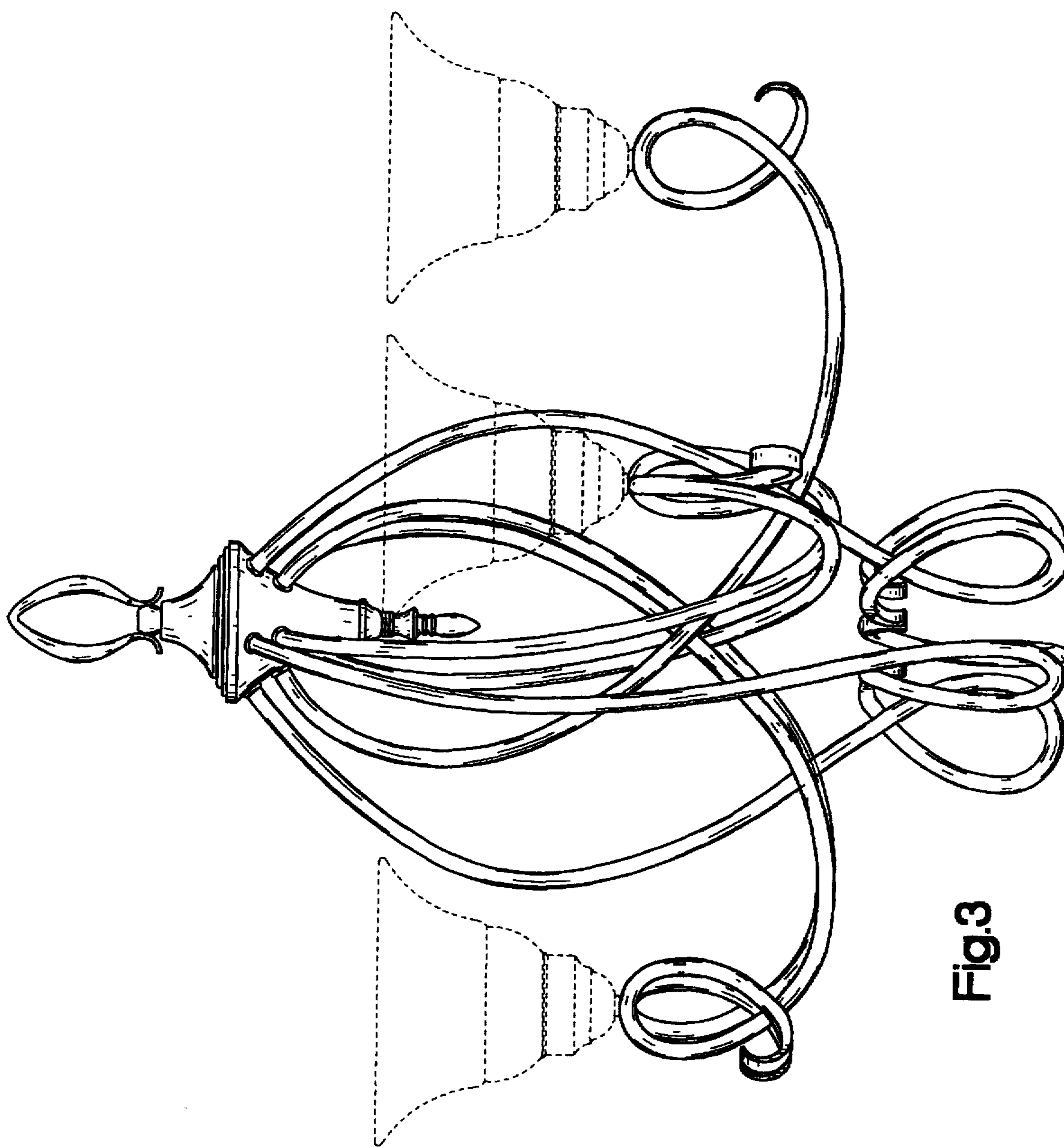


Fig. 3

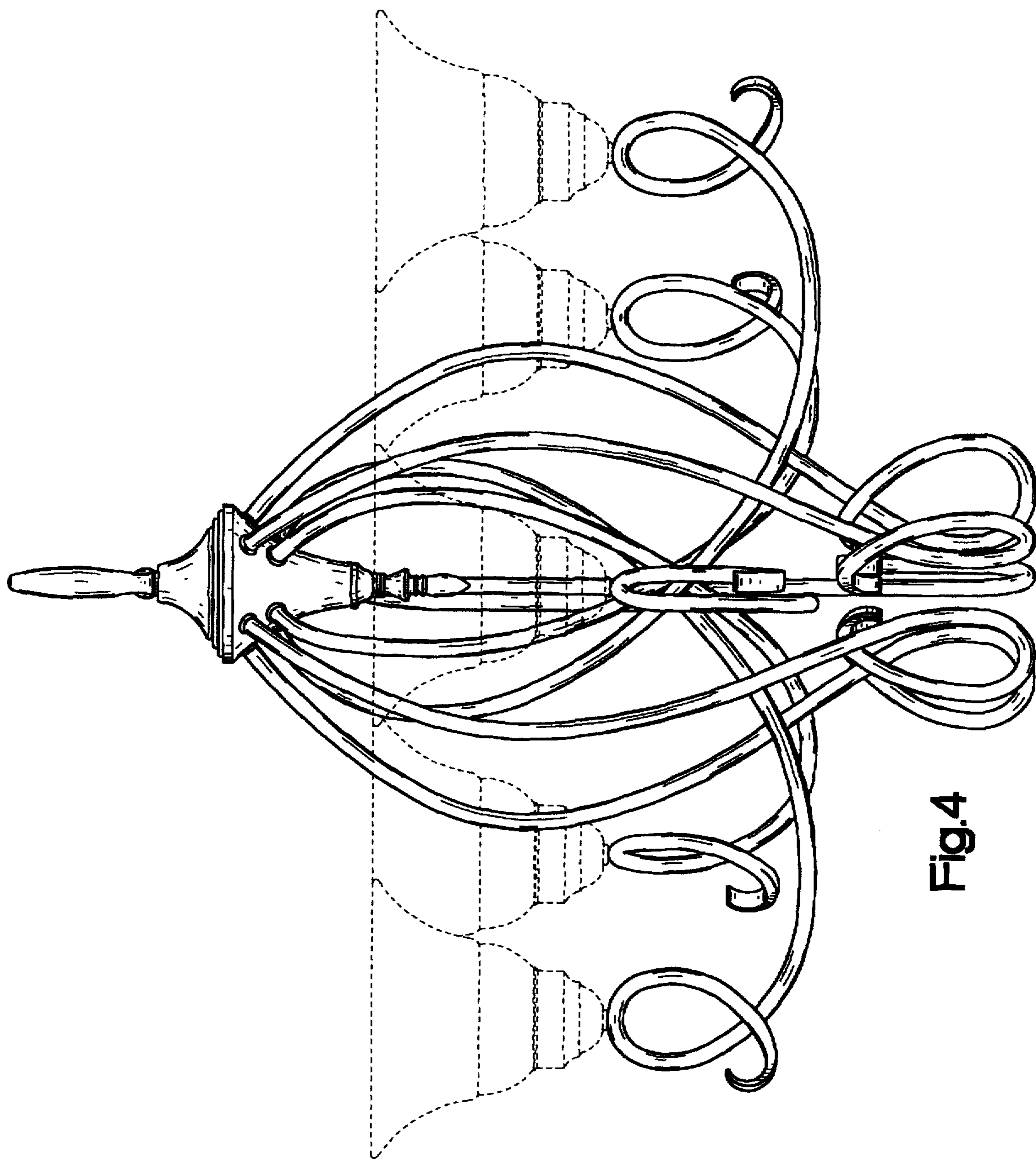


Fig.4

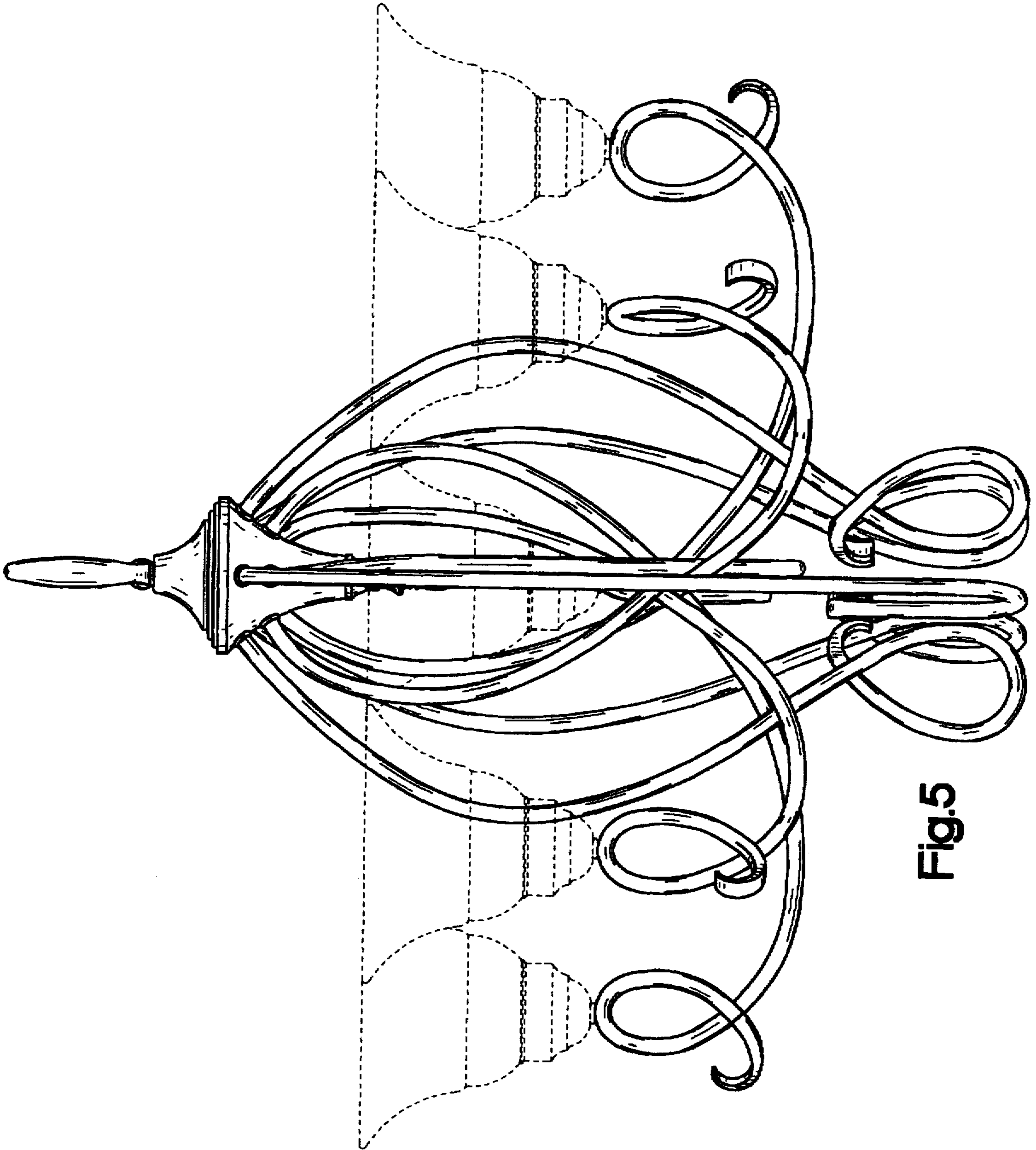


Fig.5

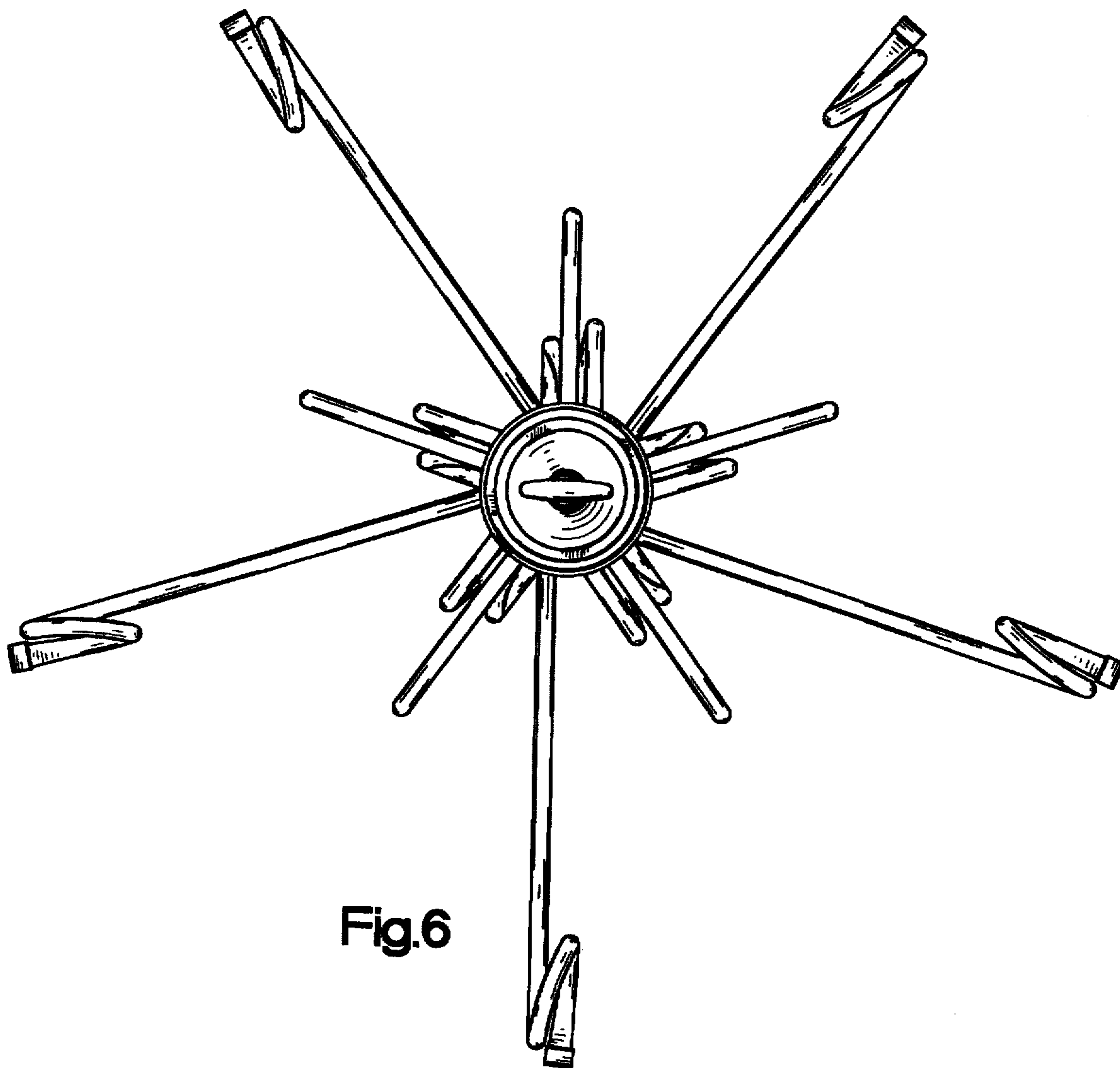


Fig.6

