



US00D408568S

United States Patent [19]
Schaak

[11] **Patent Number: Des. 408,568**
[45] **Date of Patent: **Apr. 20, 1999**

[54] **DESK LAMP**

[75] **Inventor: Lee Schaak, Dix Hills, N.Y.**
[73] **Assignee: MTL S Lighting Co., New York, N.Y.**
[**] **Term: 14 Years**

[21] **Appl. No.: 29/089,351**
[22] **Filed: Jun. 12, 1998**

[51] **LOC (6) CL 26-05**
[52] **U.S. Cl. D26/62; D26/107**
[58] **Field of Search D26/60-66, 93,
D26/102-112; 362/410-414, 418, 419,
427, 269, 275, 287**

[56] **References Cited**

U.S. PATENT DOCUMENTS

D. 375,378 11/1996 Wang D26/65
D. 391,665 3/1998 Yang D26/63 X
4,974,135 11/1990 Wen-tung 362/413 X

OTHER PUBLICATIONS

B. A. Pargh Co. Inc. catalog, p. 323, Panasonic desk lamp, Jun. 1990.

Primary Examiner—Susan J. Lucas
Attorney, Agent, or Firm—Smith Patent Office

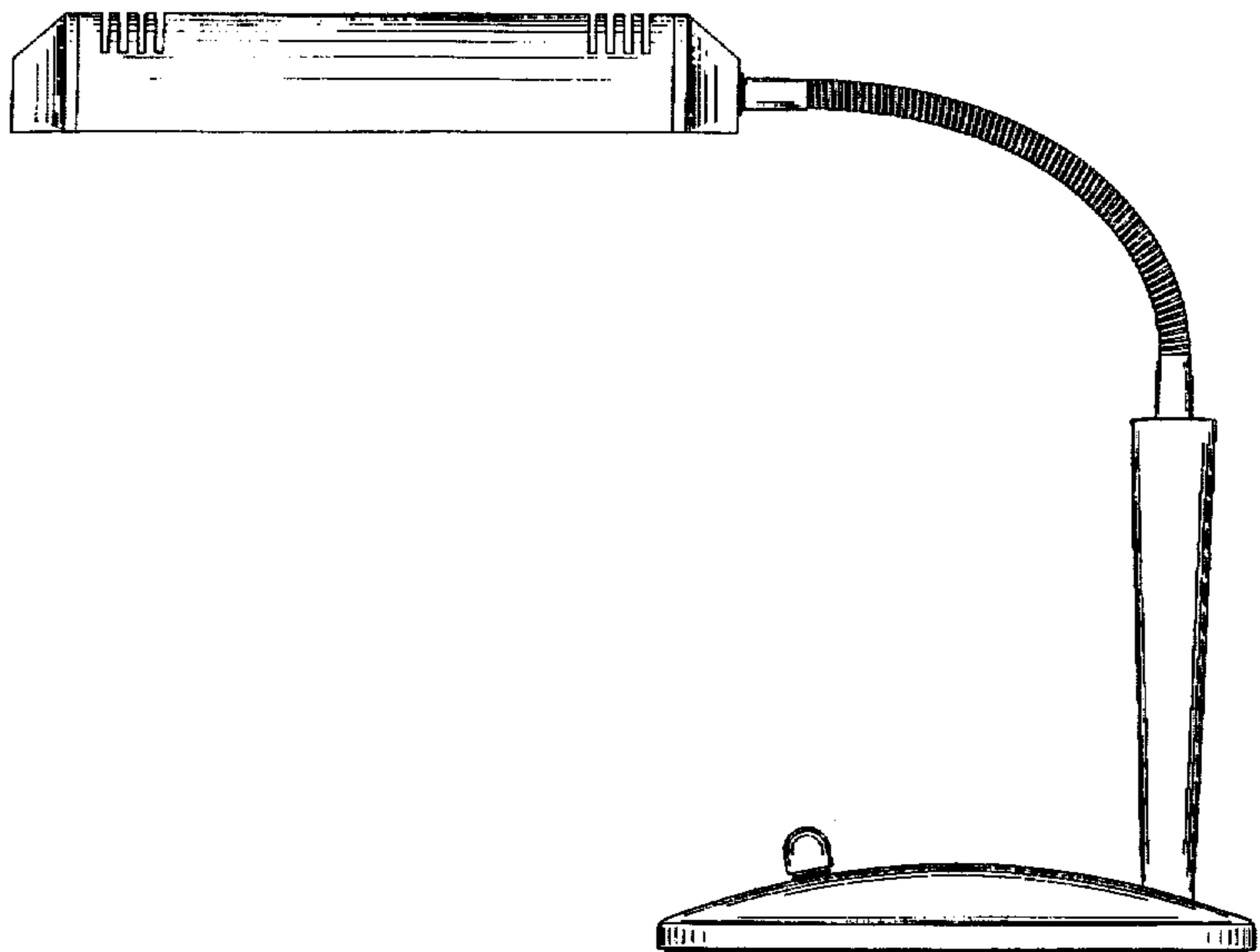
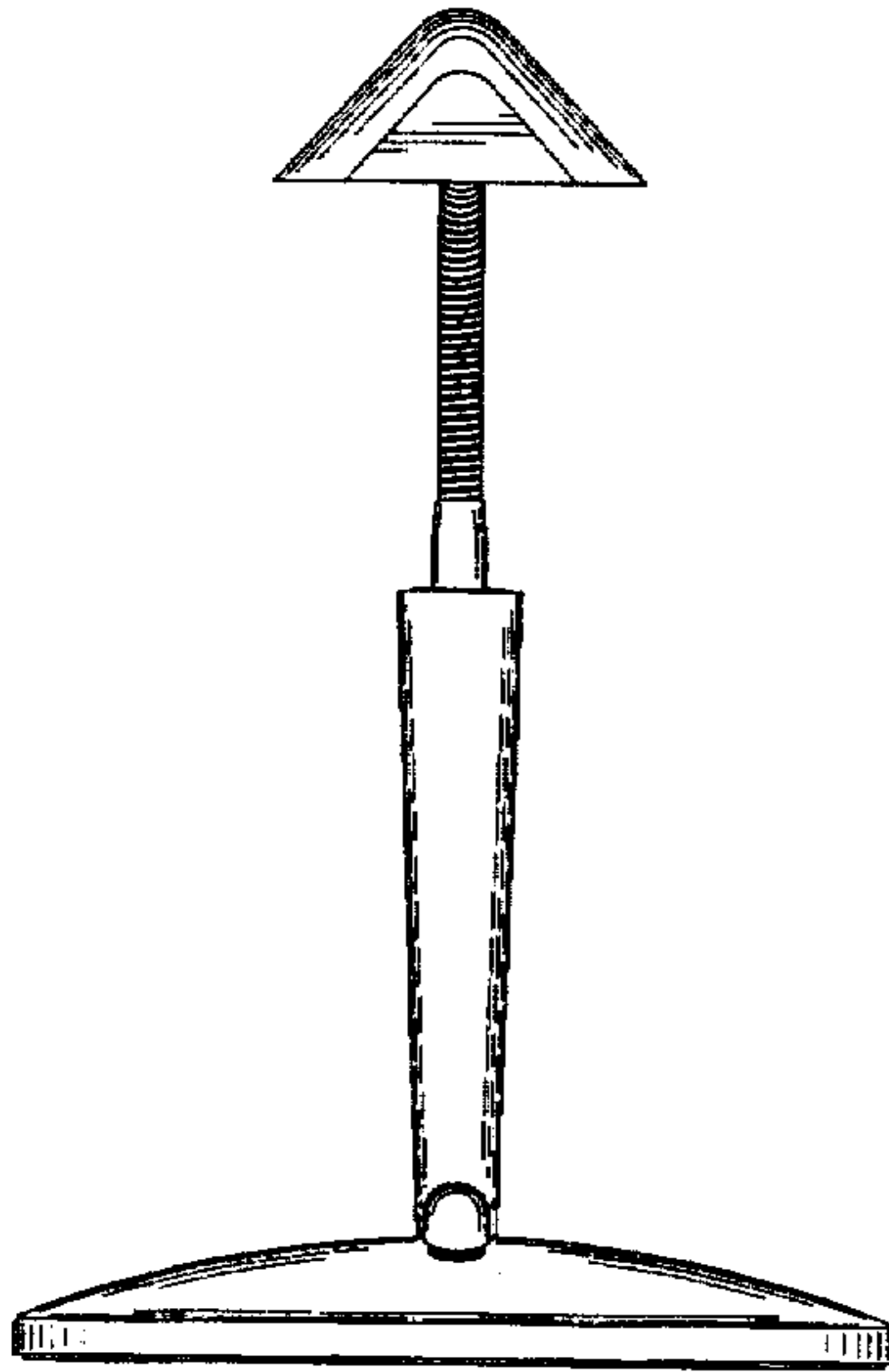
[57] **CLAIM**

I claim the ornamental design for the desk lamp, as shown and described.

DESCRIPTION

FIG. 1 is a front view of the desk lamp showing my new design;
FIG. 2 is a rear view of the desk lamp shown in FIG. 1;
FIG. 3 is a right side view of the desk lamp shown in FIG. 1;
FIG. 4 is a left side view of the desk lamp shown in FIG. 1;
FIG. 5 is a top view of the desk lamp shown in FIG. 1; and,
FIG. 6 is a bottom view of the desk lamp shown in FIG. 1.

1 Claim, 6 Drawing Sheets



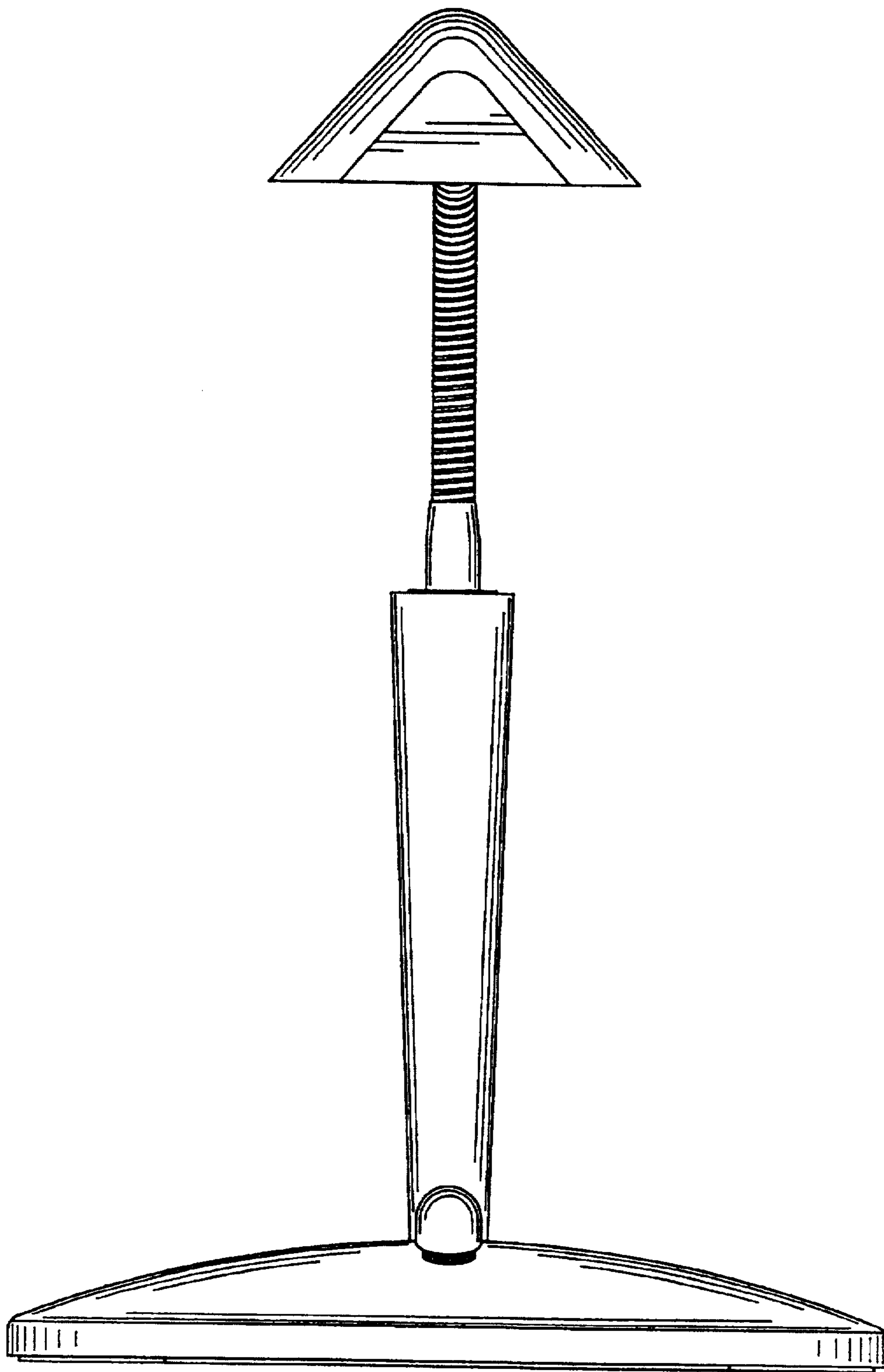


FIG. 1

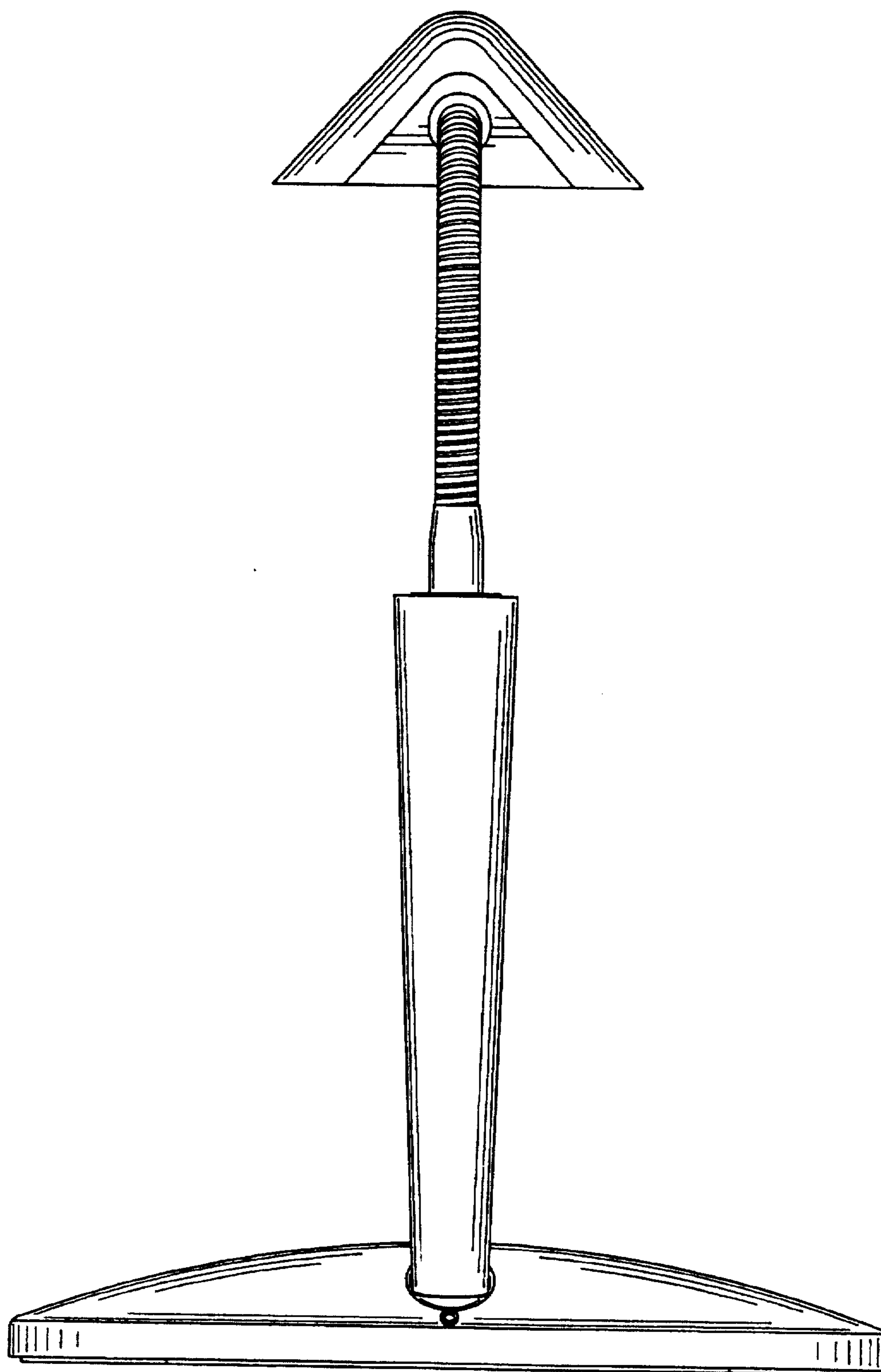


FIG. 2

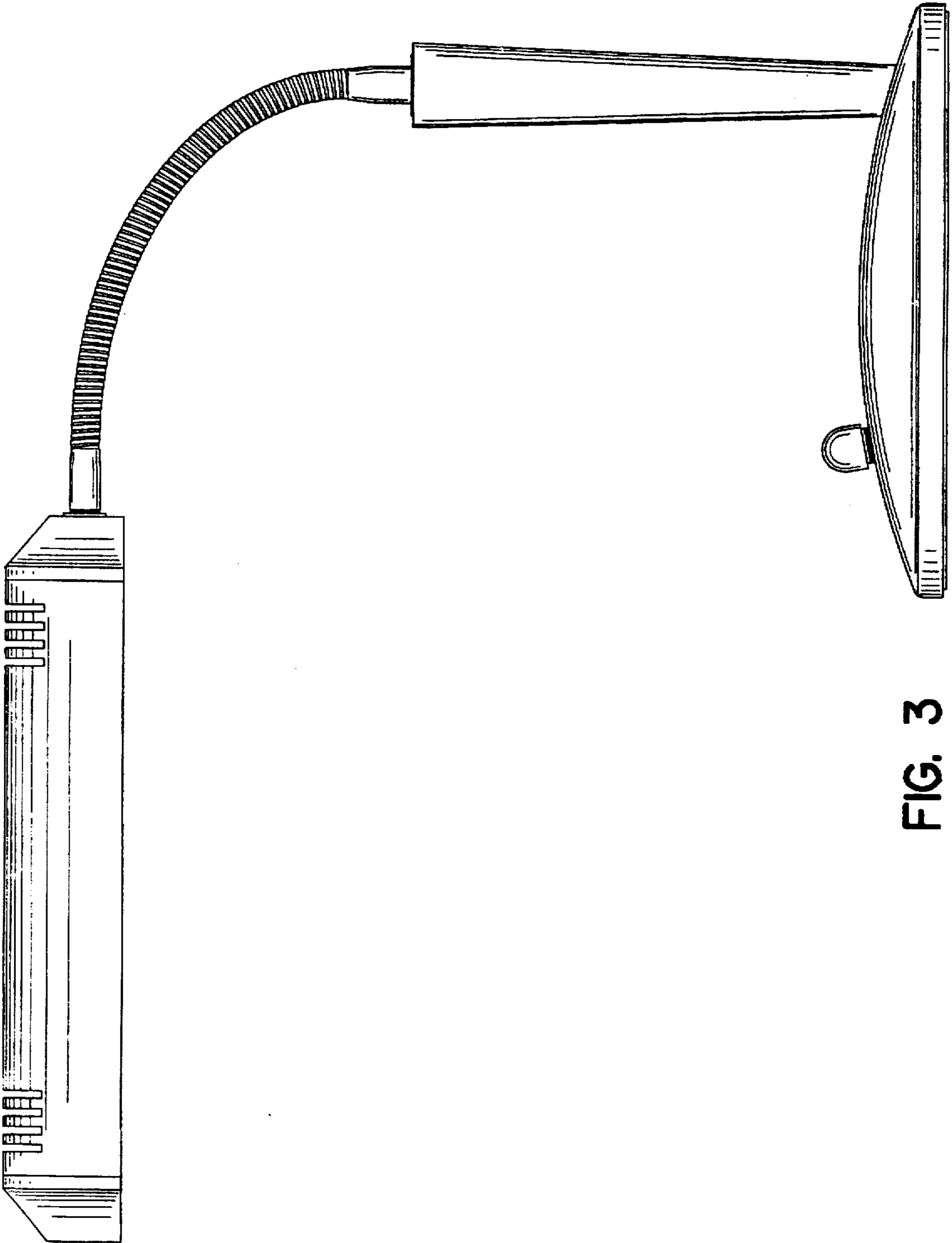


FIG. 3

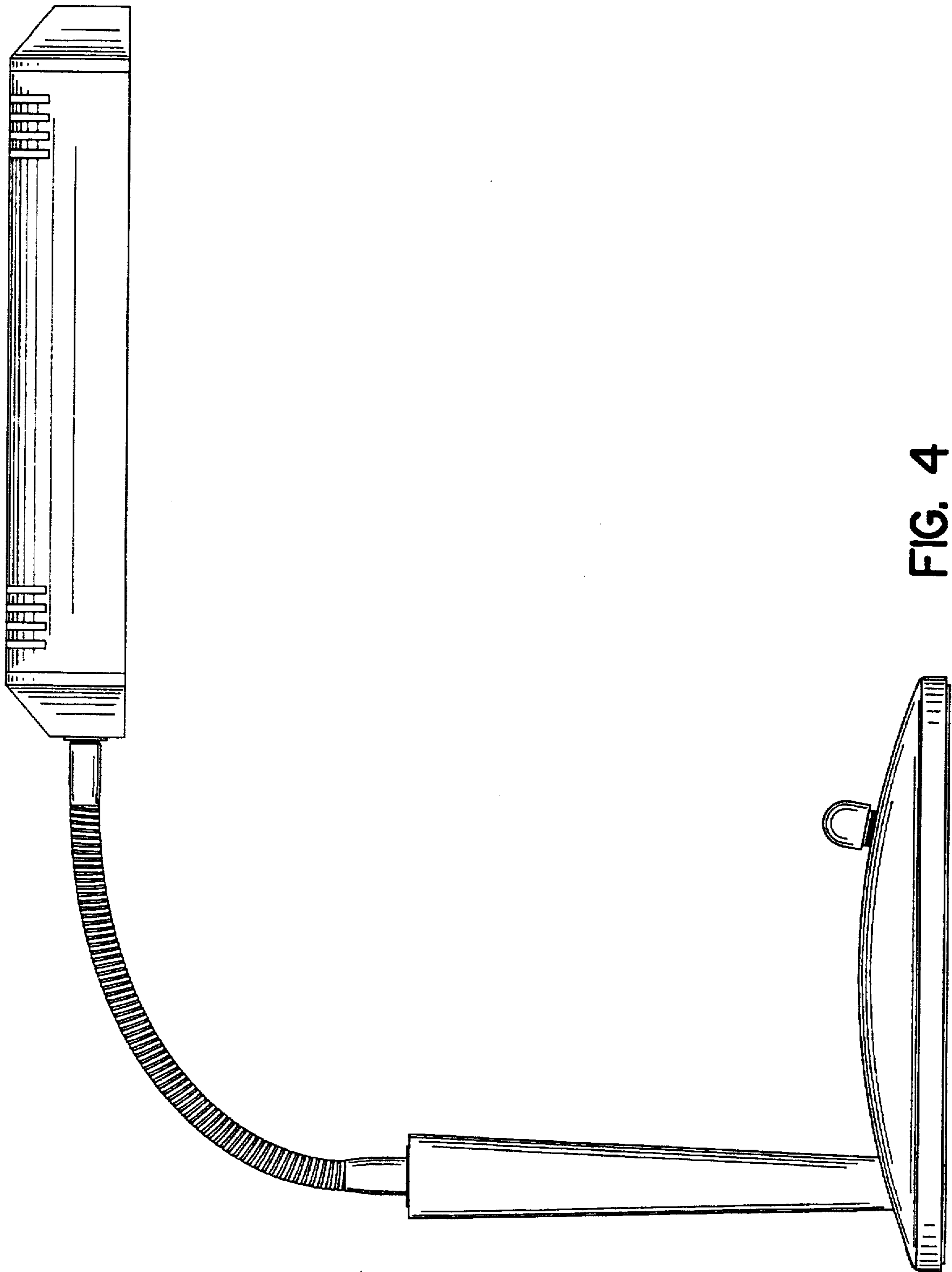


FIG. 4

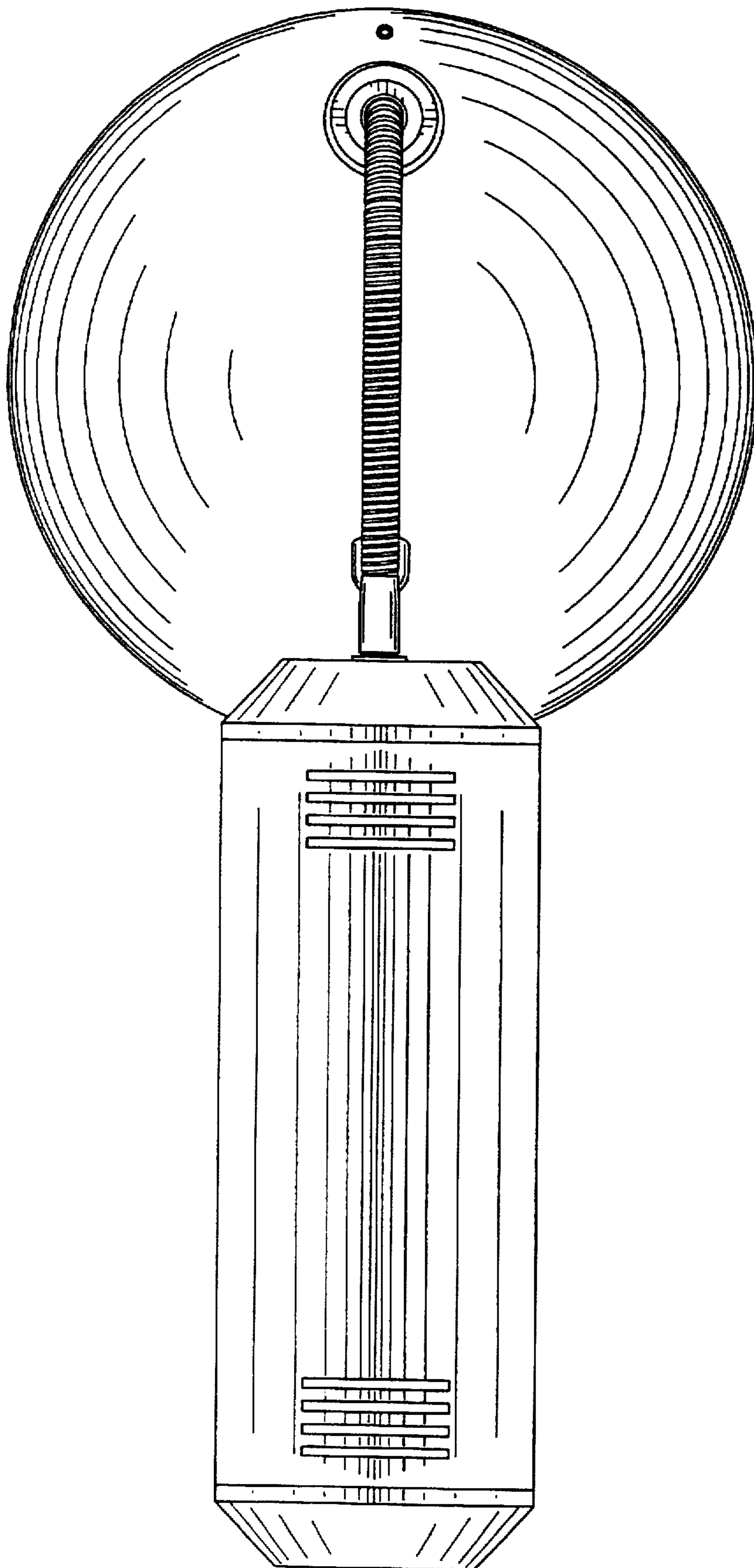


FIG. 5

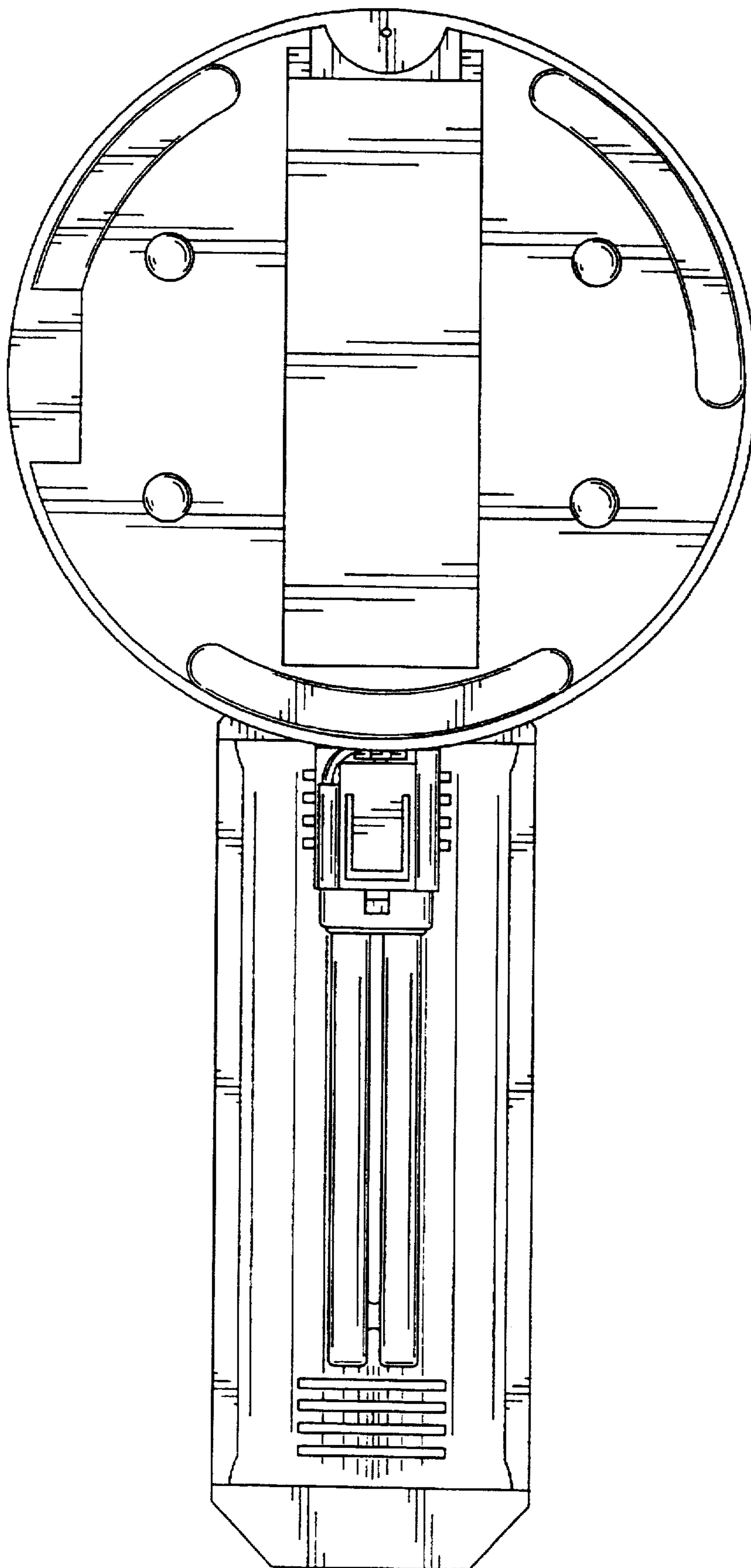


FIG. 6