



US00D408567S

# United States Patent [19]

Coe

[11] Patent Number: **Des. 408,567**

[45] Date of Patent: **\*\*Apr. 20, 1999**

[54] **READING LIGHT**

[75] Inventor: **Matthew Coe, Asbury, N.J.**

[73] Assignee: **Pharma Design, Inc., Warren, N.J.**

[\*\*] Term: **14 Years**

[21] Appl. No.: **29/082,014**

[22] Filed: **Jan. 13, 1998**

[51] LOC (6) CL ..... **26-05**

[52] U.S. Cl. .... **D26/60; D26/63**

[58] Field of Search ..... **D26/63, 65, 60; 362/267, 269, 275, 285, 287, 418, 419, 427, 198, 191, 98, 396, 190**

[56] **References Cited**

**U.S. PATENT DOCUMENTS**

- D. 374,100 9/1996 Chen ..... D26/60
- D. 397,468 8/1998 Zeller ..... D26/60
- D. 397,478 8/1998 Booty, Jr. .... D26/65

- 4,581,684 4/1986 Mazzucco ..... 362/98
- 5,169,226 12/1992 Friedman ..... 362/190

*Primary Examiner*—Susan J. Lucas  
*Attorney, Agent, or Firm*—Watov & Kipnes, P.C.

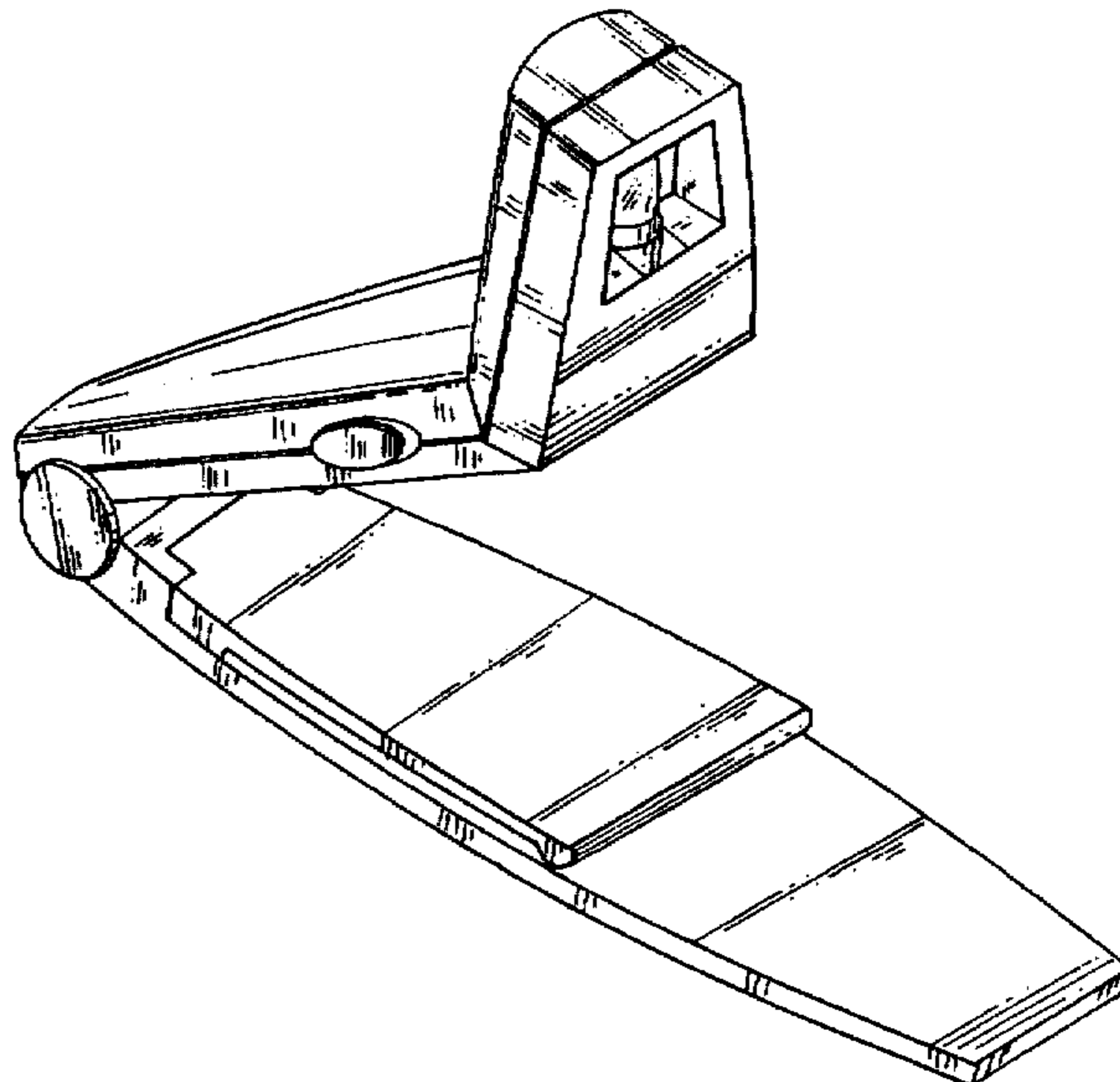
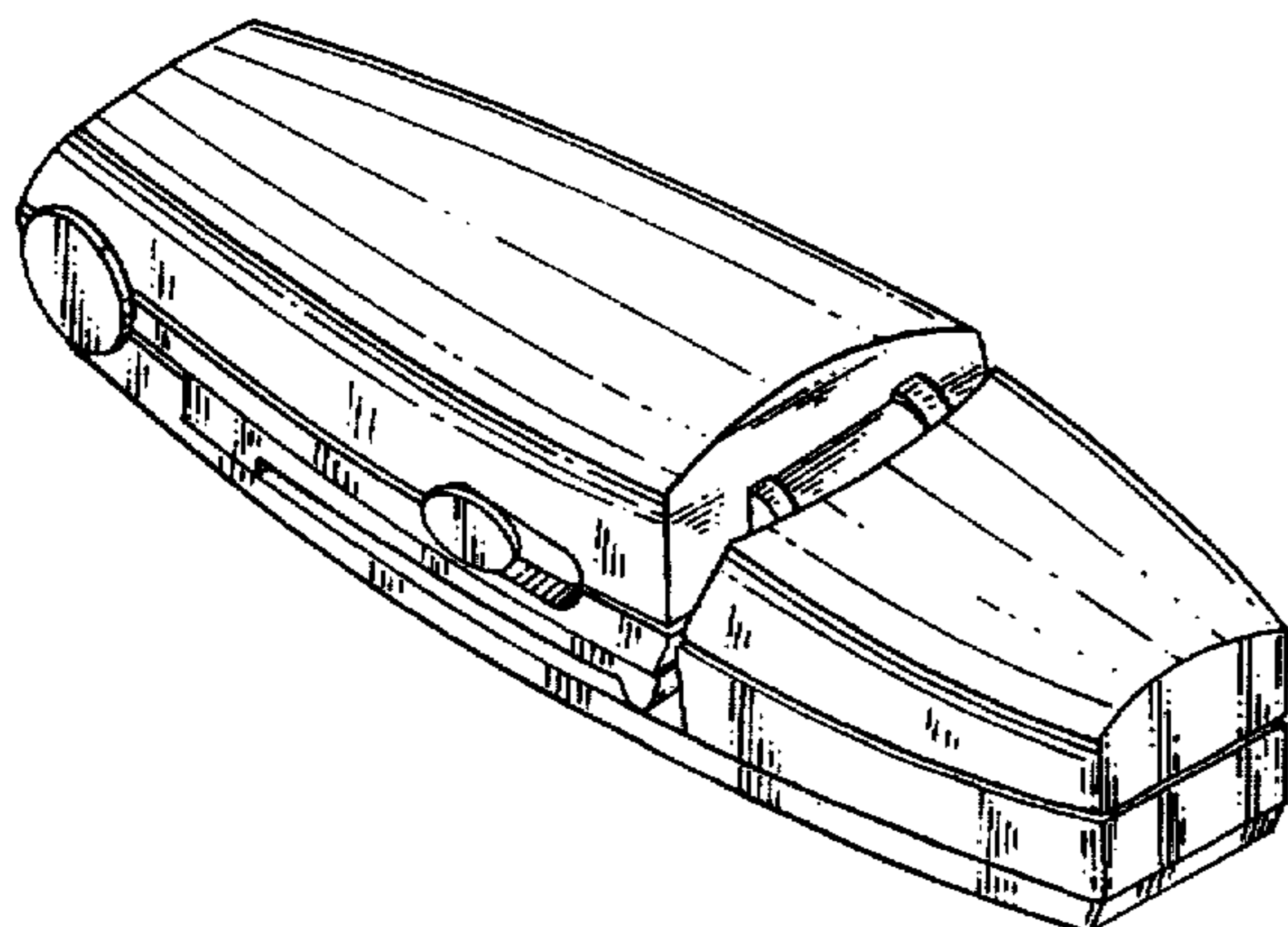
[57] **CLAIM**

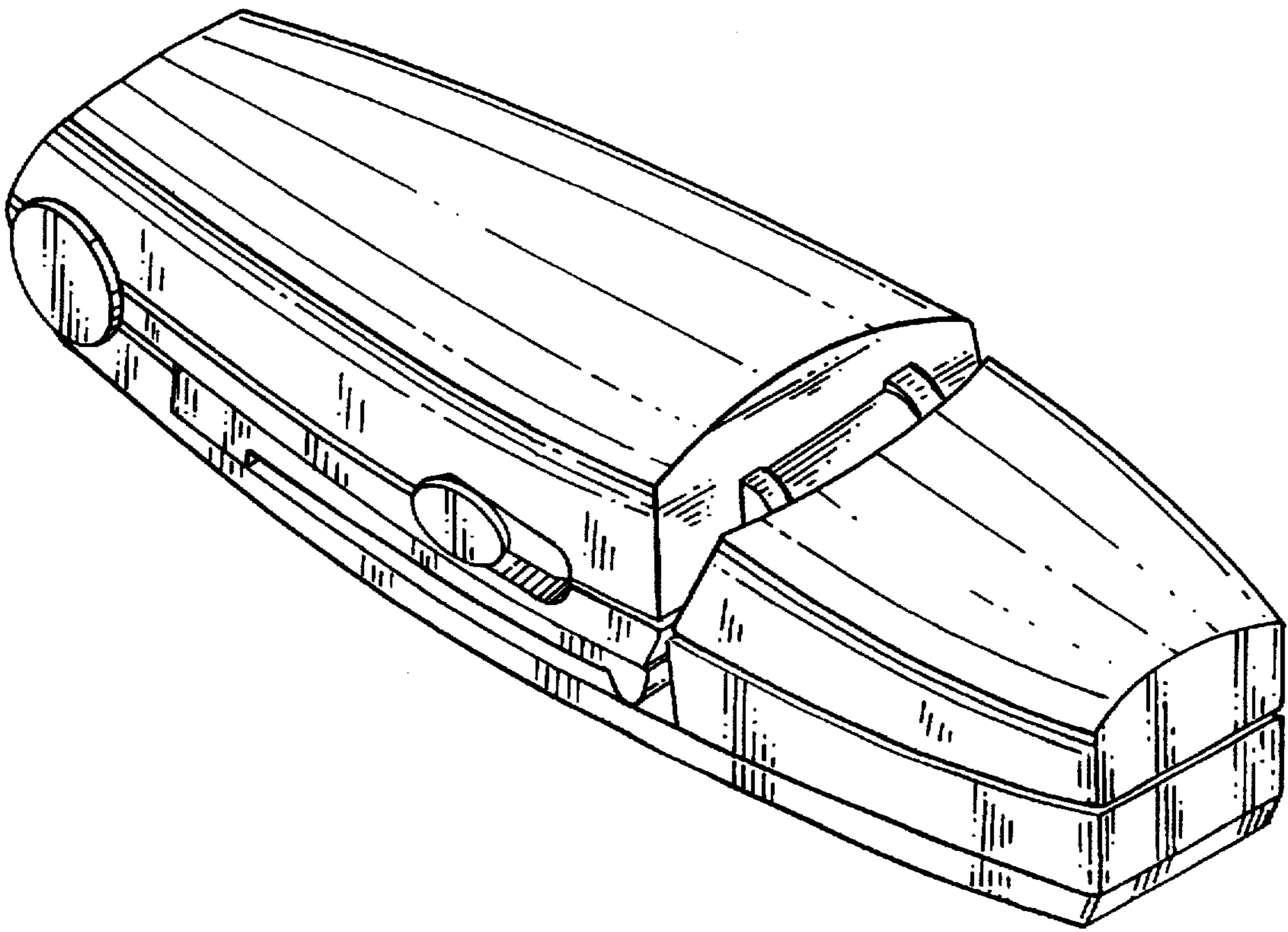
The ornamental design for a reading light, as shown and described.

**DESCRIPTION**

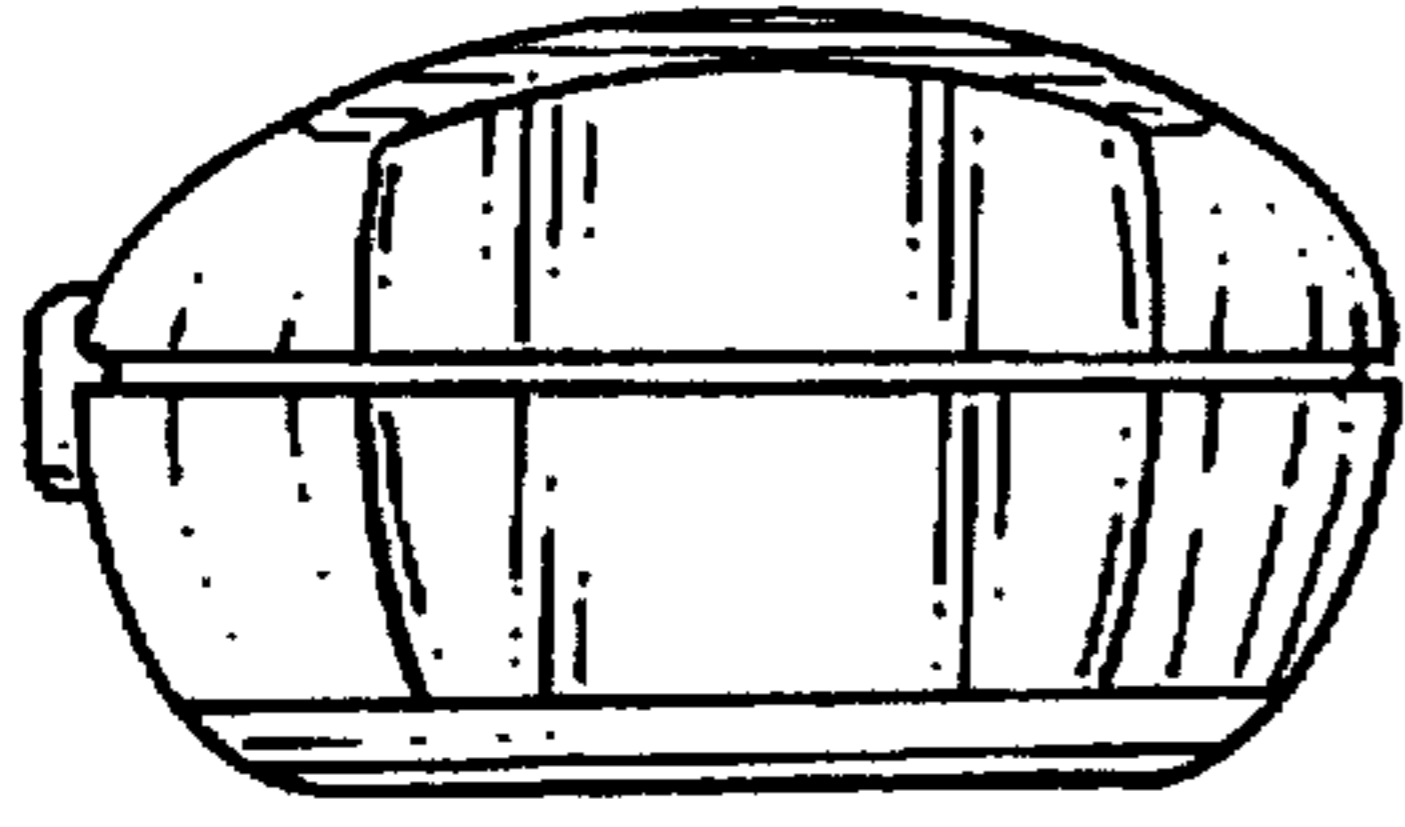
FIG. 1 is a perspective view showing the top left and front of the reading light;  
 FIG. 2 is a front elevational view thereof;  
 FIG. 3 is a rear elevational view thereof;  
 FIG. 4 is a left side elevational view thereof;  
 FIG. 5 is a right side elevational view thereof;  
 FIG. 6 is a top plan view thereof;  
 FIG. 7 is a bottom plan view thereof; and,  
 FIG. 8 is a perspective view showing the reading light in an operating position.

**1 Claim, 4 Drawing Sheets**

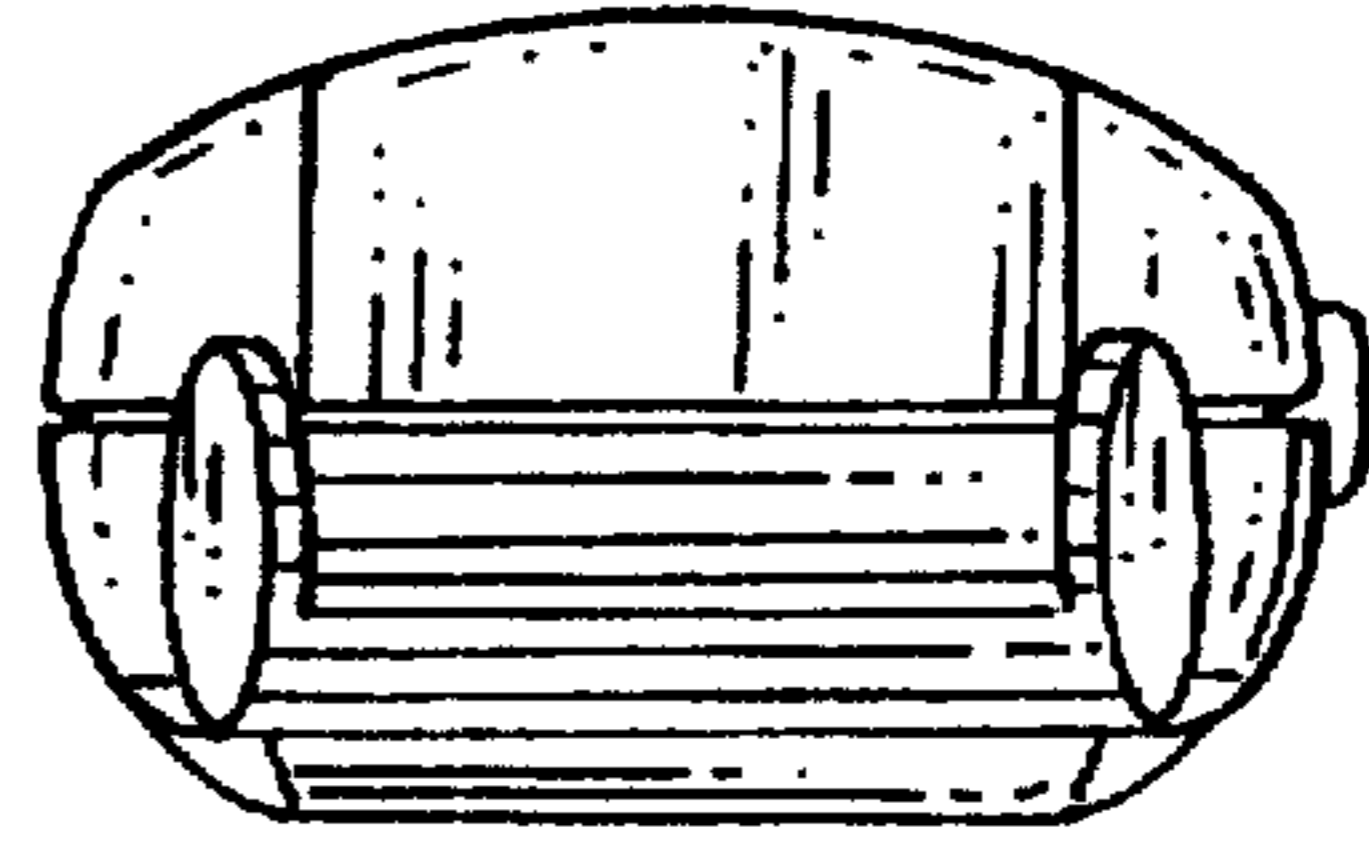




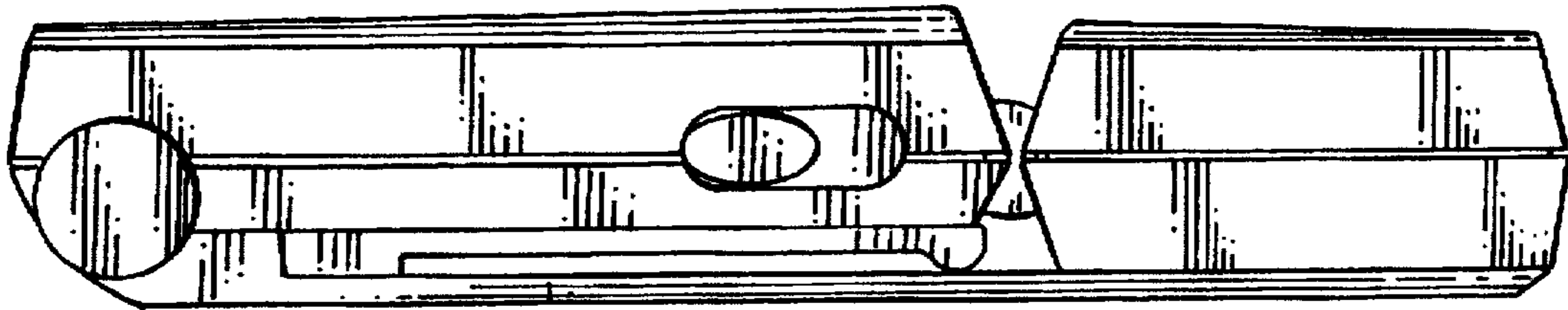
**FIG. 1**



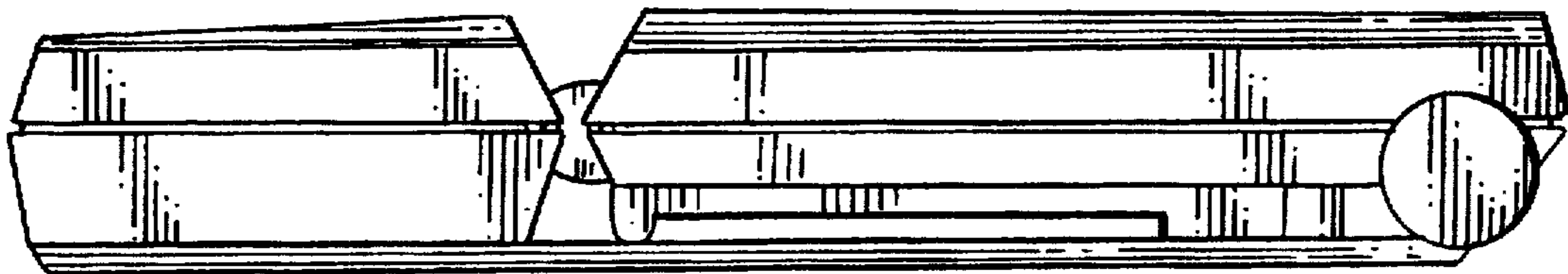
*FIG. 2*



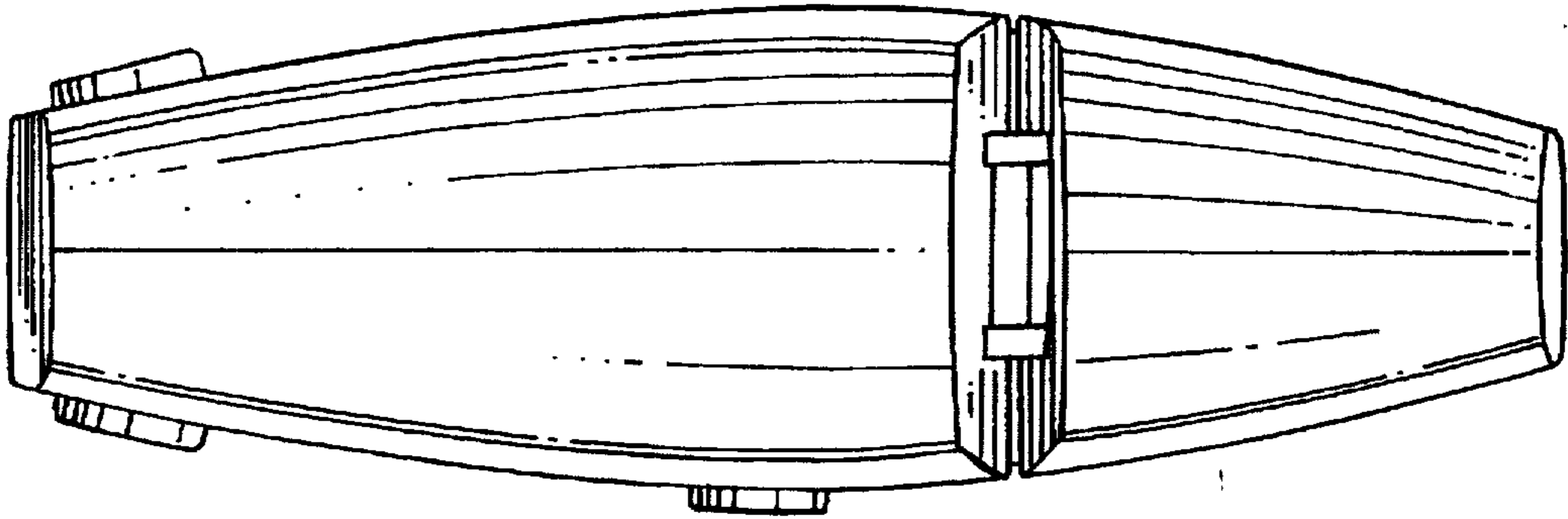
*FIG. 3*



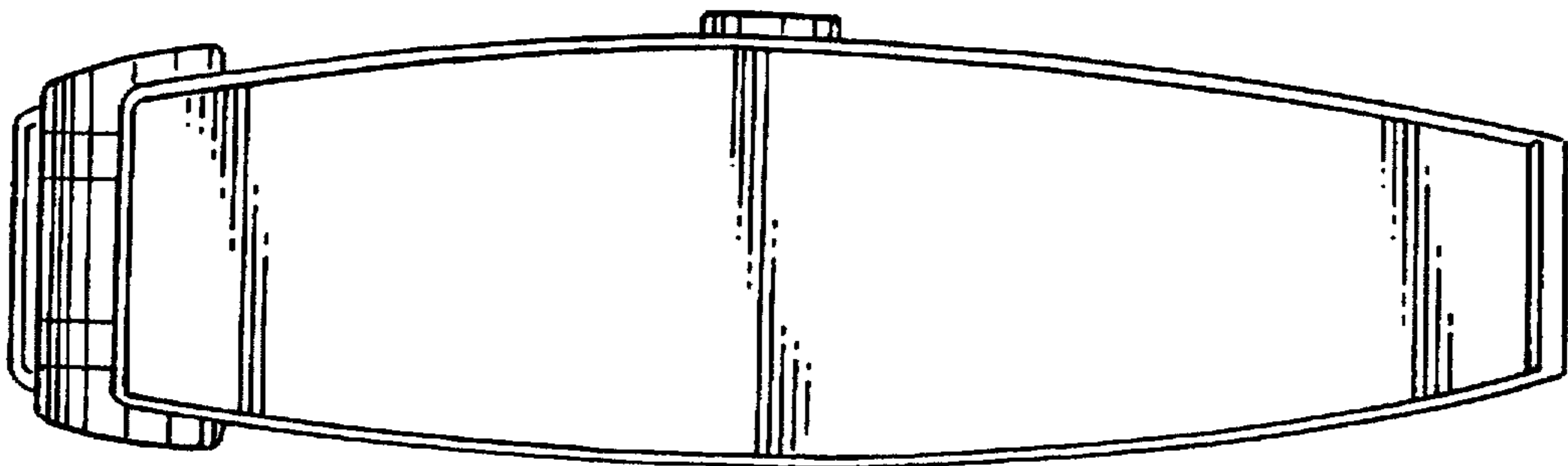
*FIG. 4*



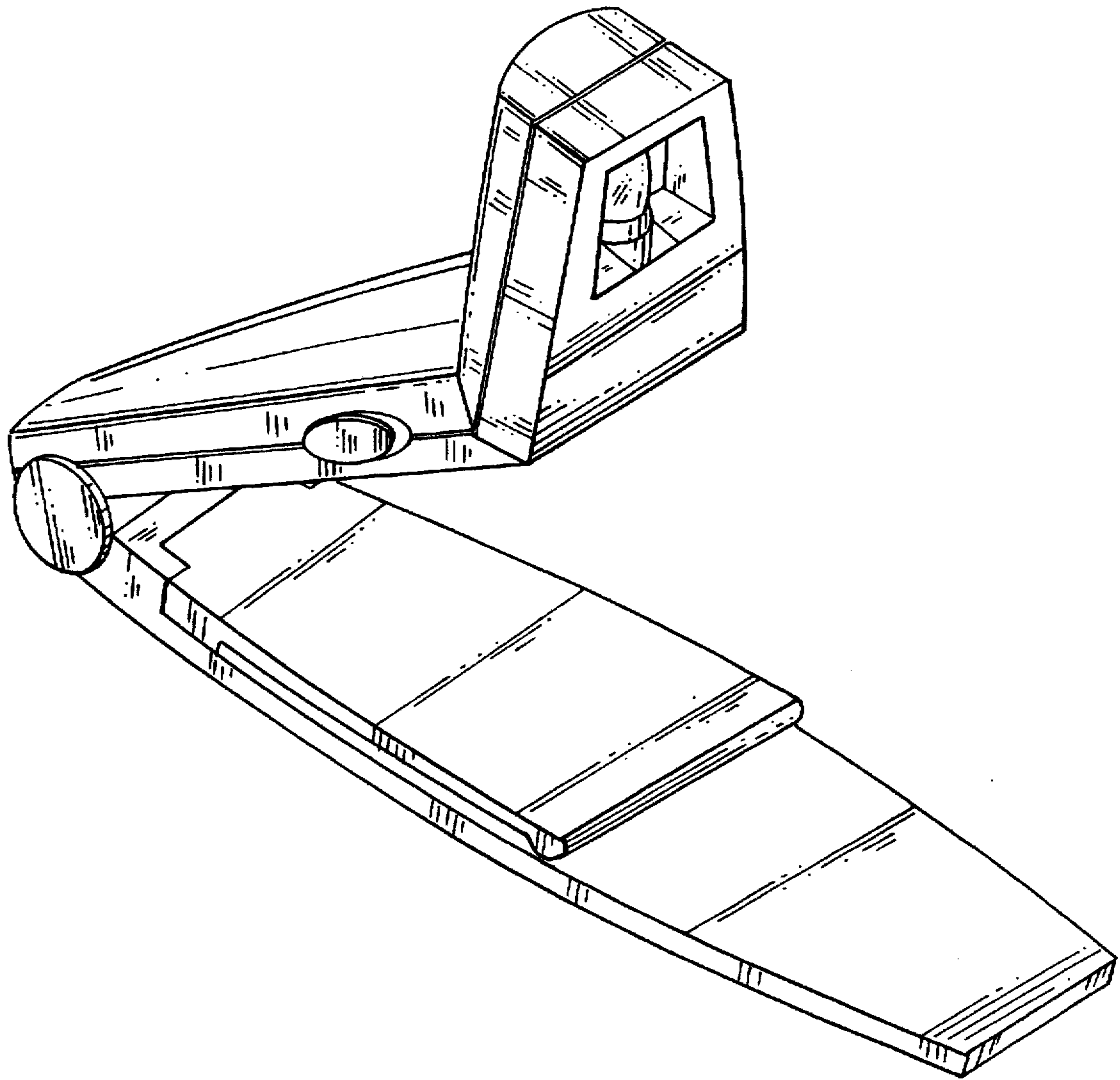
*FIG. 5*



*FIG. 6*



*FIG. 7*



**FIG. 8**