



US00D408566S

United States Patent [19]

Welsh et al.

[11] Patent Number: **Des. 408,566**

[45] Date of Patent: ****Apr. 20, 1999**

[54] **FLEXIBLE FLASHLIGHT**

[75] Inventors: **Robert P Welsh**, Gettysburg, Pa.;
Thomas Swyst, Arlington, Mass.;
Timothy J. Coonahan, Londonderry,
N.H.; **Alan D. Ball**, Arlington, Mass.

[73] Assignee: **Black & Decker Inc.**, Newark, Del.

[**] Term: **14 Years**

[21] Appl. No.: **29/058,264**

[22] Filed: **Aug. 9, 1996**

[51] LOC (6) CL **26-02**

[52] U.S. Cl. **D26/43**

[58] Field of Search **D26/37-50; 362/157,**
362/158, 183-208, 362, 396

[56] **References Cited**

U.S. PATENT DOCUMENTS

D. 192,935 5/1962 Becker D26/43
D. 371,855 7/1996 Heun D26/43

D. 371,856 7/1996 Carbone D26/43
D. 373,646 9/1996 Szymanski et al. D26/43

Primary Examiner—**Marcus A. Jackson**
Attorney, Agent, or Firm—**Kerry H. Owens**

[57] **CLAIM**

The ornamental design for a flexible flashlight, as shown and described.

DESCRIPTION

FIG. 1 is a front perspective view of a flexible flashlight showing my new design;
FIG. 2 is a right side perspective view thereof;
FIG. 3 is a right side elevational view thereof, with the flexible light portion shown in a closed condition;
FIG. 4 is a left side elevational view thereof;
FIG. 5 is an exploded bottom plan view thereof;
FIG. 6 is a rear elevational view thereof;
FIG. 7 is a front elevational view thereof; and,
FIG. 8 is a front perspective view thereof, with the neck portion shown in an alternate position.

1 Claim, 6 Drawing Sheets

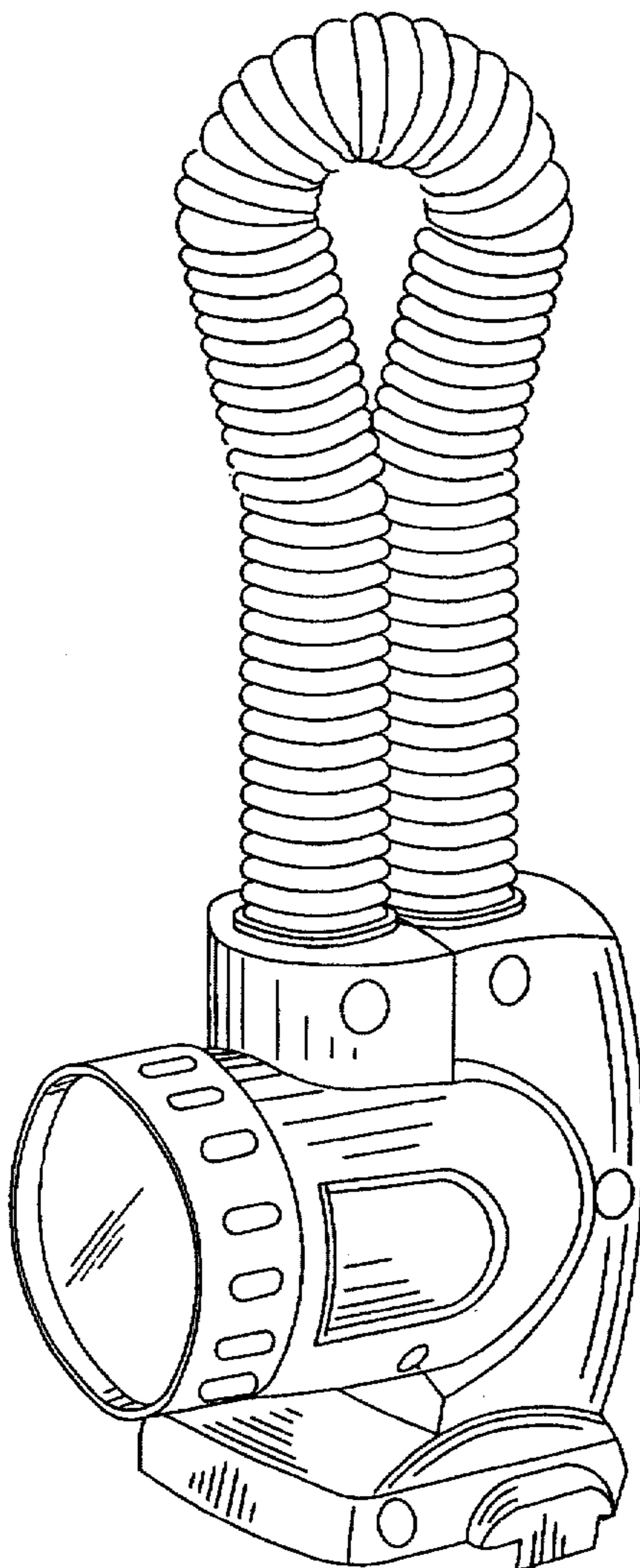


FIG. 1

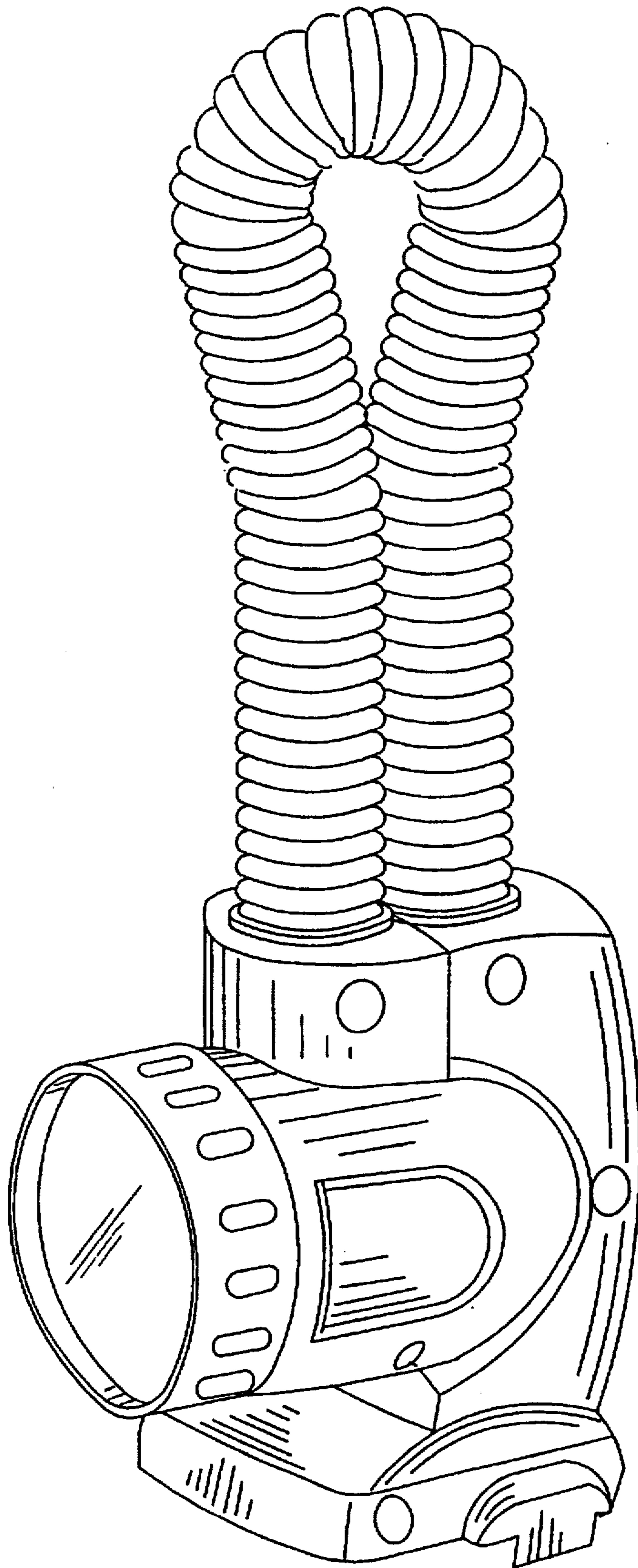


FIG. 2

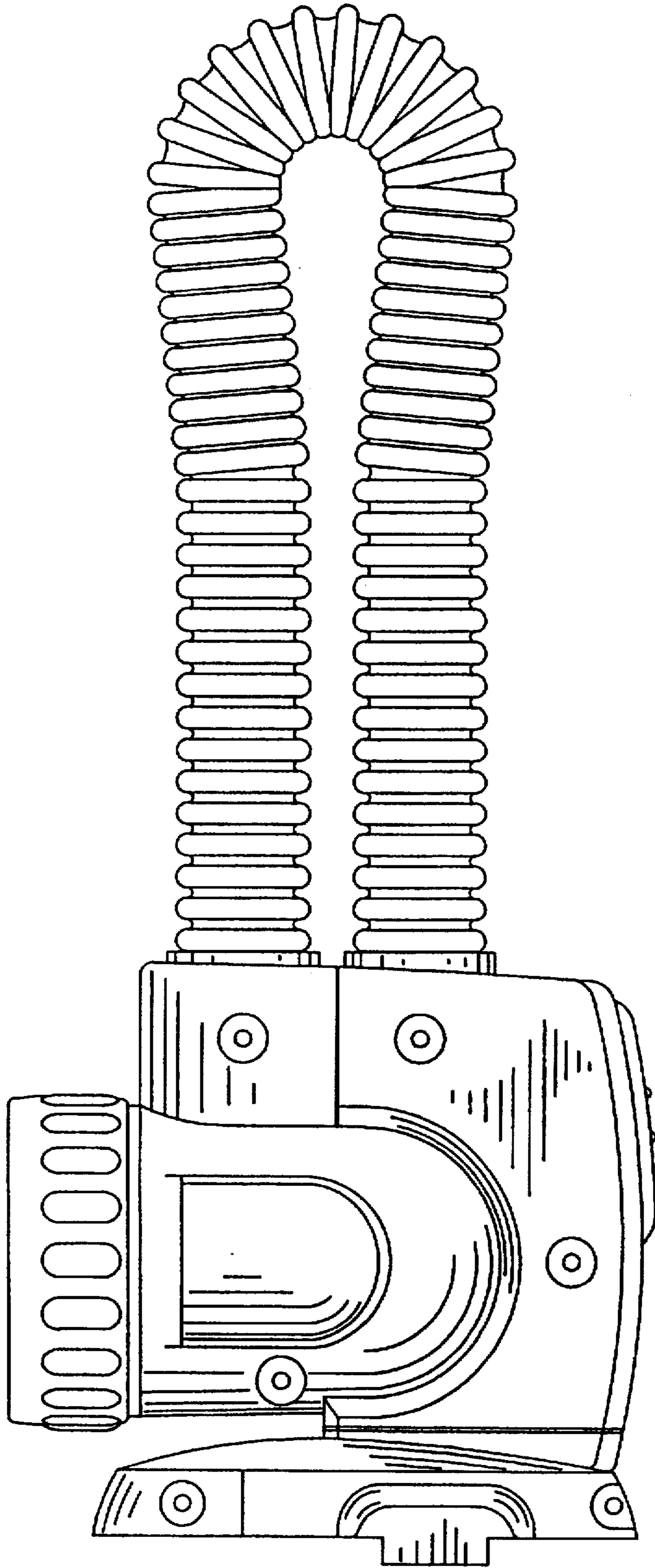


FIG. 3

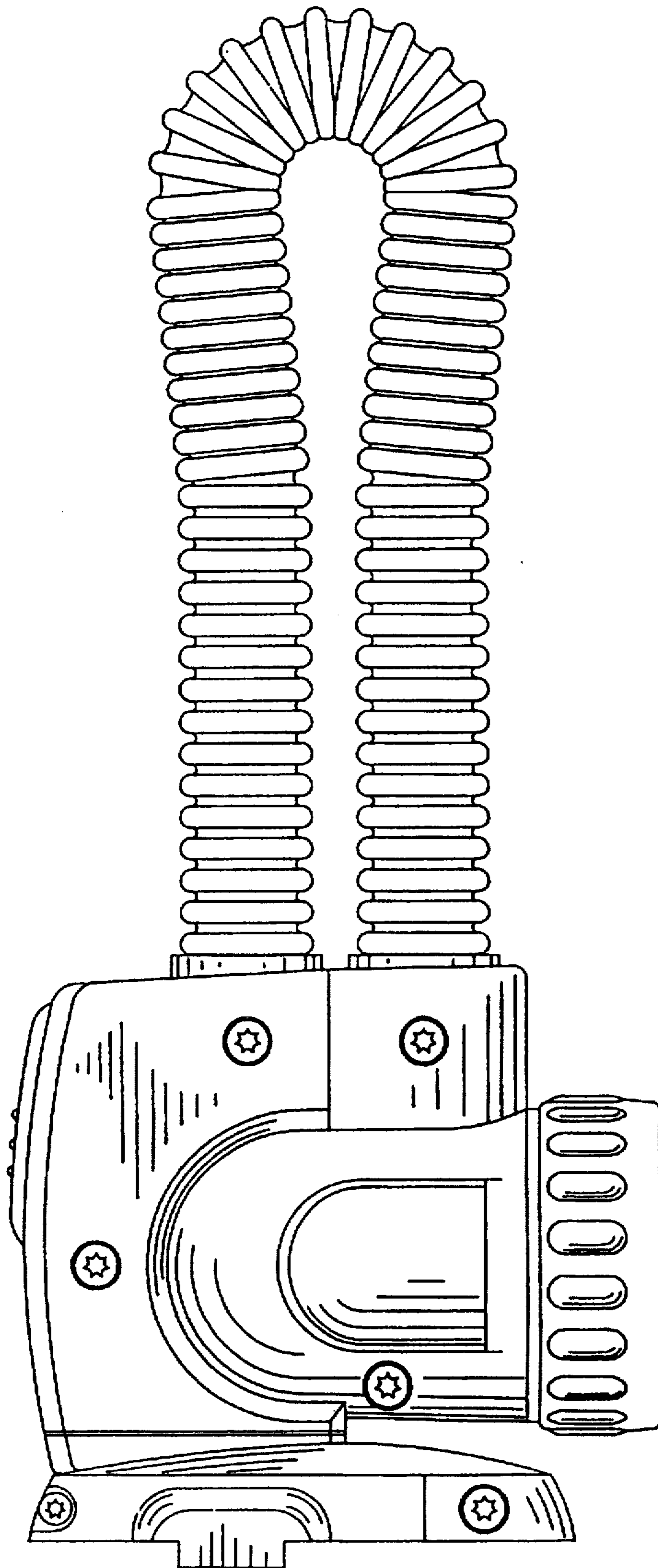


FIG. 4

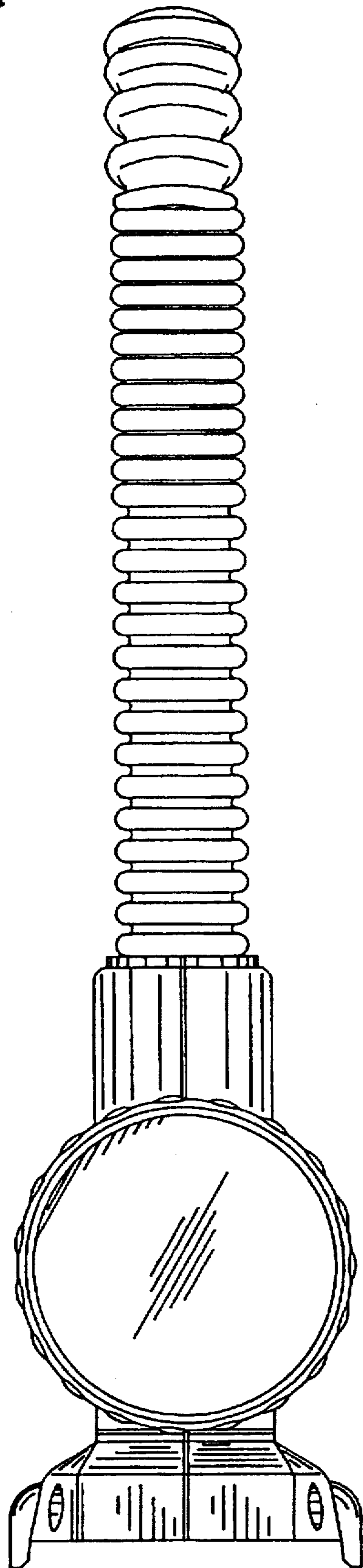


FIG. 5

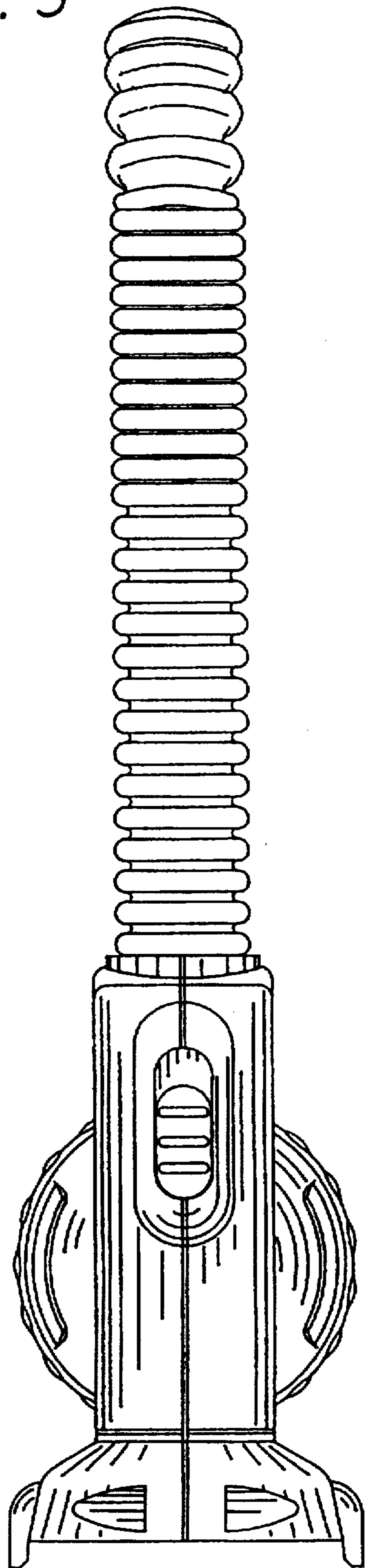


FIG. 6

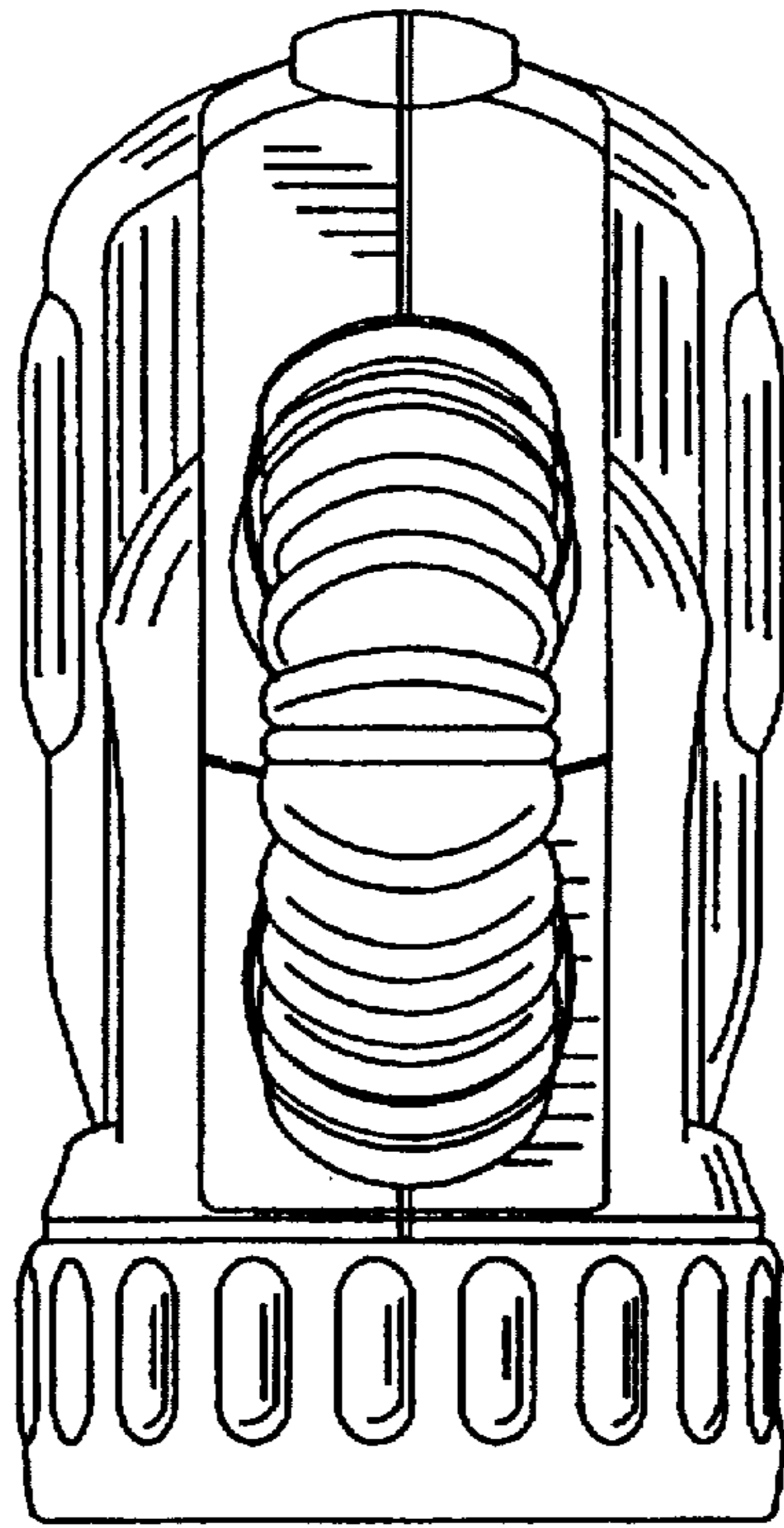


FIG. 7

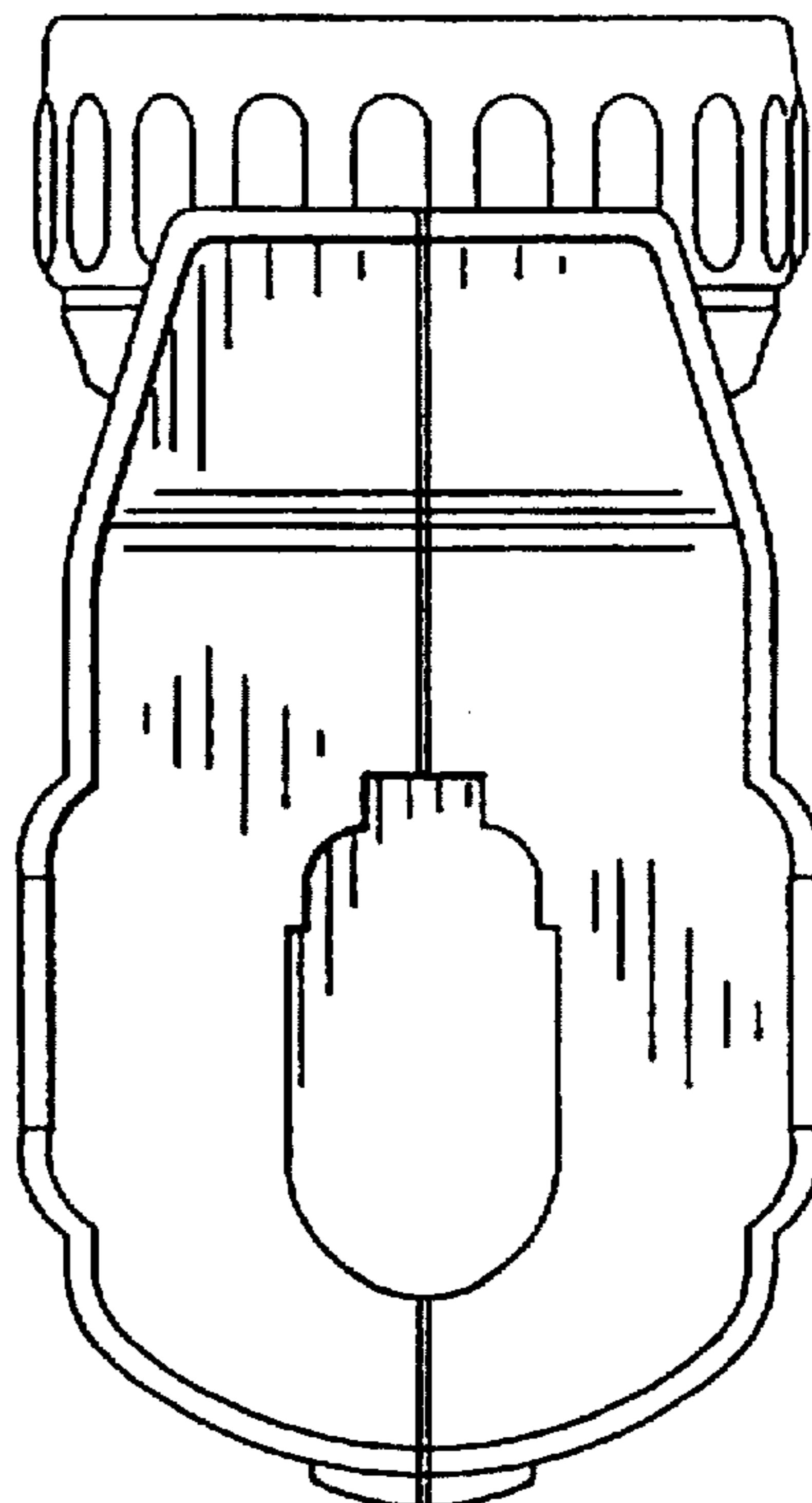


FIG. 8

