



US00D408563S

United States Patent [19]
Hart

[11] **Patent Number: Des. 408,563**

[45] **Date of Patent: **Apr. 20, 1999**

[54] **WINDOW OR DOOR FRAME COMPONENT**

D. 378,429 3/1997 Leonelli D25/124

[75] **Inventor: Keith Hart, Newmarket, Canada**

Primary Examiner—Doris Clark

[73] **Assignees: Majestic Plastics Ltd.; Joyce Manufacturing Company Inc., both of Weston, Canada**

[57] **CLAIM**

[**] **Term: 14 Years**

The ornamental design for a window or door frame component, as shown and described.

[21] **Appl. No.: 29/085,539**

DESCRIPTION

[22] **Filed: Mar. 25, 1998**

[51] **LOC (6) Cl. 25-01**

FIG. 1 is a perspective view of the window or door frame component; and,

[52] **U.S. Cl. D25/124**

FIG. 2 is an end view of the window or door frame component.

[58] **Field of Search D25/119-124, D25/60, 52; 49/504, 505, DIG. 2; 52/204.5, 204.56, 204.51, 204.1, 730.3**

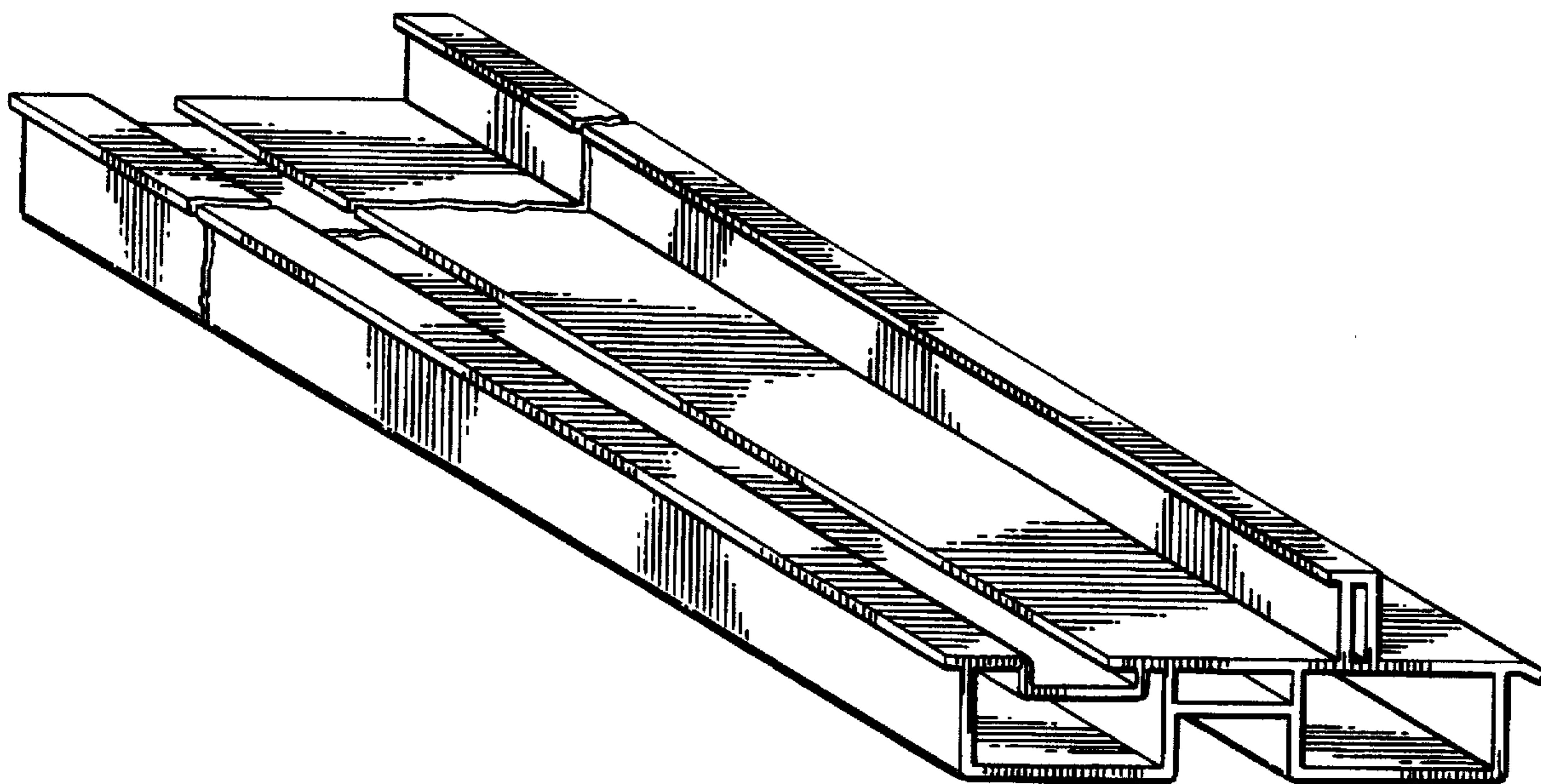
The window or door frame component of FIG. 1 is broken away to indicate indefinite length.

[56] **References Cited**

U.S. PATENT DOCUMENTS

D. 308,105 5/1990 Hardy D25/124

1 Claim, 1 Drawing Sheet



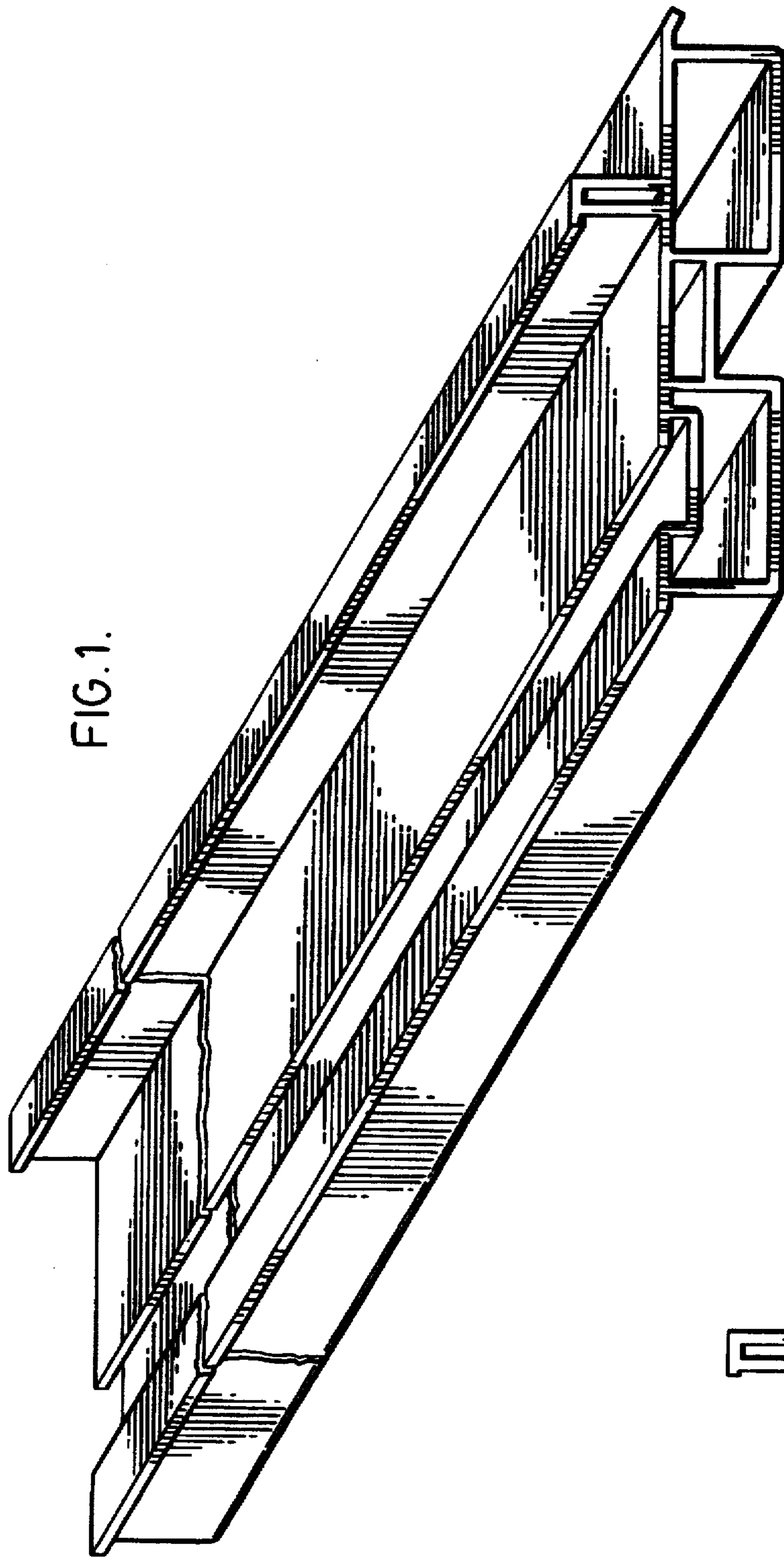


FIG. 1.

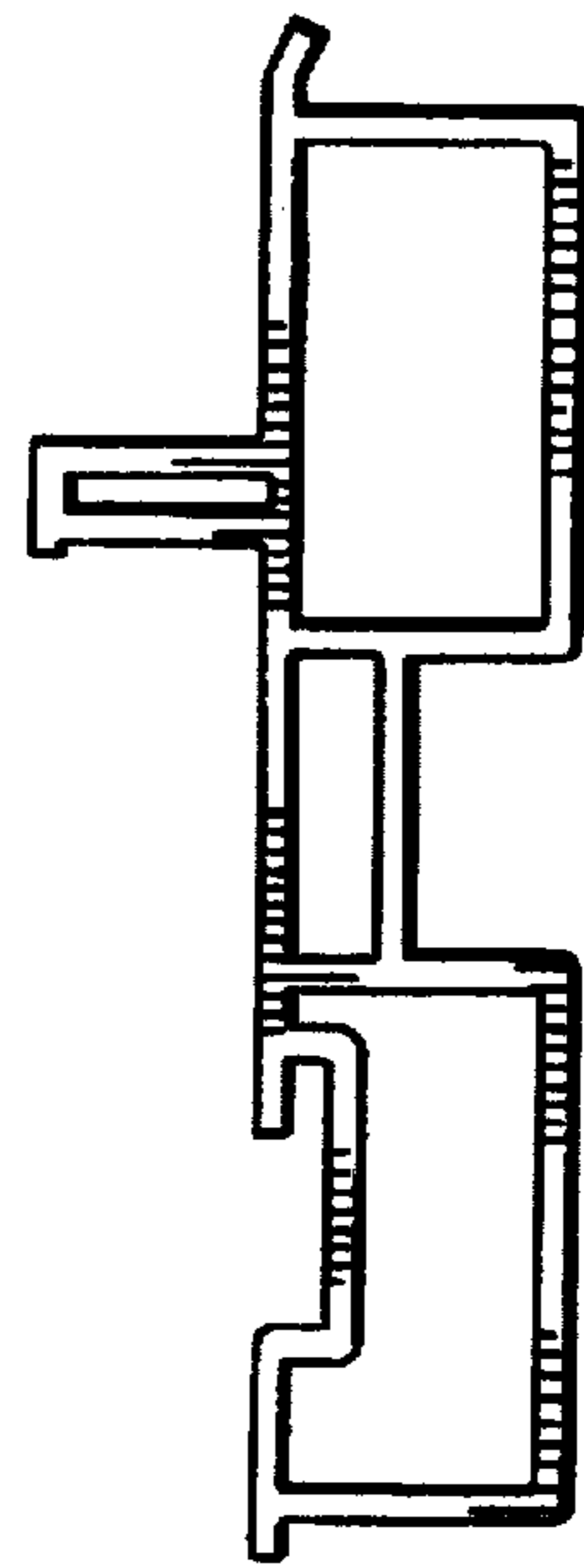


FIG. 2.