



US00D408560S

United States Patent [19]

Bruder

[11] Patent Number: **Des. 408,560**

[45] Date of Patent: ****Apr. 20, 1999**

[54] **PILLAR**

[75] Inventor: **Hans Bruder, Aichtal/Aich, Germany**

[73] Assignee: **Octanorm-Vertriebs-GmbH fur Bauelemente, Filderstadt, Germany**

[**] Term: **14 Years**

[21] Appl. No.: **29/081,448**

[22] Filed: **Jan. 2, 1998**

[30] **Foreign Application Priority Data**

Jul. 2, 1997 [DD] German Dem. Rep. M97060275

[51] LOC (6) CL **25-01**

[52] U.S. Cl. **D25/122; D25/126**

[58] Field of Search **52/245.17, 301, 52/730.1, 730.4, 737.1, 740.3, 740.4; D25/126, 122, 124**

[56] **References Cited**

U.S. PATENT DOCUMENTS

D. 344,351	2/1994	Stagl	D25/122
D. 382,736	8/1997	Kopish	D25/126
1,963,057	6/1934	Wilcox	52/745.17
5,379,566	1/1995	Schworer	D25/126

Primary Examiner—Doris Clark

Attorney, Agent, or Firm—Evenson, McKeown, Edwards & Lenahan P.L.L.C.

[57] **CLAIM**

The ornamental design for a pillar, as shown and described.

DESCRIPTION

FIG. 1 is an end view of a first embodiment of a pillar according to my design;

FIG. 2 is a fragmentary perspective view from the left side and end of a first embodiment of a pillar according to my design;

FIG. 3 is an end view of a second embodiment of a pillar according to my design;

FIG. 4 is a fragmentary perspective view from the left side and end of a second embodiment of a pillar according to my design;

FIG. 5 is an end view of a third embodiment of a pillar according to my design;

FIG. 6 is a fragmentary perspective view from the left side and end of a third embodiment of a pillar according to my design;

FIG. 7 is an end view of a fourth embodiment of a pillar according to my design;

FIG. 8 is a fragmentary perspective view from the left side and end of a fourth embodiment of a pillar according to my design;

FIG. 9 is an end view of a fifth embodiment of a pillar according to my design;

FIG. 10 is a fragmentary perspective view from the left side and end of a fifth embodiment of a pillar according to my design;

FIG. 11 is an end view of a sixth embodiment of a pillar according to my design;

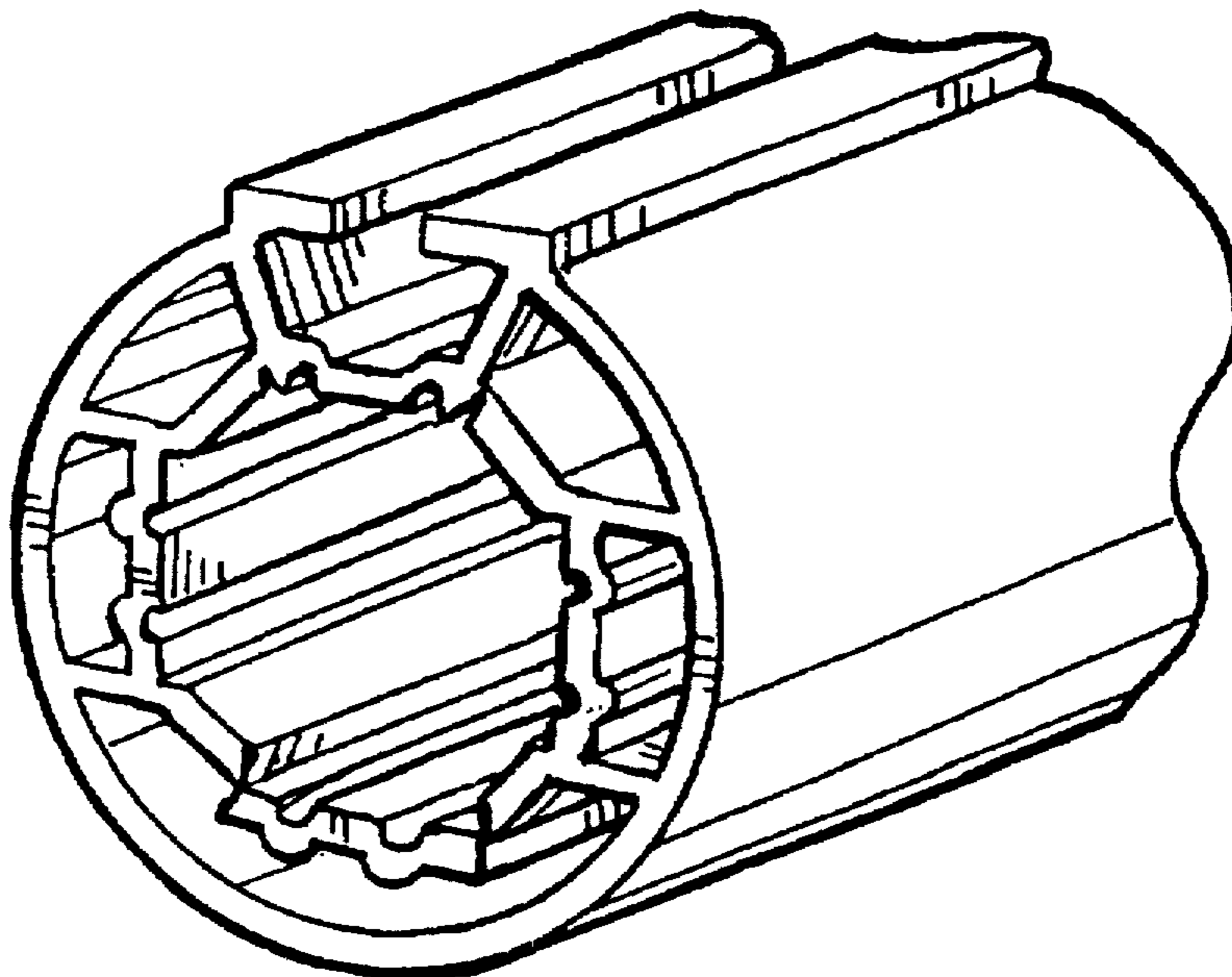
FIG. 12 is a fragmentary perspective view from the left side and end of a sixth embodiment of a pillar according to my design;

FIG. 13 is an end view of a seventh embodiment of a pillar according to my design; and,

FIG. 14 is a fragmentary perspective view from the left side and end of a seventh embodiment of a pillar according to my design.

The pillar is broken on the end to indicate indeterminate length.

1 Claim, 3 Drawing Sheets



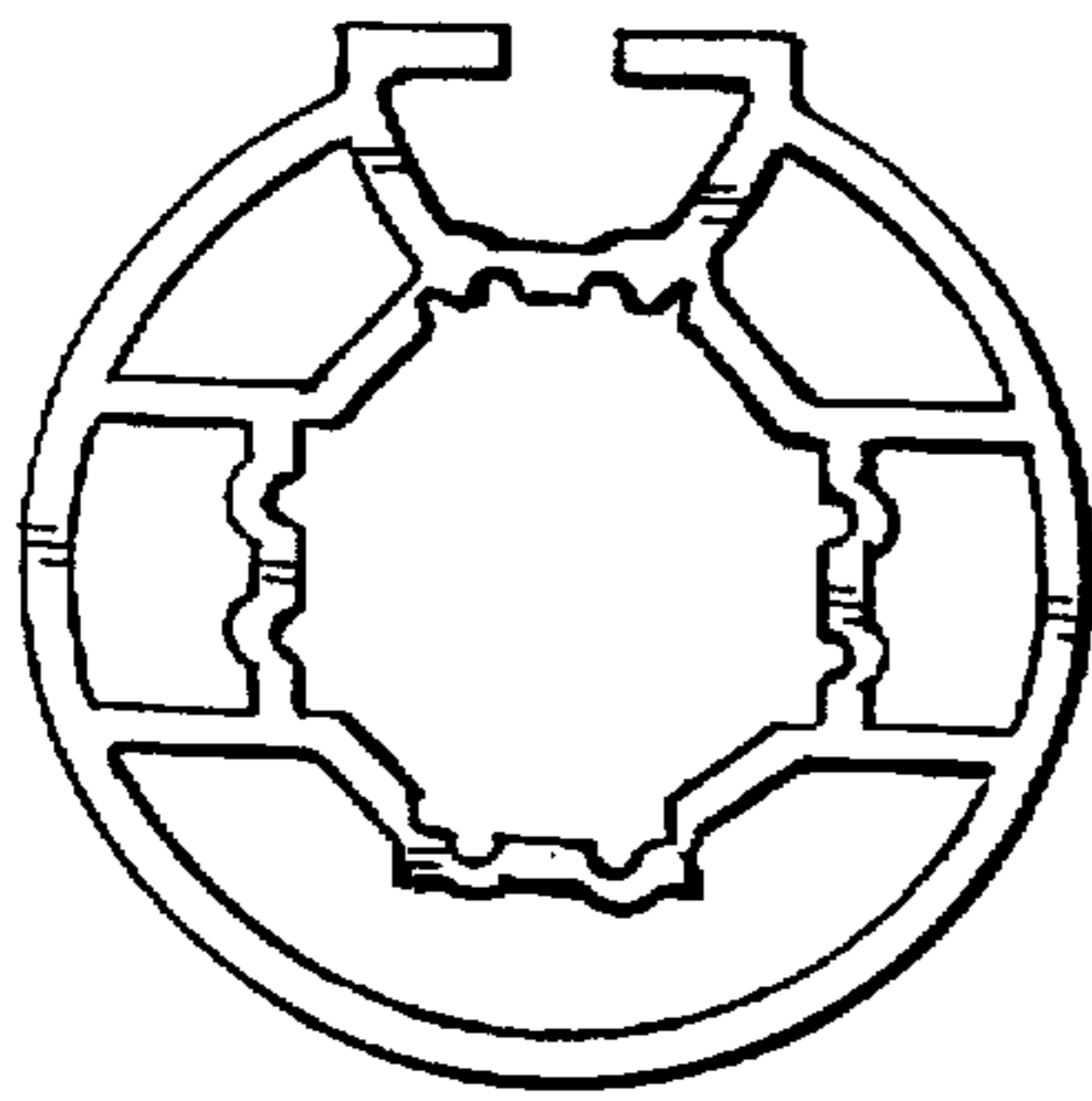


FIG. 1

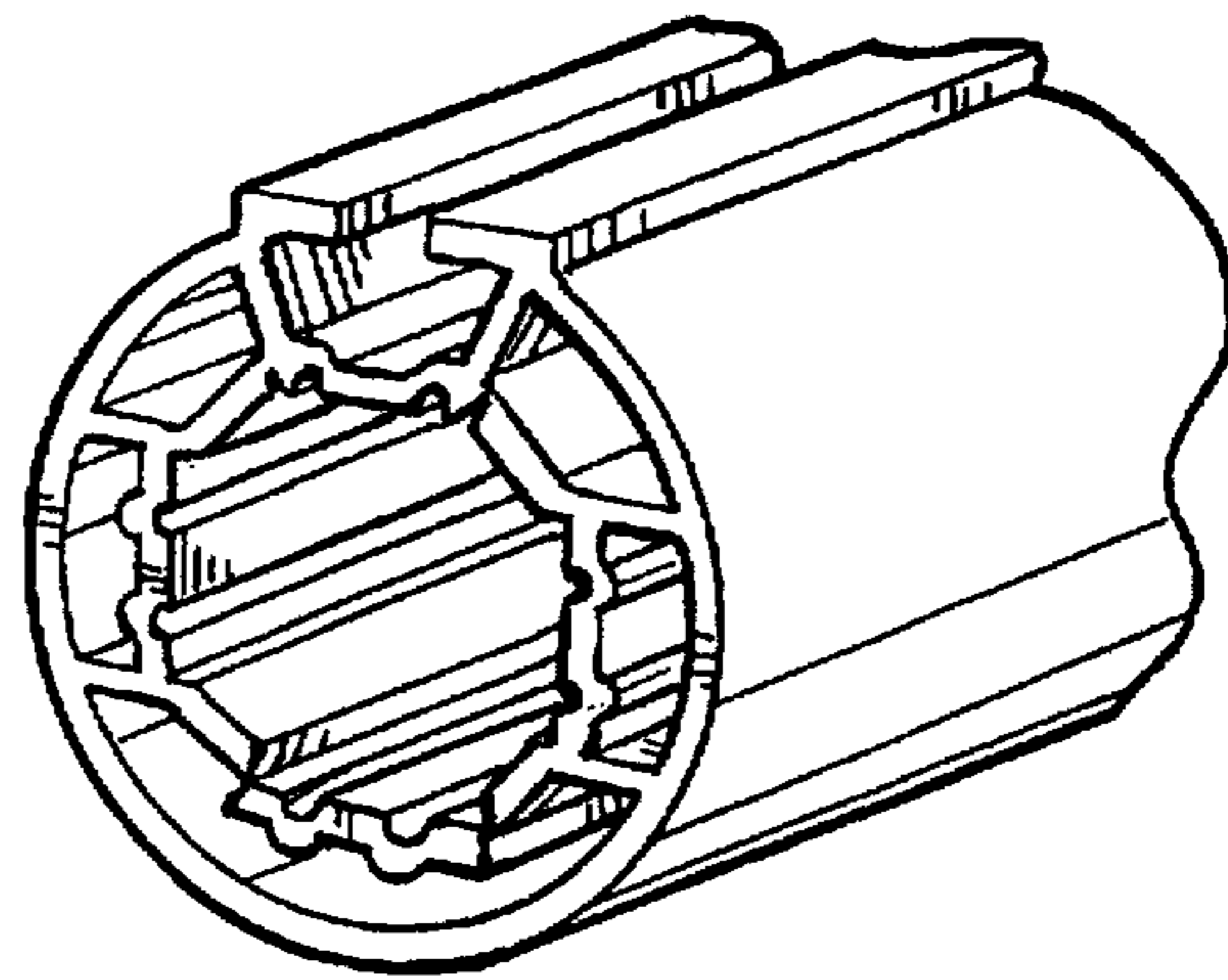


FIG. 2

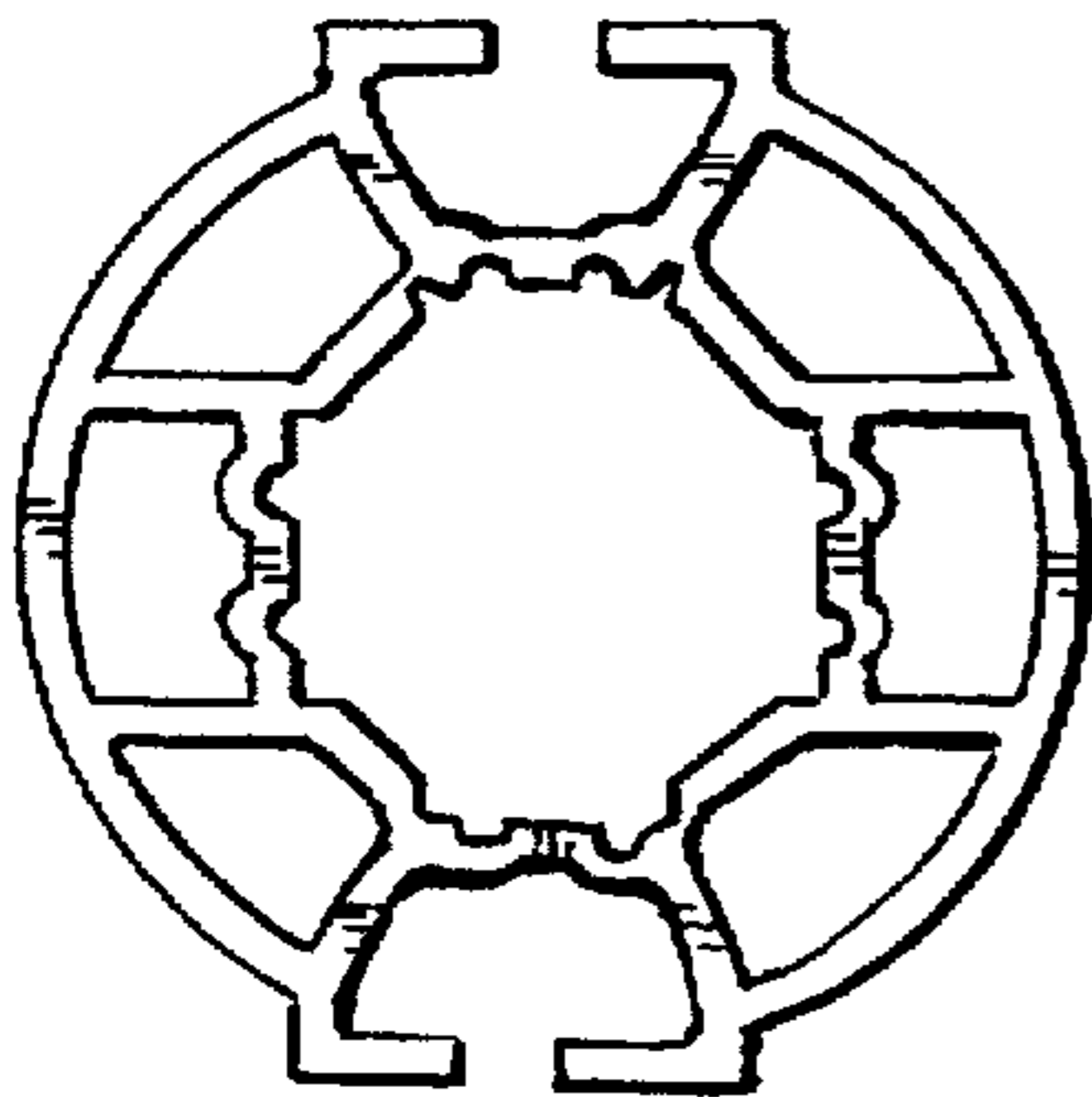


FIG. 3

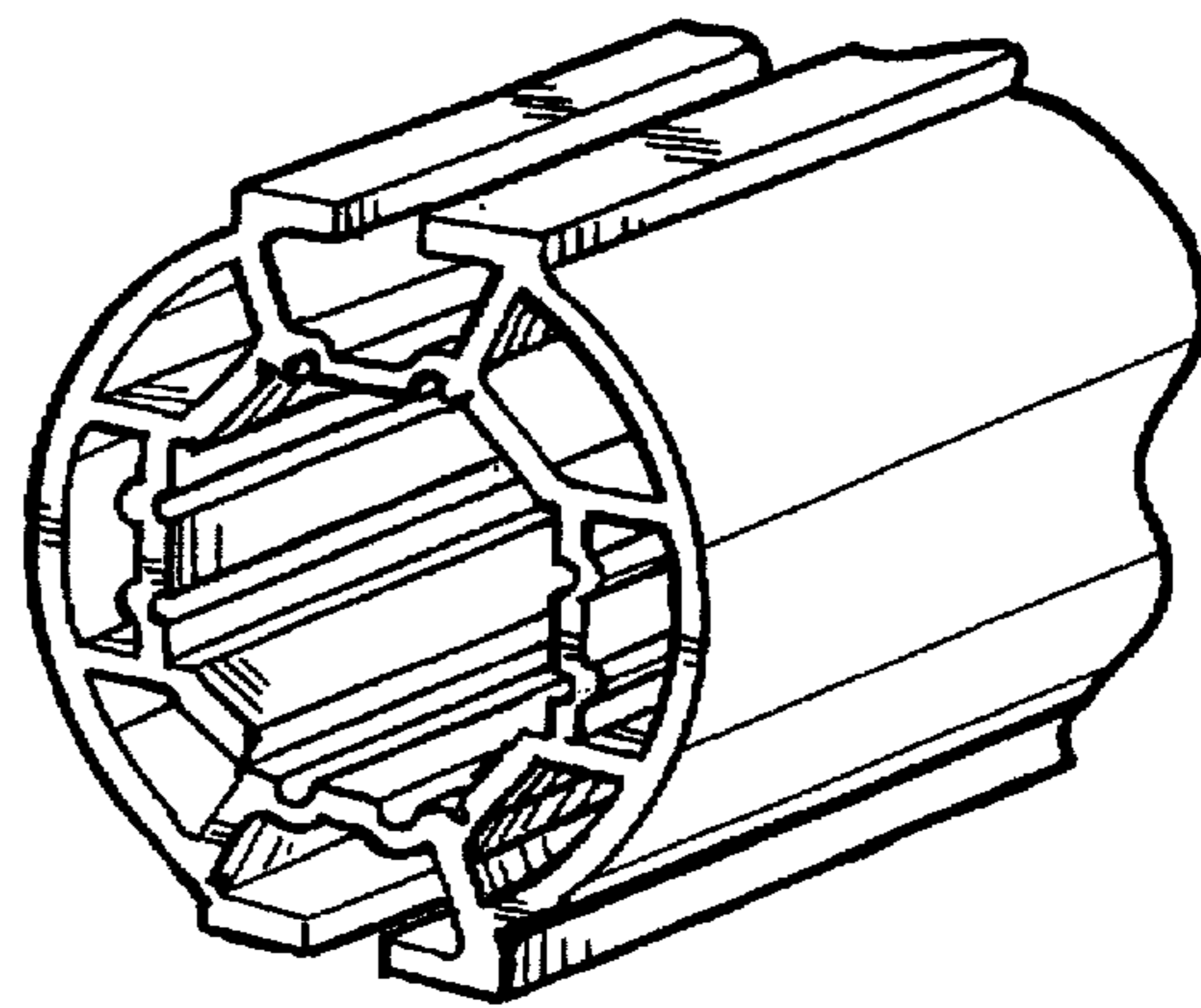


FIG. 4

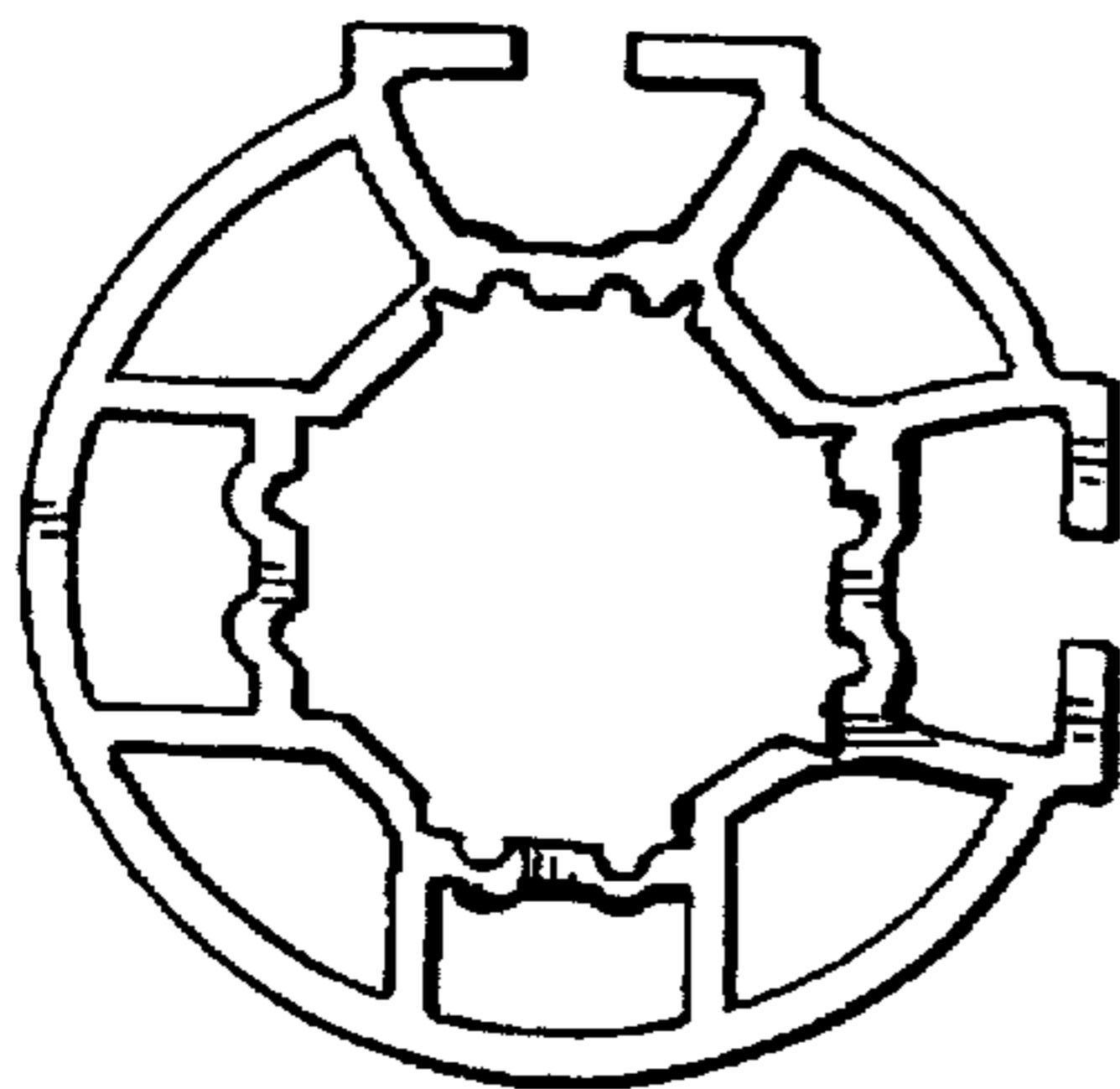


FIG. 5

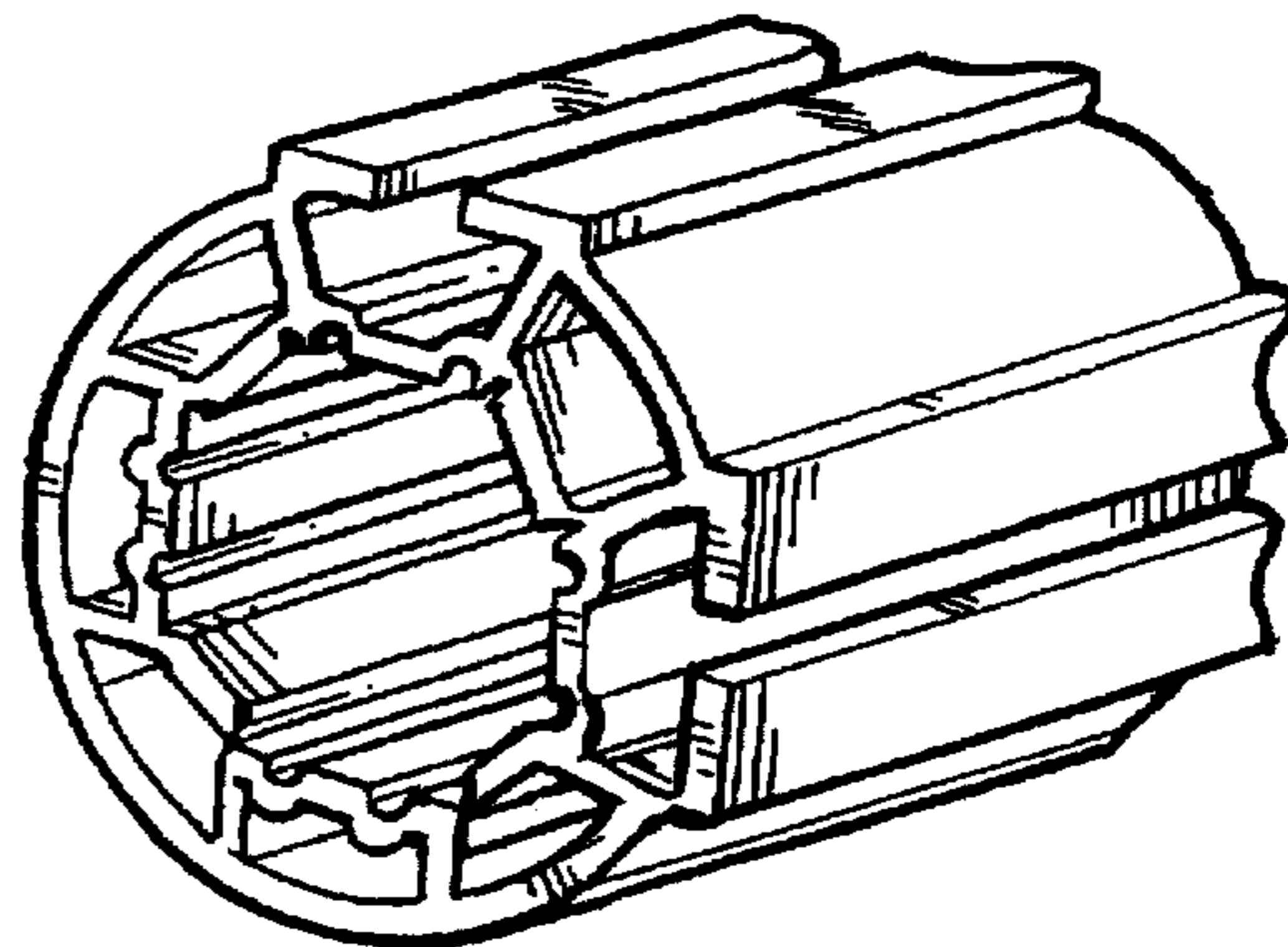


FIG. 6

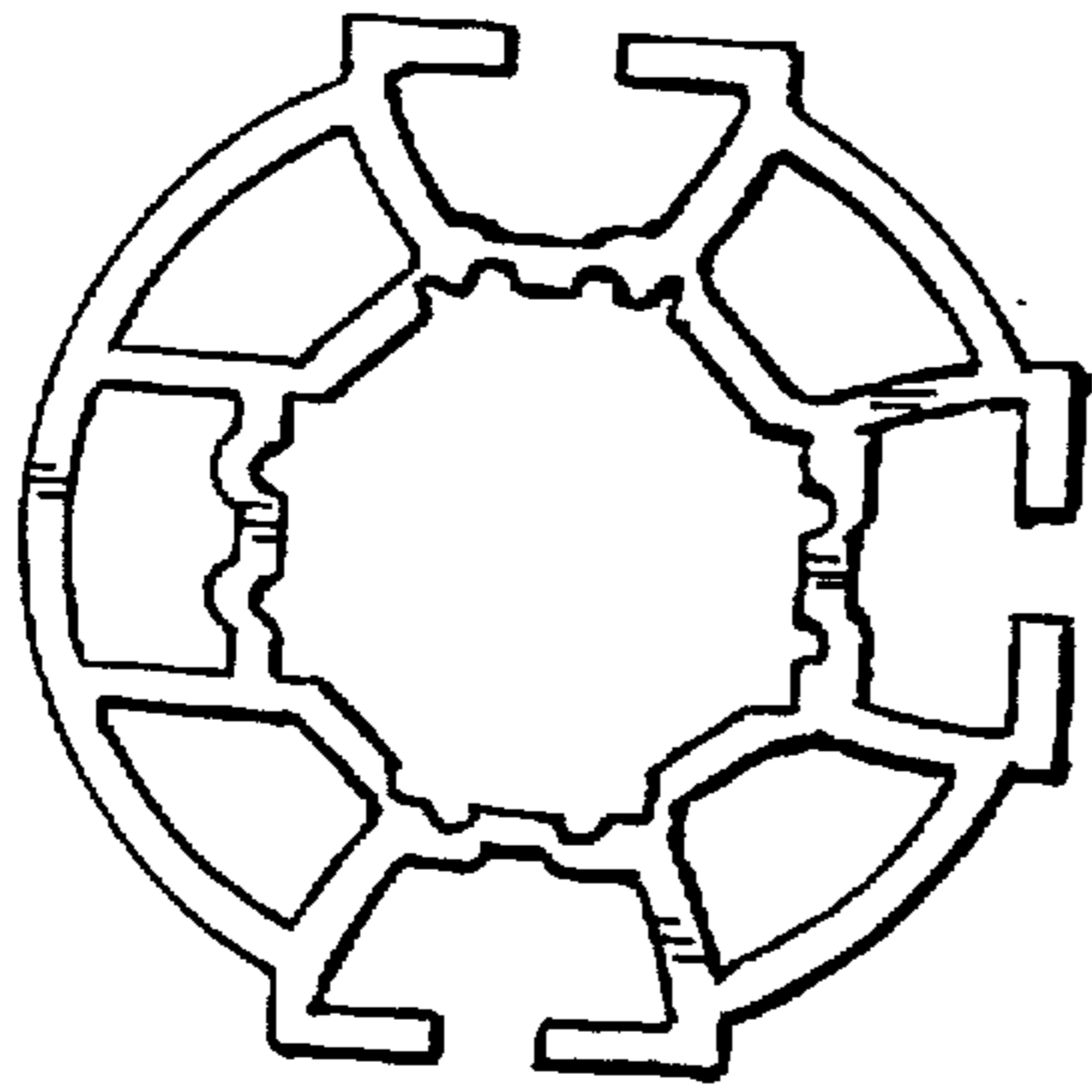


FIG. 7

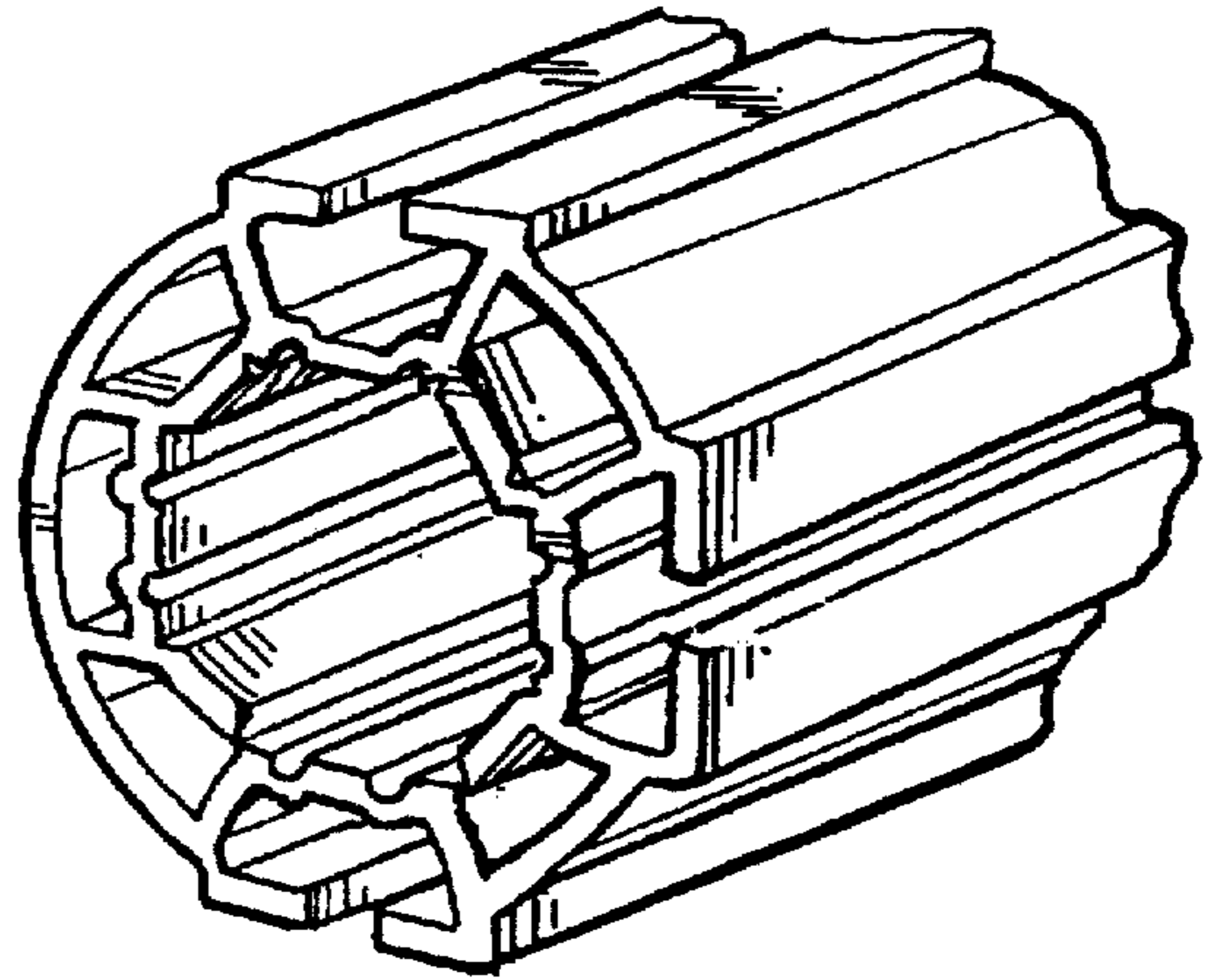


FIG. 8

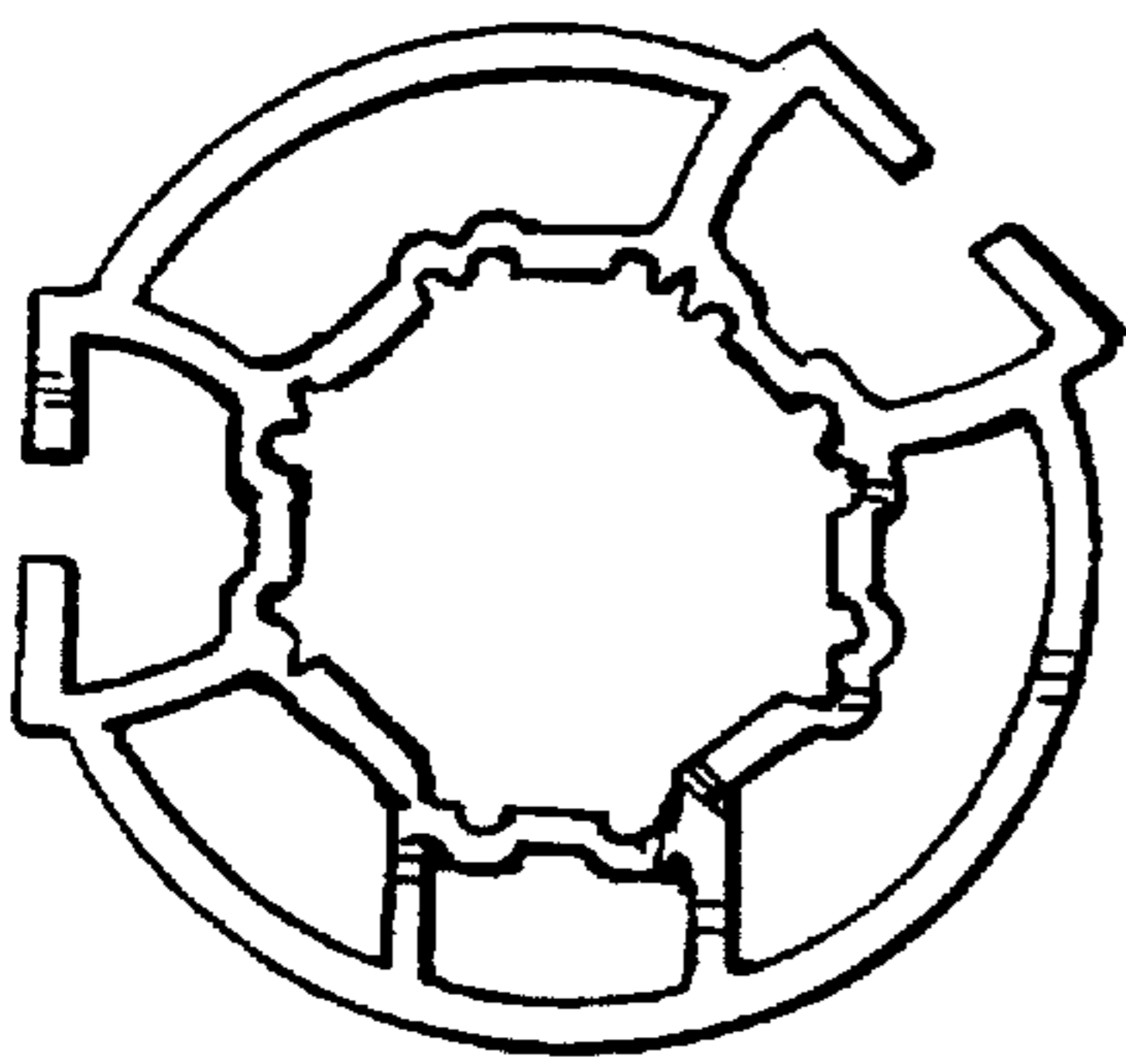


FIG. 9

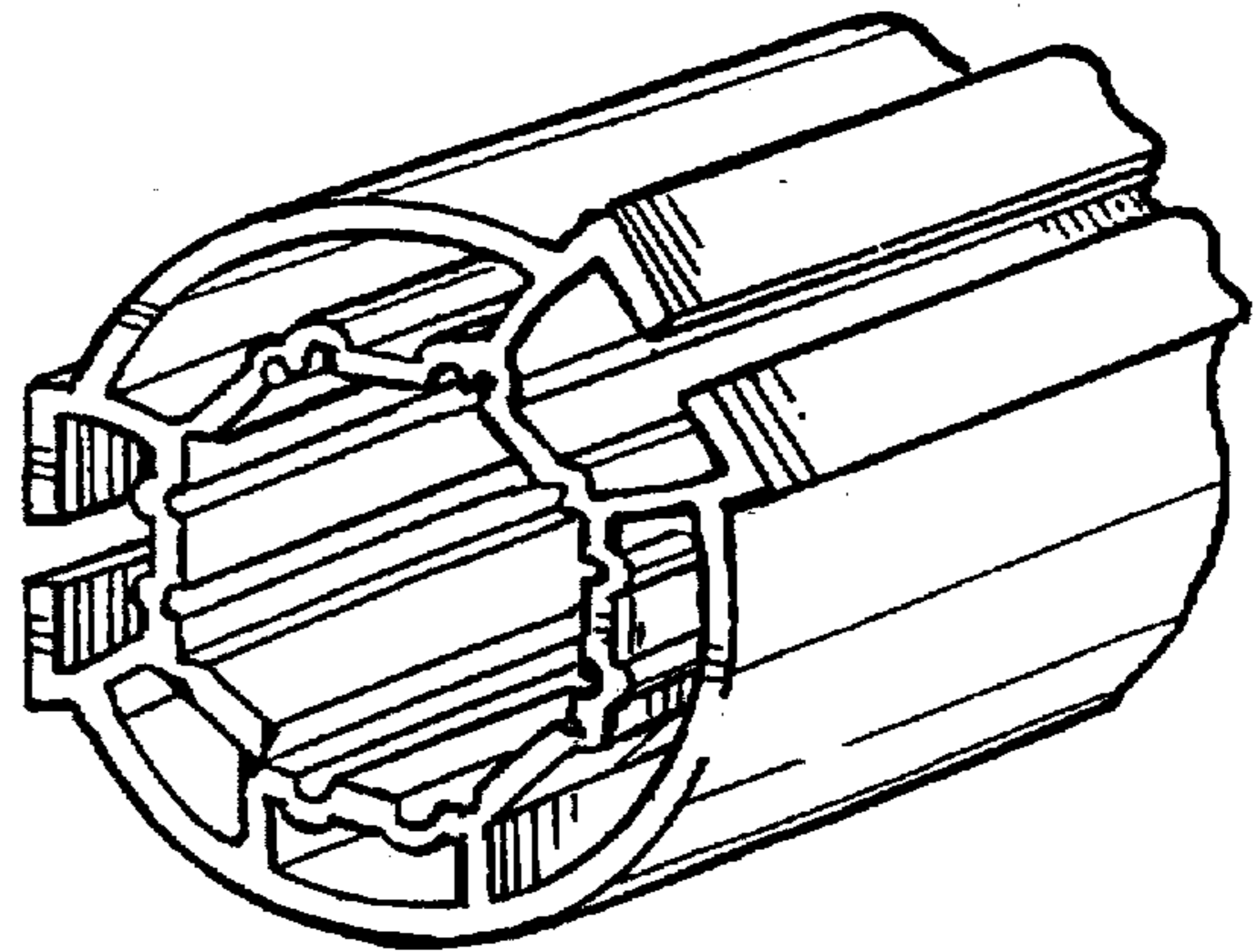


FIG. 10

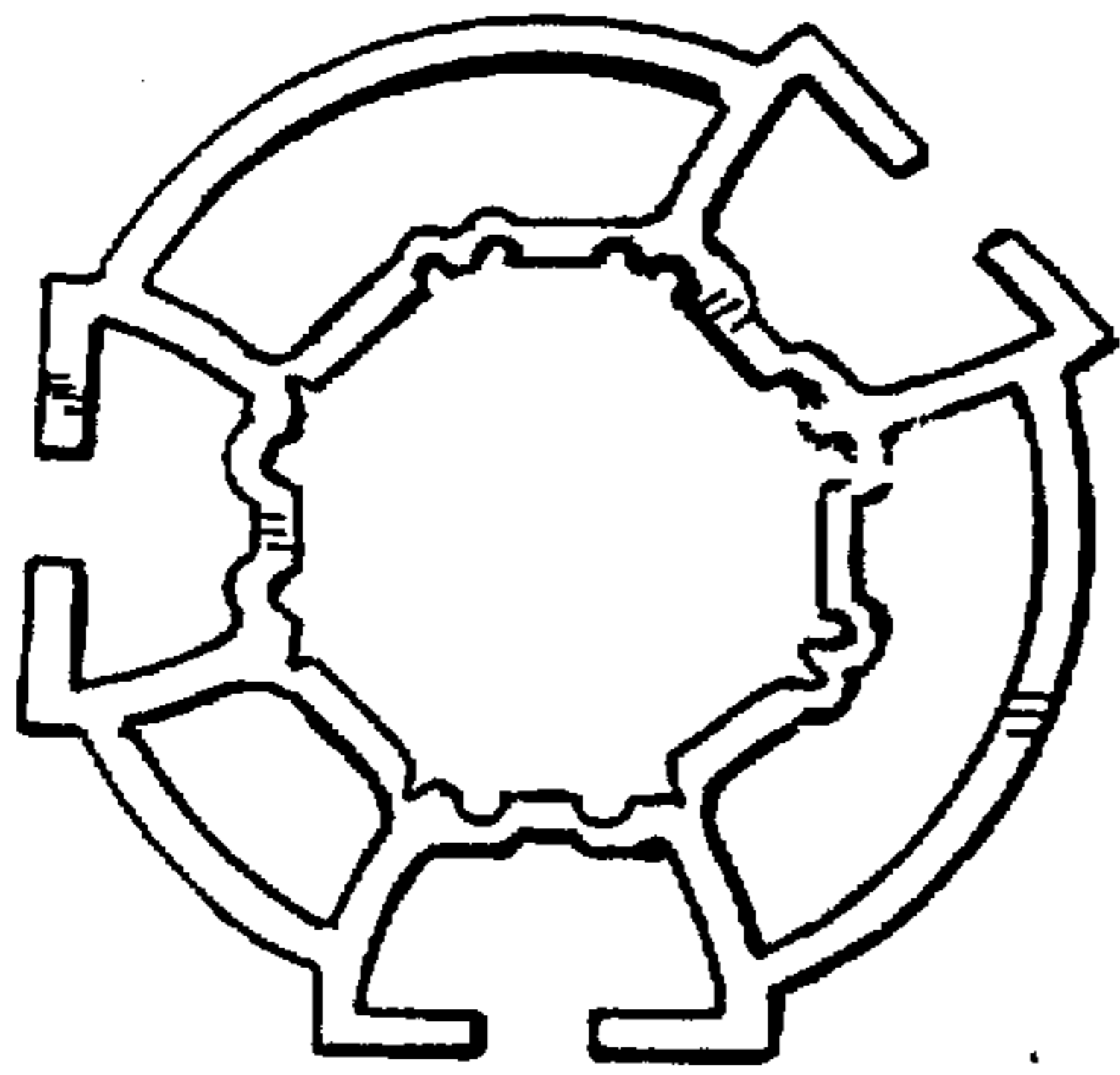


FIG. 11

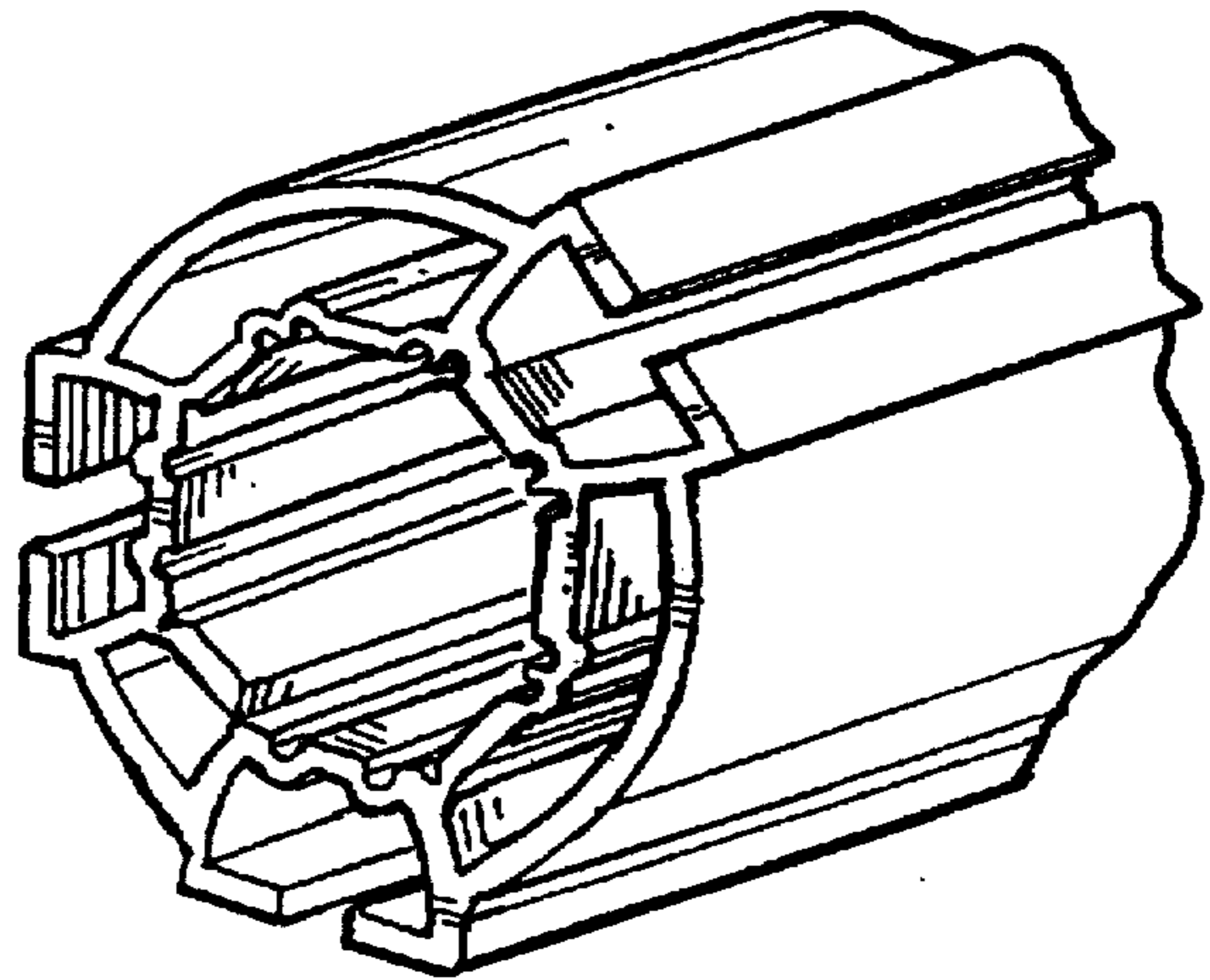


FIG. 12

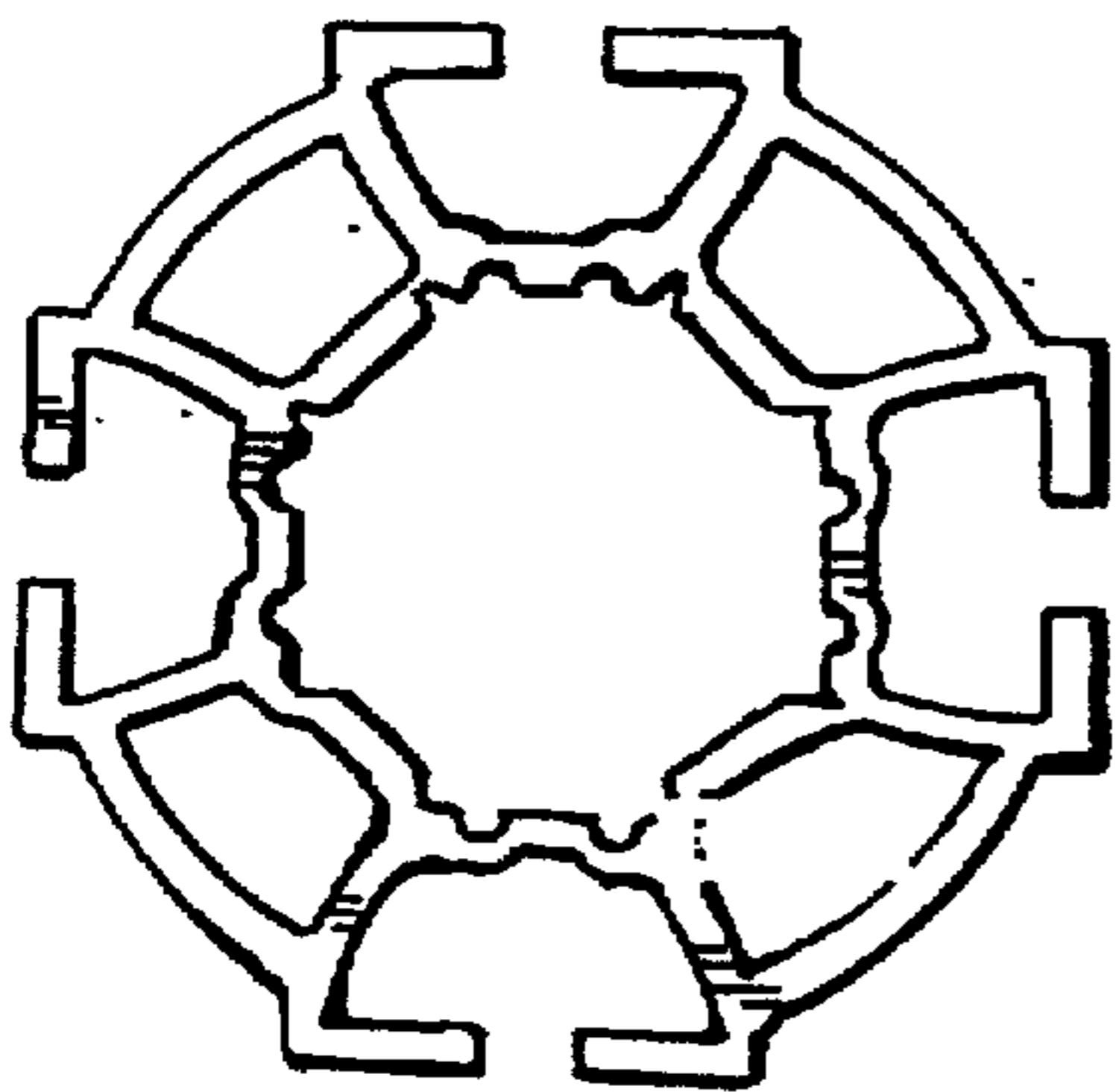


FIG. 13

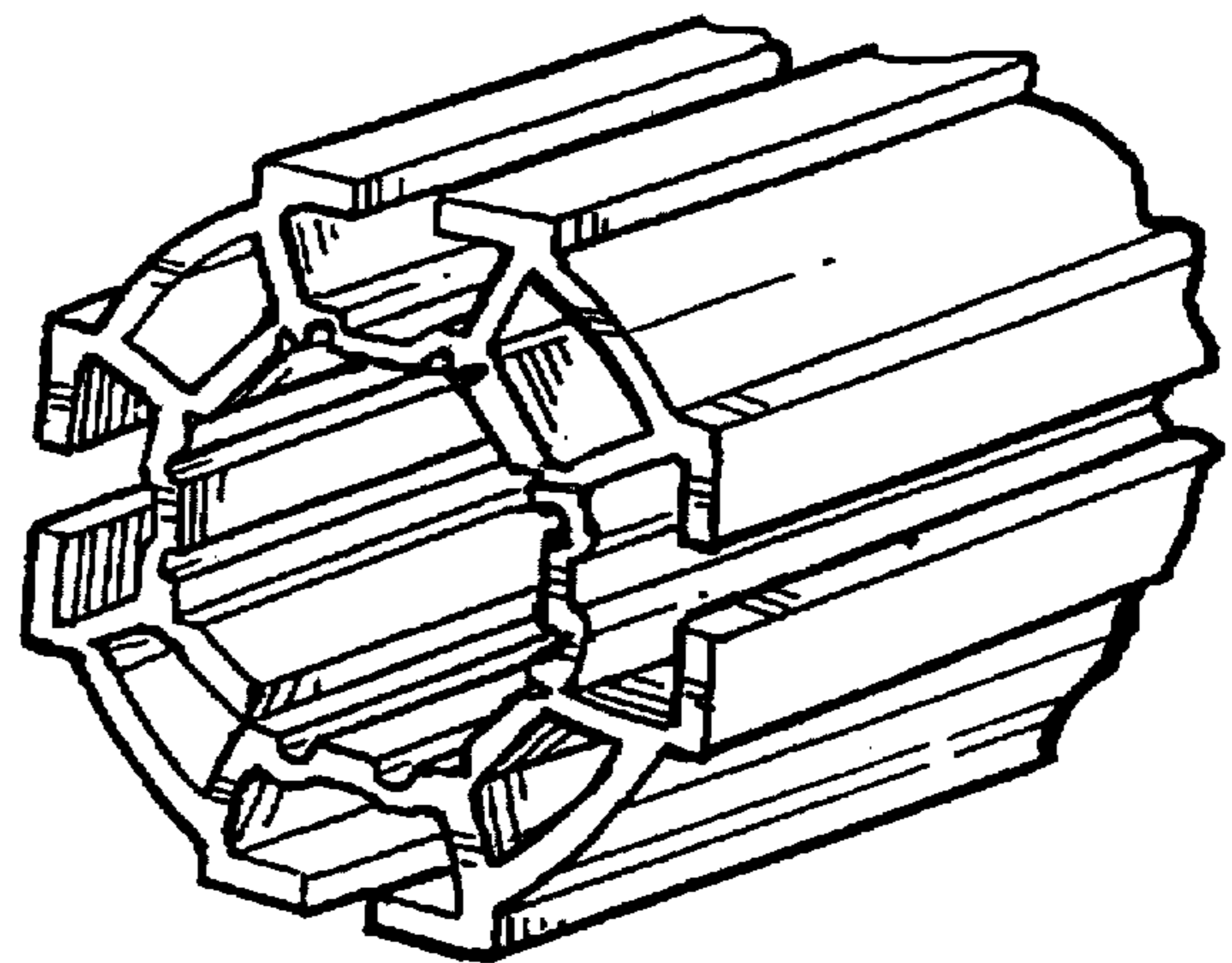


FIG. 14