



US00D408559S

**United States Patent** [19]  
**Rekret**

[11] **Patent Number: Des. 408,559**  
[45] **Date of Patent: \*\*Apr. 20, 1999**

[54] **GARAGE DOOR SEAL EXTRUSION**

4,660,323 4/1987 Kanies ..... 49/475.1  
5,465,532 11/1995 Varin ..... 49/493.1

[75] **Inventor: Andrew Rekret, Orillia, Canada**

[73] **Assignee: Proplas Ltd., Orillia, Canada**

*Primary Examiner*—Doris Clark

[\*\*] **Term: 14 Years**

[57] **CLAIM**

[21] **Appl. No.: 29/078,767**

The ornamental design for a garage door seal extrusion, as shown and described.

[22] **Filed: Nov. 3, 1997**

[30] **Foreign Application Priority Data**

**DESCRIPTION**

Sep. 2, 1997 [CA] Canada ..... 1997-2287

[51] **LOC (6) CL. .... 25-01**

[52] **U.S. Cl. .... D25/119**

[58] **Field of Search .... D25/199, 119;  
49/472, 473, 475.1, 303, 484-486**

FIG. 1 is a perspective view of the garage door seal extrusion; and,

FIG. 2 is an end view of the garage door seal extrusion.

The garage door seal extrusion of FIG. 1 is broken away to indicate indefinite length.

[56] **References Cited**

**U.S. PATENT DOCUMENTS**

D. 330,772 11/1992 Nelson ..... D25/119

**1 Claim, 1 Drawing Sheet**

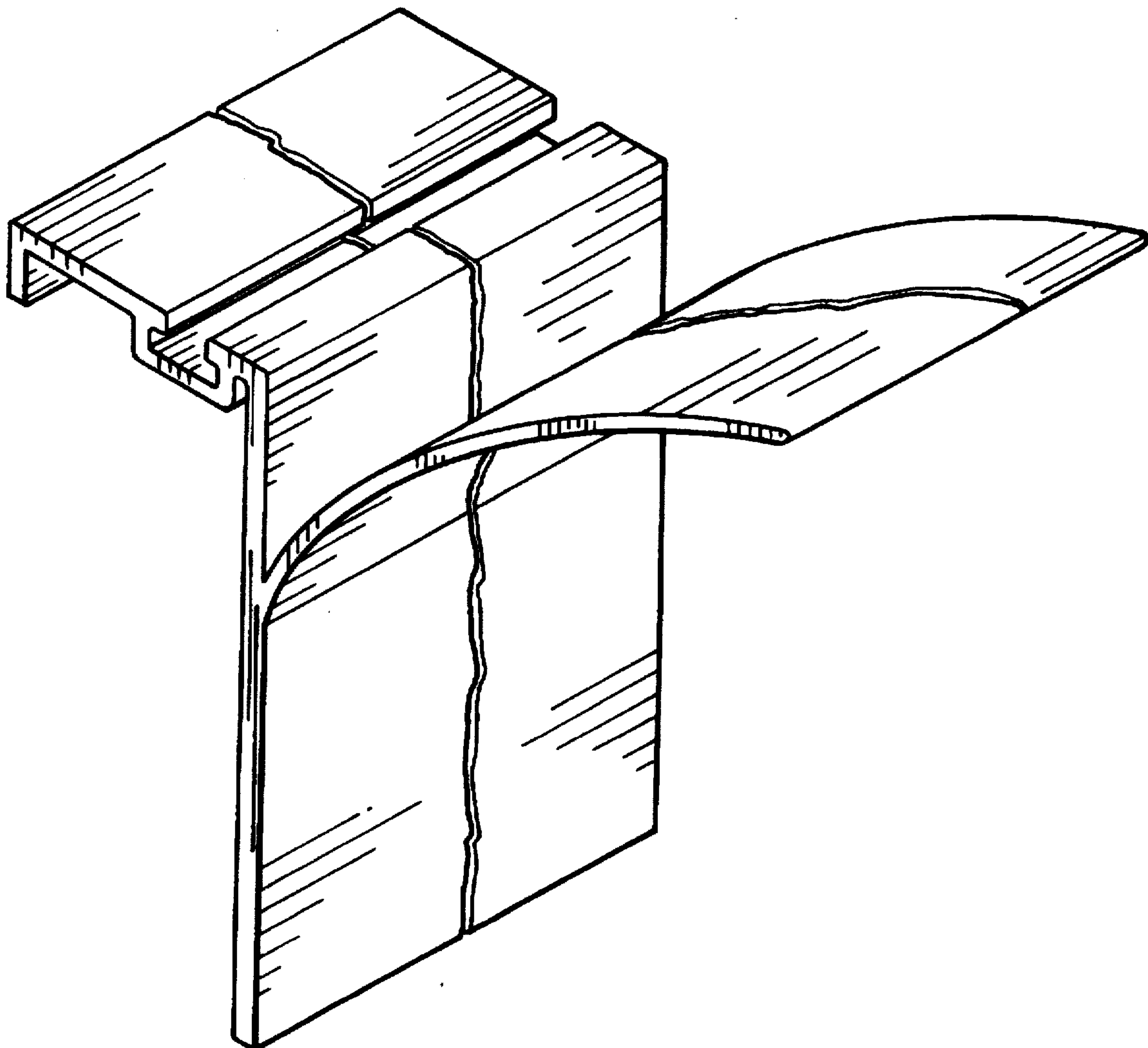


FIG.1.

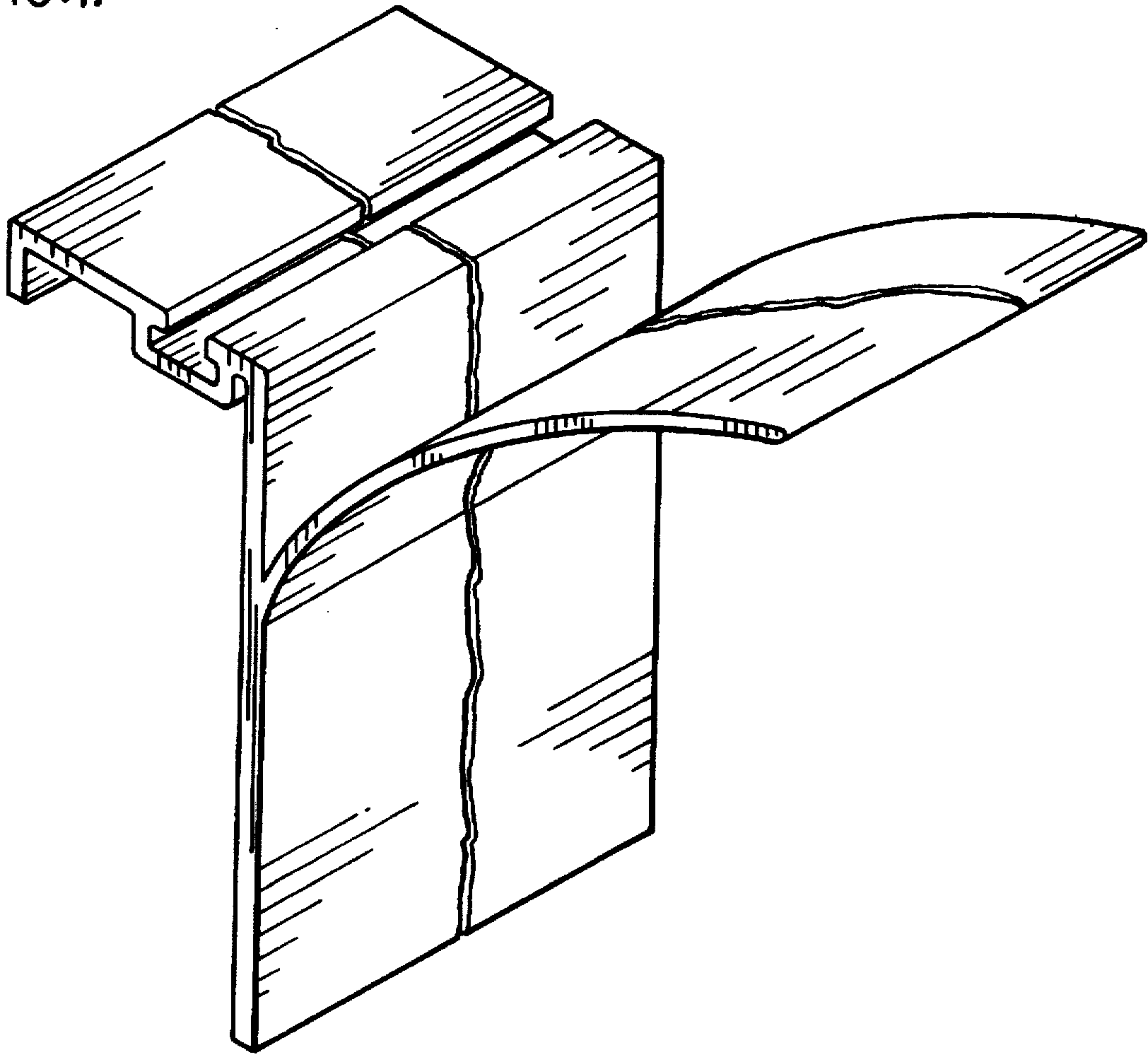


FIG.2.

