



US00D408558S

United States Patent [19] Levy

[11] Patent Number: **Des. 408,558**
[45] Date of Patent: ****Apr. 20, 1999**

[54] **CHANNEL MEMBER**

[75] Inventor: **Brian Levy, Waterloo, Australia**

[73] Assignee: **Australian Slatwall Industries Pty Ltd, Waterloo, Australia**

[**] Term: **14 Years**

[21] Appl. No.: **29/077,784**

[22] Filed: **Oct. 15, 1997**

[30] **Foreign Application Priority Data**

Apr. 16, 1997 [AU] Australia 1191/97

[51] LOC (6) CL **25-01**

[52] U.S. CL. **D25/119**

[58] Field of Search D8/377; 52/716.1;
D25/136, 119; 211/46, 94.5, 94, 162; 312/349,
350

[56] **References Cited**

U.S. PATENT DOCUMENTS

D. 306,080 2/1990 Whitney D25/119
D. 345,807 4/1994 Ingraham D25/119
4,010,591 3/1977 Gross 52/716.1

Primary Examiner—Doris Clark
Attorney, Agent, or Firm—Colin P. Abrahams

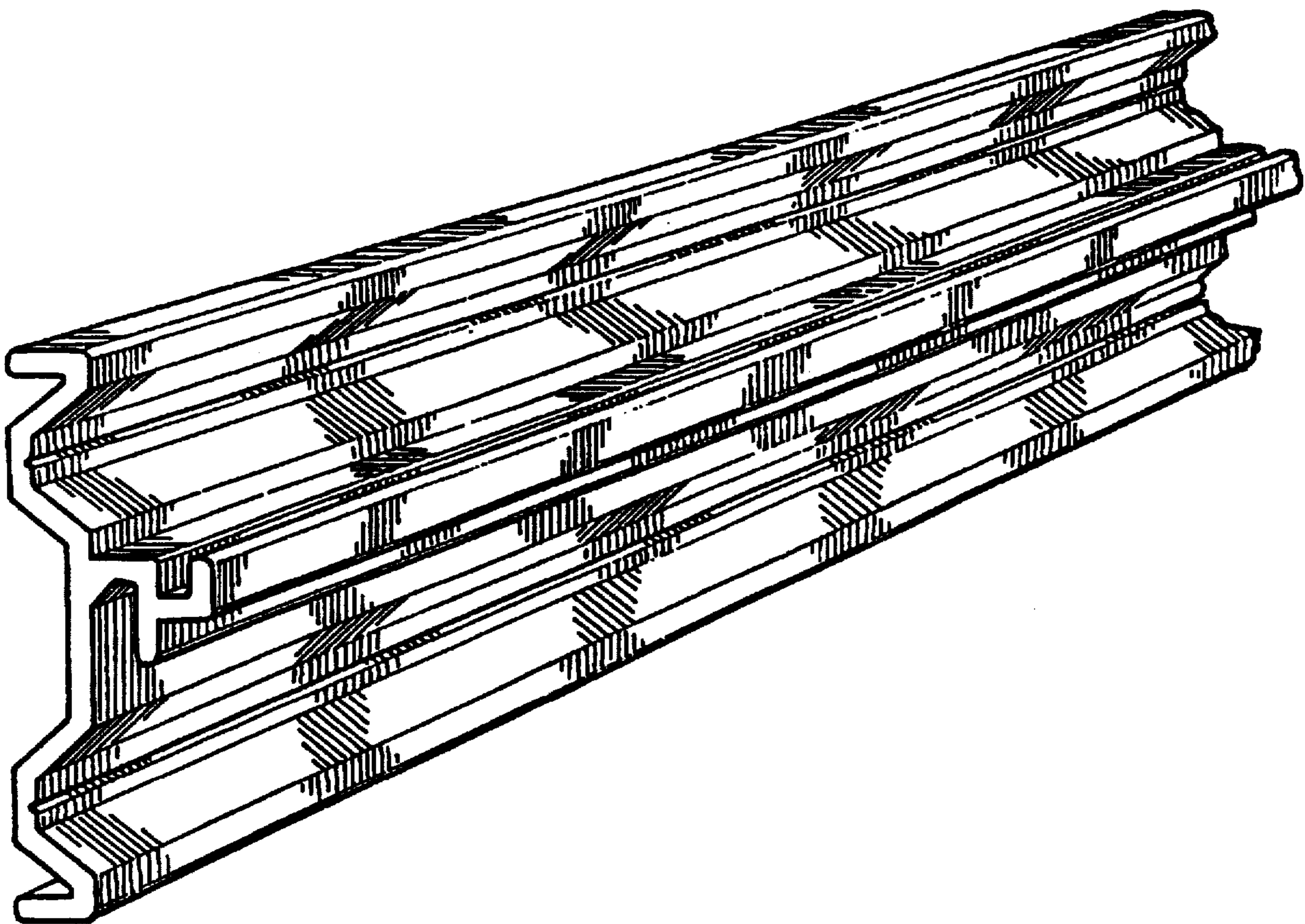
[57] **CLAIM**

The ornamental design for channel member, as shown.

DESCRIPTION

FIG. 1 is a perspective view of a channel member showing the design of the invention; and, FIG. 2 is a side view of the channel member showing the design of the invention.

1 Claim, 1 Drawing Sheet



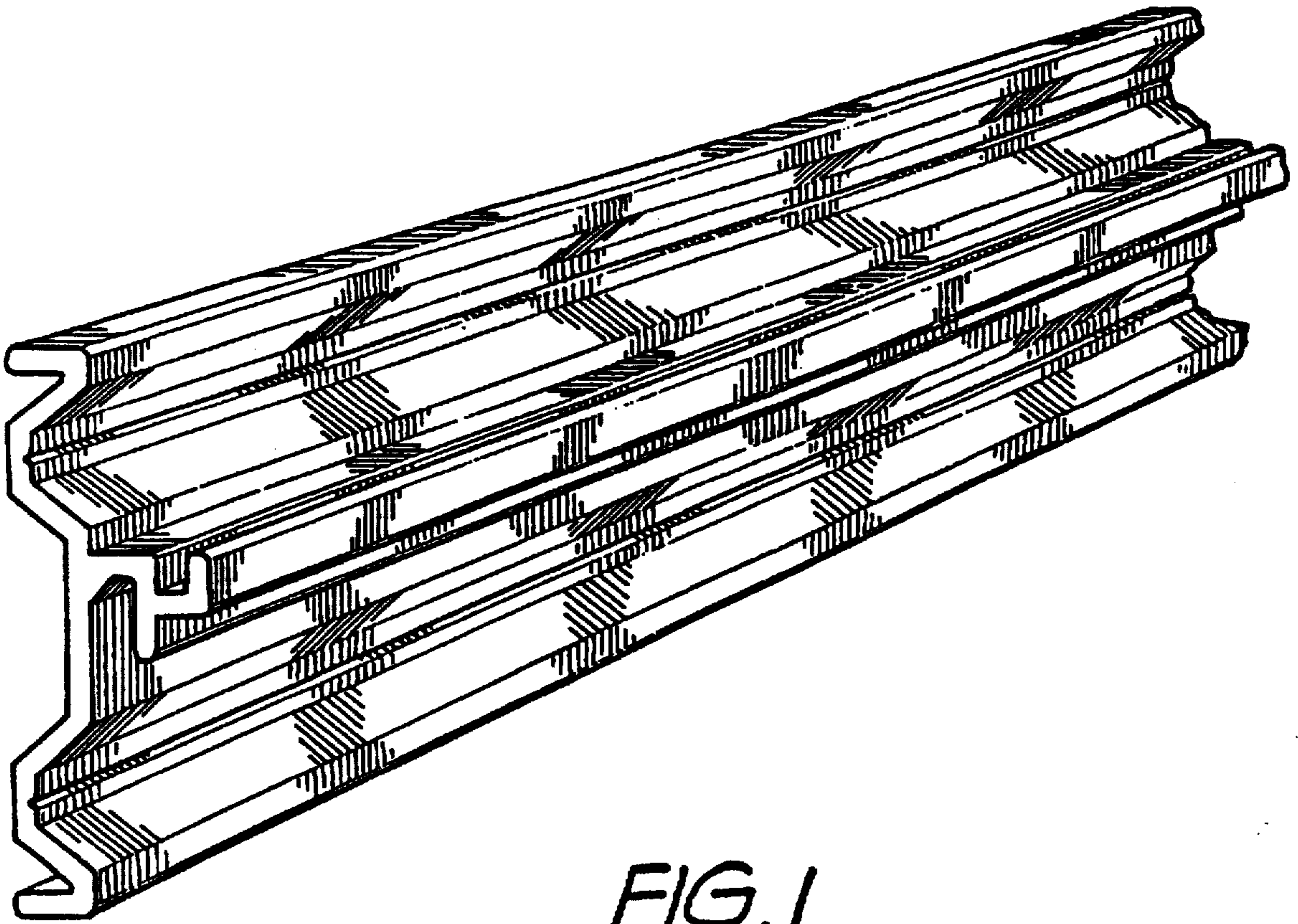


FIG. 1

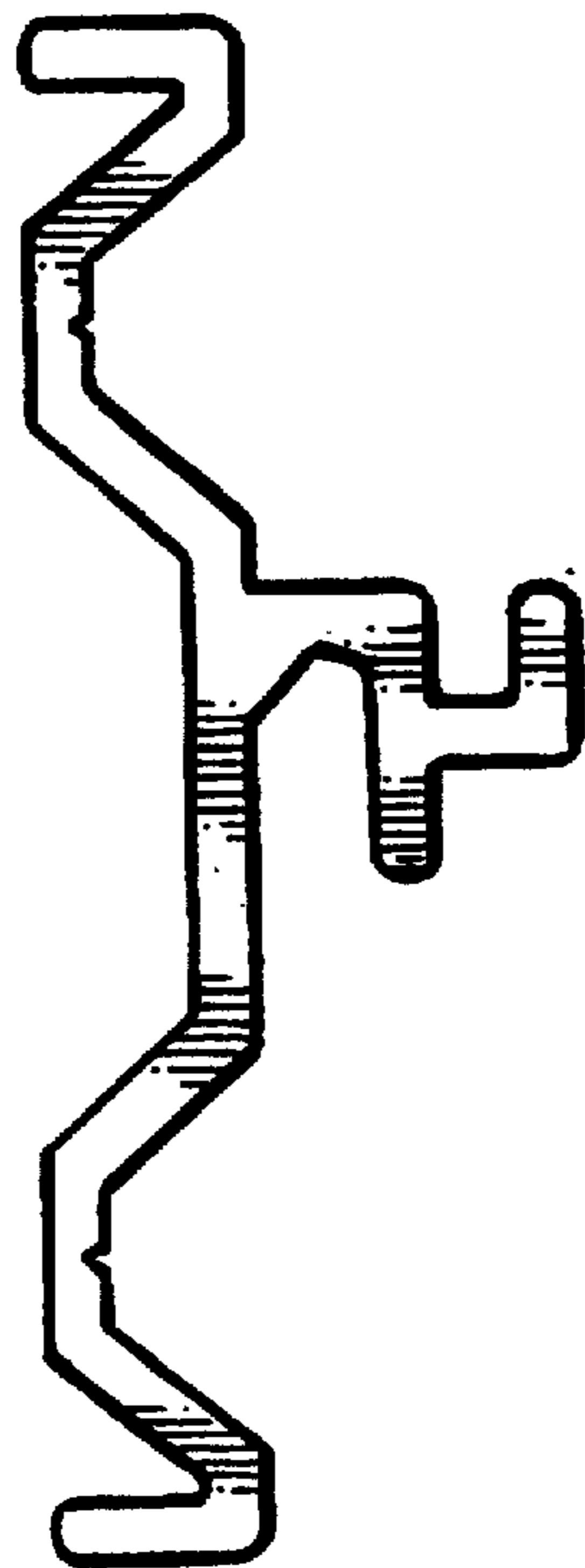


FIG. 2