



US00D408557S

United States Patent [19]

Behunin

[11] Patent Number: **Des. 408,557**

[45] Date of Patent: ****Apr. 20, 1999**

[54] **CONCRETE BLOCK AND BRICK**

3,818,656 6/1974 Vigliotti D25/113
4,115,980 9/1978 Martel et al. 52/590.2

[76] Inventor: **Gage Behunin**, 1901 Leroy Dr., #B,
Northglenn, Colo. 80233

[**] Term: **14 Years**

Primary Examiner—Raphael Barkai
Attorney, Agent, or Firm—Edwin H. Crabtree; Ramon L. Pizarro; Donald W. Margolis

[21] Appl. No.: **29/084,272**

[57] **CLAIM**

[22] Filed: **Feb. 27, 1998**

The ornamental design for a concrete block and brick, as shown and described.

[51] **LOC (6) Cl.** **25-01**

DESCRIPTION

[52] **U.S. Cl.** **D25/114**

[58] **Field of Search** D25/113-118,
D25/151; 52/592.1, 592.2, 592.3, 592.6,
589.1, 311.2, 314, 604, 606, 591.4, 590.2;
446/110, 117, 124, 125, 128; D21/501

FIG. 1 is a perspective view of a concrete block and brick showing my new design; The broken lines showing adjacent concrete blocks and bricks are for illustrative purposes only and form no part of the new design as claimed.

[56] **References Cited**

FIG. 2 is a top elevational view of the concrete block and brick;

U.S. PATENT DOCUMENTS

FIG. 3 is a bottom elevational view of the concrete block and brick;

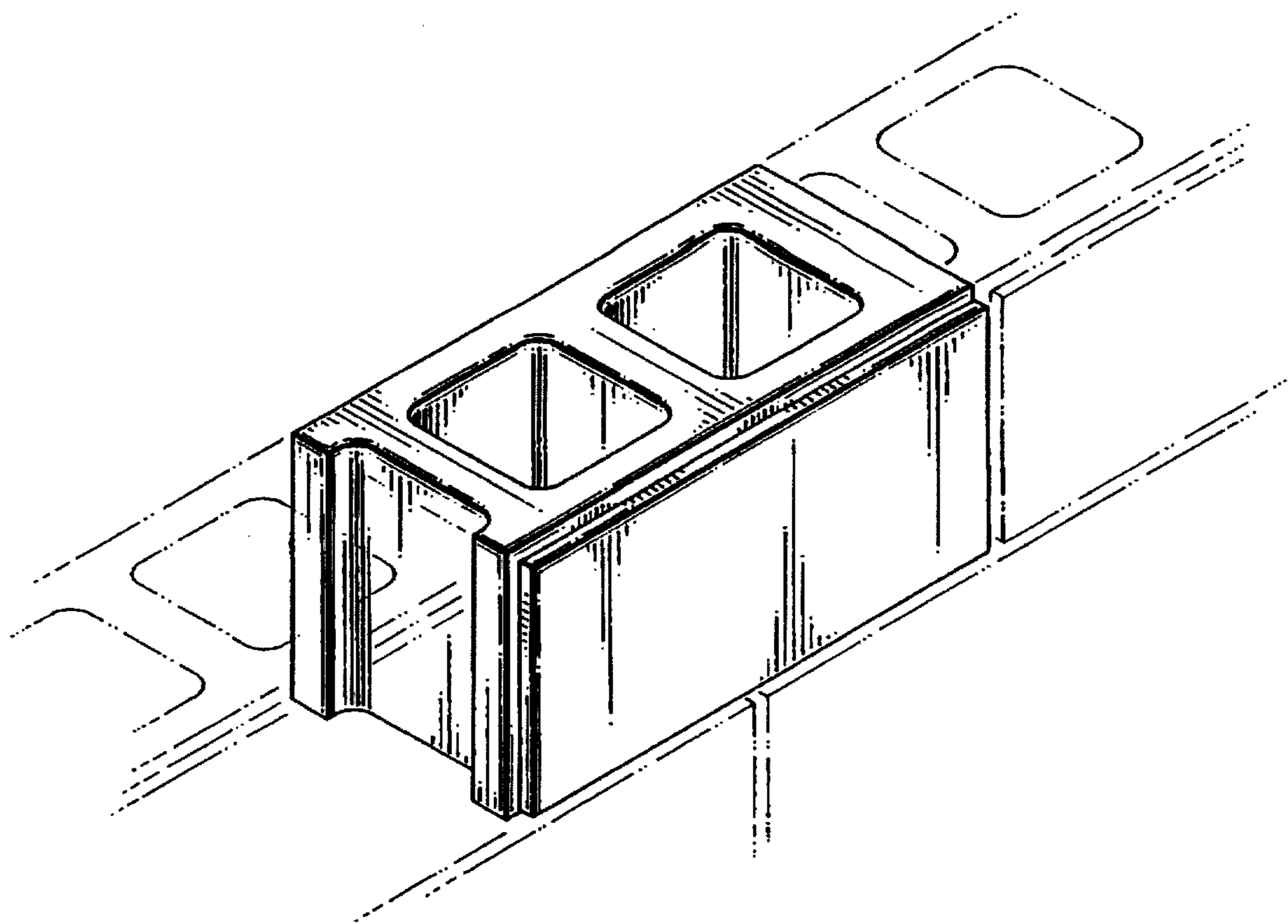
D. 185,611	6/1959	Paulson	D25/115
D. 266,875	11/1982	dos Santos	D25/114
D. 316,904	5/1991	Forsberg	D25/114
D. 340,997	11/1993	Harrison	D25/118
D. 368,313	3/1996	Schulz, Jr.	D25/118
D. 387,433	12/1997	Youssefian	D25/114
D. 392,052	3/1998	Youssefian	D25/114
1,411,005	3/1922	Dula	52/314
3,290,849	12/1966	Wright	D25/118
3,410,044	11/1968	Moog	D25/118

FIG. 4 is a front elevational view of the concrete block and brick;

FIG. 5 is a rear elevational view of the concrete block and brick;

FIG. 6 is an end view of the concrete block and brick; and,
FIG. 7 is an opposite end view from FIG. 6 of the concrete block and brick.

1 Claim, 1 Drawing Sheet



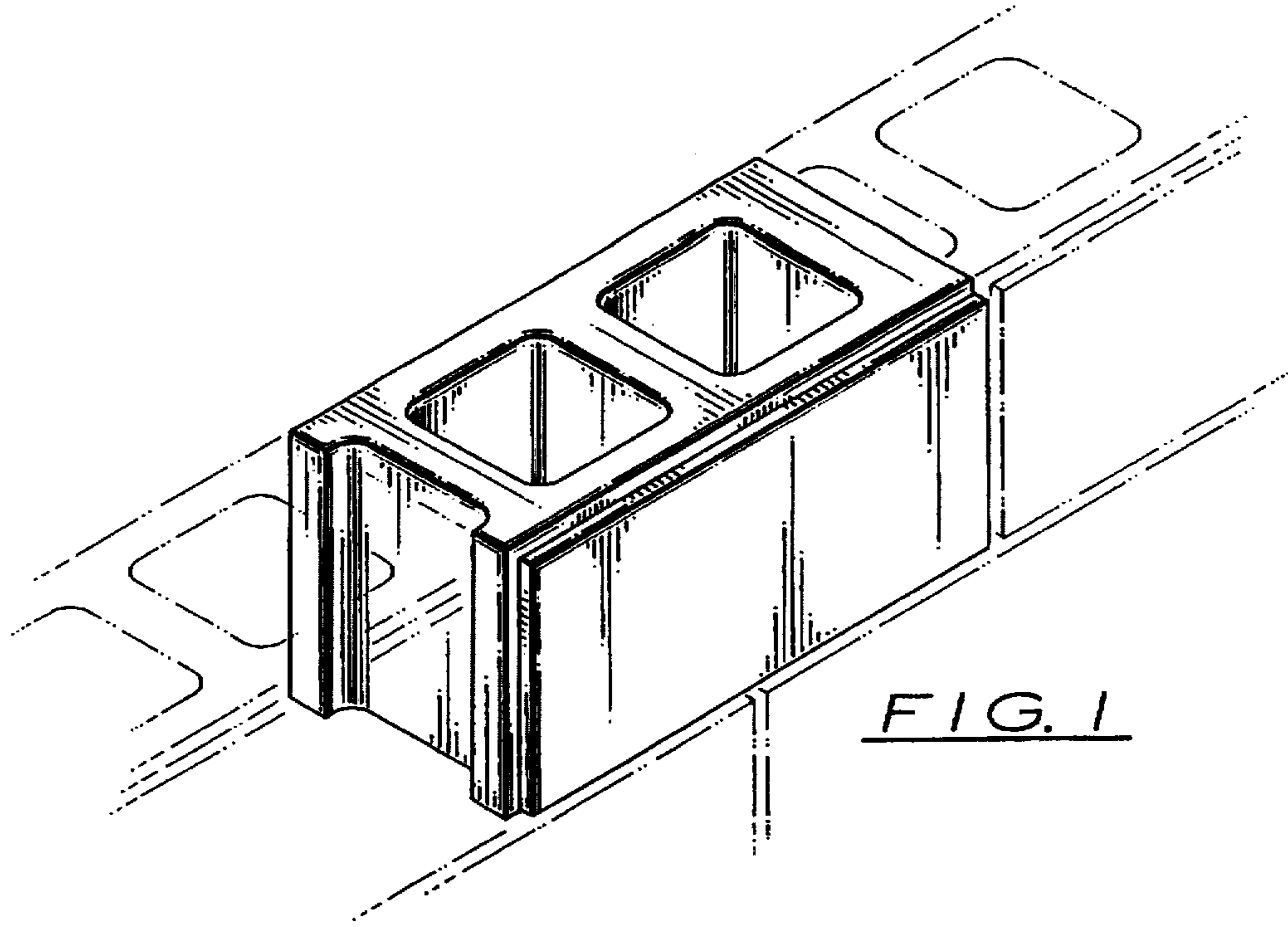


FIG. 1

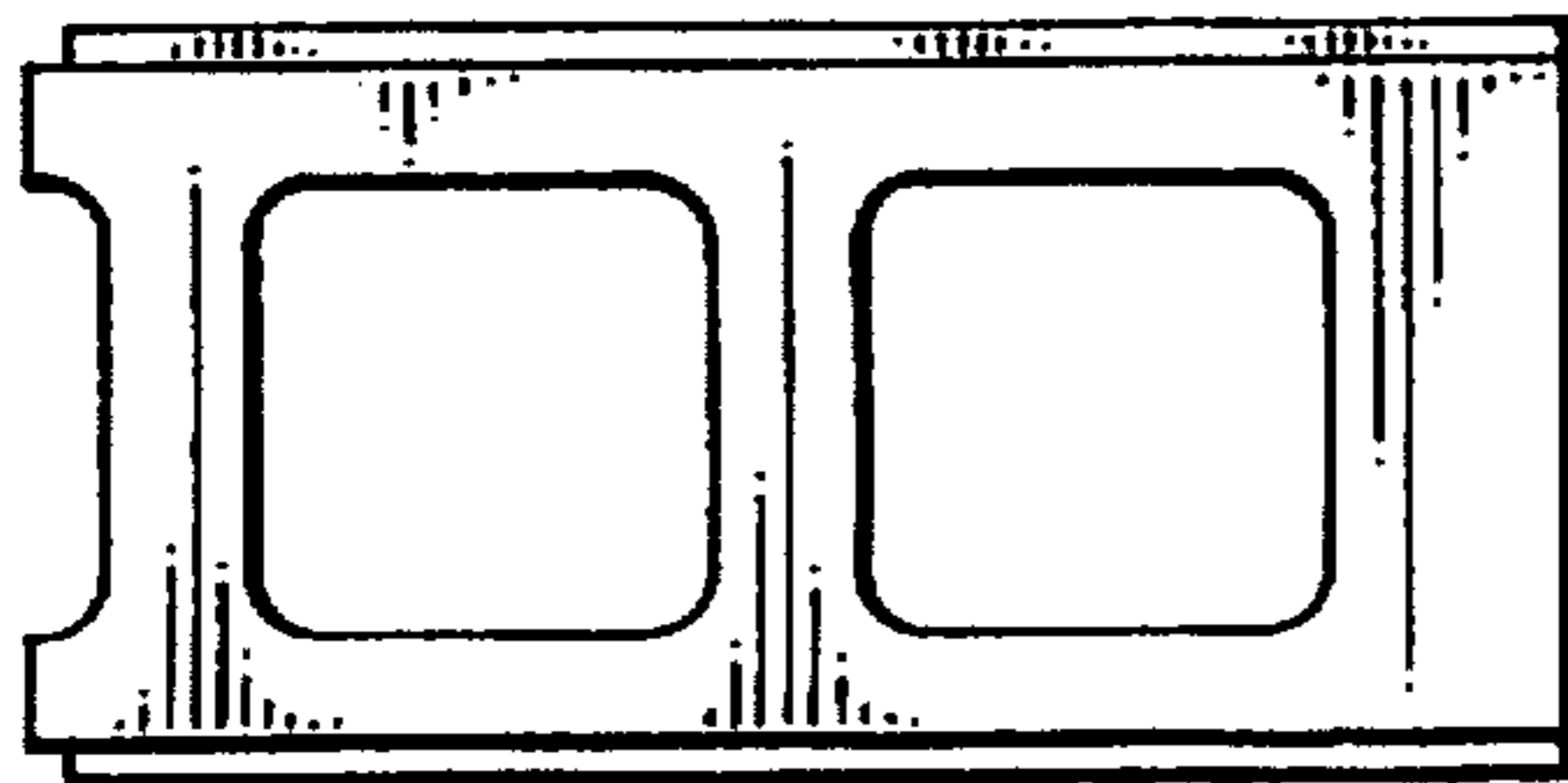


FIG. 2

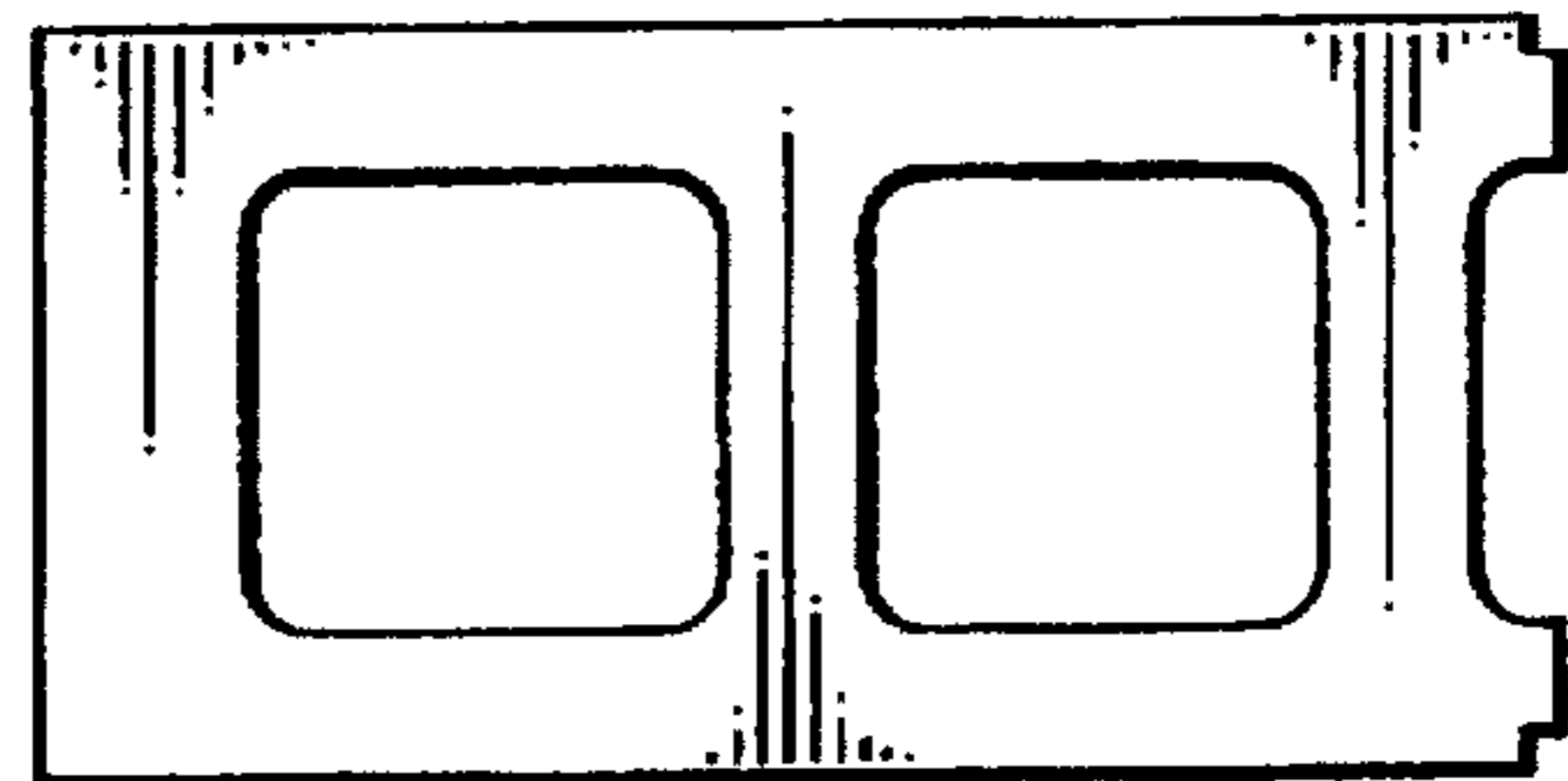


FIG. 3

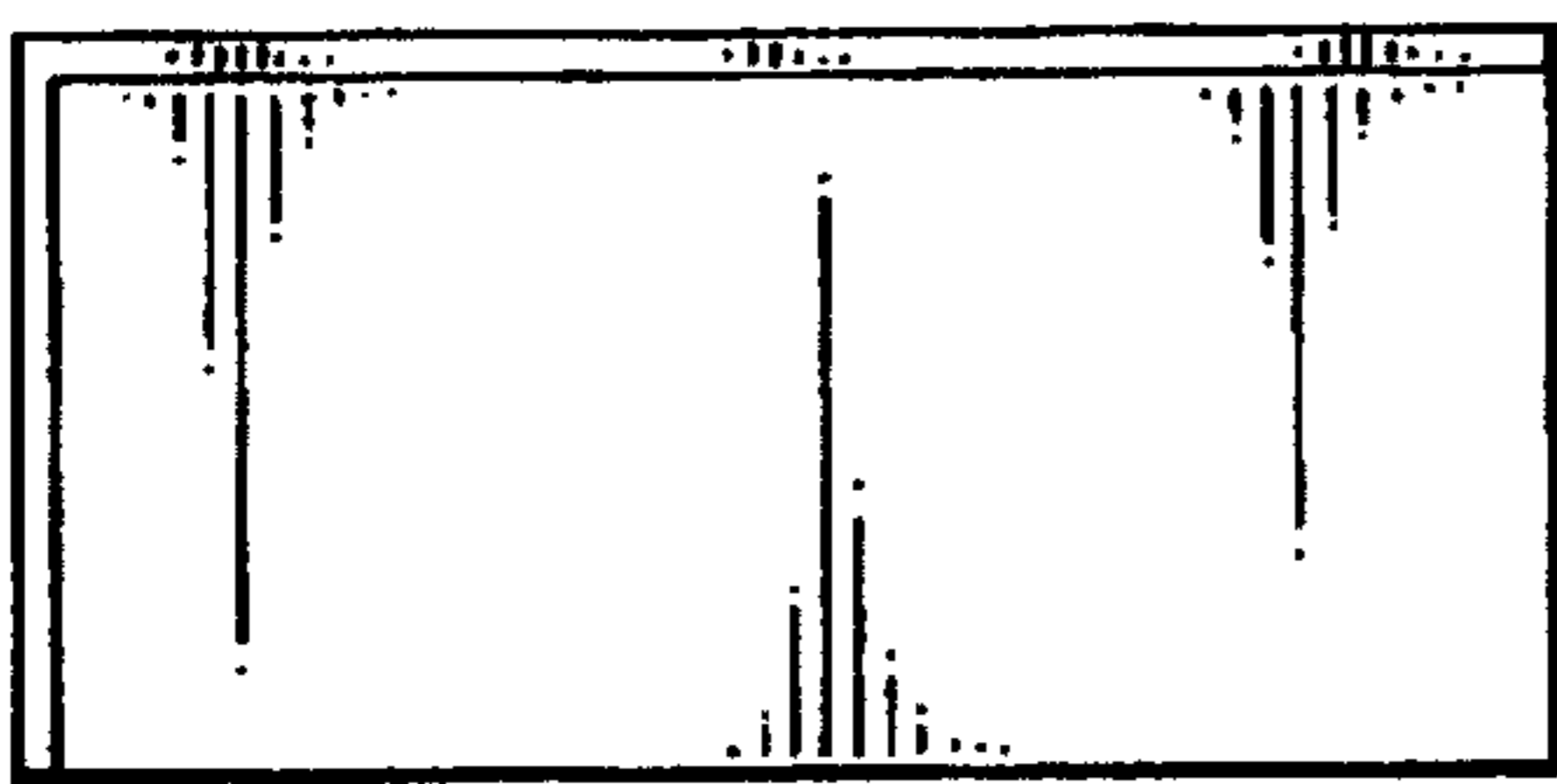


FIG. 4

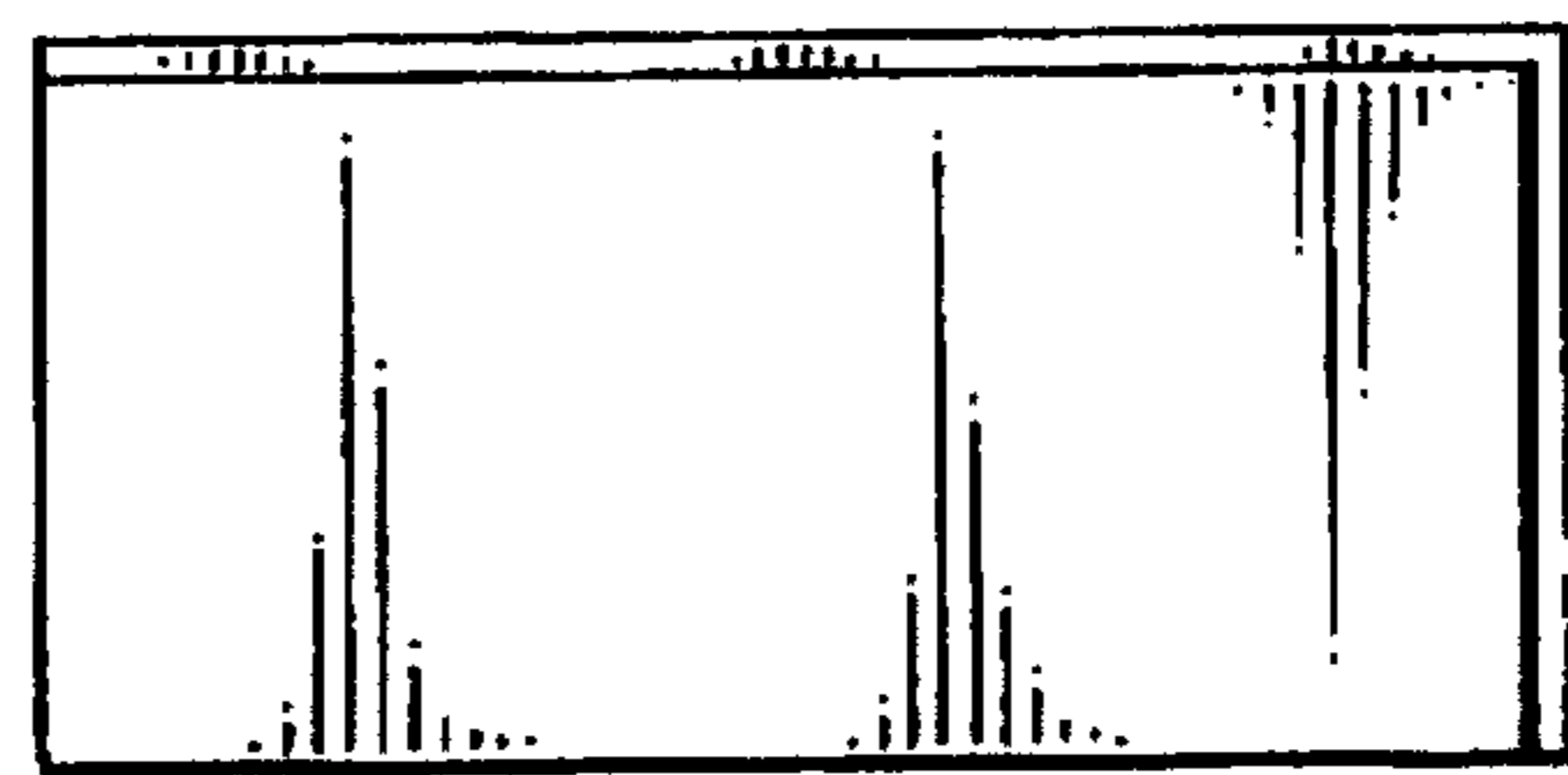


FIG. 5

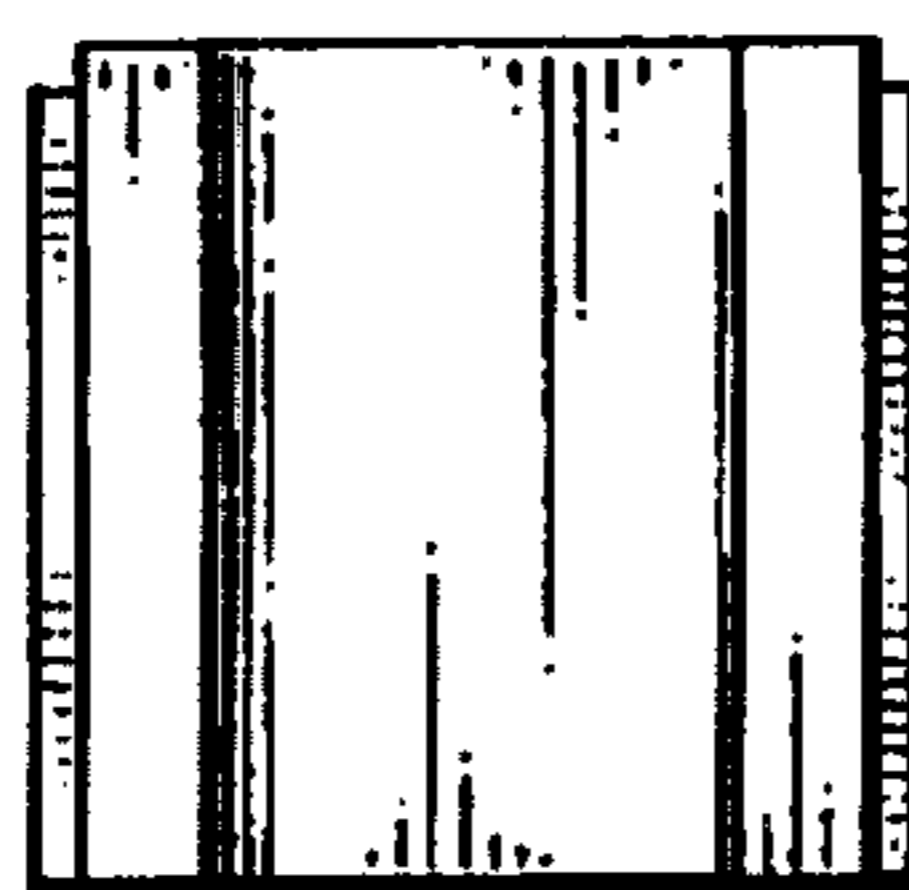


FIG. 6

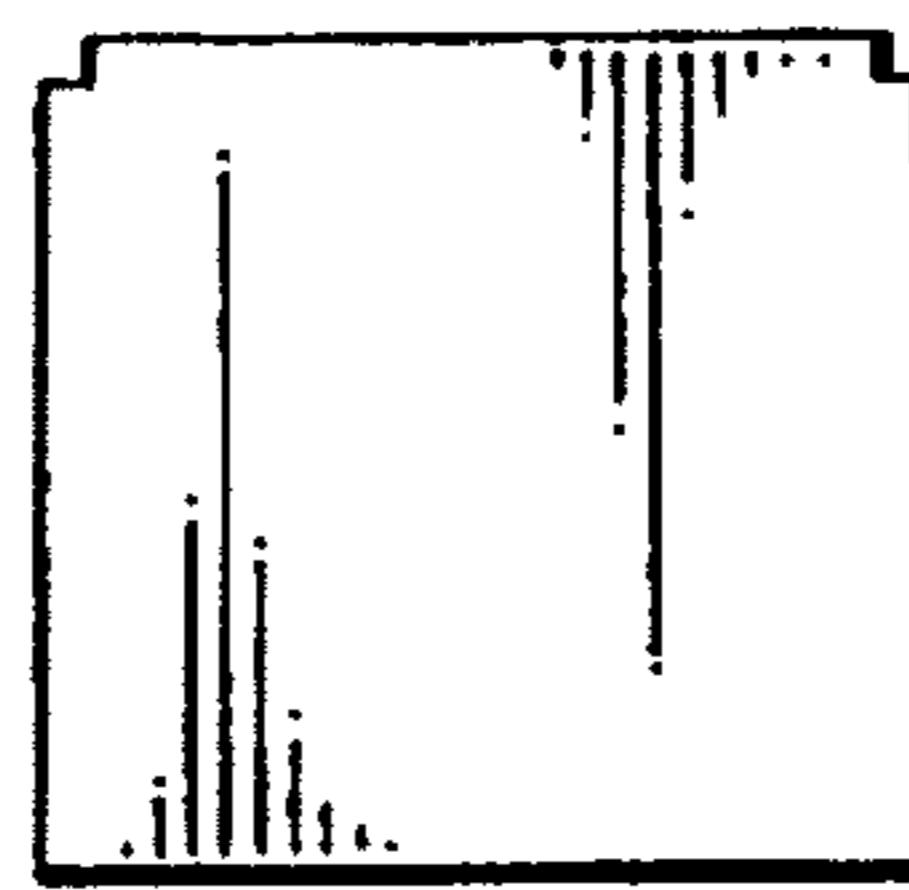


FIG. 7