



US00D408556S

United States Patent [19]
Ruiz

[11] **Patent Number: Des. 408,556**

[45] **Date of Patent: **Apr. 20, 1999**

[54] **LADDER STABILIZING TOP**

4,974,699 12/1990 Boring 182/107
5,484,036 1/1996 Cothorn 182/107

[76] **Inventor: Jose G. Ruiz, HC-02, Box 14546,
Carolina, Puerto Rico 00985**

Primary Examiner—Doris Clark

[**] **Term: 14 Years**

[57] **CLAIM**

[21] **Appl. No.: 29/075,468**

The ornamental design for the ladder stabilizing top, as shown and described.

[22] **Filed: Aug. 21, 1997**

DESCRIPTION

Related U.S. Application Data

FIG. 1 is a perspective view of the ladder stabilizing top showing my new design in use with the broken line showing of the ladder being for illustrative purposes only and forming no part of the claimed design;

[62] **Division of application No. 08/668,775, Jun. 24, 1996.**

[51] **LOC (6) Cl. 25-04**

FIG. 2 is a front elevational view thereof;

[52] **U.S. Cl. D25/68**

FIG. 3 is a rear elevational view thereof;

[58] **Field of Search D25/68; 182/107,
182/108, 112, 201, 203, 204**

FIG. 4 is a left side elevational view thereof;

FIG. 5 is a right side elevational view thereof;

FIG. 6 is a top plan view thereof; and,

FIG. 7 is a bottom plan view thereof.

The stipeled surface of the ladder stabilizing top of the present design represents a fabric covering.

[56] **References Cited**

U.S. PATENT DOCUMENTS

D. 366,319 1/1996 Sheftel D25/68
4,880,079 11/1989 Leclerc 182/187

1 Claim, 2 Drawing Sheets

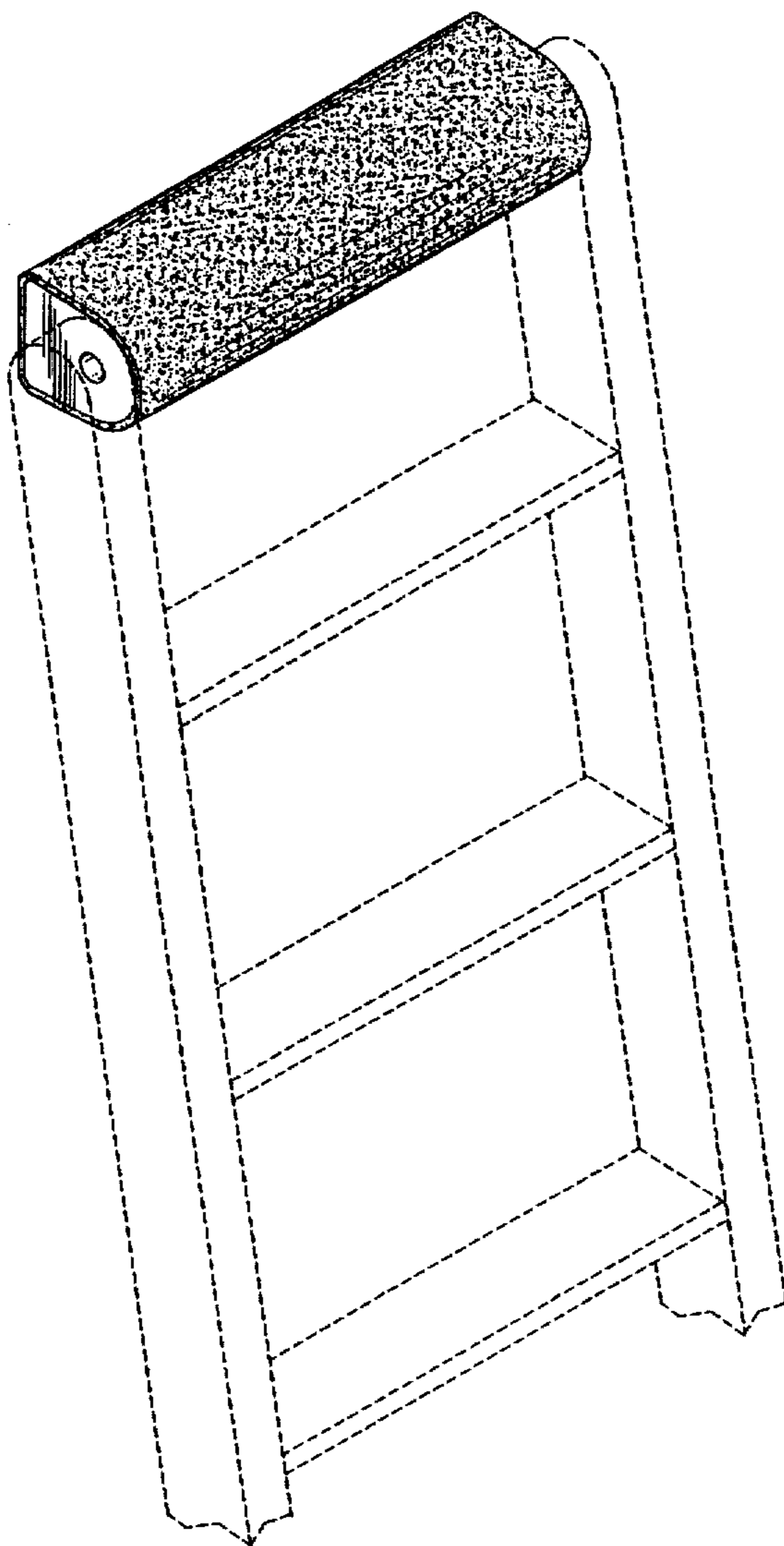


FIG. 1

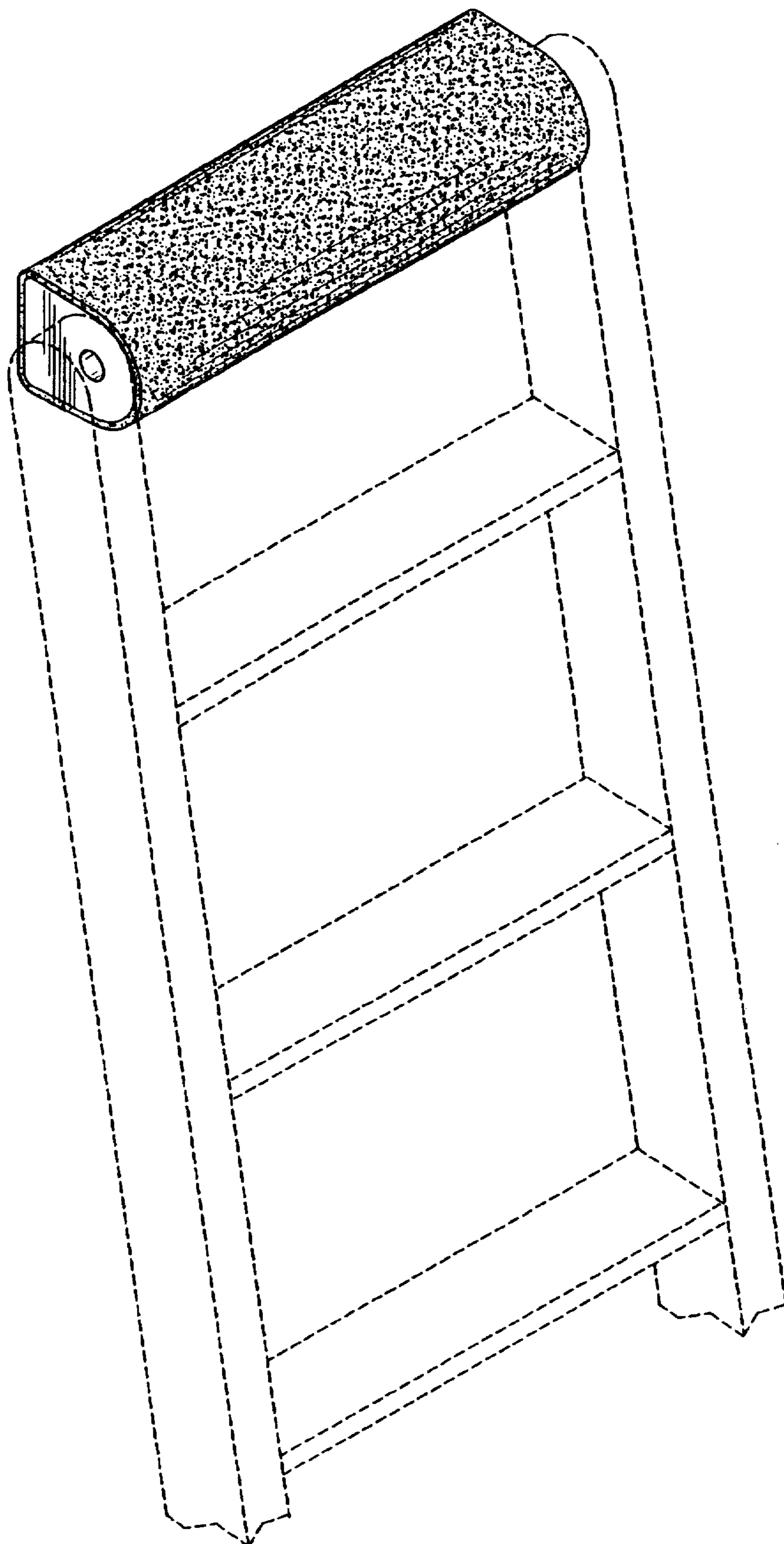


FIG. 2

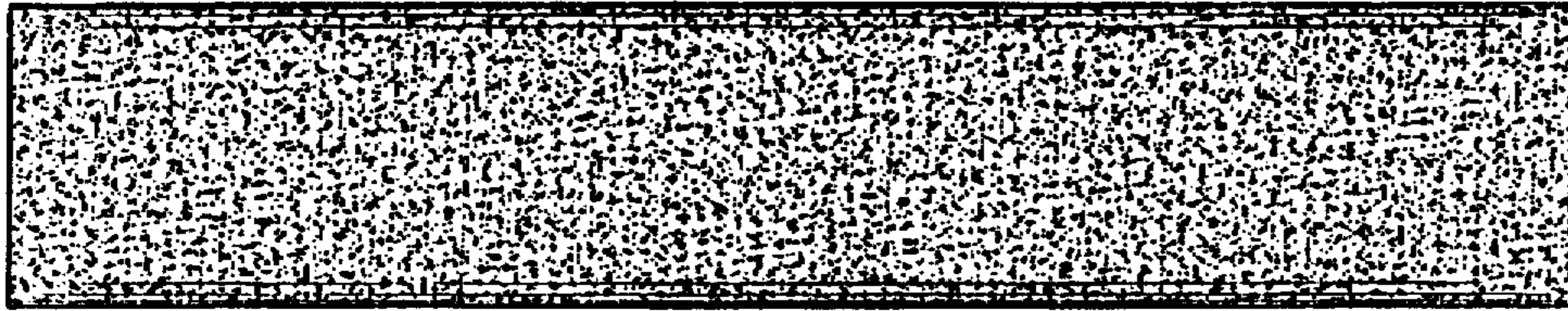


FIG. 3

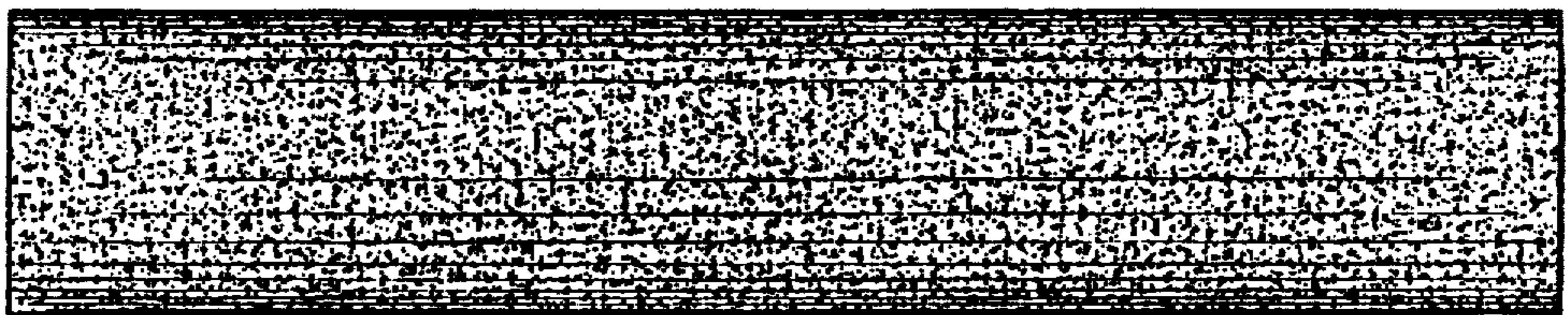


FIG. 4

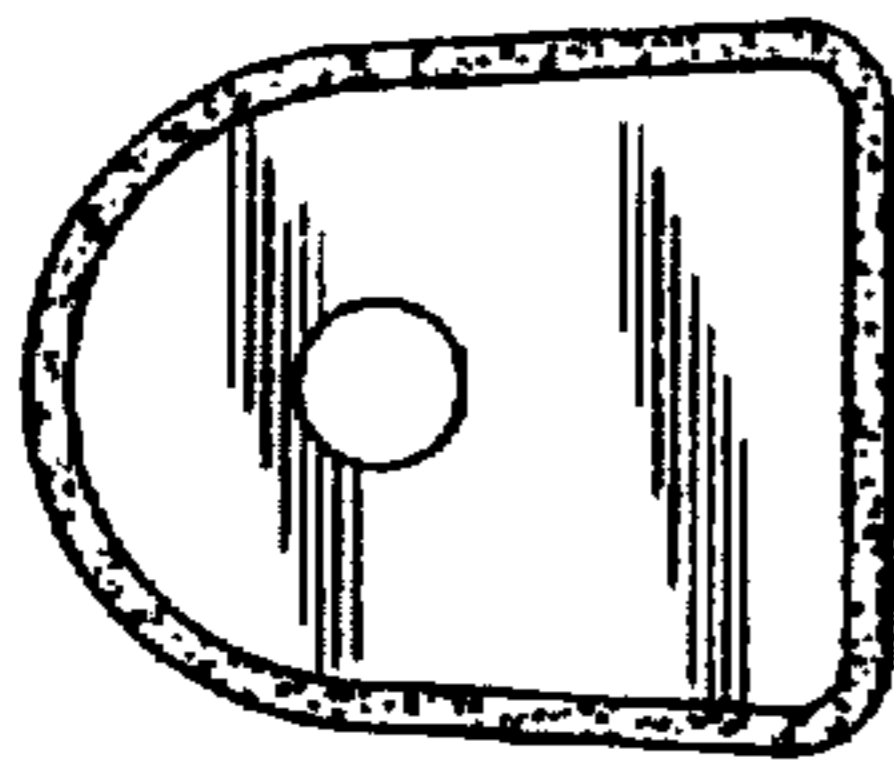


FIG. 5

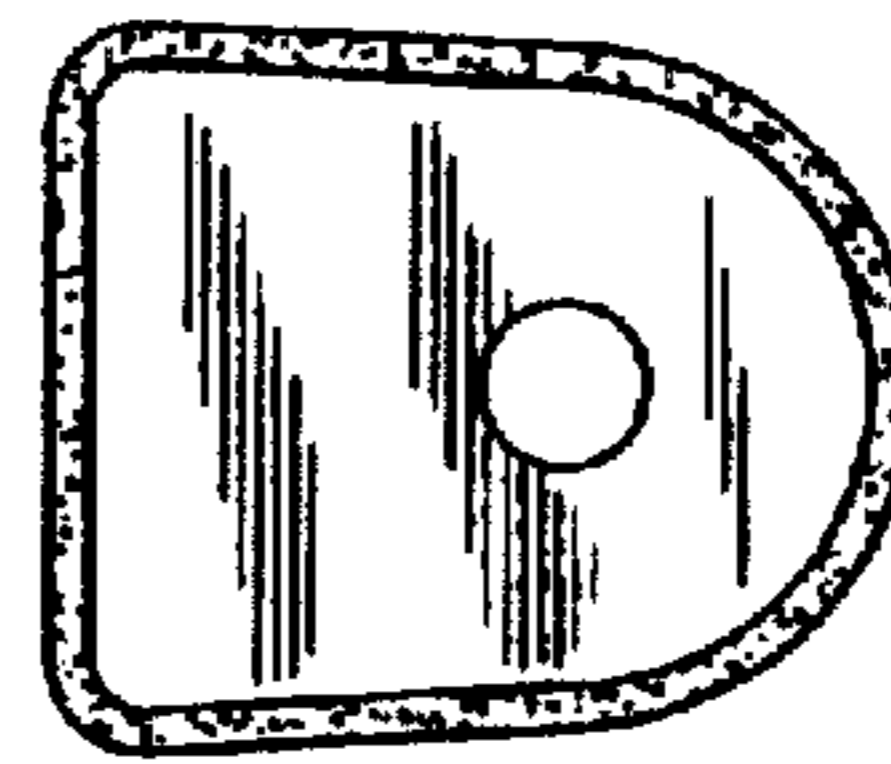


FIG. 6

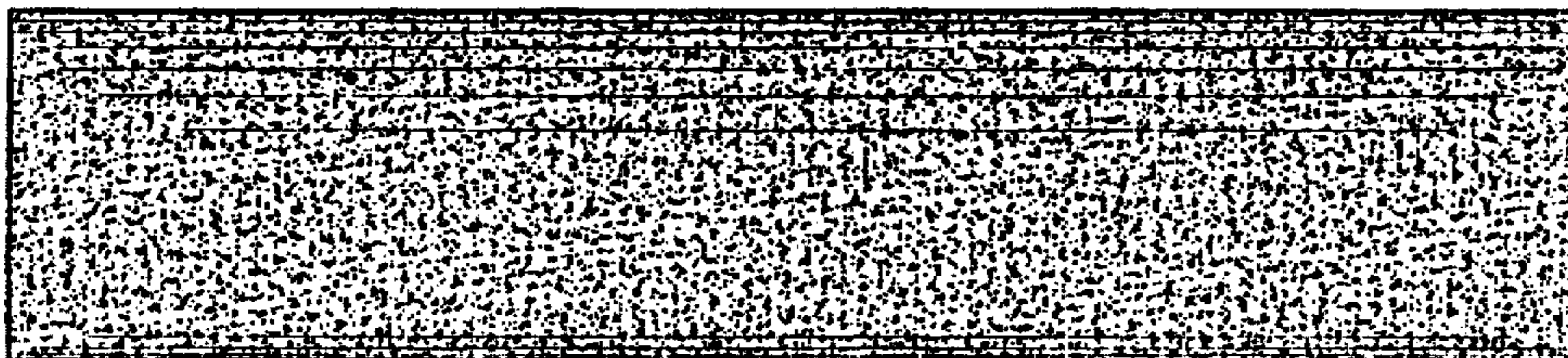


FIG. 7

