



US00D408548S

United States Patent [19]
Sullivan

[11] **Patent Number: Des. 408,548**

[45] **Date of Patent: **Apr. 20, 1999**

[54] **FIBERGLASS SWIMMING POOL**

4,720,949 1/1988 Taylor 4/488

[76] **Inventor: Kirk Sullivan, 5028 Lake in the Woods Blvd., Lakeland, Fla. 33813**

Primary Examiner—Doris Clark
Attorney, Agent, or Firm—Stetina Brunda Garred & Brucker

[**] **Term: 14 Years**

[57] **CLAIM**

[21] **Appl. No.: 29/089,140**

The ornamental design for a fiberglass swimming pool, as shown and described.

[22] **Filed: Jun. 9, 1998**

DESCRIPTION

[51] **LOC (6) Cl. 25-03**

[52] **U.S. Cl. D25/2**

[58] **Field of Search D25/2; D24/204, D24/205; 4/488, 524, 513**

FIG. 1 is a perspective view of the fiberglass swimming pool of the present invention;
FIG. 2 is a top plan view of the fiberglass swimming pool of the present invention;
FIG. 3 is a cross-sectional view of the fiberglass swimming pool of the present invention taken along lines 3—3 of FIG. 2;
FIG. 4 is a cross-sectional view of the fiberglass swimming pool of the present invention along lines 4—4 of FIG. 2; and, FIG. 5 is a cross-sectional view of the fiberglass swimming pool of the present invention taken along lines 5—5 of FIG. 2.

[56] **References Cited**

U.S. PATENT DOCUMENTS

D. 275,608	9/1984	Sullivan	D25/2
D. 275,609	9/1984	Monten	D25/2
D. 277,135	1/1985	Sullivan	D24/38
D. 278,932	5/1985	Sullivan	D25/2
D. 278,933	5/1985	Sullivan	D25/2
D. 285,350	8/1986	Sullivan	D25/2
D. 347,697	6/1994	Weir	D25/2

1 Claim, 1 Drawing Sheet

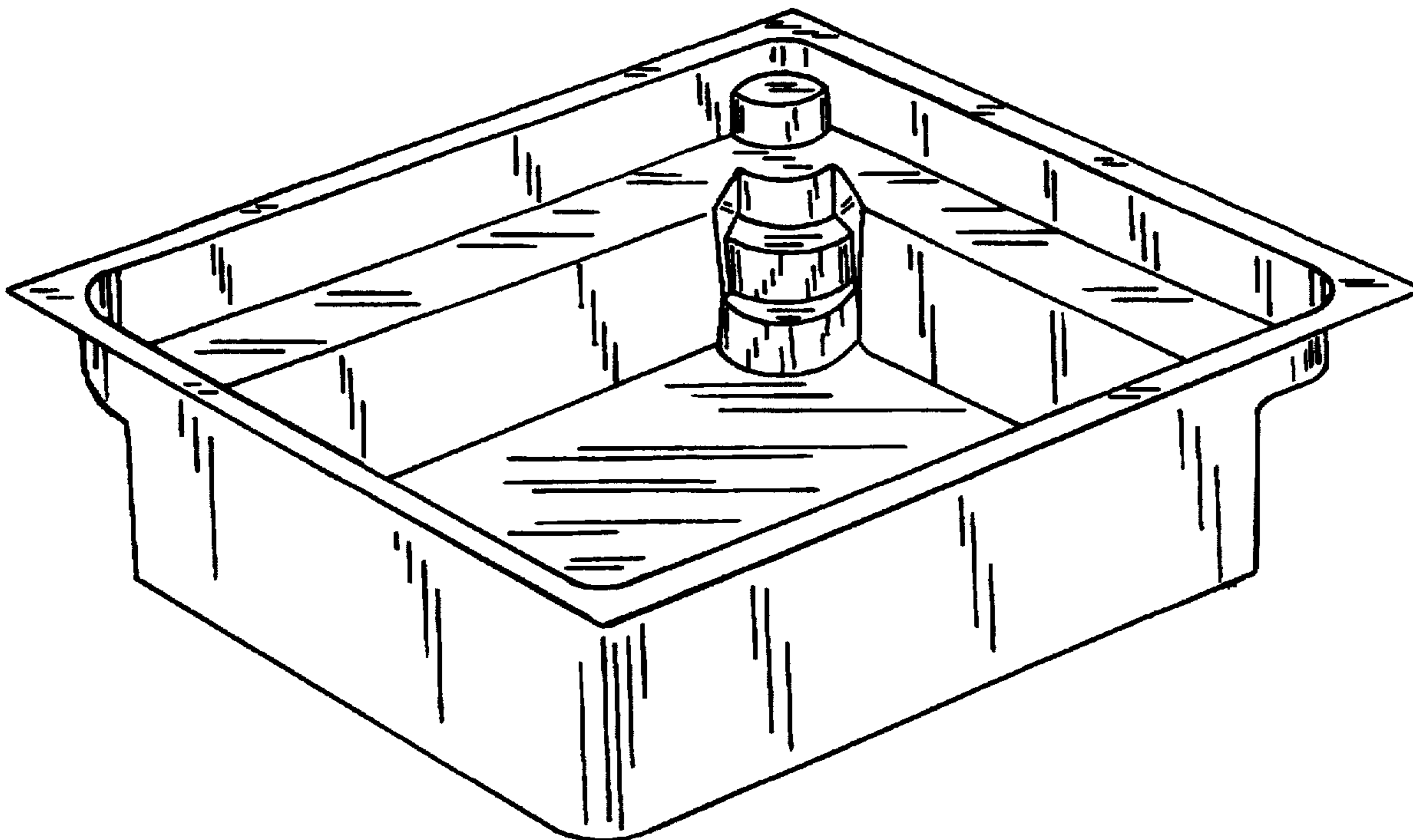


Fig. 1

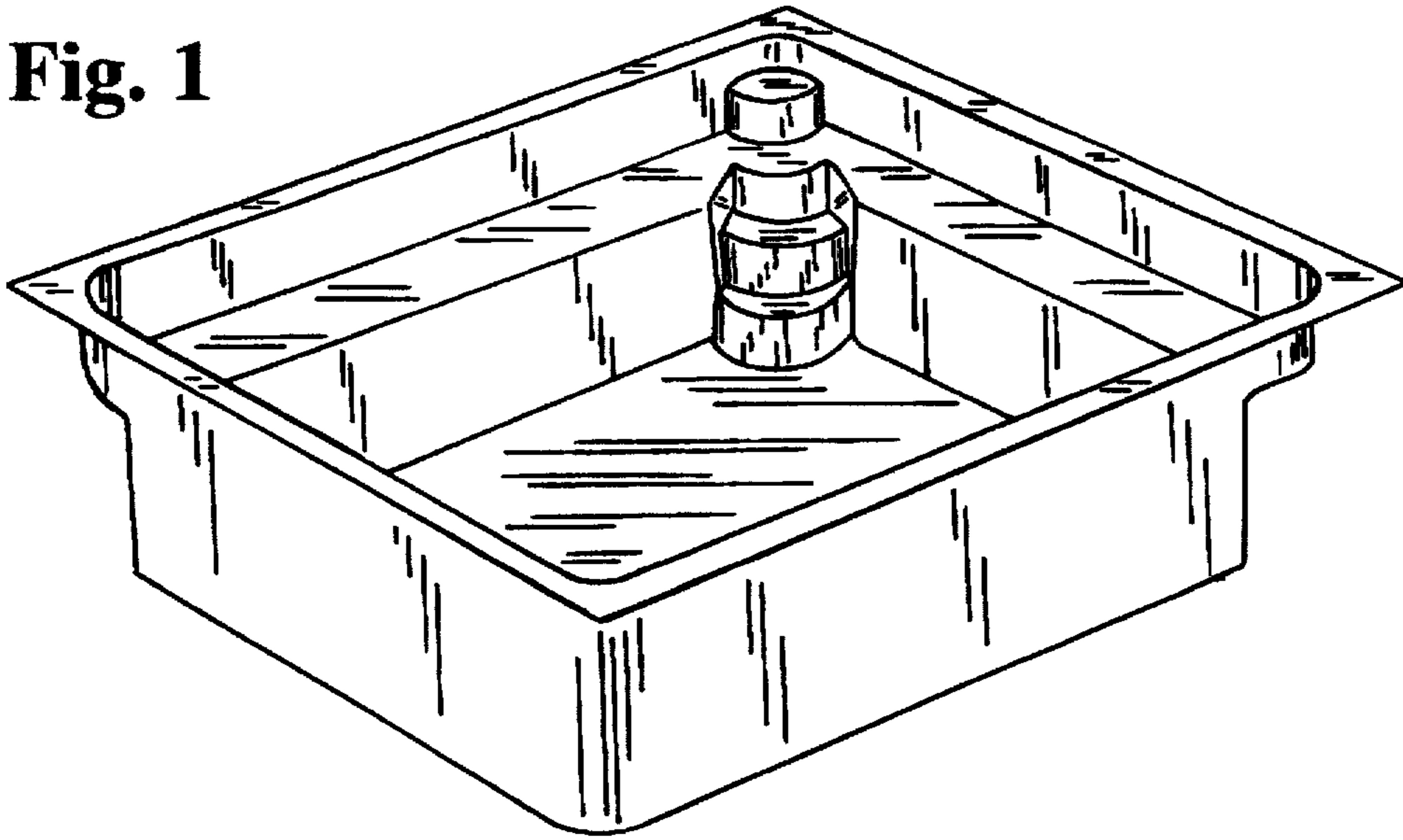


Fig. 2

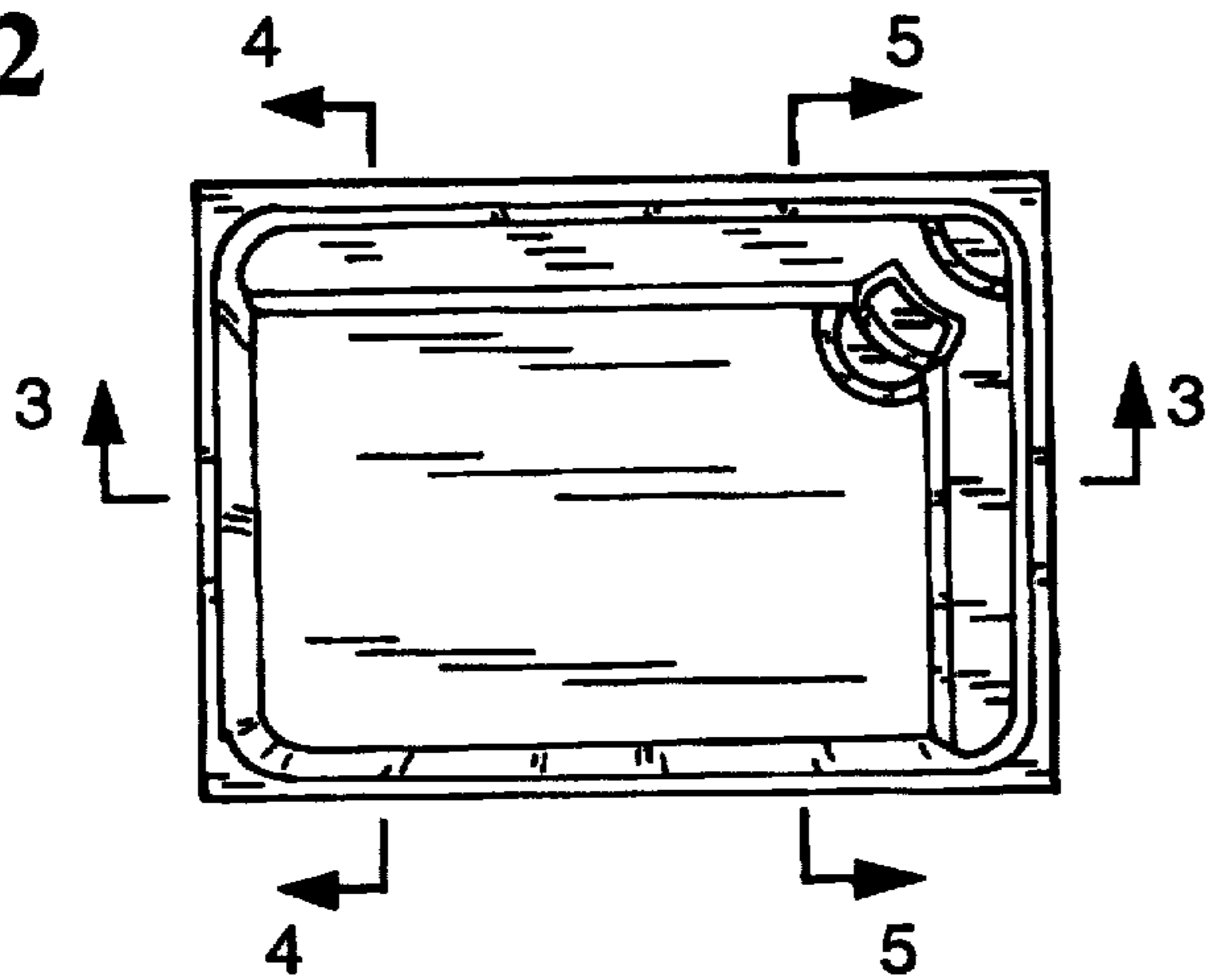


Fig. 4

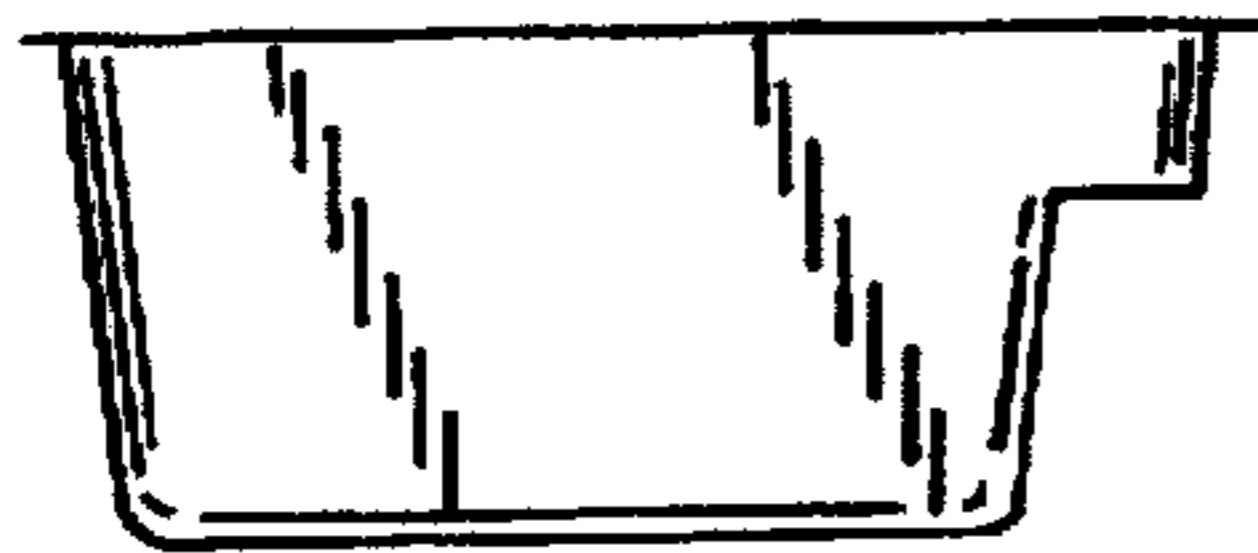


Fig. 3

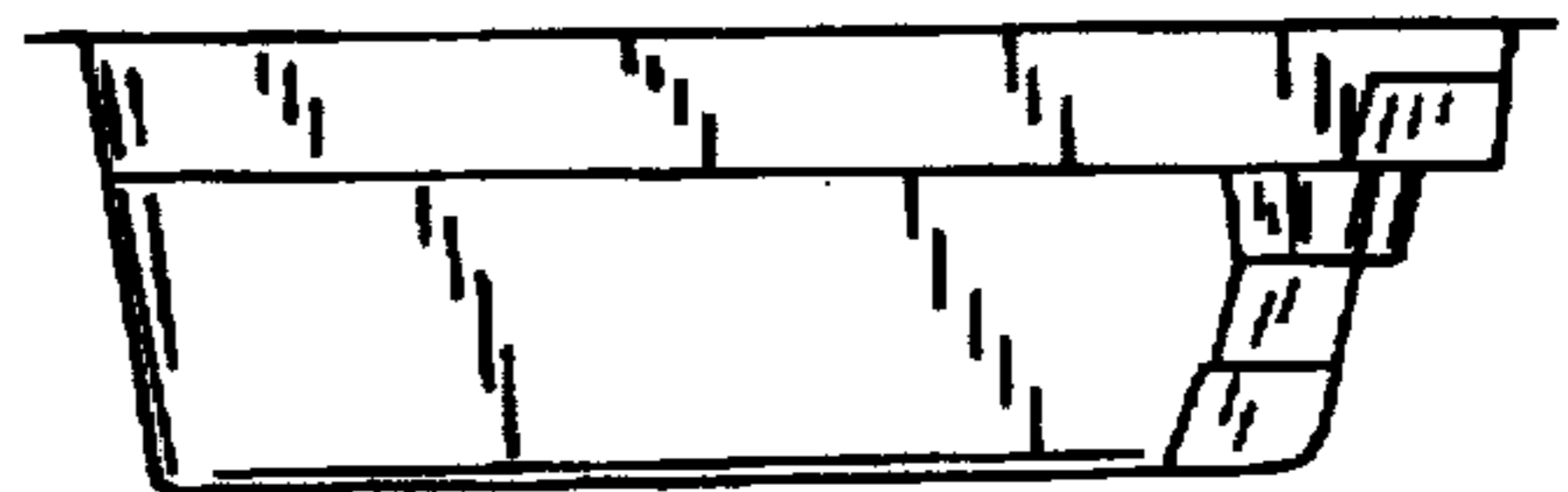


Fig. 5

