



US00D408547S

United States Patent [19]

[11] Patent Number: **Des. 408,547**

Sullivan

[45] Date of Patent: ****Apr. 20, 1999**

[54] **COMBINATION FIBERGLASS SWIMMING POOL AND SPA**

D. 285,350 8/1986 Sullivan D25/2

[76] Inventor: **Kirk Sullivan**, 5028 Lake in the Woods Blvd., Lakeland, Fla. 33813

Primary Examiner—Doris Clark
Attorney, Agent, or Firm—Stetina Brunda Garred & Brucker

[**] Term: **14 Years**

[57] CLAIM

[21] Appl. No.: **29/089,139**

The ornamental design for a combination fiberglass swimming pool and spa, as shown and described.

[22] Filed: **Jun. 9, 1998**

DESCRIPTION

[51] LOC (6) CL **25-03**

[52] U.S. Cl. **D25/2**

[58] Field of Search D25/2; D24/204, D24/205; 4/488, 524, 513

FIG. 1 is a perspective view of the combination fiberglass swimming pool and spa of the present invention; FIG. 2 is a top plan view of the combination fiberglass swimming pool and spa of the present invention; FIG. 3 is a cross-sectional view of the combination fiberglass swimming pool and spa of the present invention taken along lines 3—3 of FIG. 2; FIG. 4 is a cross-sectional view of the combination fiberglass swimming pool and spa of the present invention along lines 4—4 of FIG. 2; and, FIG. 5 is a cross-sectional view of the combination fiberglass swimming pool and spa of the present invention taken along lines 5—5 of FIG. 2.

[56] References Cited

U.S. PATENT DOCUMENTS

| | | | | |
|------------|--------|----------|-------|--------|
| D. 179,930 | 3/1957 | Culver | | D25/2 |
| D. 251,201 | 2/1979 | Mathis | | 4/488 |
| D. 275,608 | 9/1984 | Sullivan | | D25/2 |
| D. 275,609 | 9/1984 | Monten | | D25/2 |
| D. 277,135 | 1/1985 | Sullivan | | D24/38 |
| D. 278,932 | 5/1985 | Sullivan | | D25/2 |
| D. 278,933 | 5/1985 | Sullivan | | D25/2 |

1 Claim, 1 Drawing Sheet

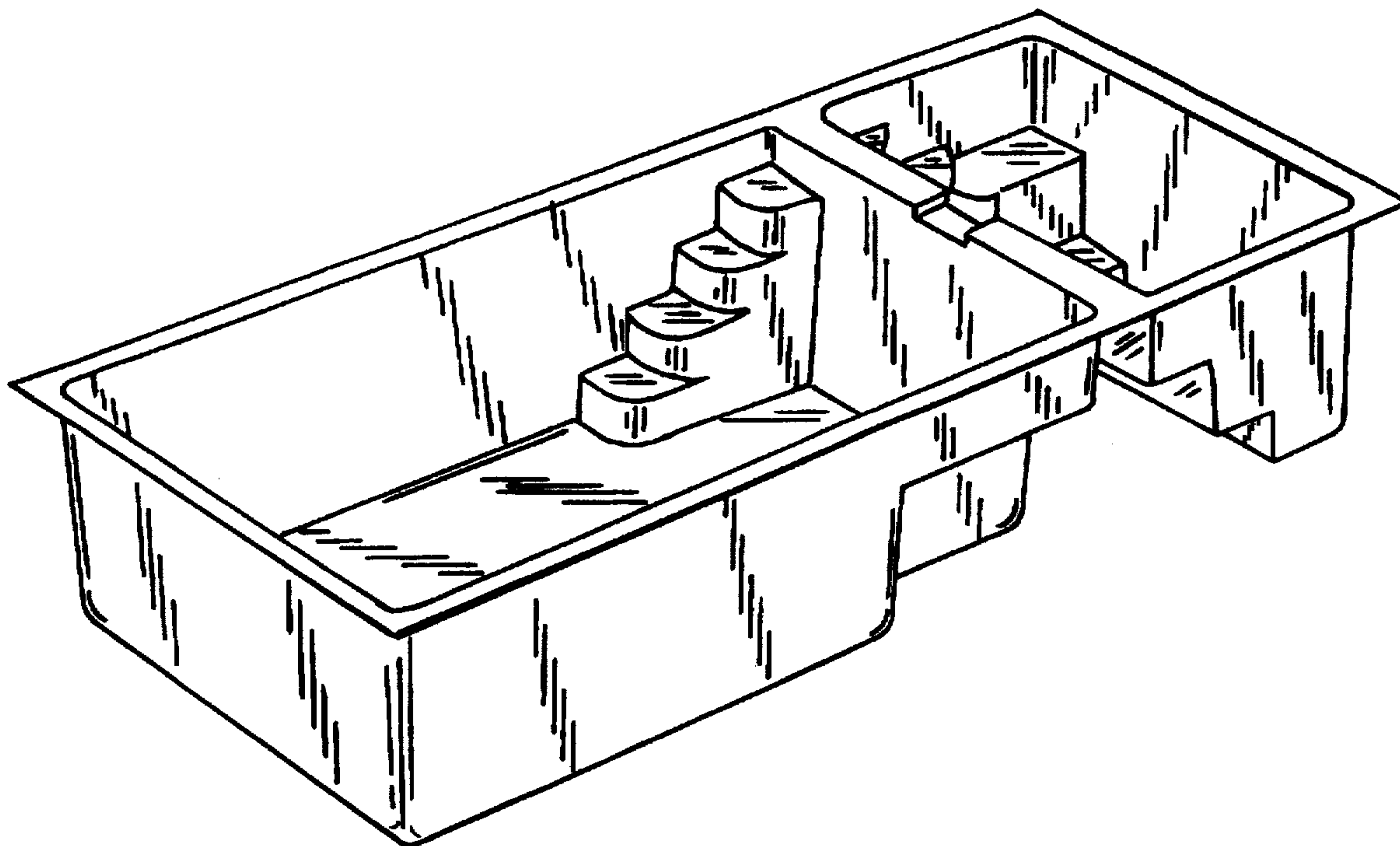


Fig. 1

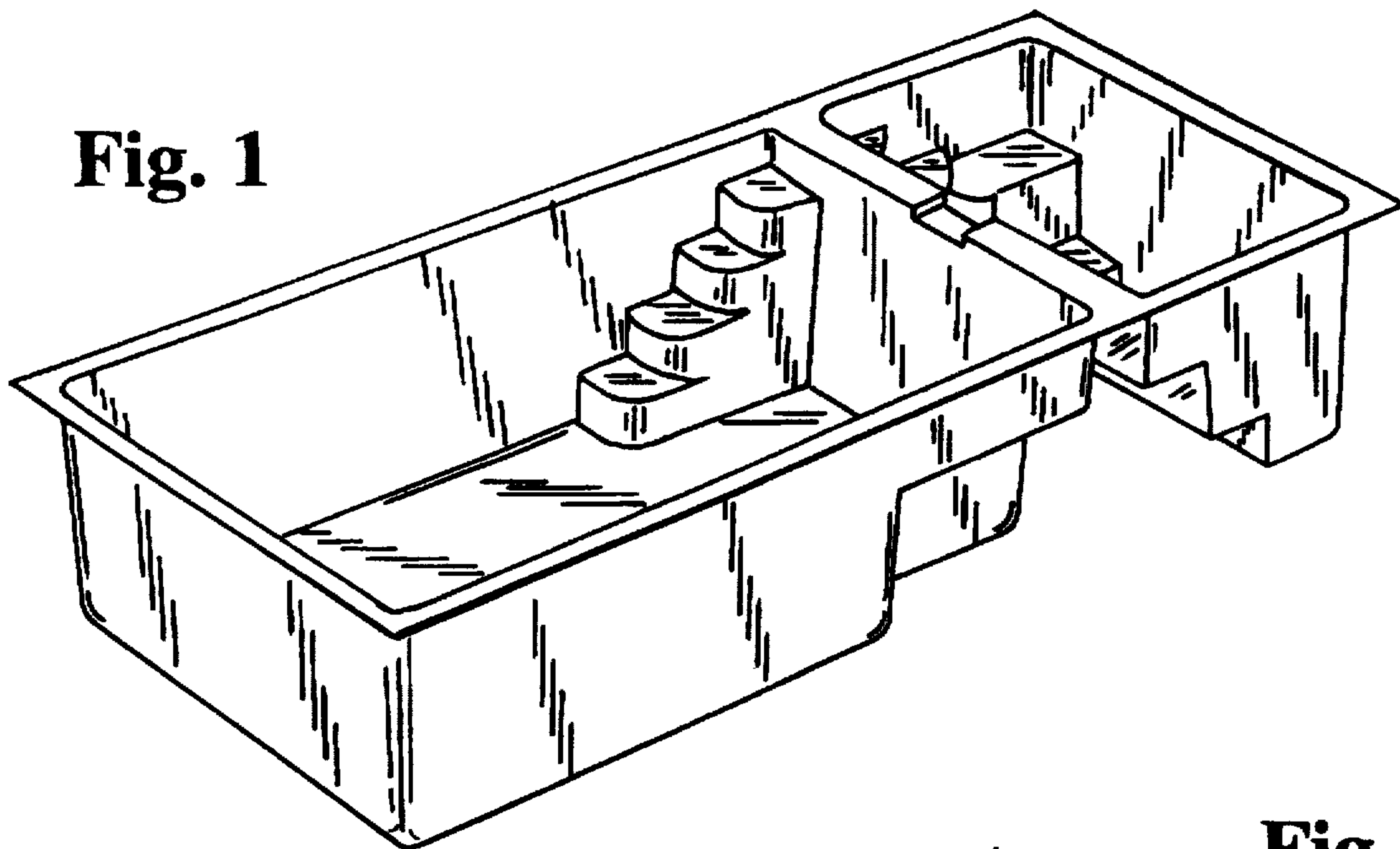


Fig. 2

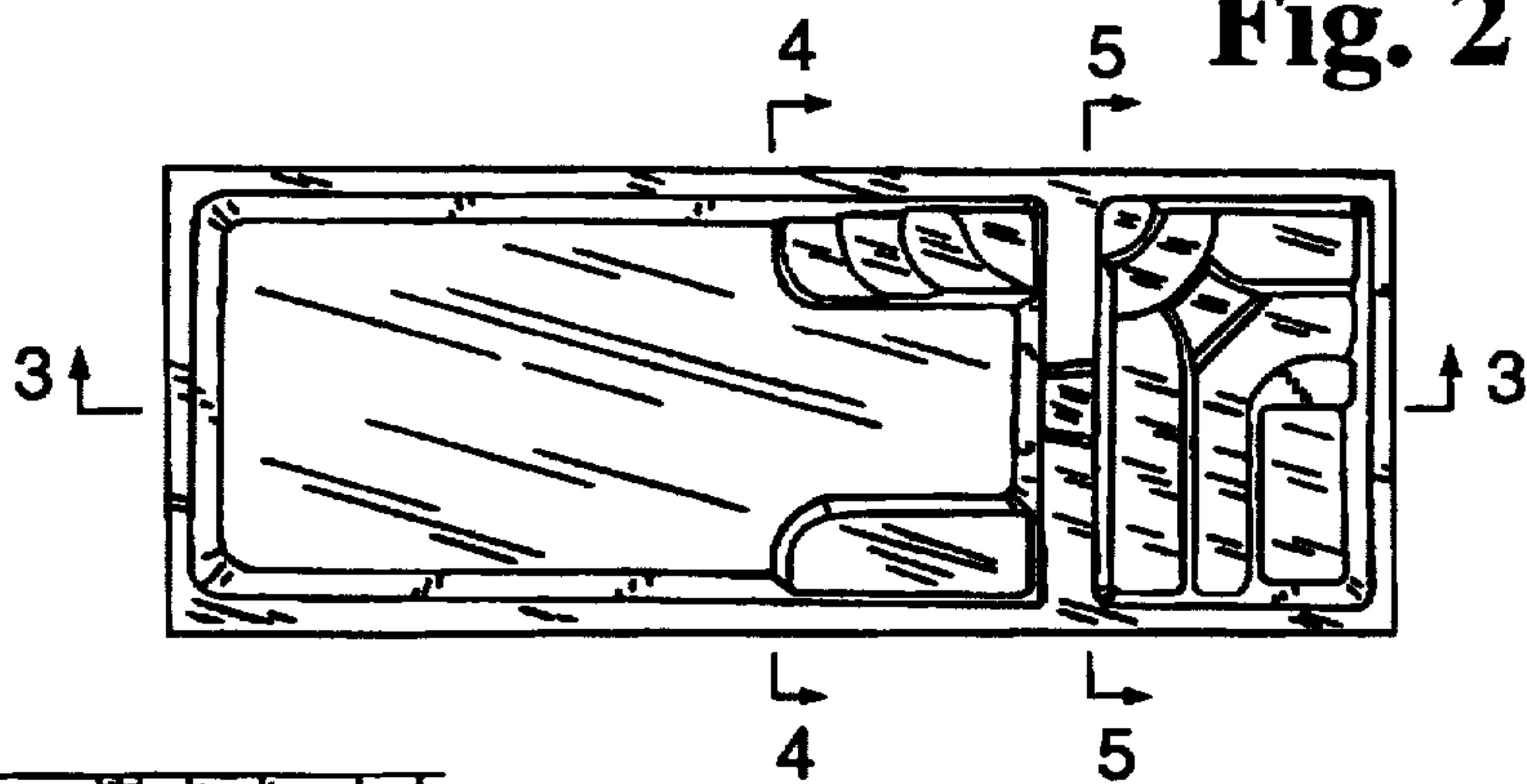


Fig. 3



Fig. 4

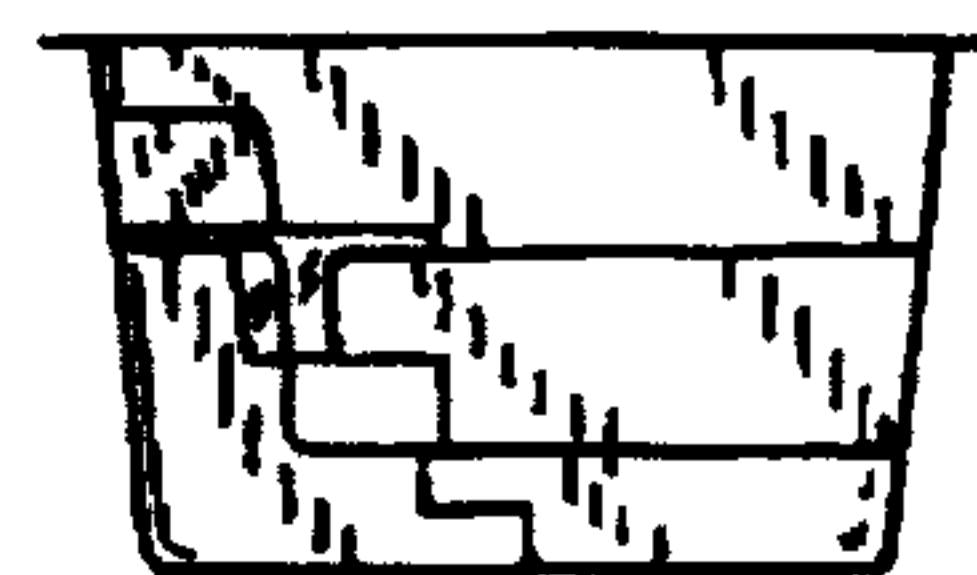


Fig. 5