



US00D408546S

United States Patent [19]

[11] Patent Number: **Des. 408,546**

Carreau

[45] Date of Patent: ****Apr. 20, 1999**

[54] **ABOVE-GROUND SWIMMING POOL**

[76] Inventor: **Pierre R. Carreau**, 2435 Venice Dr. E.
Suite 160, South Lake Tahoe, Calif.
96150

[**] Term: **14 Years**

[21] Appl. No.: **29/076,466**

[22] Filed: **Sep. 15, 1997**

[51] LOC (6) Cl. **25-03**

[52] U.S. Cl. **D25/2**

[58] Field of Search **D25/2; 4/487,**
4/488; D24/201, 204, 205

[56] **References Cited**

U.S. PATENT DOCUMENTS

D. 334,238 3/1993 Spedini **D25/2**
4,935,970 6/1990 Aristone **4/488**

OTHER PUBLICATIONS

Brochure entitled, Sofpool "The New Generation of Pools"
The Pool of the Future "Today", published Sep. 1994 by
Sofpool.

Primary Examiner—Doris Clark
Attorney, Agent, or Firm—Lothrop & West

[57] **CLAIM**

The ornamental design for an above-ground swimming pool,
as shown and described.

DESCRIPTION

FIG. 1 is a perspective view of an above-ground swimming
pool, showing my new design;

FIG. 2 is a top plan view, thereof;

FIG. 3 is is a front elevational view, thereof;

FIG. 4 is a bottom plan view, thereof; and,

FIG. 5 is a side elevational view, thereof;

FIG. 6 is a perspective view of a second embodiment of an
above-ground swimming pool;

FIG. 7 is a top plan view, thereof;

FIG. 8 is a front elevational view, thereof, the side eleva-
tional view being substantially identical, thereto; and,

FIG. 9 is a bottom plan view, thereof;

FIG. 10 is a perspective view of a third embodiment of an
above-ground swimming pool;

FIG. 11 is a top plan view, thereof;

FIG. 12 is a front elevational view, thereof;

FIG. 13 is a bottom plan view, thereof; and,

FIG. 14 is a side elevational view thereof;

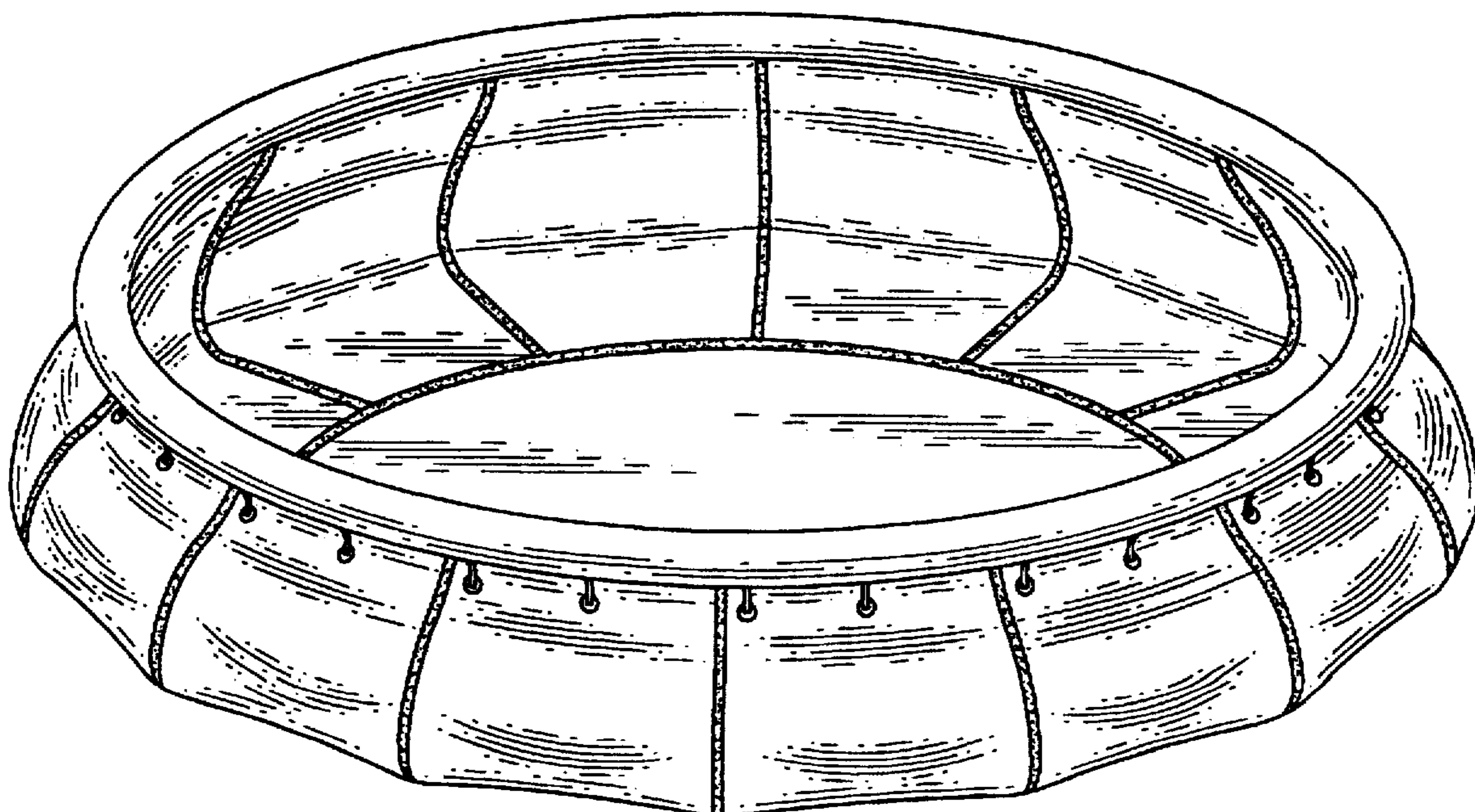
FIG. 15 is a perspective view of a fourth embodiment of an
above-ground swimming pool;

FIG. 16 is a top plan view, thereof;

FIG. 17 is a front elevational view, thereof, the side eleva-
tional view being substantially identical, thereto; and,

FIG. 18 is a bottom plan view, thereof.

1 Claim, 8 Drawing Sheets



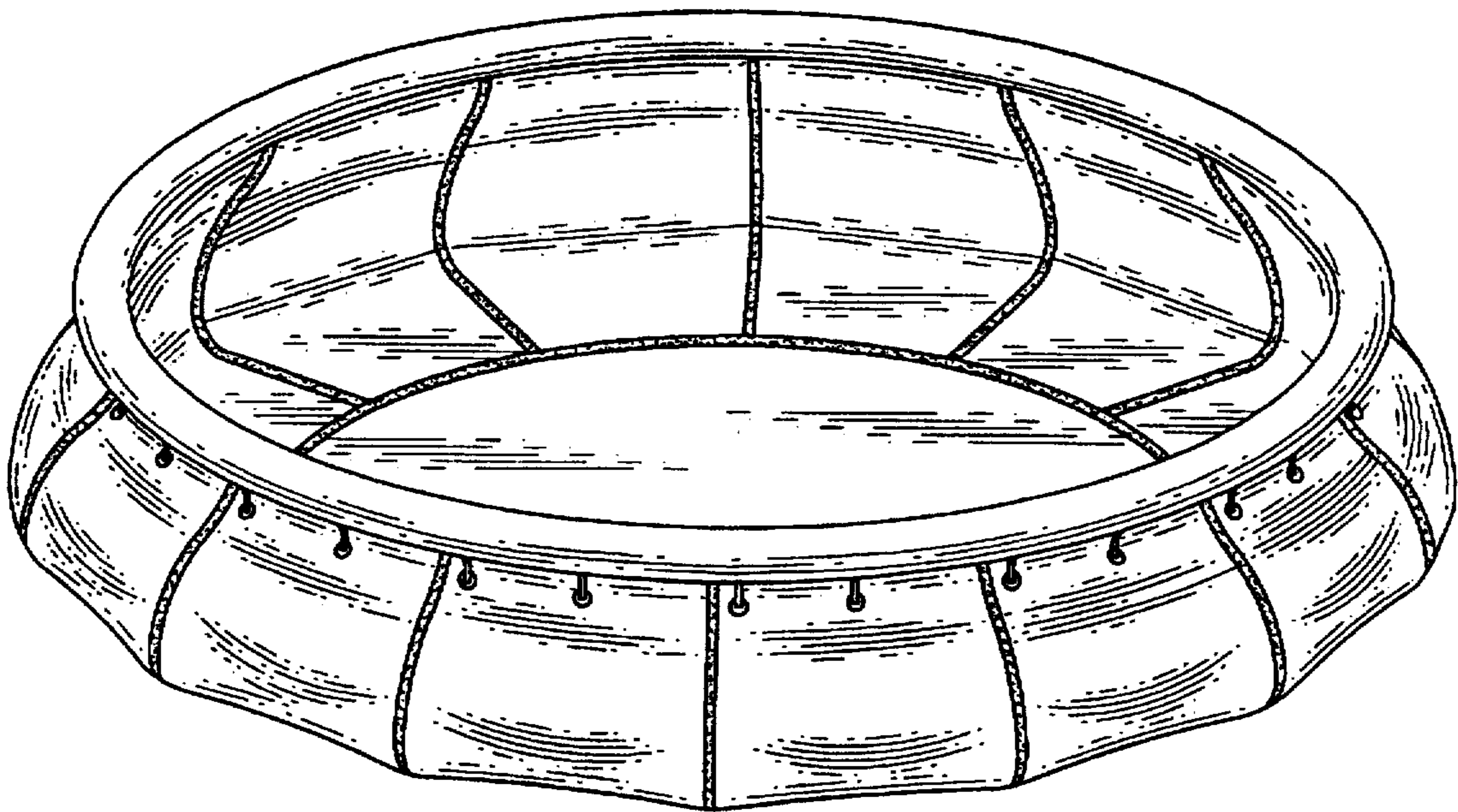


Fig. 1

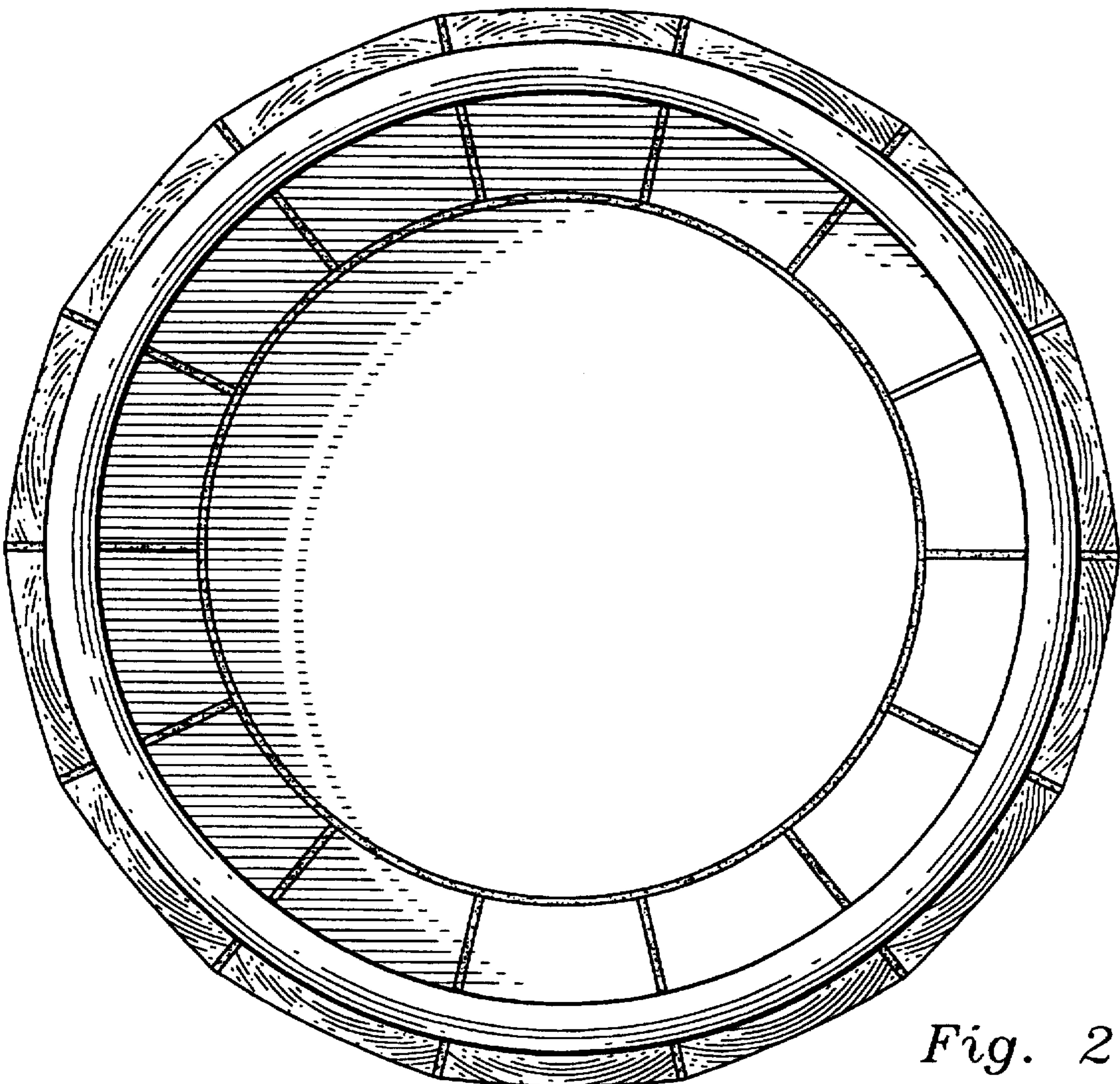


Fig. 2

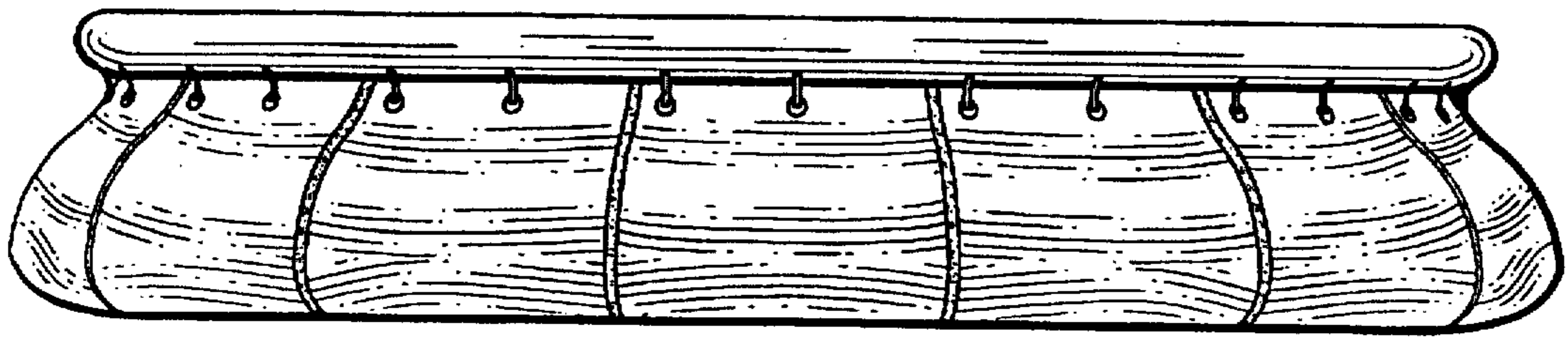


Fig. 3

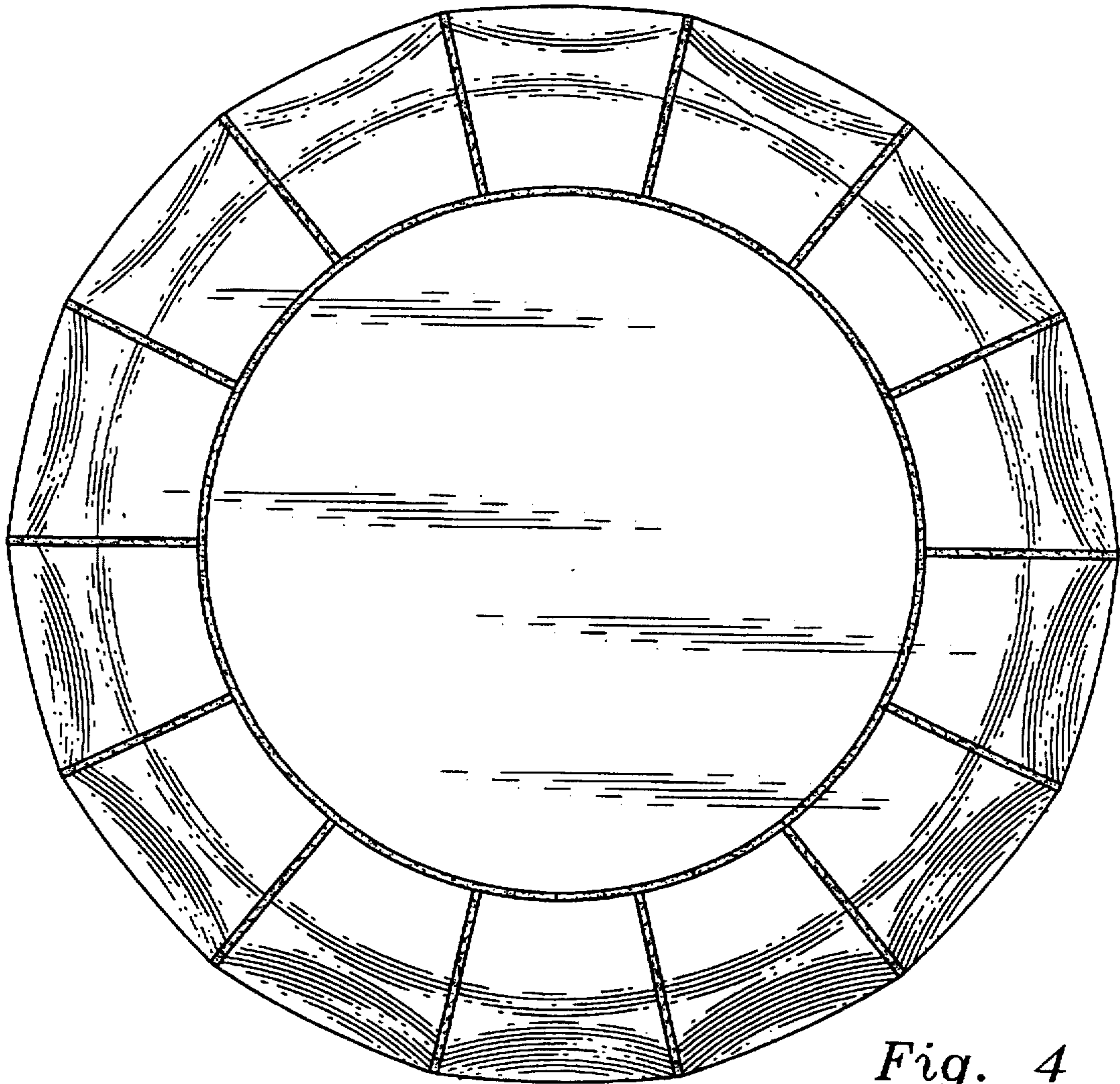


Fig. 4

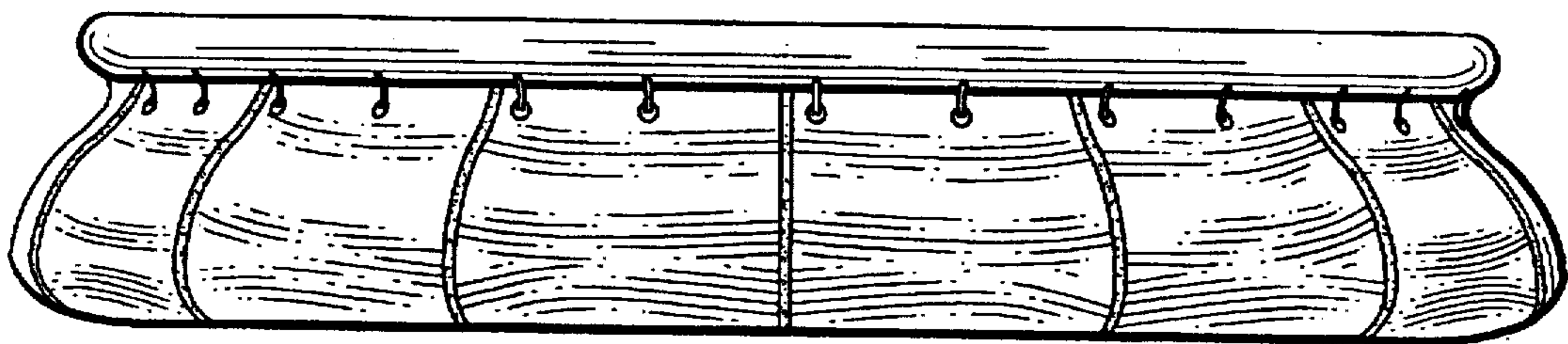


Fig. 5

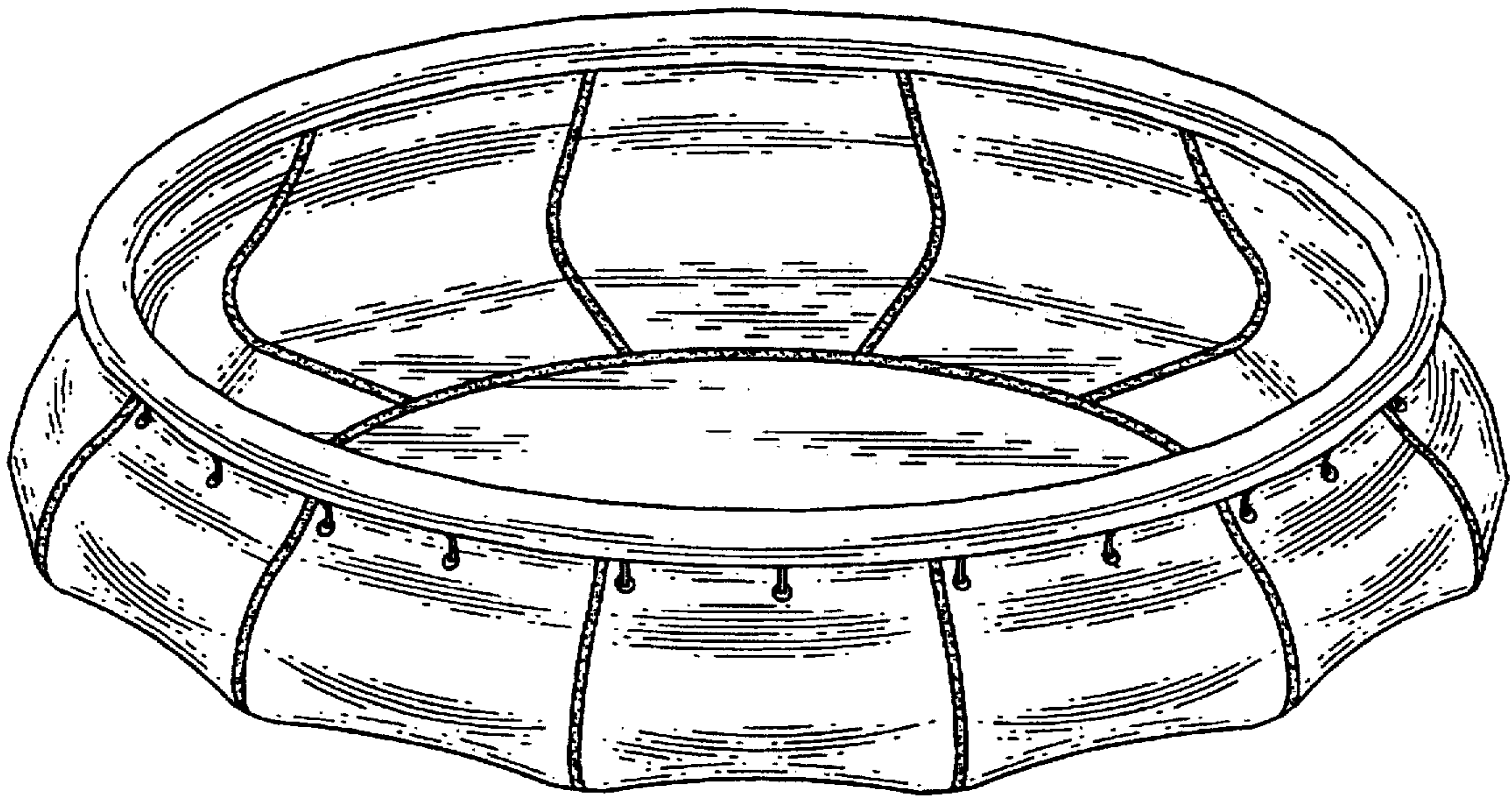


Fig. 6

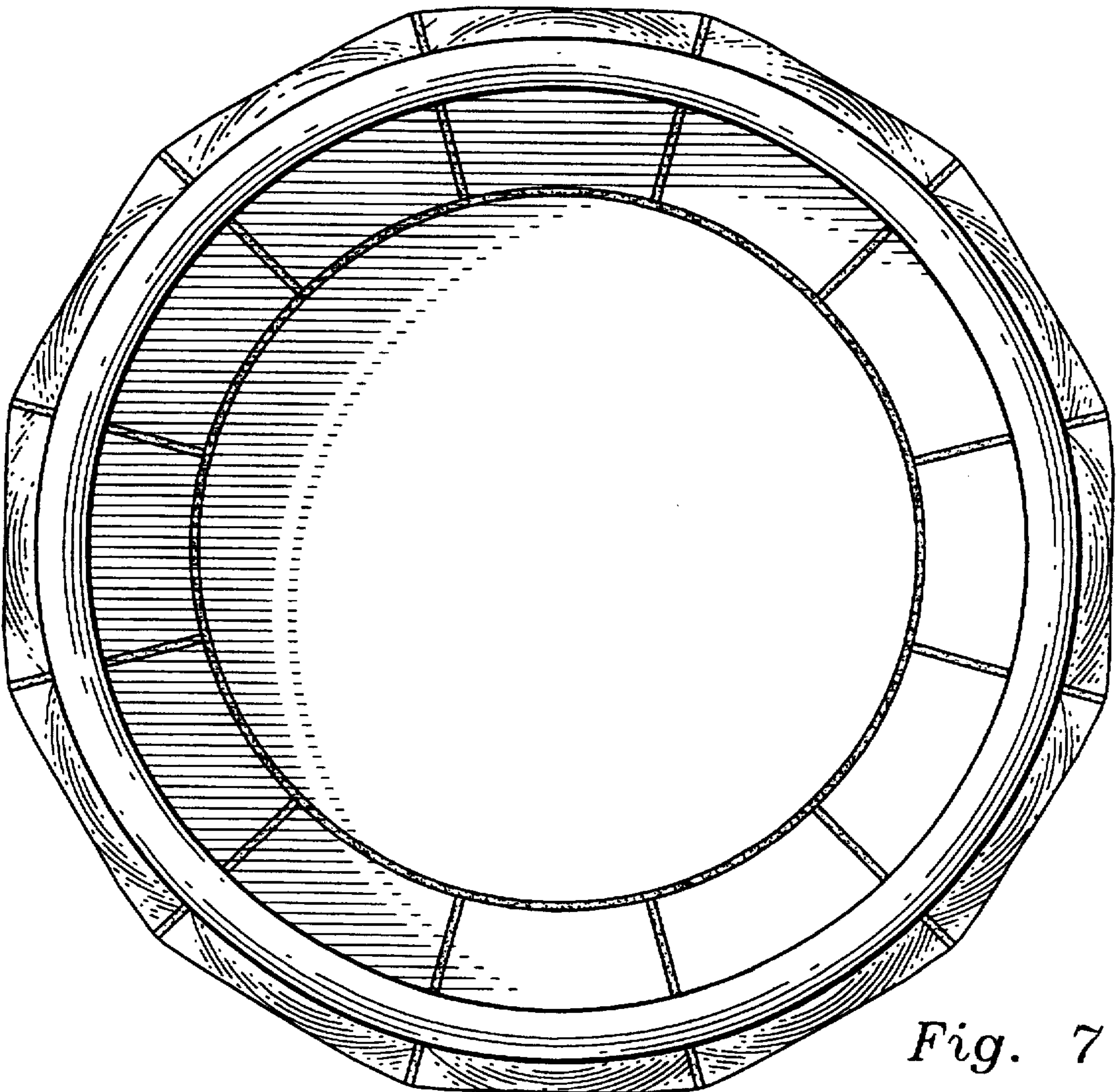


Fig. 7

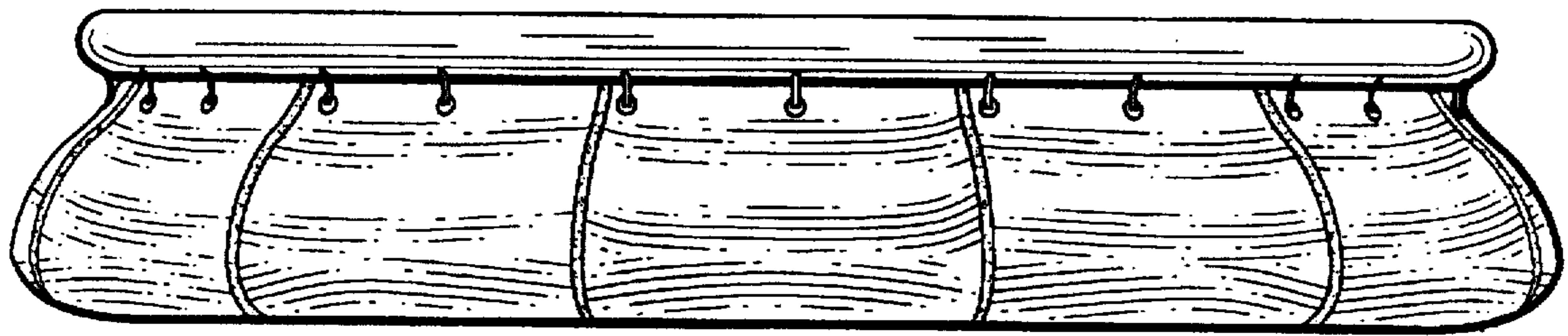


Fig. 8

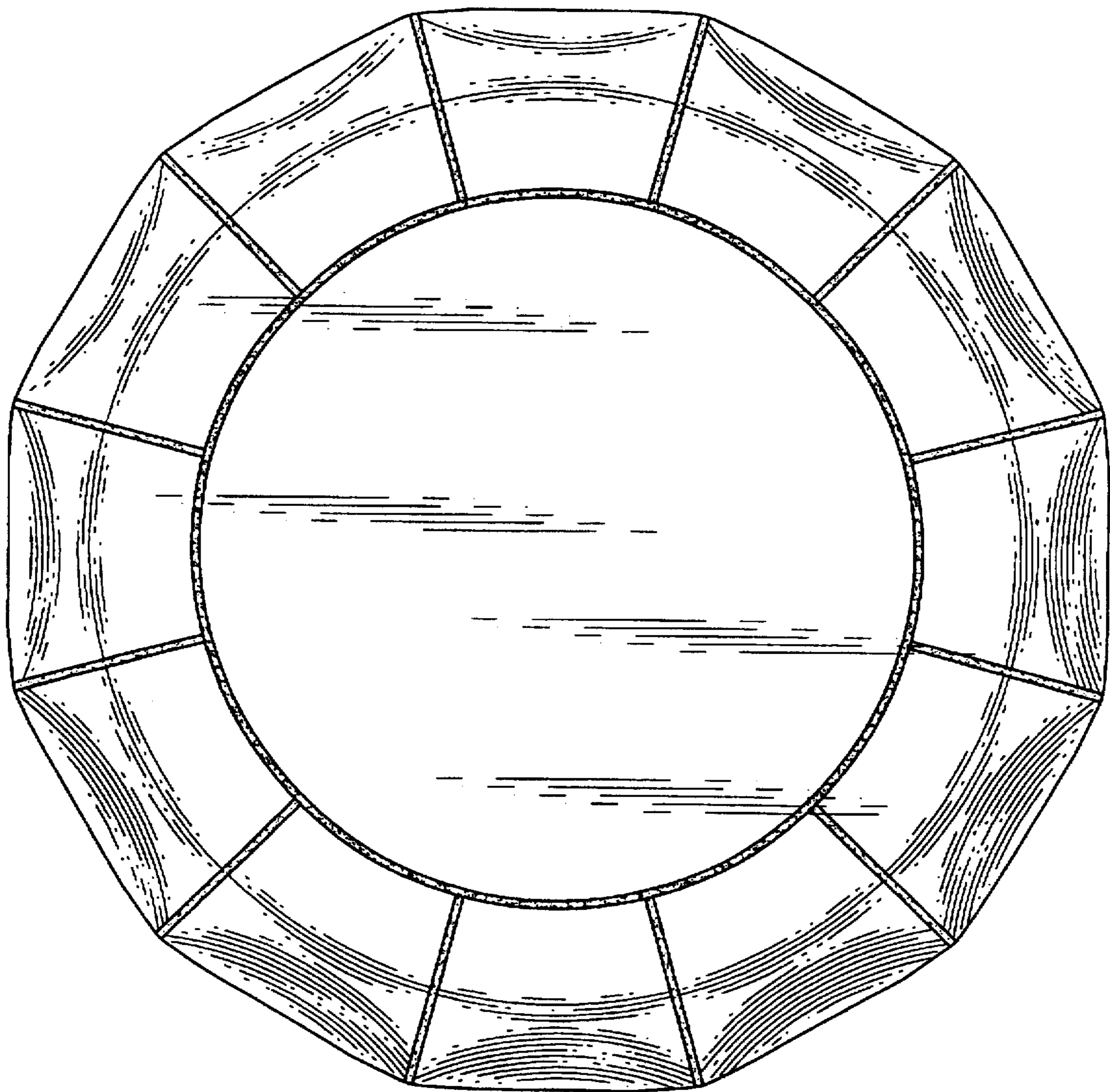


Fig. 9

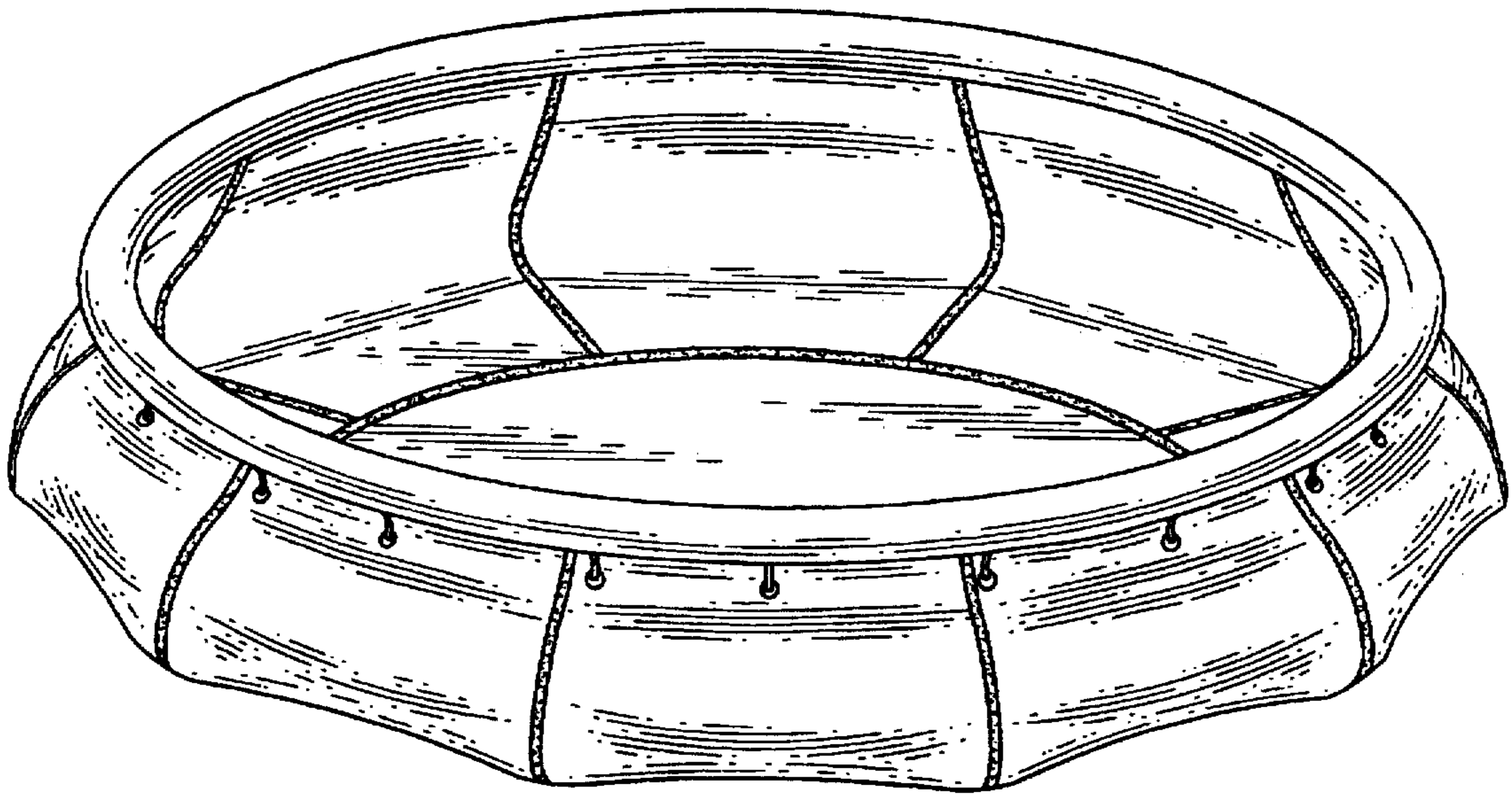


Fig. 10

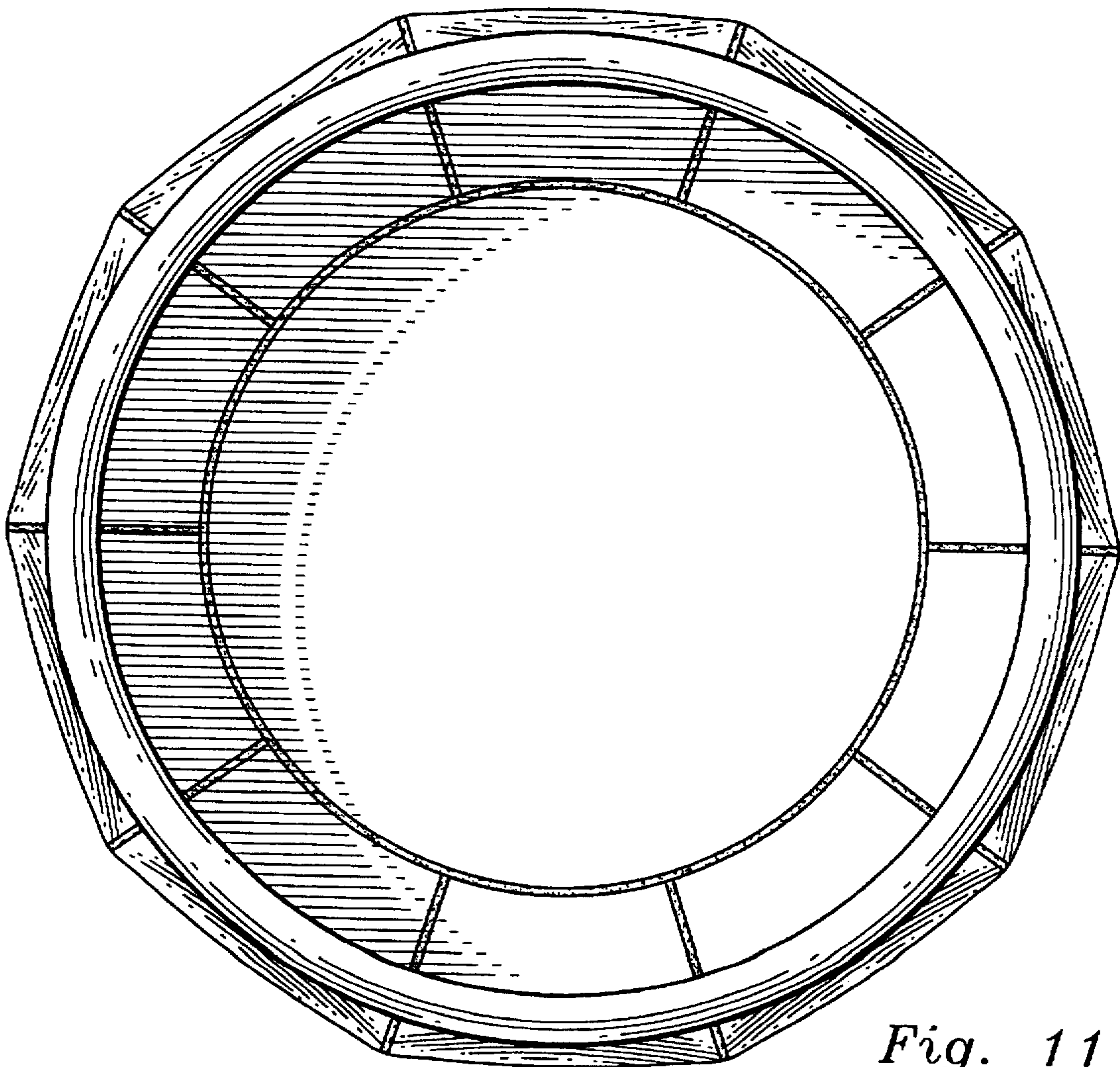


Fig. 11

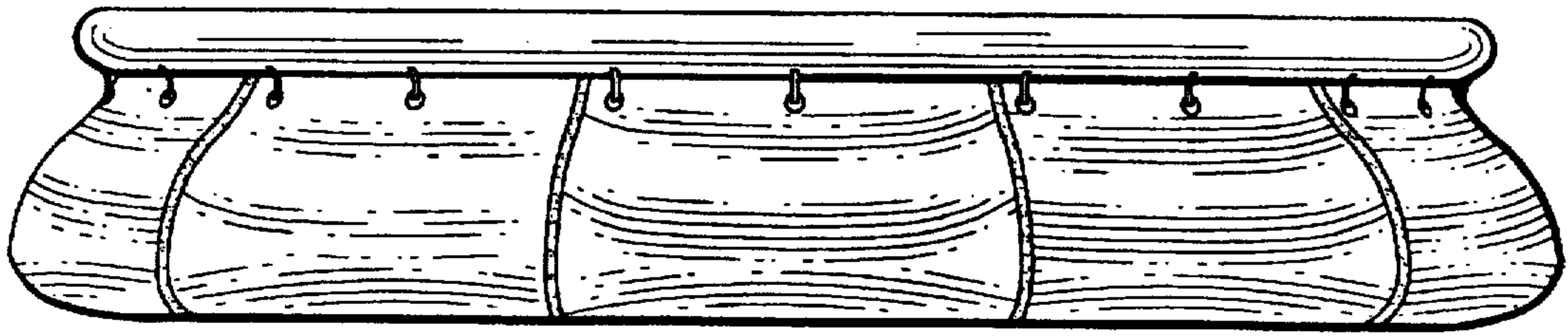


Fig. 12

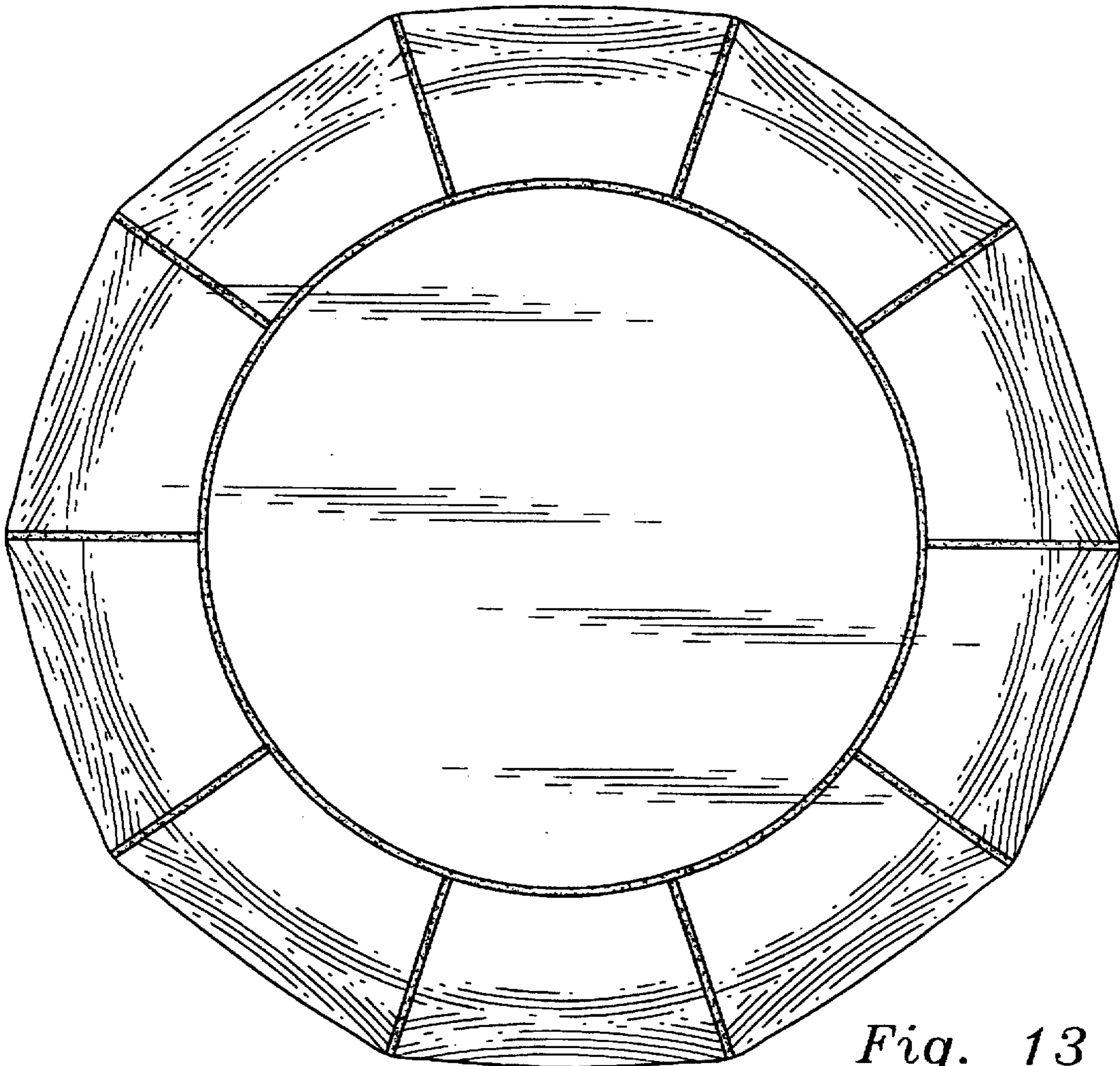


Fig. 13

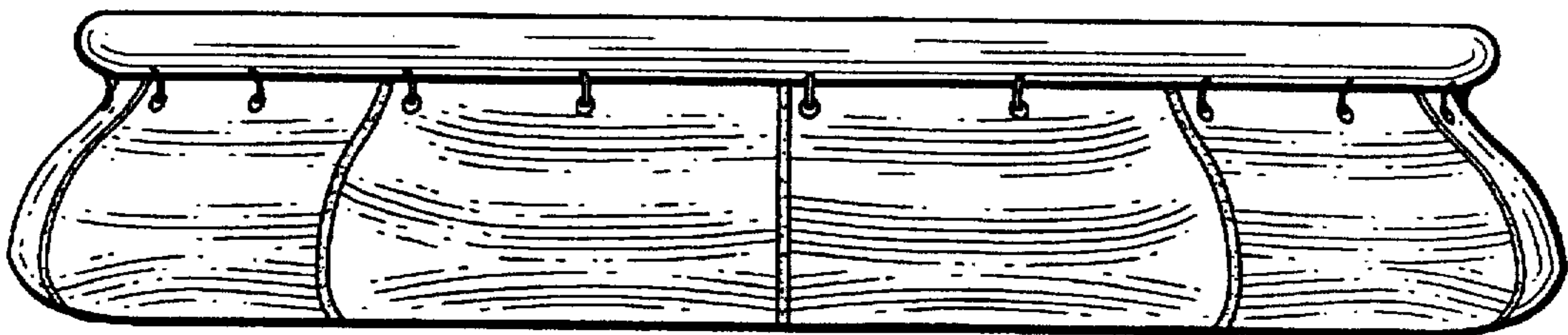


Fig. 14

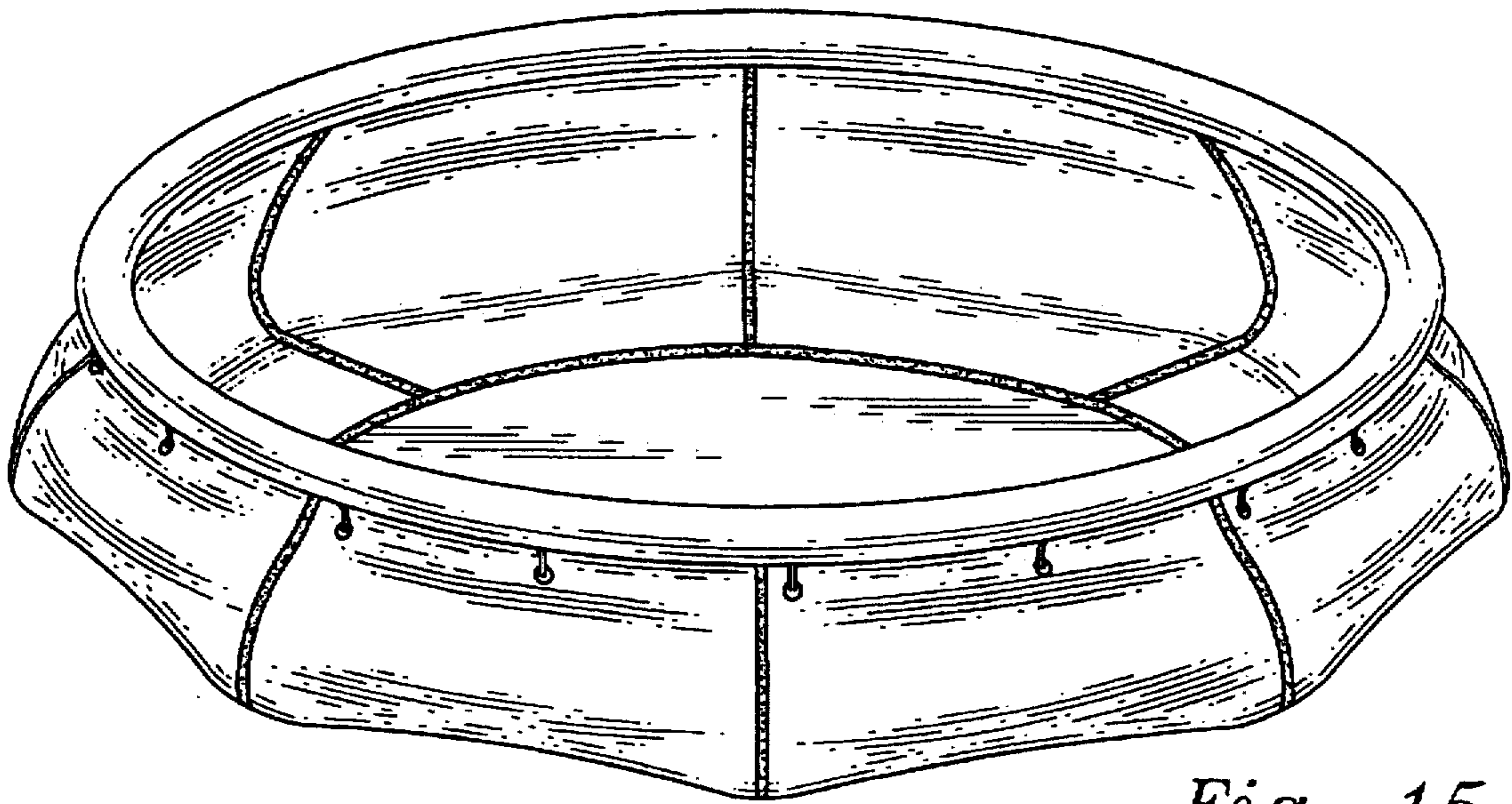


Fig. 15

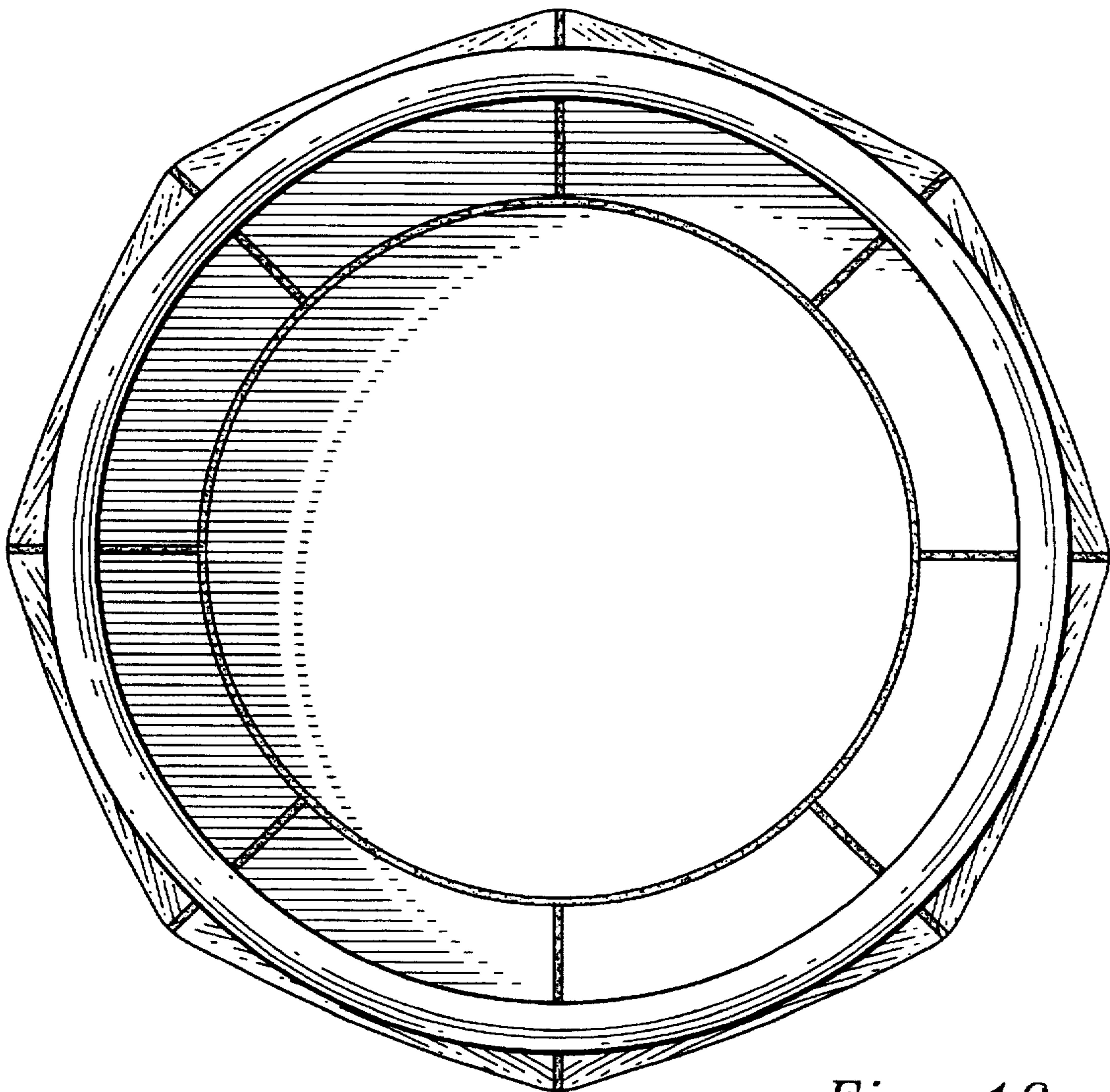


Fig. 16

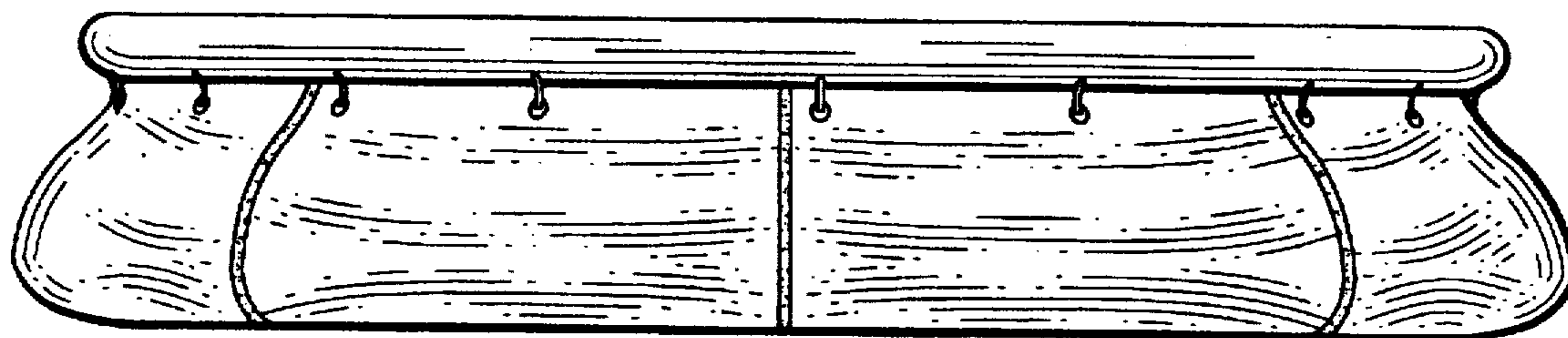


Fig. 17

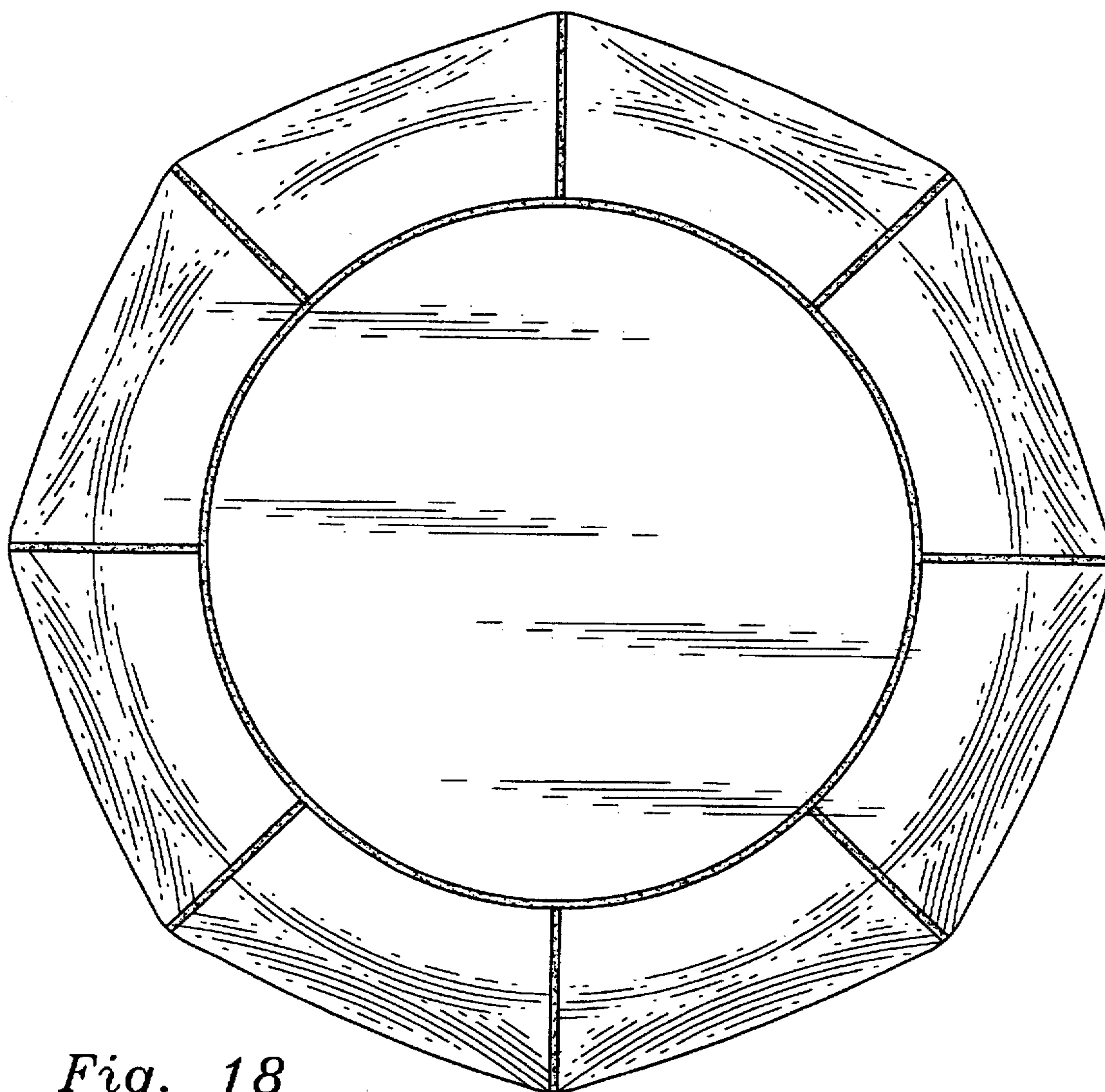


Fig. 18