



US00D408535S

# United States Patent [19]

[11] Patent Number: **Des. 408,535**

Hacker

[45] Date of Patent: **\*\*Apr. 20, 1999**

[54] **SENSOR CASSETTE FOR BLOOD GAS MEASUREMENT**

4,444,498	4/1984	Heinemann .....	356/246
4,640,820	2/1987	Cooper .....	422/68
4,745,279	5/1988	Karkar et al. ....	250/343
4,786,474	11/1988	Cooper .....	422/68
5,104,623	4/1992	Miller .....	422/82.06
5,128,019	7/1992	Karpf et al. ....	204/416
5,171,029	12/1992	Maxwell et al. ....	277/212 R
5,289,255	2/1994	Mullin et al. ....	356/246

[75] Inventor: **Thomas G. Hacker, Anaheim, Calif.**

[73] Assignee: **Minnesota Mining and Manufacturing Company, St. Paul, Minn.**

[\*\*] Term: **14 Years**

### FOREIGN PATENT DOCUMENTS

0 399 227 11/1990 European Pat. Off. .

[21] Appl. No.: **29/084,335**

*Primary Examiner*—Stella Reid  
*Attorney, Agent, or Firm*—F. Andrew Ubel

[22] Filed: **Feb. 26, 1998**

### Related U.S. Application Data

### [57] CLAIM

[63] Continuation-in-part of application No. 08/810,954, Feb. 27, 1997, abandoned.

The ornamental design for a sensor cassette for blood gas measurement, as shown and described.

[51] LOC (6) CL ..... **24-01**

### DESCRIPTION

[52] U.S. Cl. .... **D24/169**

[58] Field of Search ..... D24/165, 169, D24/164, 129; 422/68.1, 81, 82, 86, 48, 55, 57, 82.06, 82.07, 101; 210/103, 232, 445; 436/68, 138, 172; 356/246, 39-41

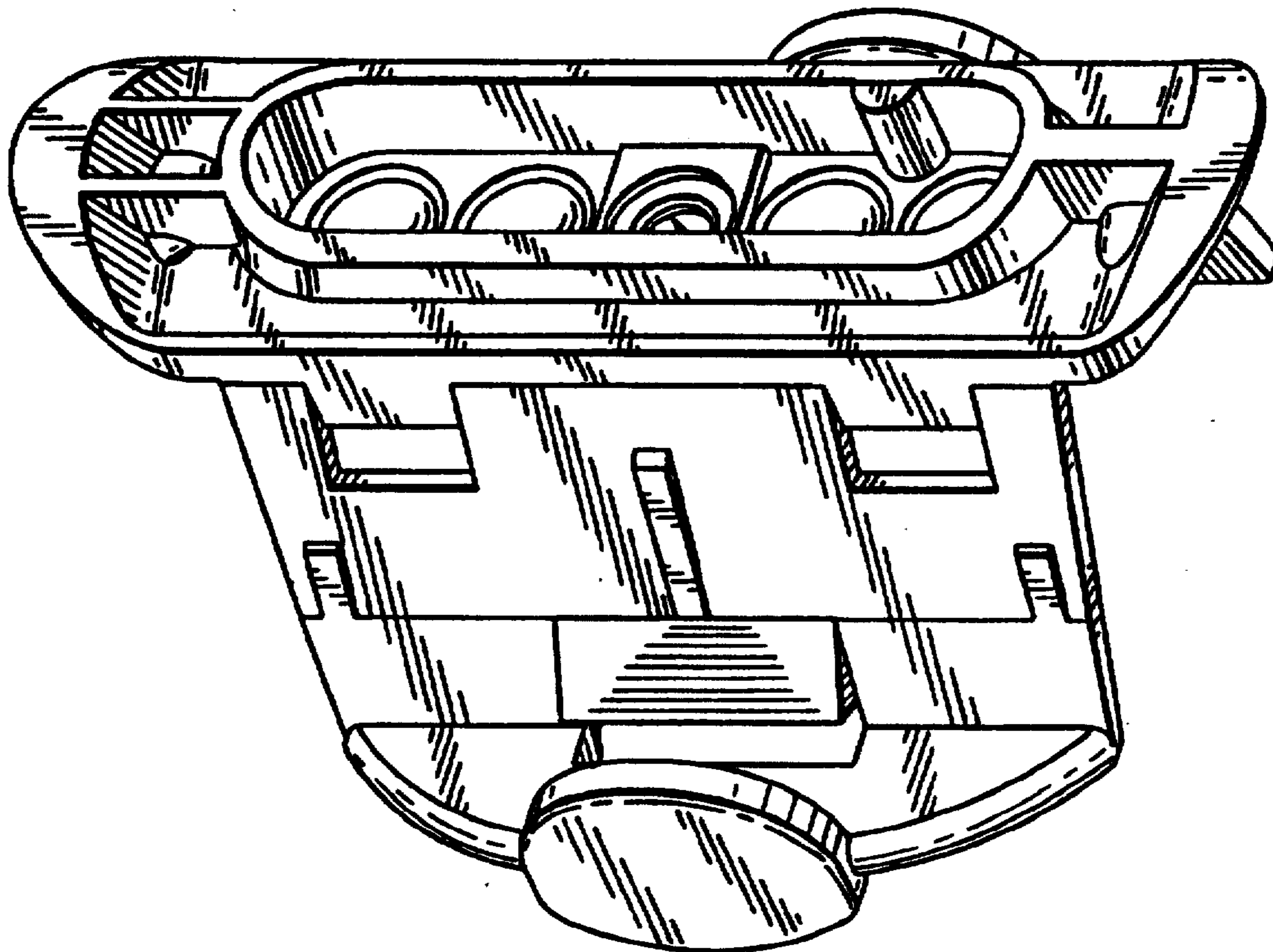
FIG. 1 is a first perspective view of a sensor cassette for blood gas measurement showing my new design;  
FIG. 2 is a second perspective view thereof;  
FIG. 3 is a first end view thereof;  
FIG. 4 is a left side view thereof, the right side view being a mirror image thereof;  
FIG. 5 is a second end view thereof;  
FIG. 6 is a top view thereof; and,  
FIG. 7 is a bottom view thereof.

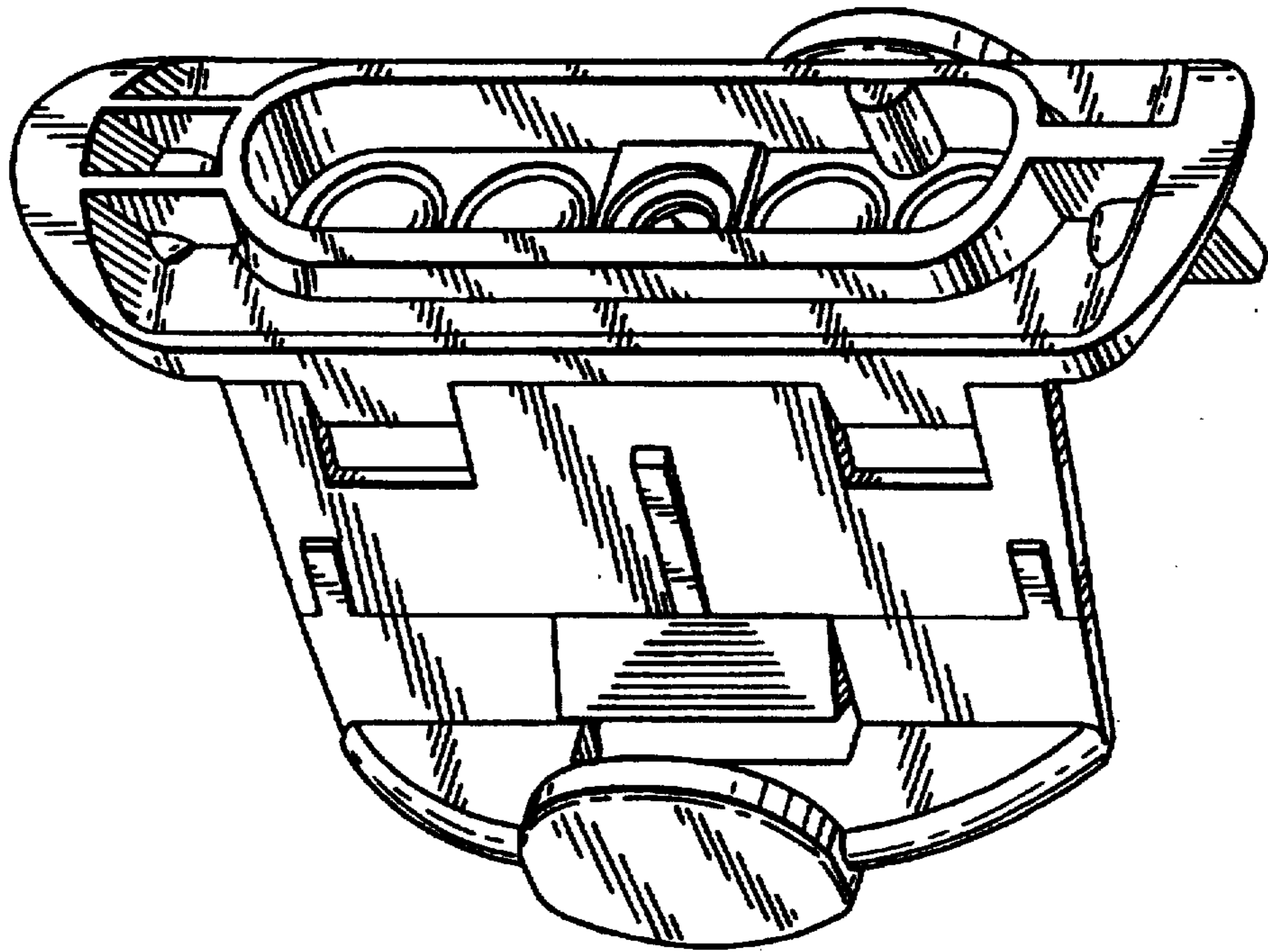
### [56] References Cited

#### U.S. PATENT DOCUMENTS

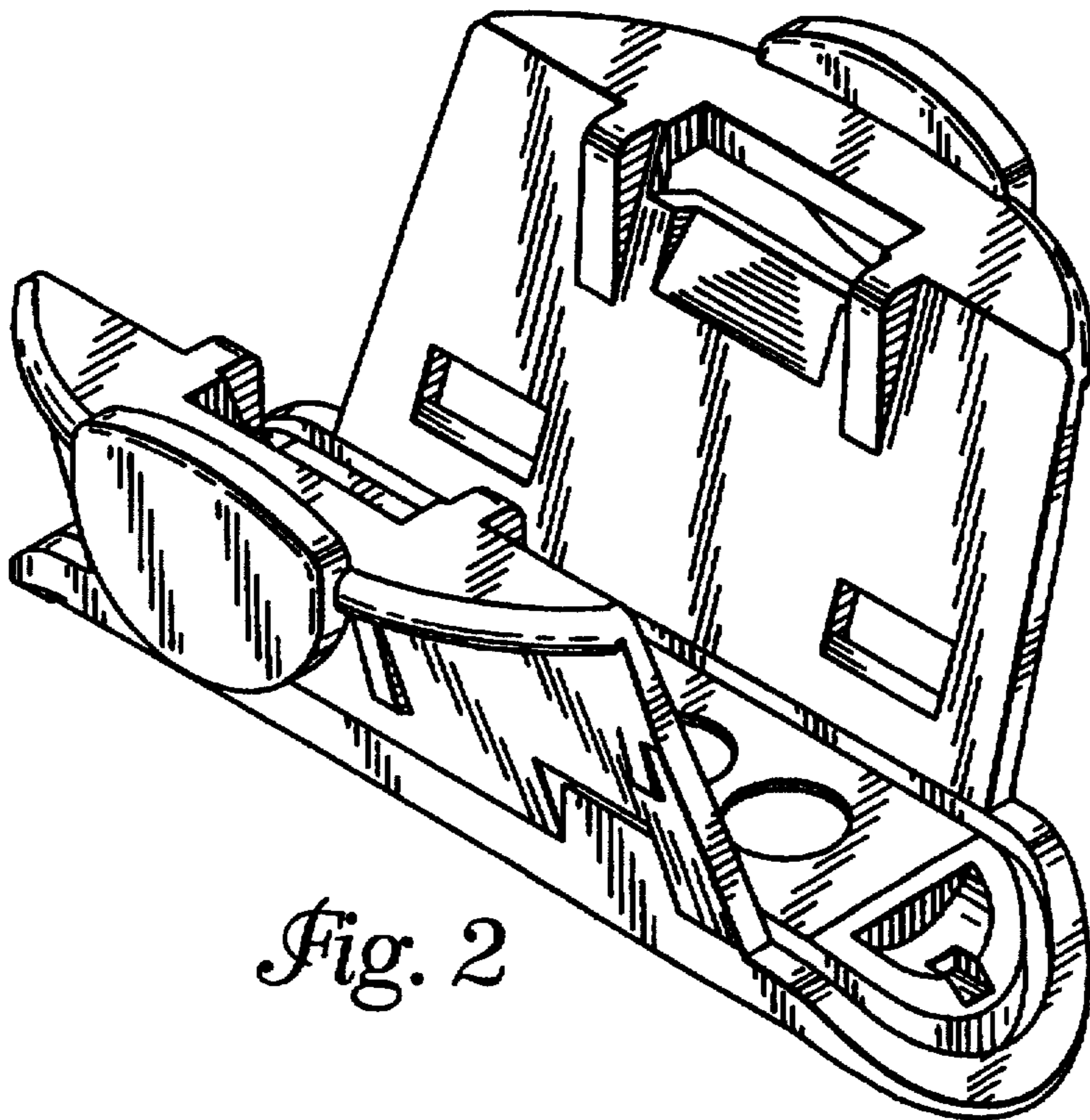
D. 326,718	6/1992	Maxwell et al. ....	D24/169
D. 348,734	7/1994	Arp .....	D24/224
D. 353,198	12/1994	Blasdell et al. ....	D24/164

**1 Claim, 3 Drawing Sheets**

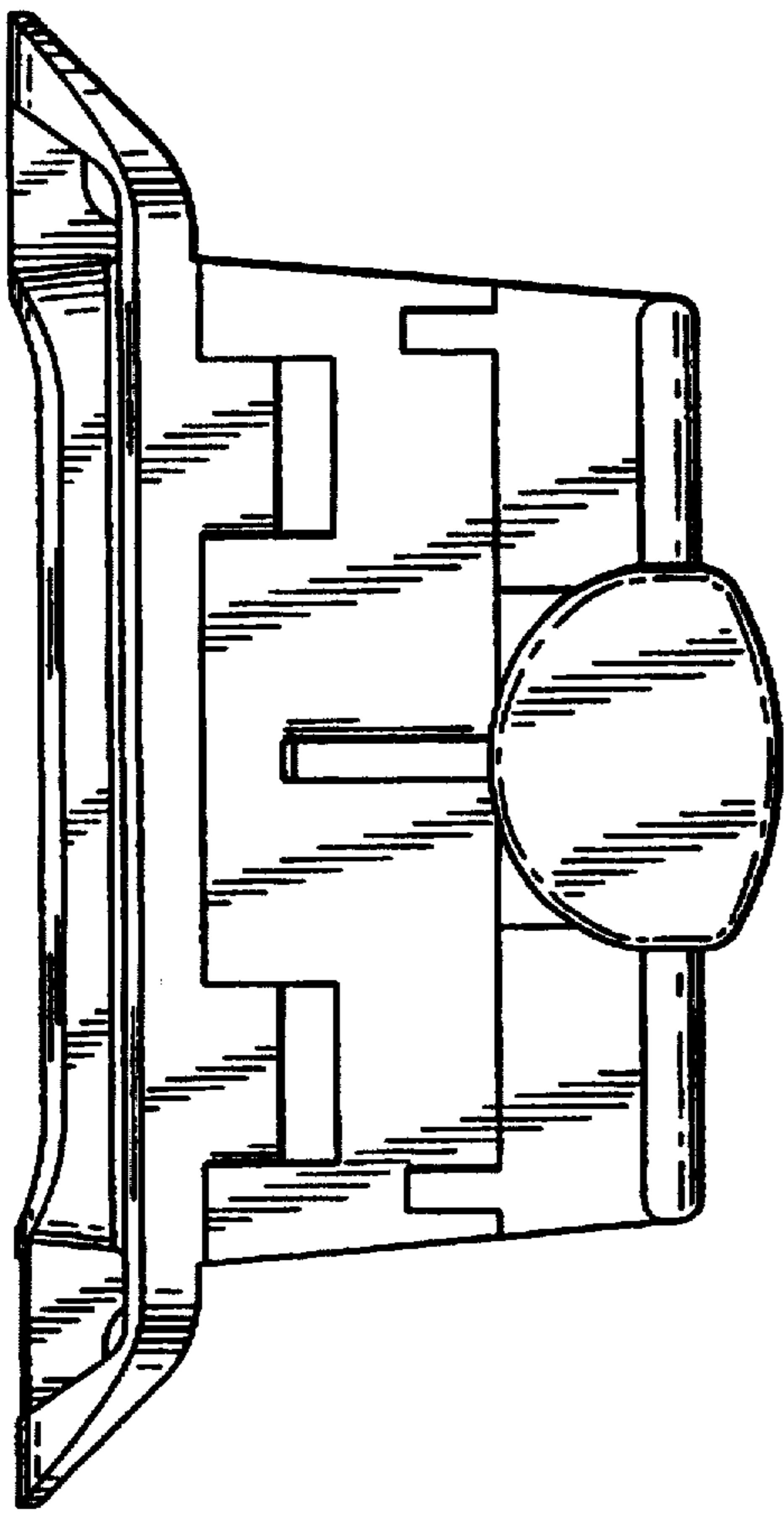




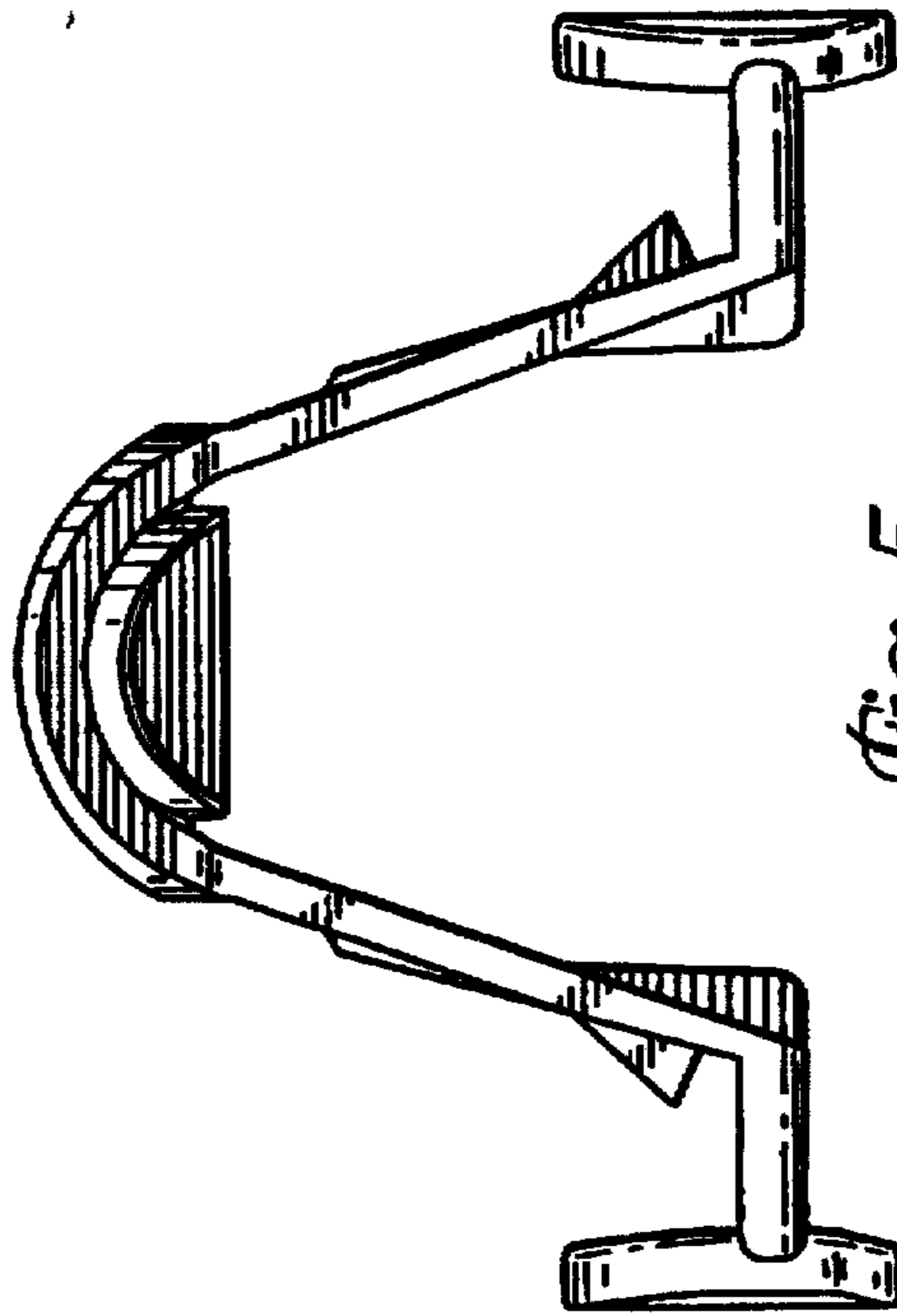
*Fig. 1*



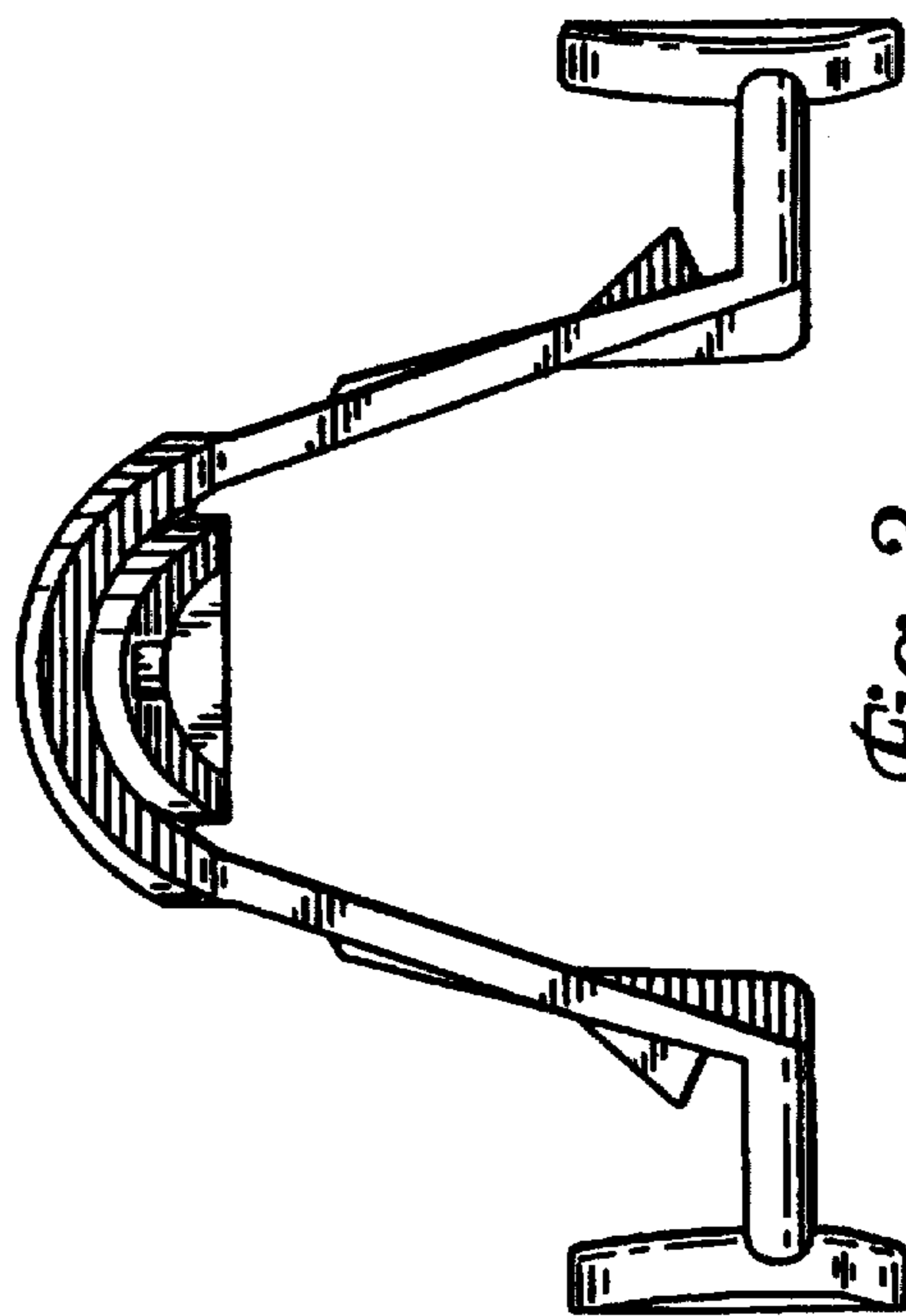
*Fig. 2*



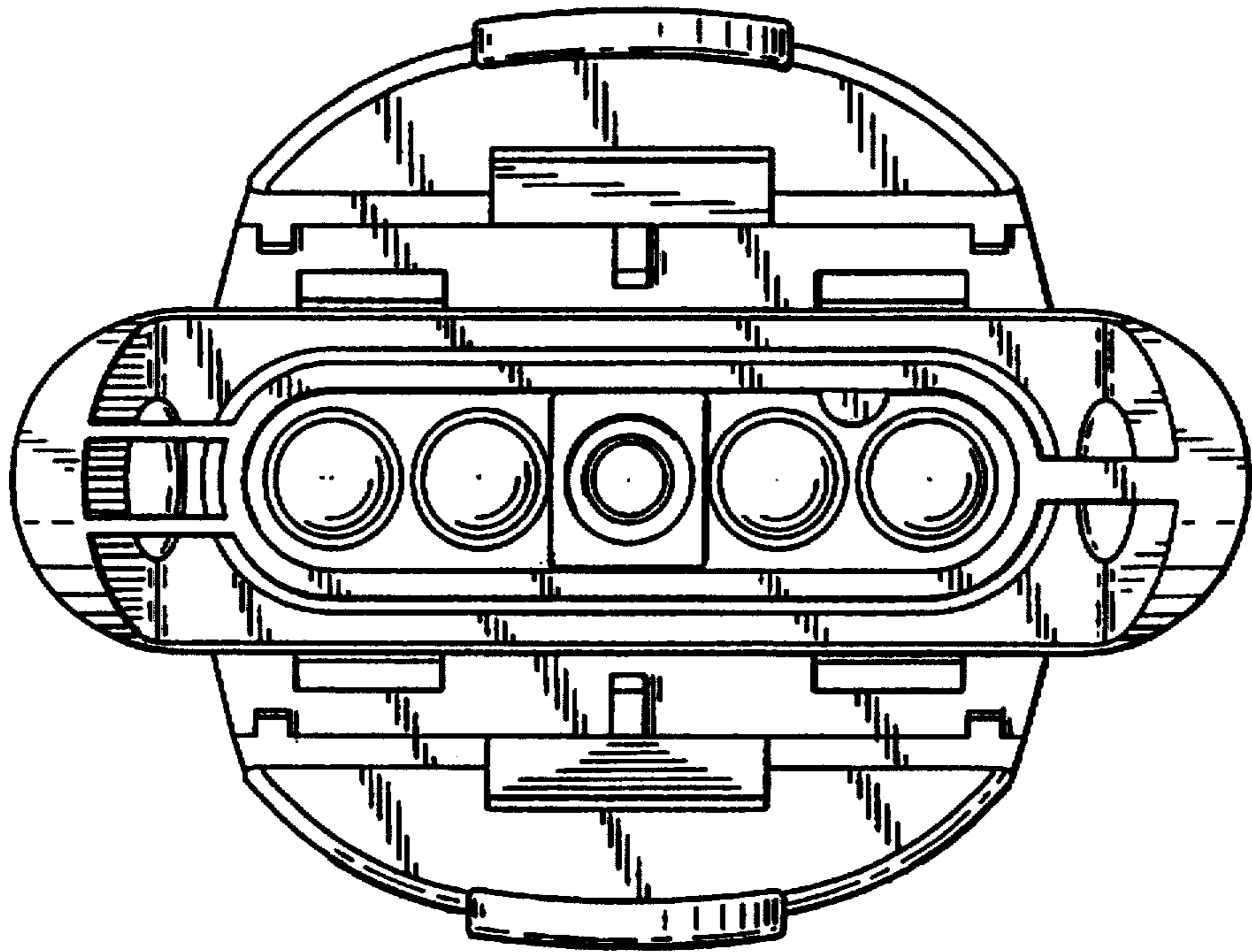
*Fig. 4*



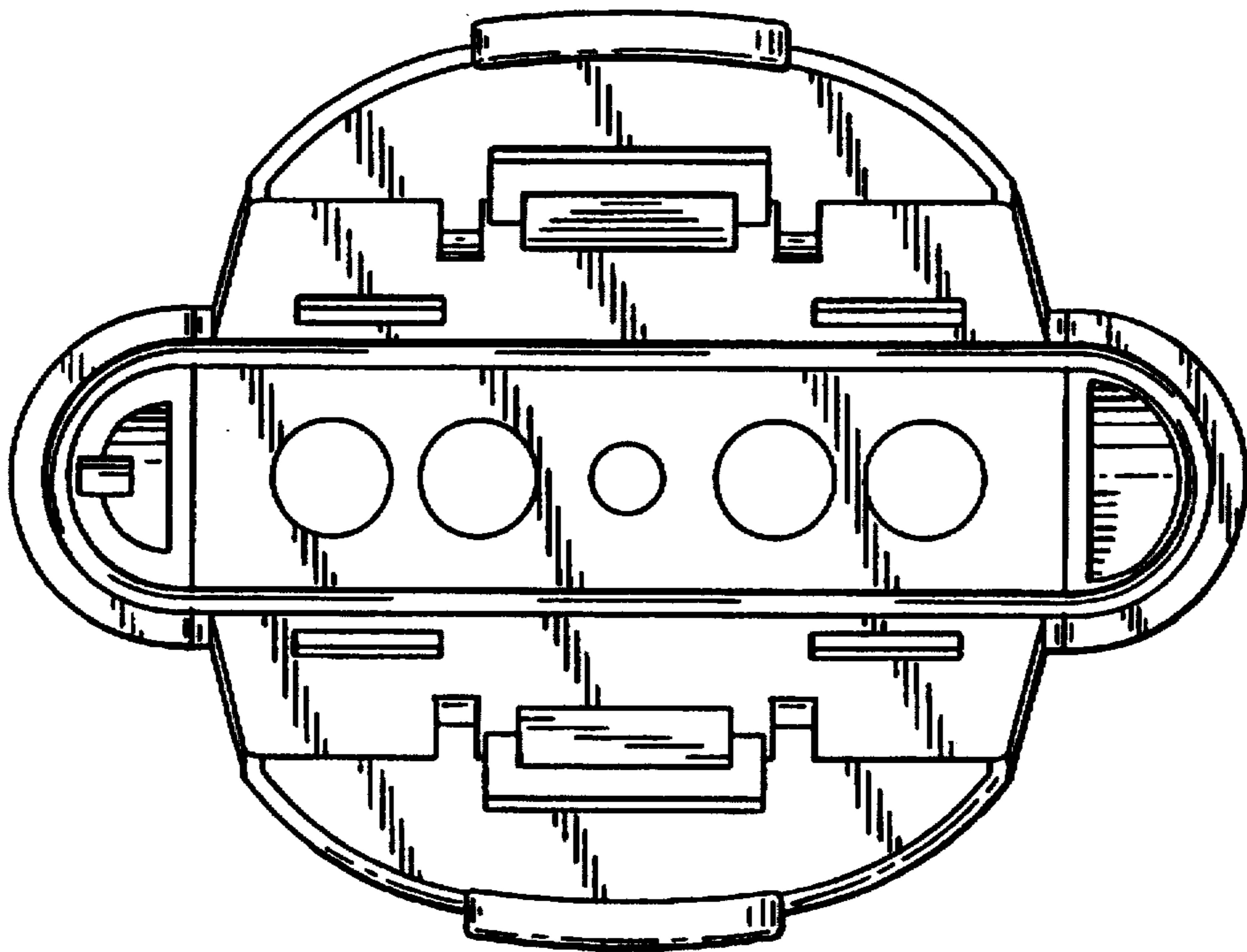
*Fig. 5*



*Fig. 3*



*Fig. 6*



*Fig. 7*