



US00D408531S

# United States Patent [19] King

[11] Patent Number: Des. 408,531

[45] Date of Patent: \*\*Apr. 20, 1999

[54] **THREE BARREL POWER VACCINATOR**

[75] Inventor: **Bruce Allen King**, Sioux Center, Iowa

[73] Assignee: **Boehringer Ingelheim Vetmedica, Inc.**, St. Joseph, Mo.

[\*\*] Term: **14 Years**

[21] Appl. No.: **29/089,164**

[22] Filed: **Jun. 9, 1998**

[51] LOC (6) Cl. .... **24-02**

[52] U.S. Cl. .... **D24/114**

[58] Field of Search ..... **D24/114, 117, D24/112, 113, 146; 604/72, 68, 71, 69, 191**

[56] **References Cited**

**U.S. PATENT DOCUMENTS**

- D. 368,773 4/1996 Atkinson et al. .... D24/112
- D. 380,544 7/1997 Andock ..... D24/112 X
- D. 380,827 7/1997 Stringer et al. .... D24/112
- 3,467,096 9/1969 Hom .

- 4,067,334 1/1978 Haller .
- 4,301,795 11/1981 Zimmermann .
- 4,642,095 2/1987 Dettbarn et al. .... 604/72
- 4,680,027 7/1987 Parsons et al. .... 604/68

*Primary Examiner*—Susan J. Lucas  
*Assistant Examiner*—Cynthia Ramirez  
*Attorney, Agent, or Firm*—R. P. Raymond; M-E. M. Devlin; A. R. Stempel

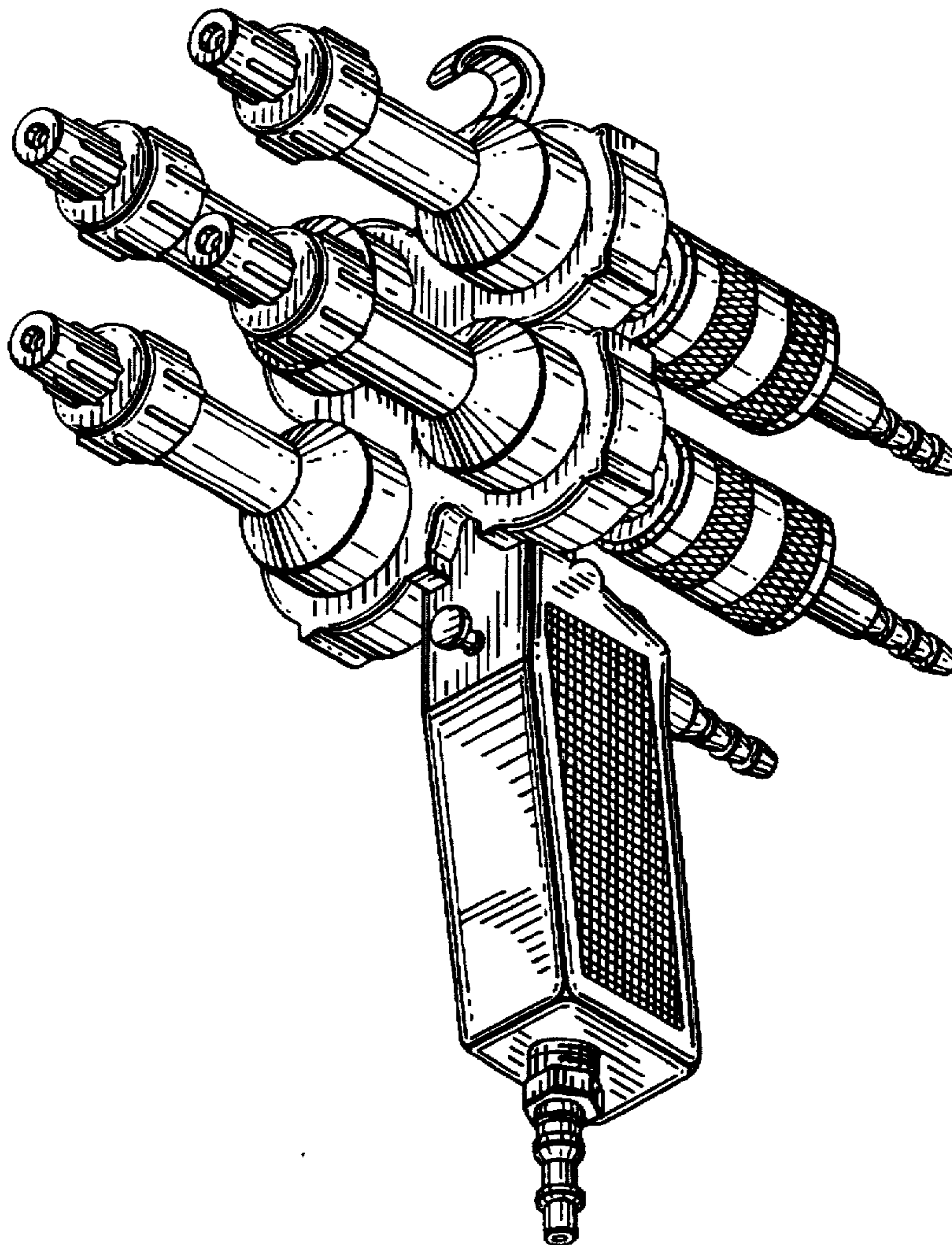
[57] **CLAIM**

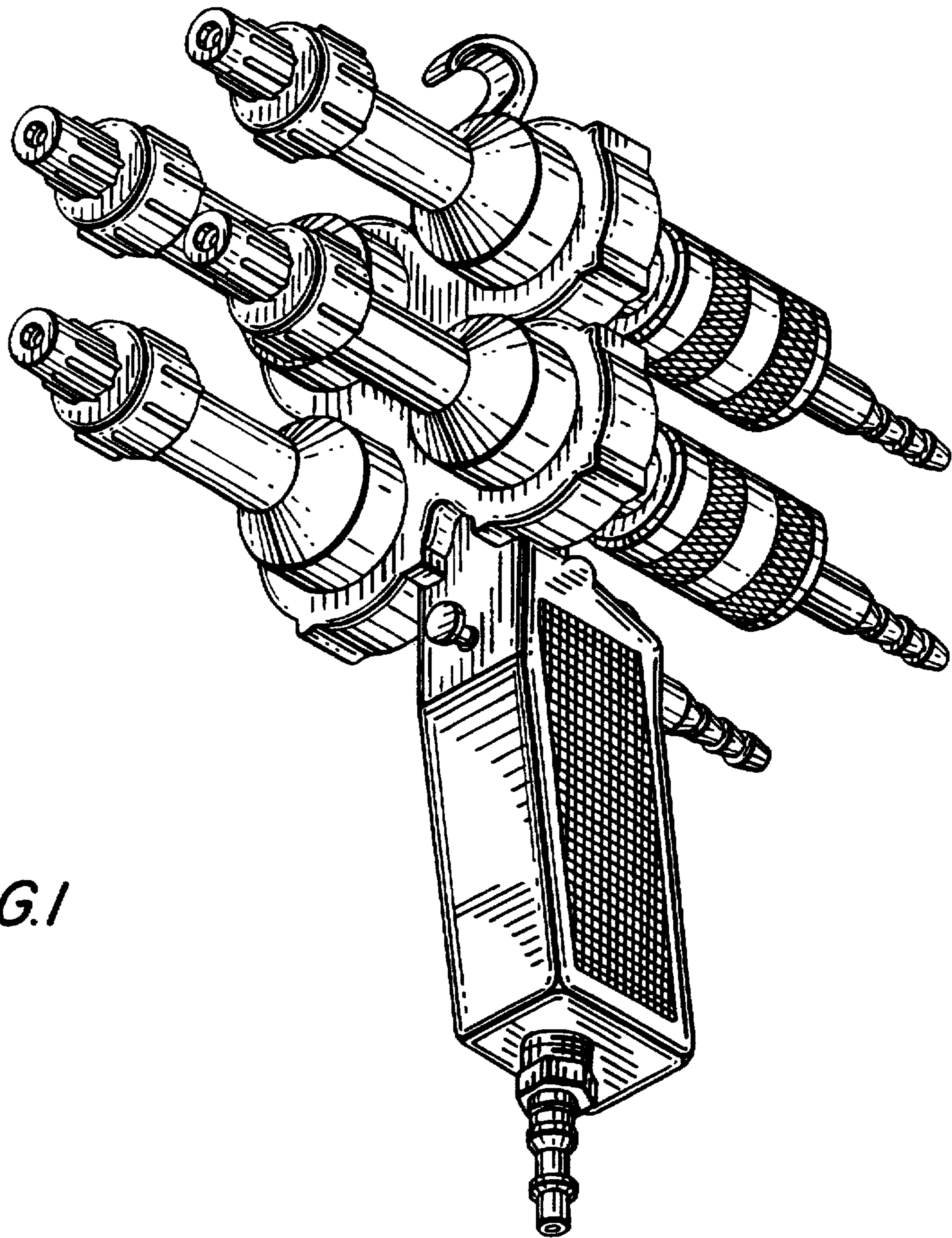
The ornamental design for the three barrel power vaccinator, as shown and described.

**DESCRIPTION**

FIG. 1 is a front perspective view of the three barrel power vaccinator according to my design;  
FIG. 2 is a right side view of my design which is a mirror image of the left side view;  
FIG. 3 is a front view of my design;  
FIG. 4 is a top view of my design;  
FIG. 5 is a bottom view of my design; and,  
FIG. 6 is a back view of my design.

**1 Claim, 5 Drawing Sheets**





*FIG. 1*

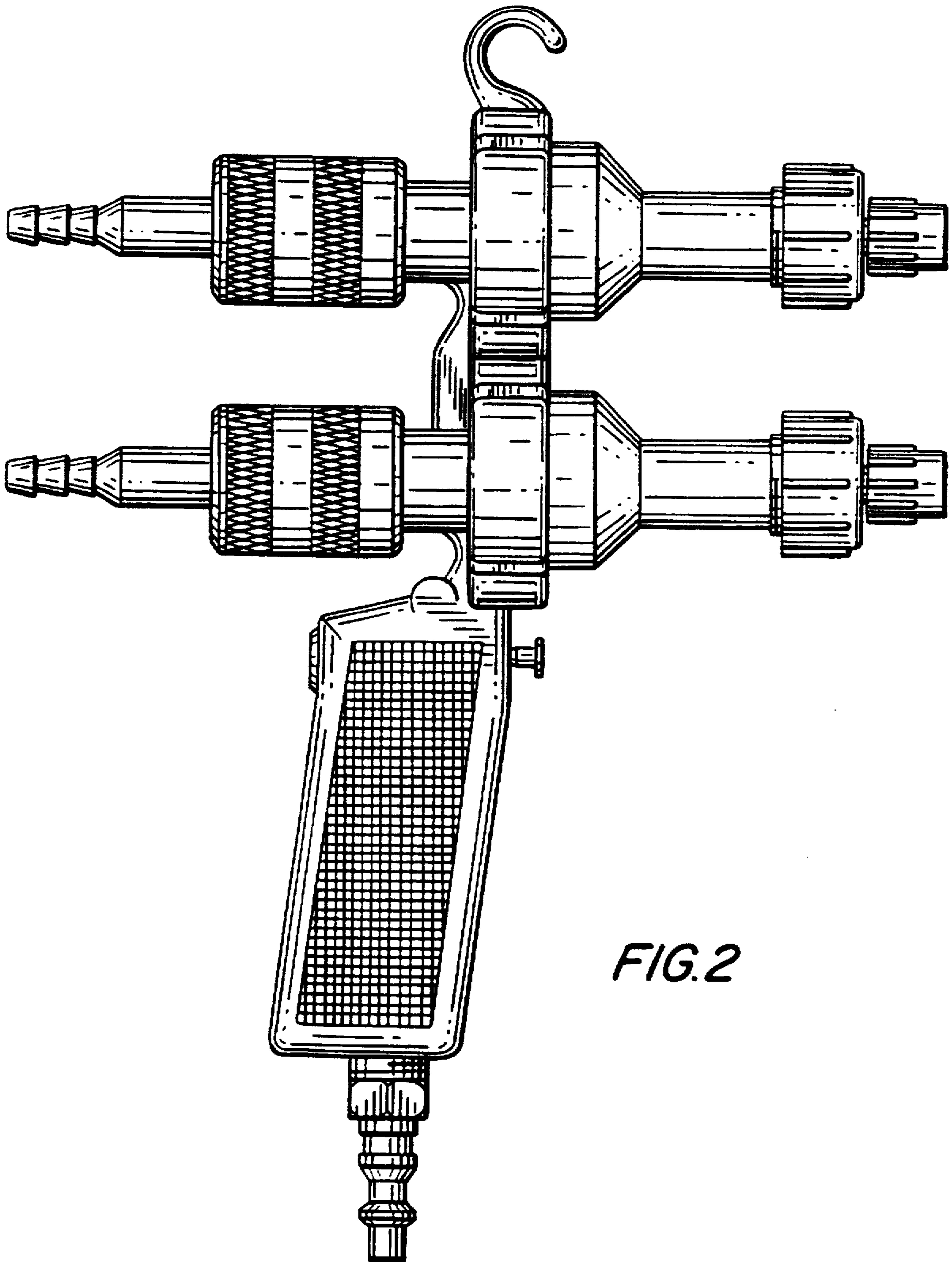
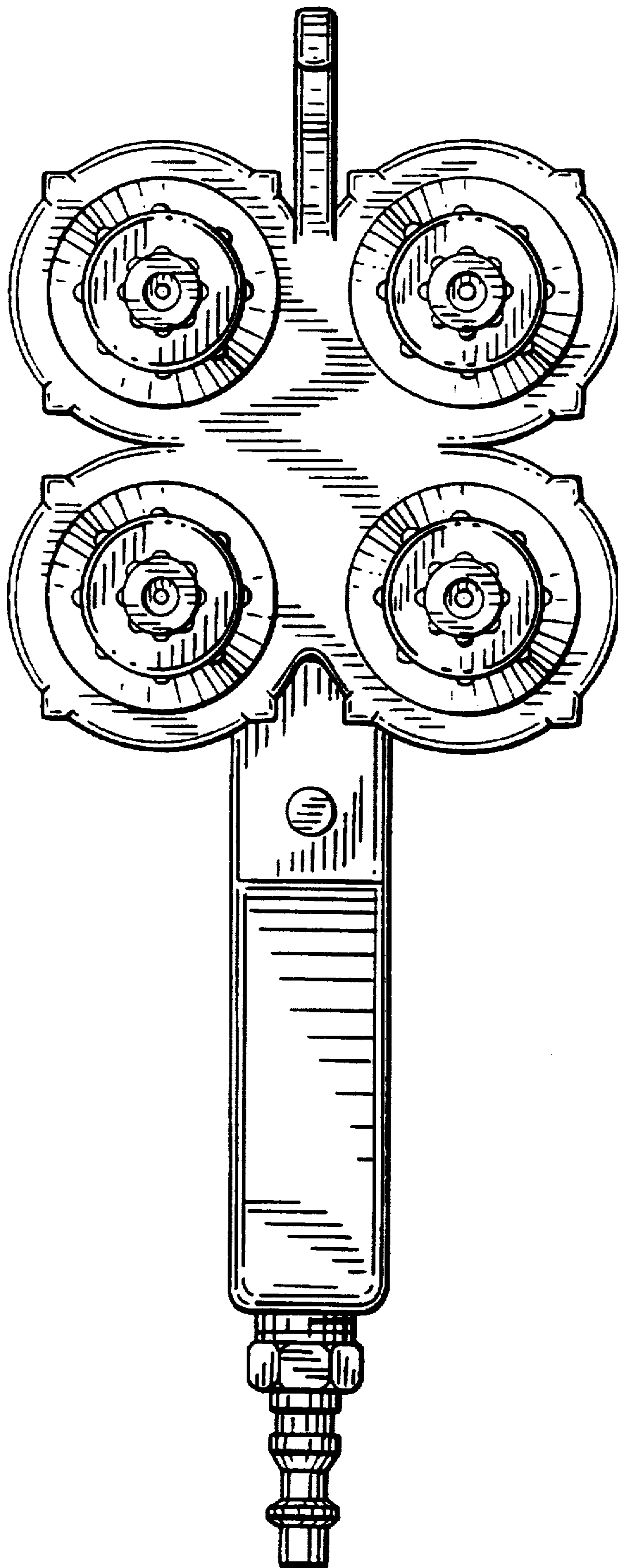


FIG. 2



*FIG.3*

FIG. 4

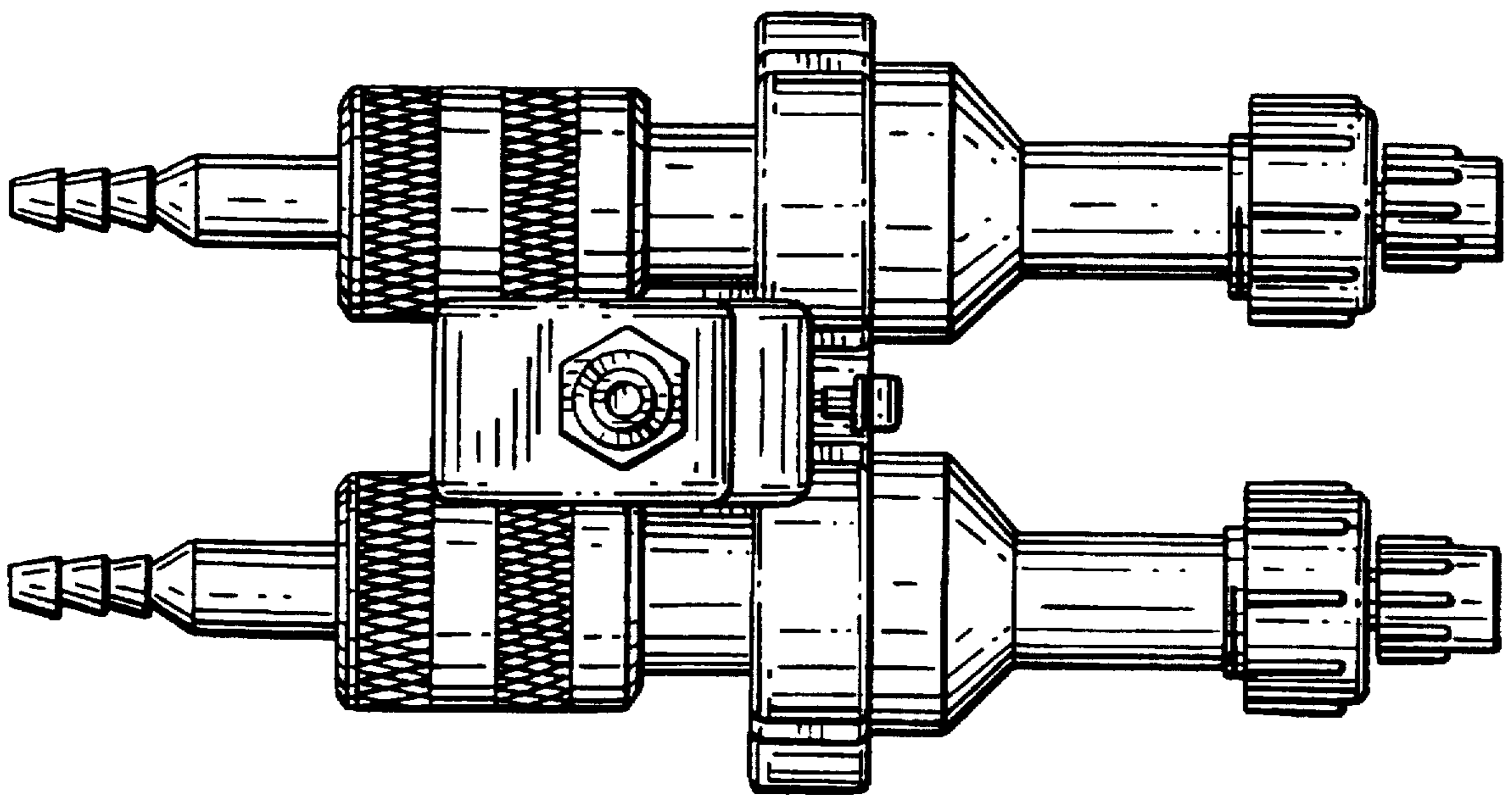
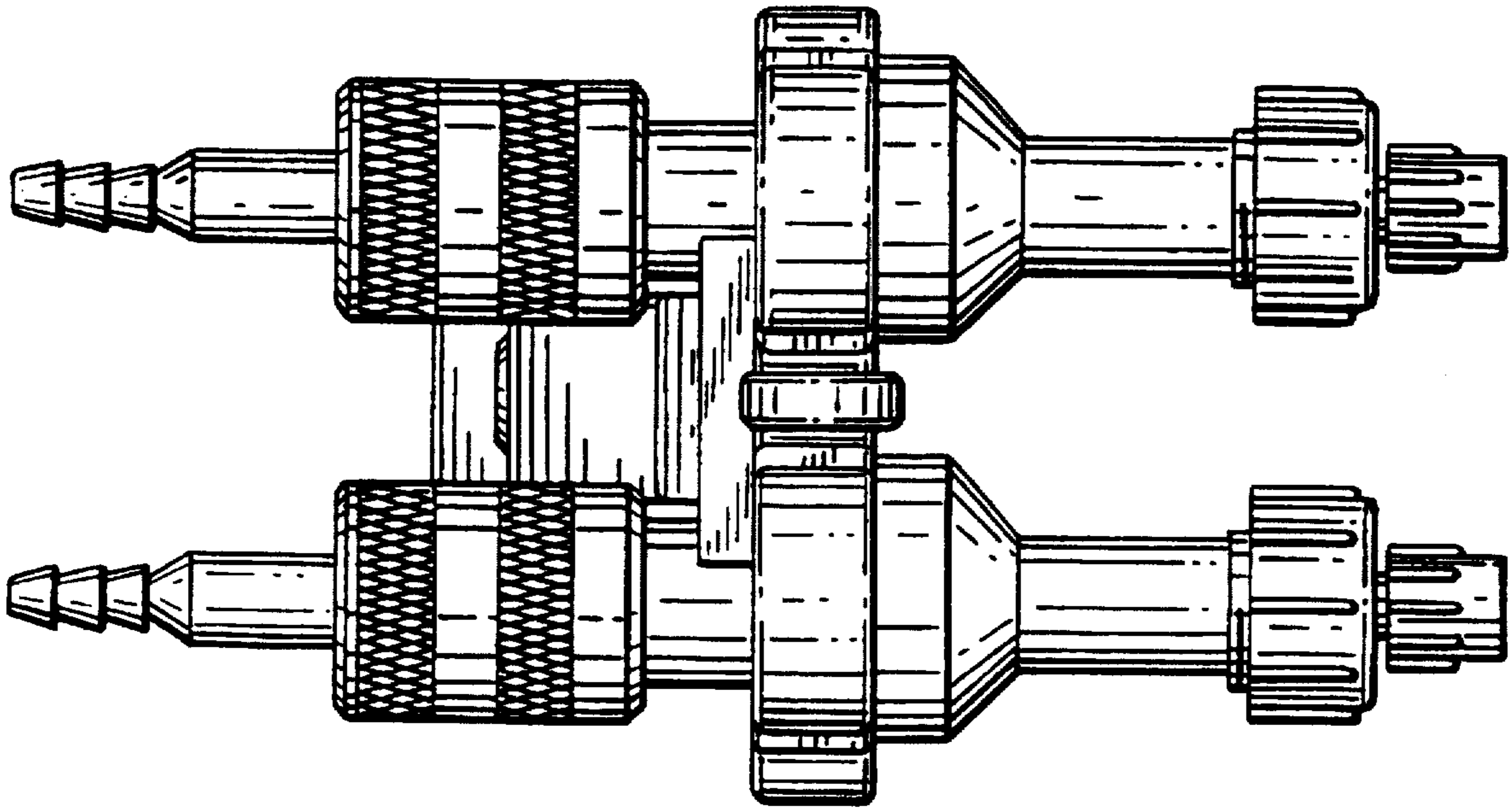


FIG. 5

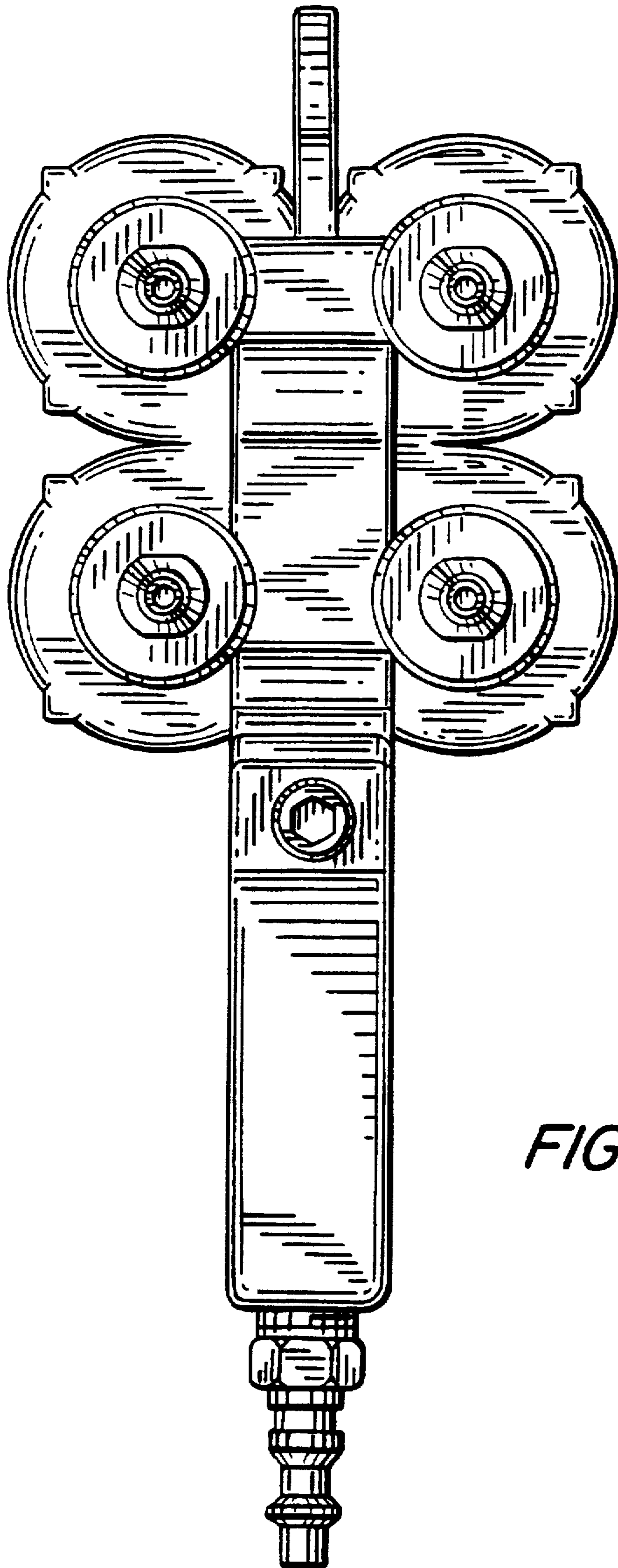


FIG.6