



US00D408530S

United States Patent [19]

Eliassen et al.

[11] Patent Number: Des. 408,530

[45] Date of Patent: **Apr. 20, 1999

[54] PROXIMAL END CATHETER COUPLING HUB

[75] Inventors: Kenneth A. Eliassen, West Jordan; Kelly B. Powers, North Salt Lake, both of Utah

[73] Assignee: C. R. Bard, Inc., Murray Hill, N.J.

[**] Term: 14 Years

[21] Appl. No.: 29/091,063

[22] Filed: Jul. 22, 1998

[51] LOC (6) CL 24-02

[52] U.S. Cl. D24/112

[58] Field of Search D24/112, 130, D24/146; 604/160, 164, 161, 168, 192, 165, 177, 158, 198

[56] References Cited

U.S. PATENT DOCUMENTS

D. 208,611	9/1967	Smith, Jr.	D83/12
D. 217,702	5/1970	Volk et al.	D83/12
D. 220,555	4/1971	Reiterman	D83/12
D. 223,043	2/1972	Raines	D83/12
D. 224,727	9/1972	Rychlik	D83/12
D. 228,691	10/1973	Stockton	D83/12 A
D. 257,885	1/1981	Kulle	D24/52
D. 258,387	2/1981	DeFrank	D24/52
D. 326,154	5/1992	Deguchi et al.	D24/112
D. 340,111	10/1993	Yoshikawa	D24/112
D. 355,031	1/1995	Yoshikawa	D24/112
D. 358,465	5/1995	Klein et al.	D24/112
D. 376,646	12/1996	Vallelunga	D24/130
D. 381,419	7/1997	Musgrave et al.	D24/112
D. 384,740	10/1997	Musgrave et al.	D24/112
3,454,006	7/1969	Langdon	128/214.4
3,640,275	2/1972	Burke et al. .	
4,193,399	3/1980	Robinson .	
4,362,156	12/1982	Feller, Jr. et al.	604/165
4,388,074	6/1983	Seberg et al.	604/165
4,389,210	6/1983	Genese	604/177

4,445,893	5/1984	Bodicky	604/165
4,650,472	3/1987	Bates	604/158
4,710,175	12/1987	Cartmell et al.	604/177
4,743,265	5/1988	Whitehouse et al.	604/161
4,775,367	10/1988	Schmidt	604/192
4,781,692	11/1988	Jagger et al.	604/164
4,863,432	9/1989	Kvalo	604/177
5,167,635	12/1992	Haber et al.	604/164
5,167,647	12/1992	Wijkamp et al. .	
5,267,971	12/1993	Brimhall	604/177
5,304,144	4/1994	Brimhall	604/177
5,536,255	7/1996	Moss	604/161
5,674,201	10/1997	Steinman	604/165

Primary Examiner—Freda Nunn
Assistant Examiner—Cynthia Ramirez
Attorney, Agent, or Firm—Trask, Britt & Rossa

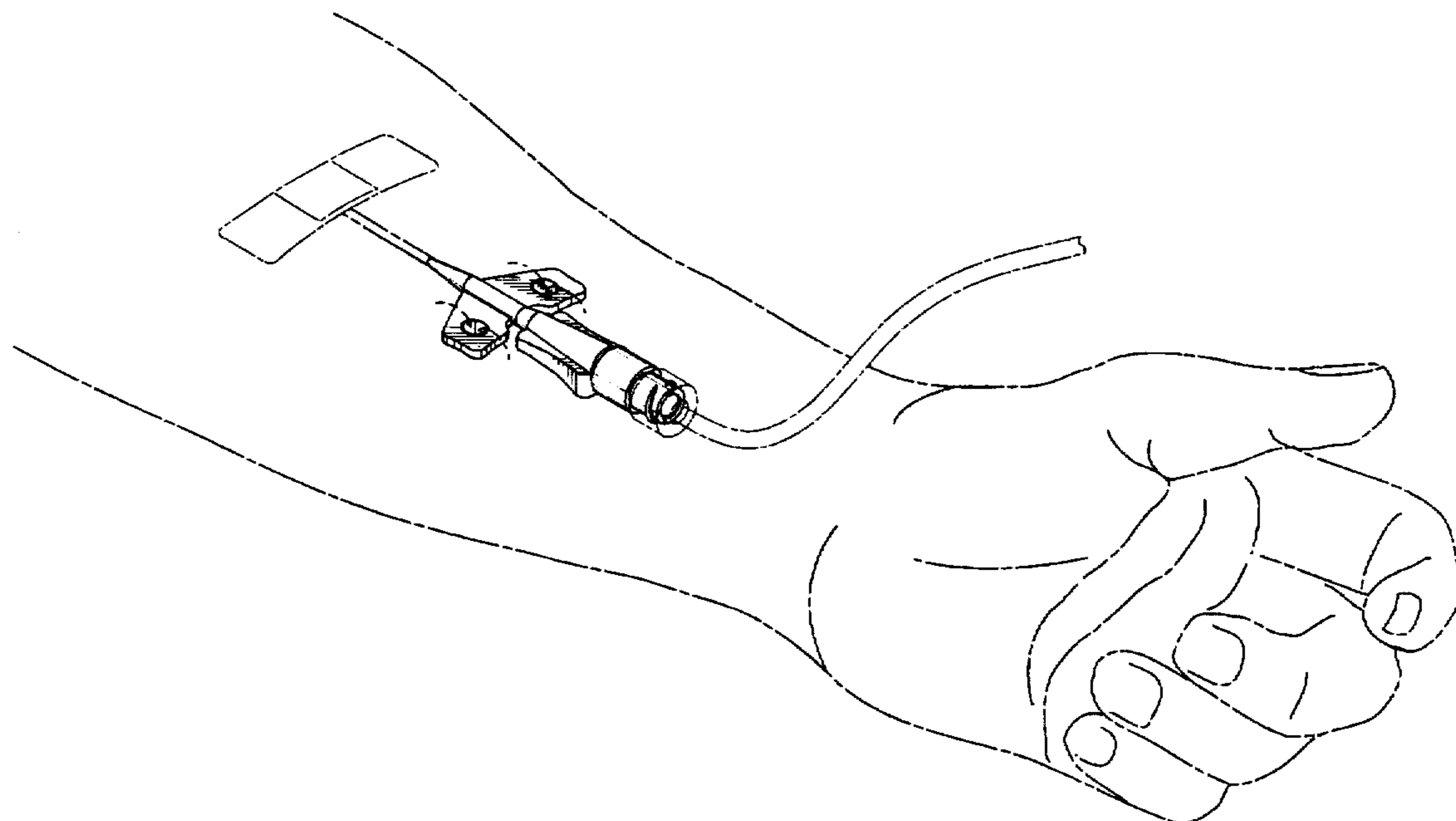
[57] CLAIM

What is claimed is the ornamental design for a proximal end catheter coupling hub, as shown and described.

DESCRIPTION

FIG. 1 is a perspective view of a proximal end catheter coupling hub embodying the inventive design;
 FIG. 2 is a front elevation view of the proximal end catheter coupling hub of FIG. 1;
 FIG. 3 is a top plan view of the proximal end catheter coupling hub of FIG. 2;
 FIG. 4 is a rear elevation view of the proximal end catheter coupling hub of FIG. 2;
 FIG. 5 is a bottom plan view of the a proximal end catheter coupling hub of FIG. 2;
 FIG. 6 is a right elevation side view of the proximal end catheter coupling hub of FIG. 2; and,
 FIG. 7 is a left elevation side view of the proximal end catheter coupling hub of FIG. 2.
 The broken line showing of the hand, tubes, sutures and bandage in FIG. 1 is for illustrative purposes only and forms no part of the claimed design.

1 Claim, 3 Drawing Sheets



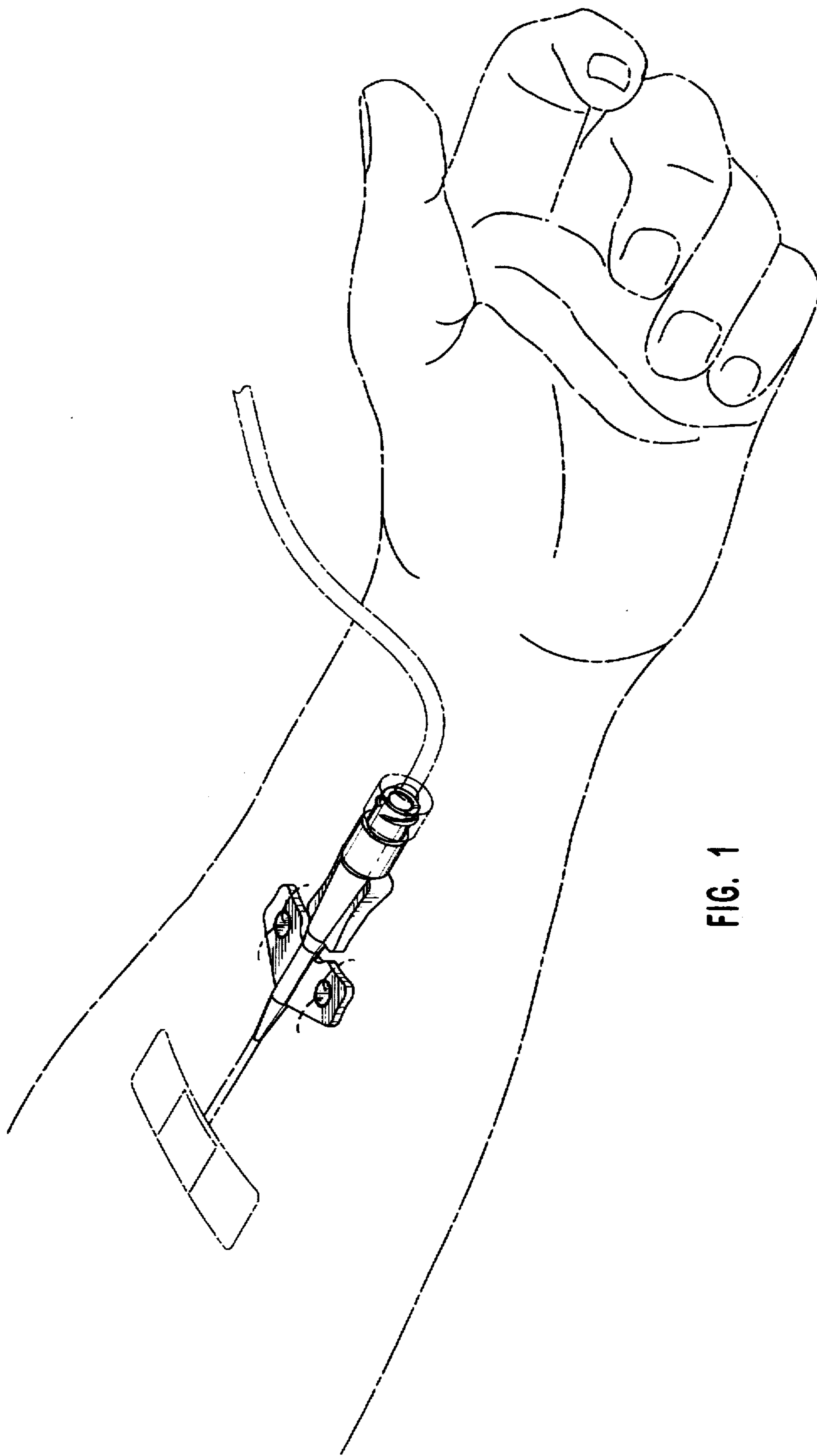


FIG. 1

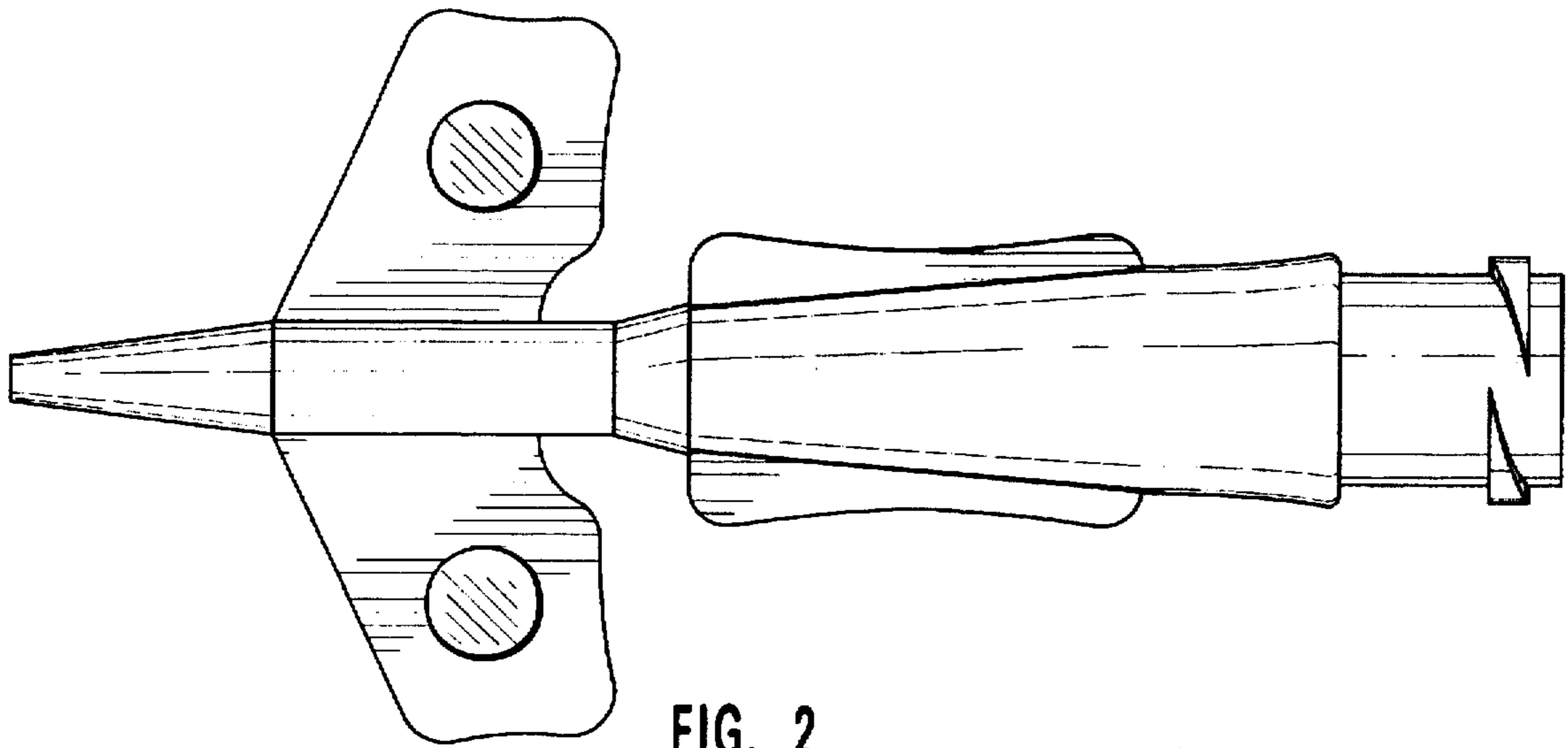


FIG. 2

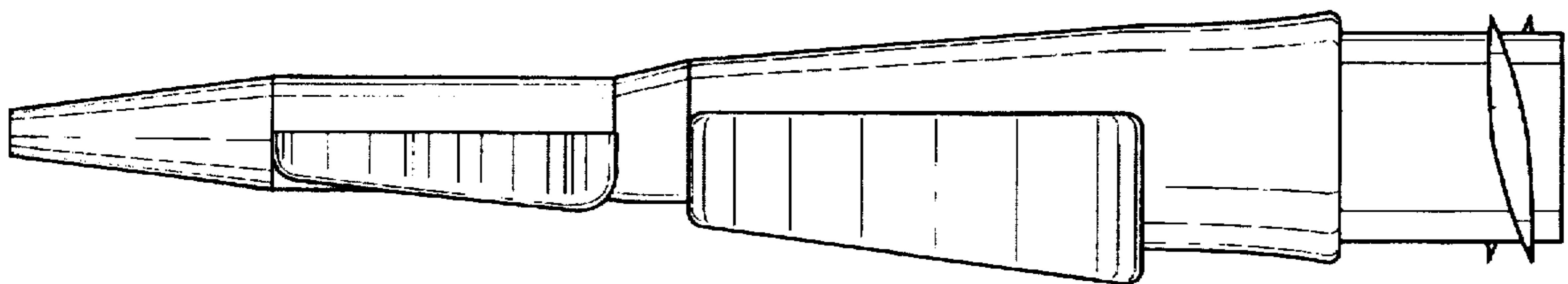


FIG. 3

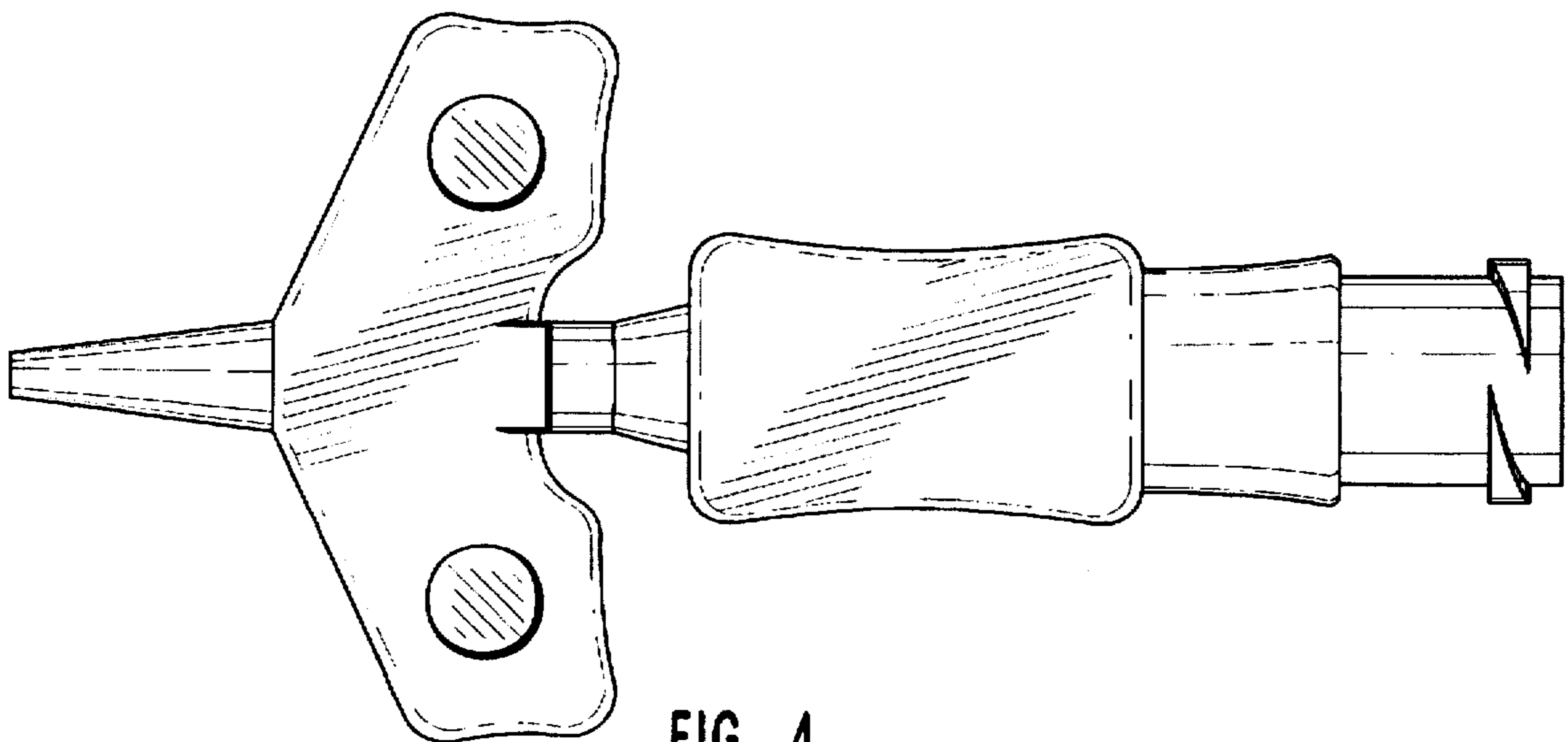


FIG. 4

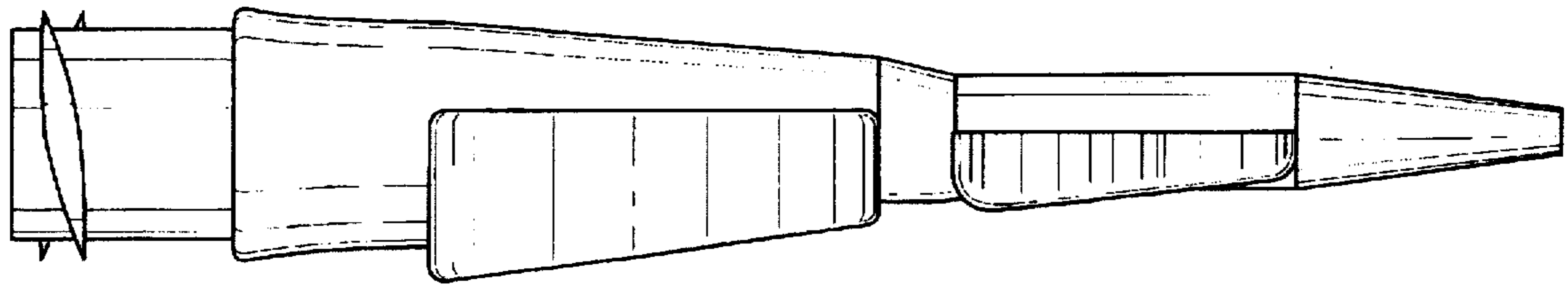


FIG. 5

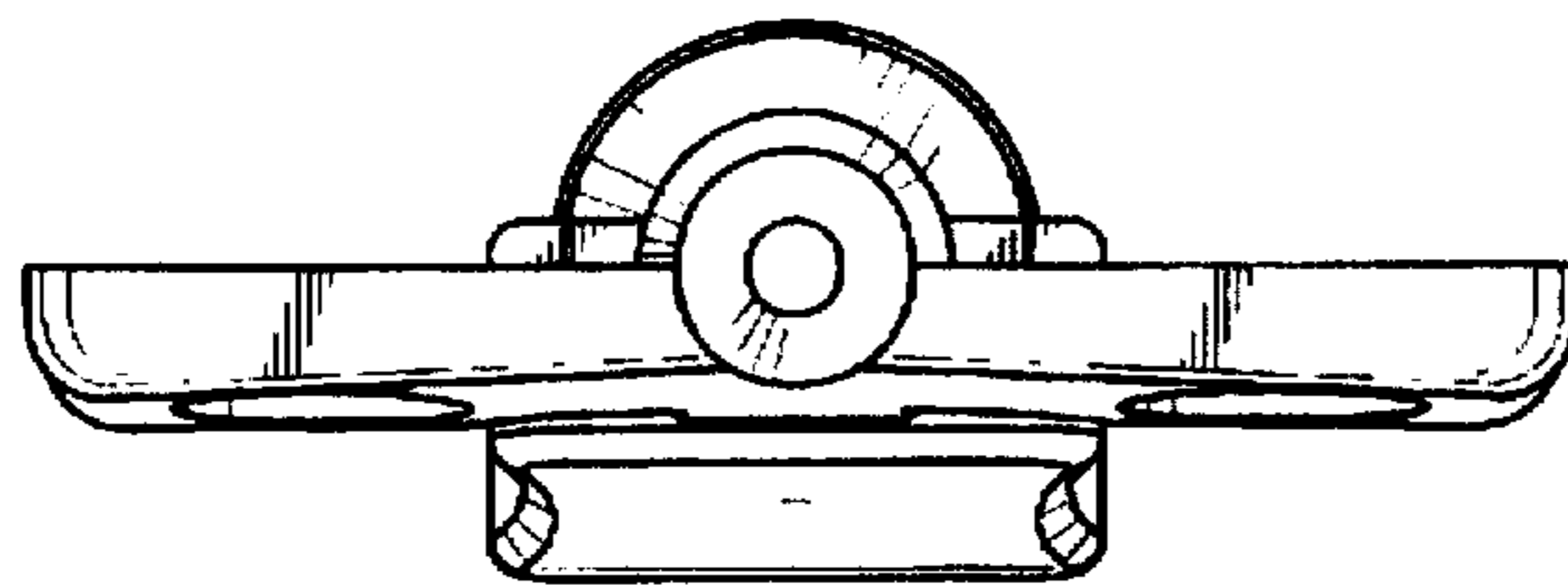


FIG. 6

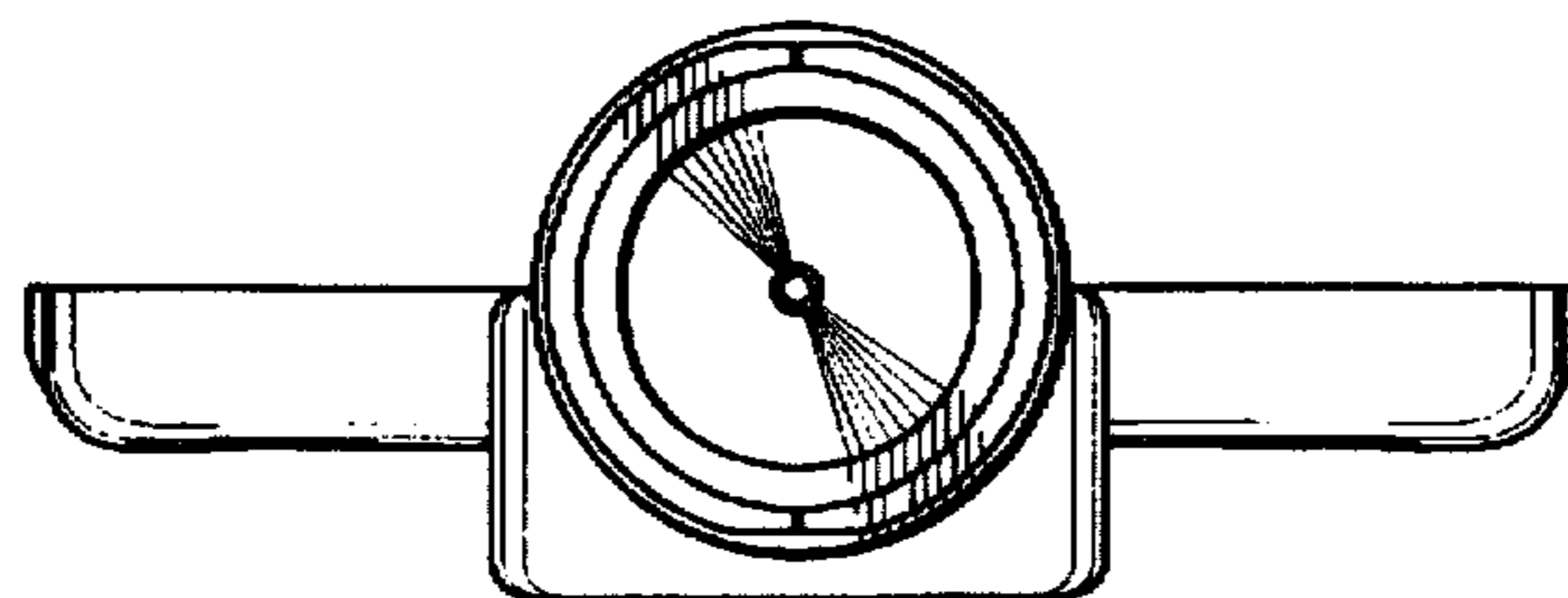


FIG. 7

UNITED STATES PATENT AND TRADEMARK OFFICE
Certificate

Patent No. D 408,530

Patented: April 20, 1999

On petition requesting issuance of a certificate for correction of inventorship pursuant to 35 U.S.C. 256, it has been found that the above identified patent, through error and without any deceptive intent, improperly sets forth the inventorship.

Accordingly, it is hereby certified that the correct inventorship of this patent is: Kenneth A. Eliassen, West Jordan, UT; Kelly B. Powers, North Salt Lake, UT; and Daniel T. Schlehuber, Sandy, UT.

Signed and Sealed this Thirteenth Day of December 2005.

ALAN P. DOUGLAS
Supervisory Patent Examiner
Art Unit 2911