



US00D408527S

United States Patent [19]

[11] Patent Number: **Des. 408,527**

Coelho et al.

[45] Date of Patent: ****Apr. 20, 1999**

[54] **MEDICAL DISPENSING GUN**

[75] Inventors: **Philip Henry Coelho; Brian G. Malone; Pete Menke**, all of Rancho Cordova; **Loren Stirling; John Gard**, both of Mountain View, all of Calif.

[73] Assignee: **ThermoGenesis Corp.**, Rancho Cordova, Calif.

[**] Term: **14 Years**

[21] Appl. No.: **29/083,019**

[22] Filed: **Feb. 2, 1998**

[51] LOC (6) Cl. **24-02**

[52] U.S. Cl. **D24/108**

[58] Field of Search **D24/113, 133, D24/145-147, 108; D21/147; 606/92-94; 604/82, 56-58, 242, 905, 187, 191, 201, 83, 272, 264, 280; 222/137, 135; 239/294, 296, 428, 419.3**

5,116,315 5/1992 Capozzi et al. .
 5,240,146 8/1993 Smedley et al. .
 5,253,785 10/1993 Haber et al. .
 5,271,527 12/1993 Haber et al. .
 5,286,258 2/1994 Haber et al. .
 5,290,259 3/1994 Fischer .
 5,303,865 4/1994 Bert 239/294
 5,314,412 5/1994 Rex .
 5,318,524 6/1994 Morse et al. .
 5,322,510 6/1994 Lindner et al. .
 5,330,079 7/1994 Keller .
 5,330,974 7/1994 Pines et al. .
 5,336,202 8/1994 Bailly et al. .
 5,368,563 11/1994 Lonneman et al. .
 5,378,233 1/1995 Haber et al. .
 5,405,607 4/1995 Epstein .
 5,419,491 5/1995 Breitsprecher .
 5,423,752 6/1995 Haber et al. .
 5,464,396 11/1995 Barta .
 5,474,540 12/1995 Miller et al. .
 5,505,704 4/1996 Pawelka et al. .
 5,605,541 2/1997 Holm .

Primary Examiner—Pamela Burgess
Attorney, Agent, or Firm—Bernhard Kreten

[56] References Cited

U.S. PATENT DOCUMENTS

D. 242,392 11/1976 Moore D24/113
 D. 256,160 7/1980 Fujitaki et al. D24/113
 D. 282,776 2/1986 Neumeister D24/113
 D. 369,657 5/1996 McGugan .
 2,829,006 4/1958 Johansson 239/9
 3,269,389 8/1966 Meurer et al. .
 4,040,420 8/1977 Speer .
 4,109,653 8/1978 Kozam et al. .
 4,359,049 11/1982 Redl et al. .
 4,659,677 4/1987 Glover et al. .
 4,874,368 10/1989 Miller et al. .
 4,902,281 2/1990 Avoy .
 4,978,336 12/1990 Capozzi et al. .
 5,104,375 4/1992 Wolf et al. .

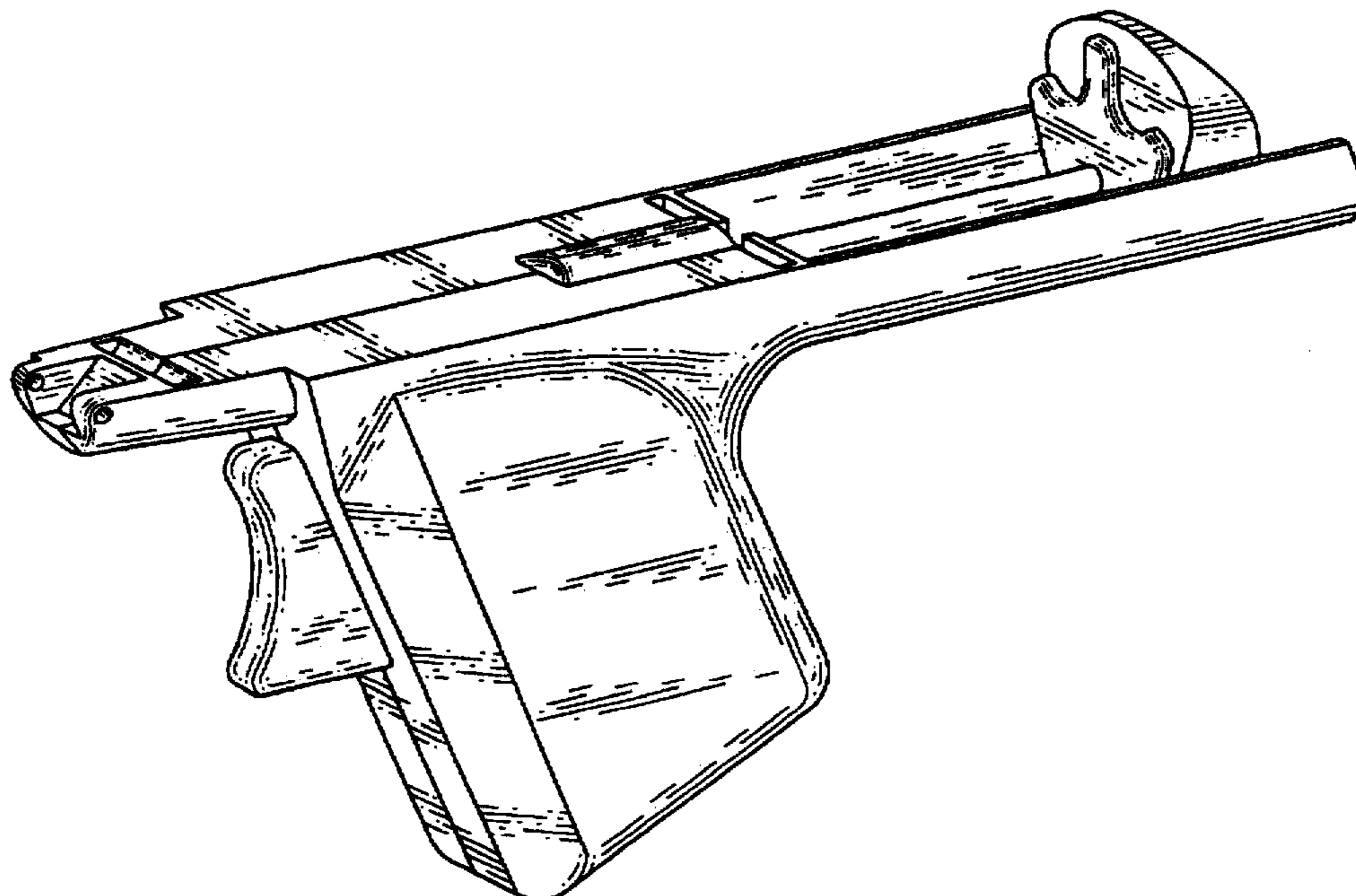
[57] CLAIM

The ornamental design for a medical dispensing gun, as shown and described.

DESCRIPTION

FIG. 1 is a perspective view of a medical dispensing gun showing our new design.
 FIG. 2 is a front view thereof.
 FIG. 3 is a left side view thereof.
 FIG. 4 is a top view thereof.
 FIG. 5 is a right side view thereof.
 FIG. 6 is a rear view thereof; and,
 FIG. 7 is a bottom view thereof.

1 Claim, 2 Drawing Sheets



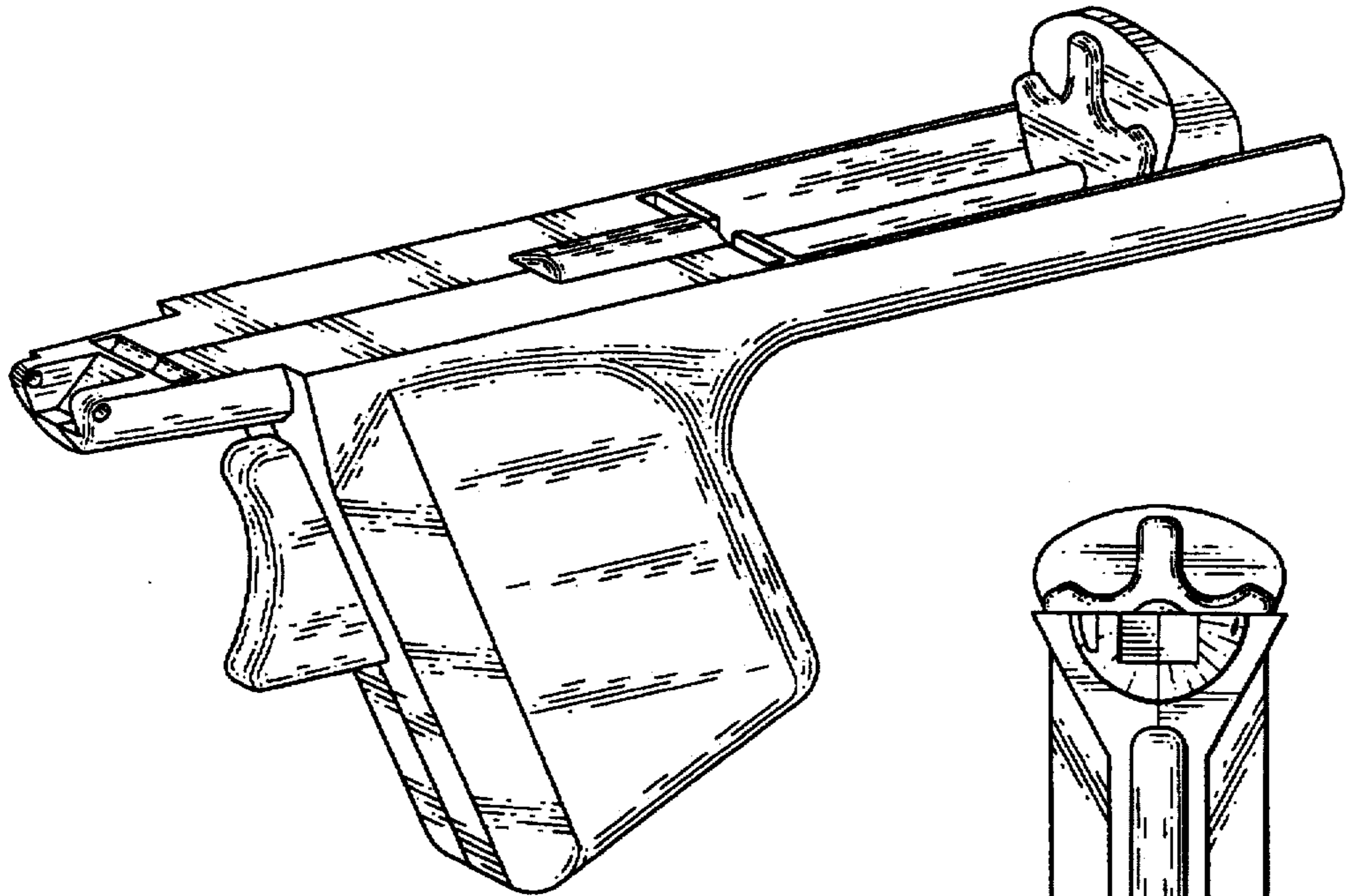


Fig. 1

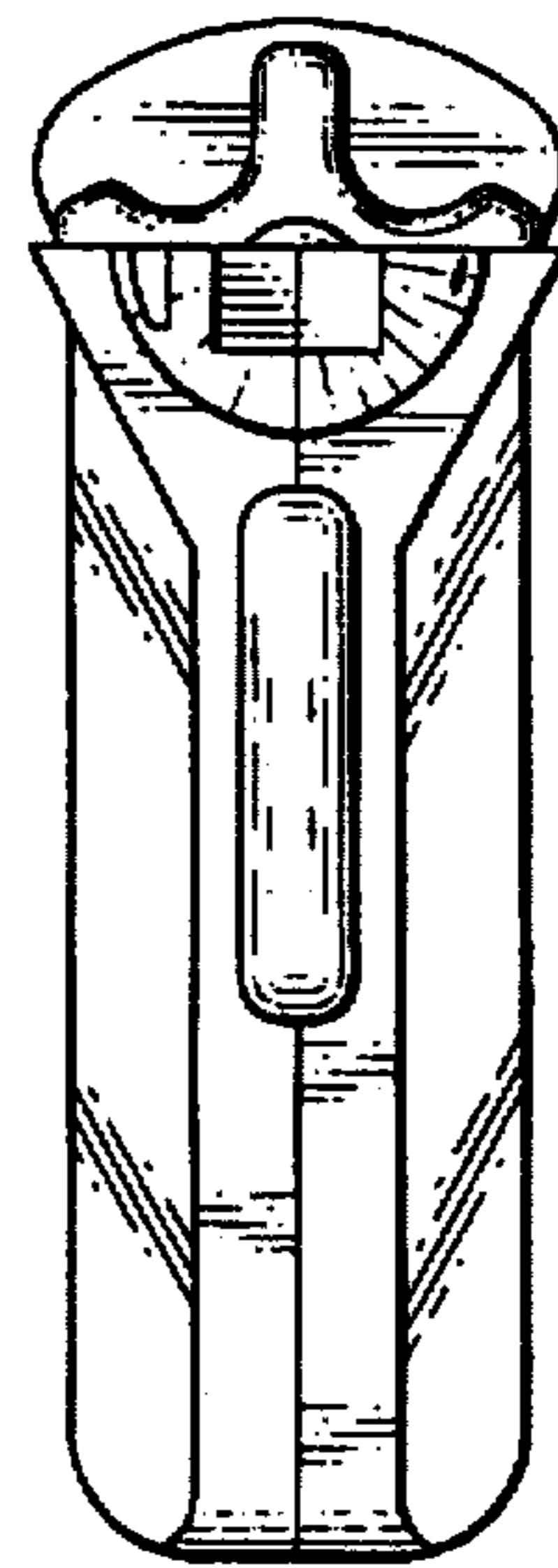


Fig. 2

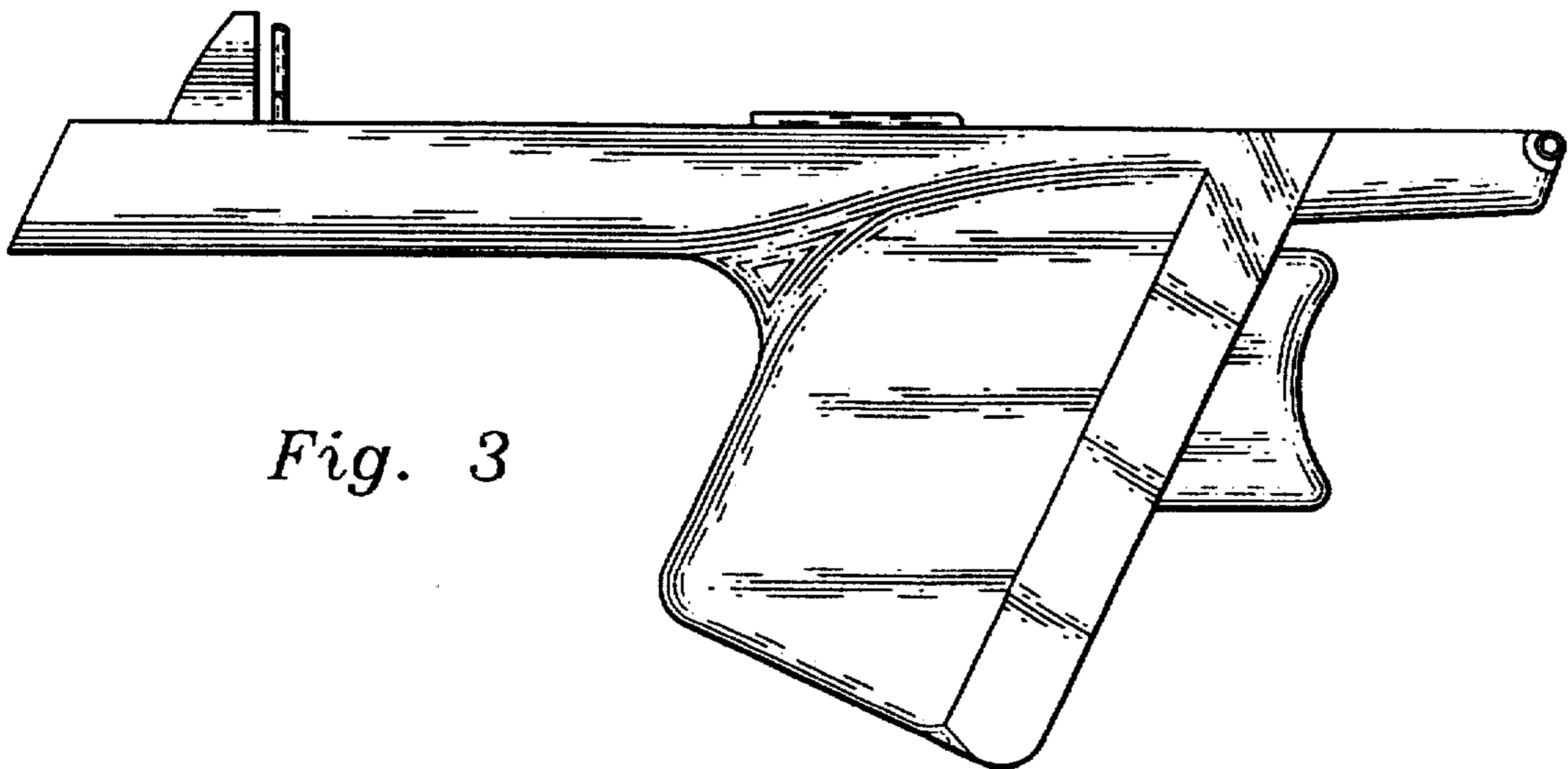


Fig. 3

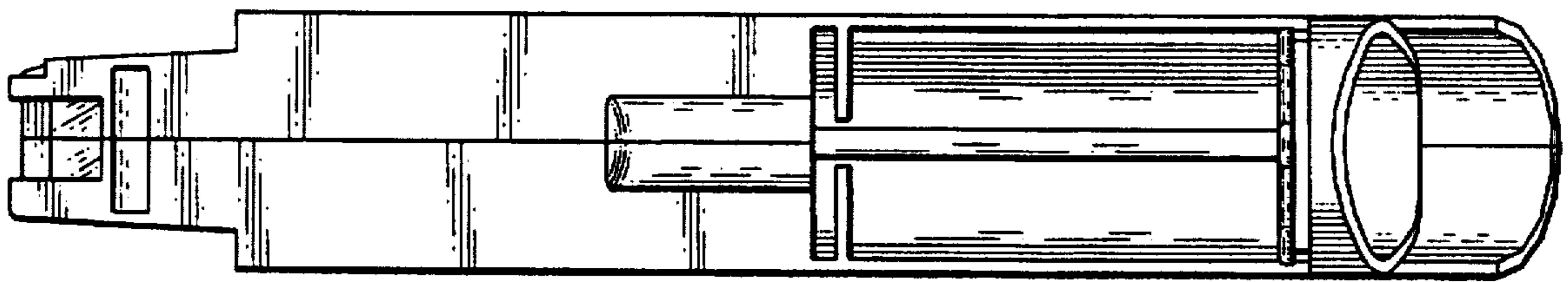


Fig. 4

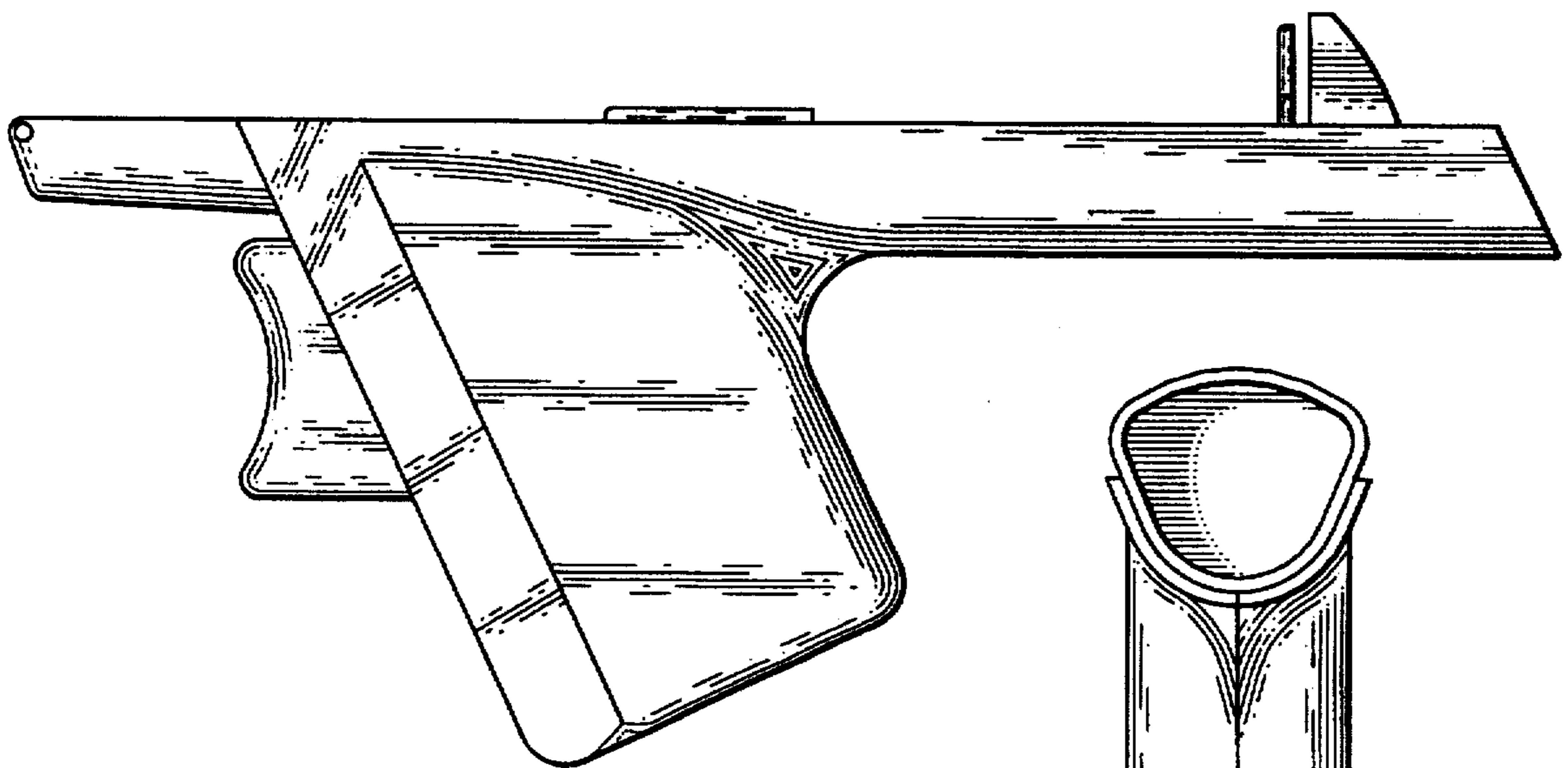


Fig. 5

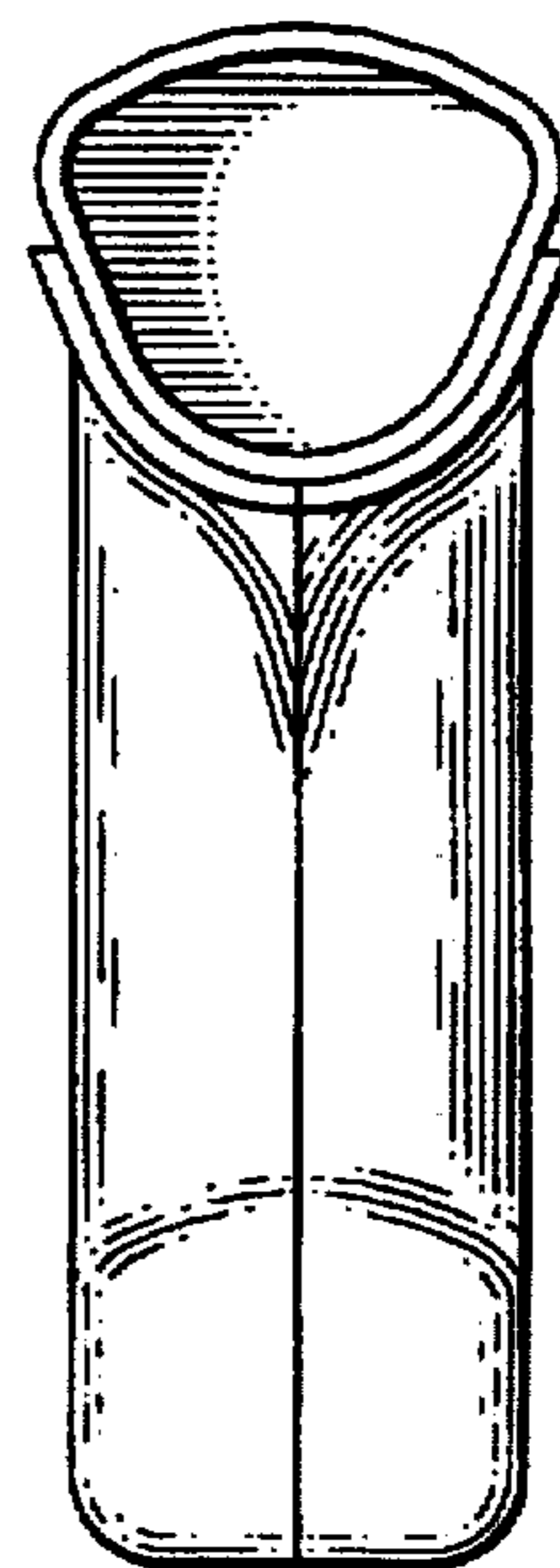


Fig. 6

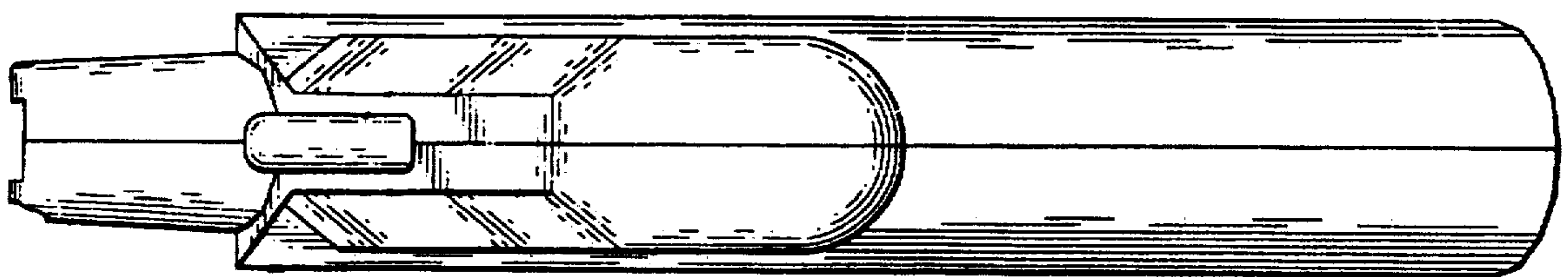


Fig. 7