



US00D408524S

United States Patent [19]

[11] Patent Number: **Des. 408,524**

Tsuji et al.

[45] Date of Patent: ****Apr. 20, 1999**

[54] **COMBINED MOTOR HOUSING, SWITCH HOUSING AND BLADE IRONS UNIT FOR A CEILING FAN**

Primary Examiner—Lisa Lichtenstein
Attorney, Agent, or Firm—Baker, Donelson, Bearman & Caldwell

[75] Inventors: **Masao Tsuji**, Germantown; **Bradford C. Zuege**, Memphis, both of Tenn.

[57] CLAIM

[73] Assignee: **Hunter Fan Company**, Memphis, Tenn.

The ornamental design for a combined motor housing, switch housing and blade irons unit for a ceiling fan, as shown and described.

[**] Term: **14 Years**

DESCRIPTION

[21] Appl. No.: **29/091,056**

FIG. 1 is a perspective view of a combined motor housing, switch housing and blade irons unit for a ceiling fan showing our new design;

[22] Filed: **Jul. 22, 1998**

FIG. 2 is a perspective view of the design shown in FIG. 1 with the environmental structure removed therefrom;

[51] LOC (6) Cl. **23-04**

[52] U.S. Cl. **D23/411; D23/377; D23/385**

FIG. 3 is a front view thereof;

[58] Field of Search **D23/377, 385,**

D23/379, 411; 416/5; 392/364; 362/96;

D26/59, 81-86, 88, 51, 72

FIG. 4 is a right-side view thereof;

FIG. 5 is a rear view thereof;

FIG. 6 is a left-side view thereof;

FIG. 7 is a top view thereof;

FIG. 8 is a bottom view thereof;

[56] References Cited

U.S. PATENT DOCUMENTS

D. 326,905	6/1992	Scofield	D23/411
D. 378,312	3/1997	Davis, Jr.	D23/377
D. 378,403	3/1997	Jaspers-Fayer	D23/377
D. 389,569	1/1998	Gee, II et al.	D23/411
D. 396,533	7/1998	Tsuji	D23/377

FIG. 9 is a perspective view of a second embodiment of the design shown in FIGS. 1-8;

FIG. 10 is a front view of FIG. 9;

FIG. 11 is a right-side view of FIG. 9;

FIG. 12 is a rear view of FIG. 9;

FIG. 13 is a left-side view of FIG. 9; and,

FIG. 14 is a top view of FIG. 9, the bottom view being identical to the bottom view illustrated in FIG. 8.

OTHER PUBLICATIONS

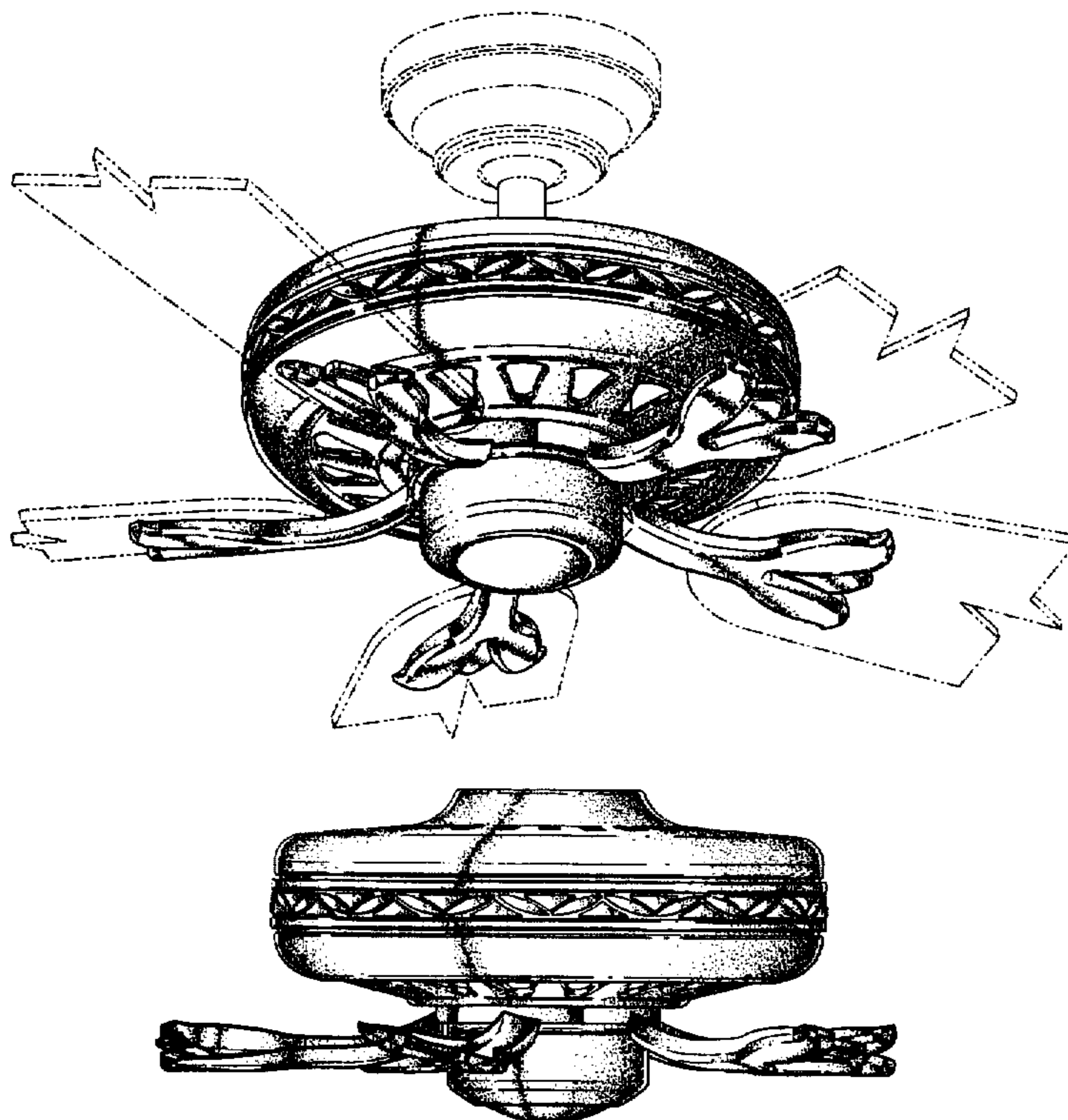
Hunter Fan Co. Adv. Flyer, front of page, Ceiling Fan (A), ©1987.

Nutone Cat, p. 2, Ceiling Fan (B), Apr. 1980.

Hunter Catalog Sheet, Copyright 1997, 52" Preference.

The broken-line showing of environmental structure in FIG. 1 is for illustrative purposes only and forms no part of the claimed design.

1 Claim, 14 Drawing Sheets



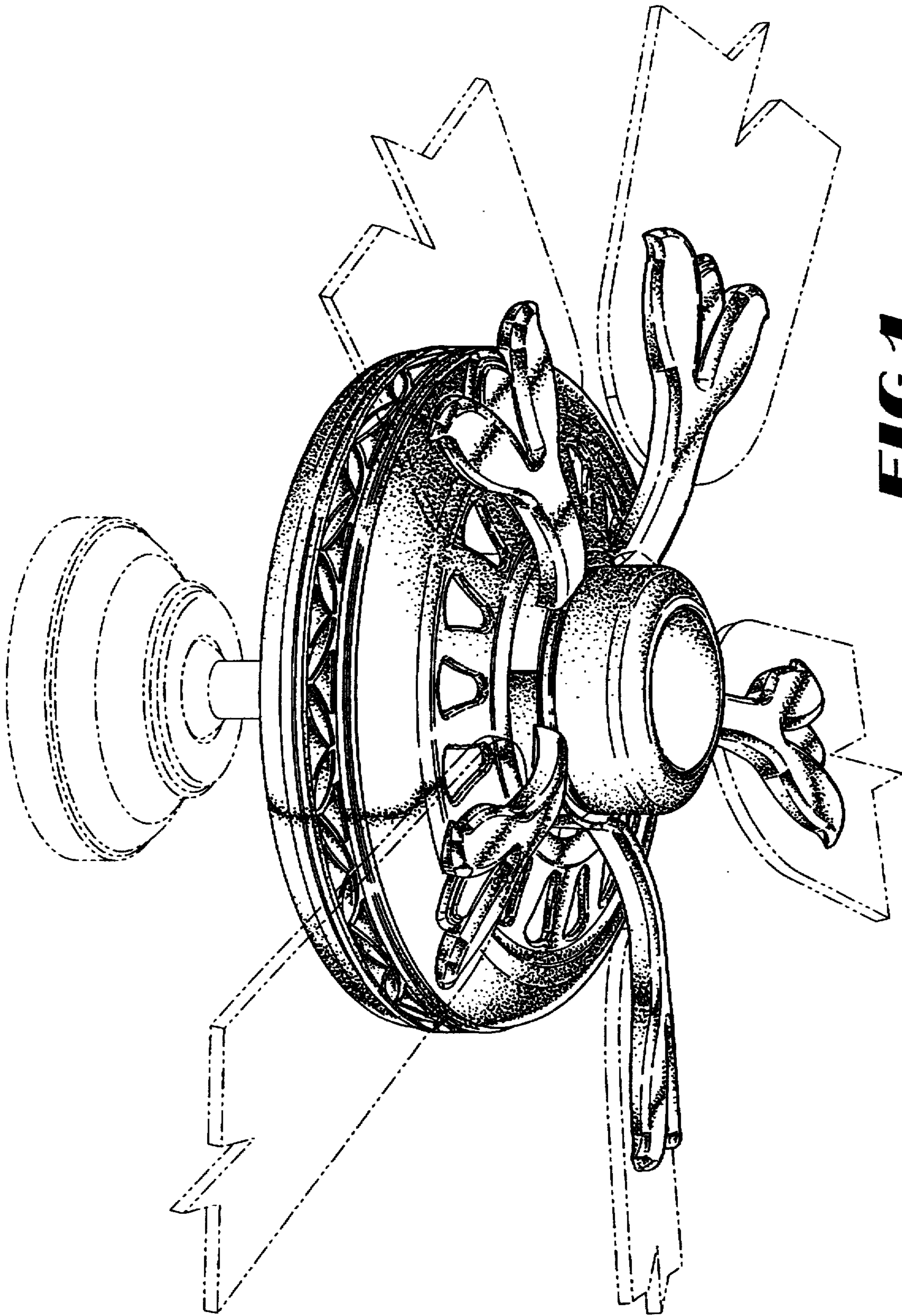


FIG 1

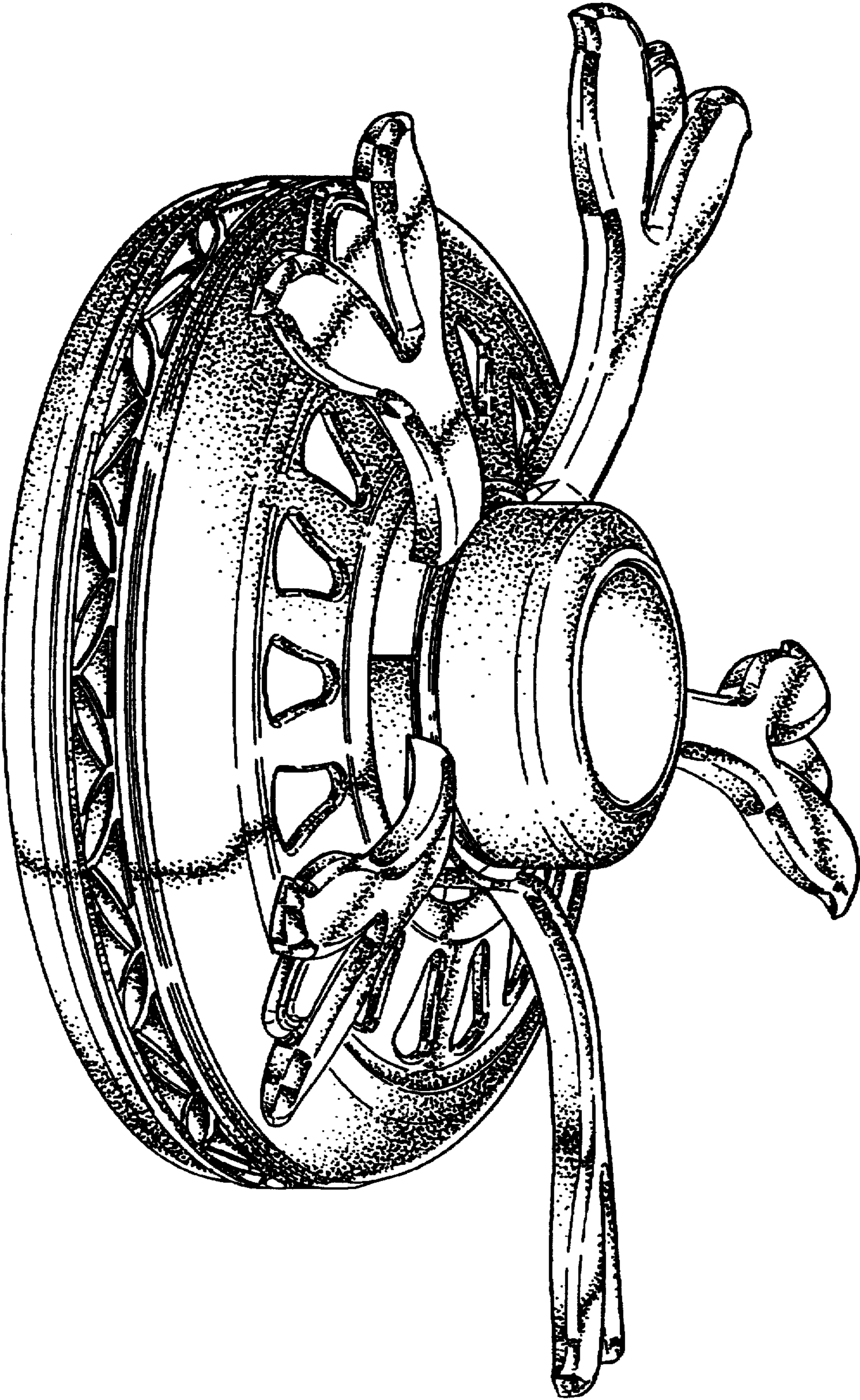


FIG 2

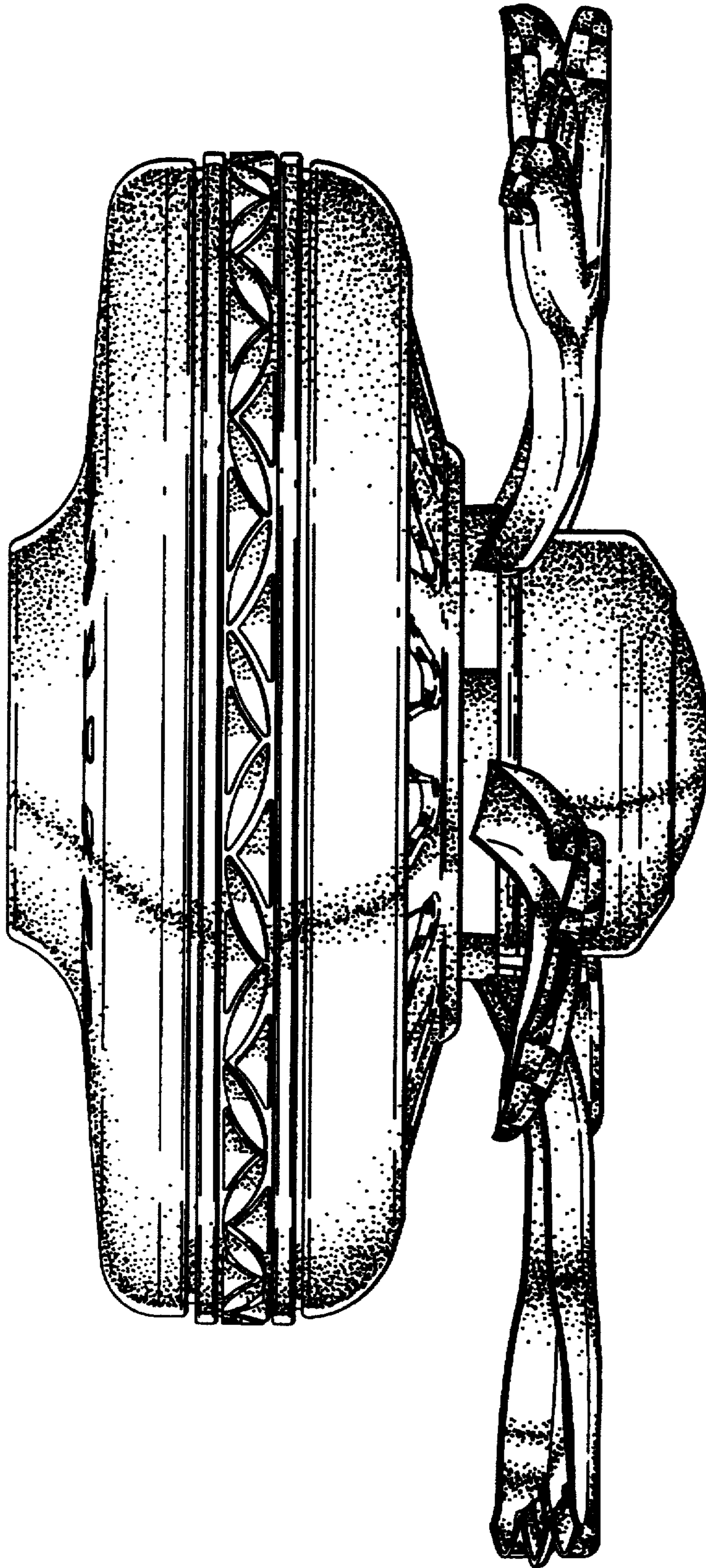


FIG 3

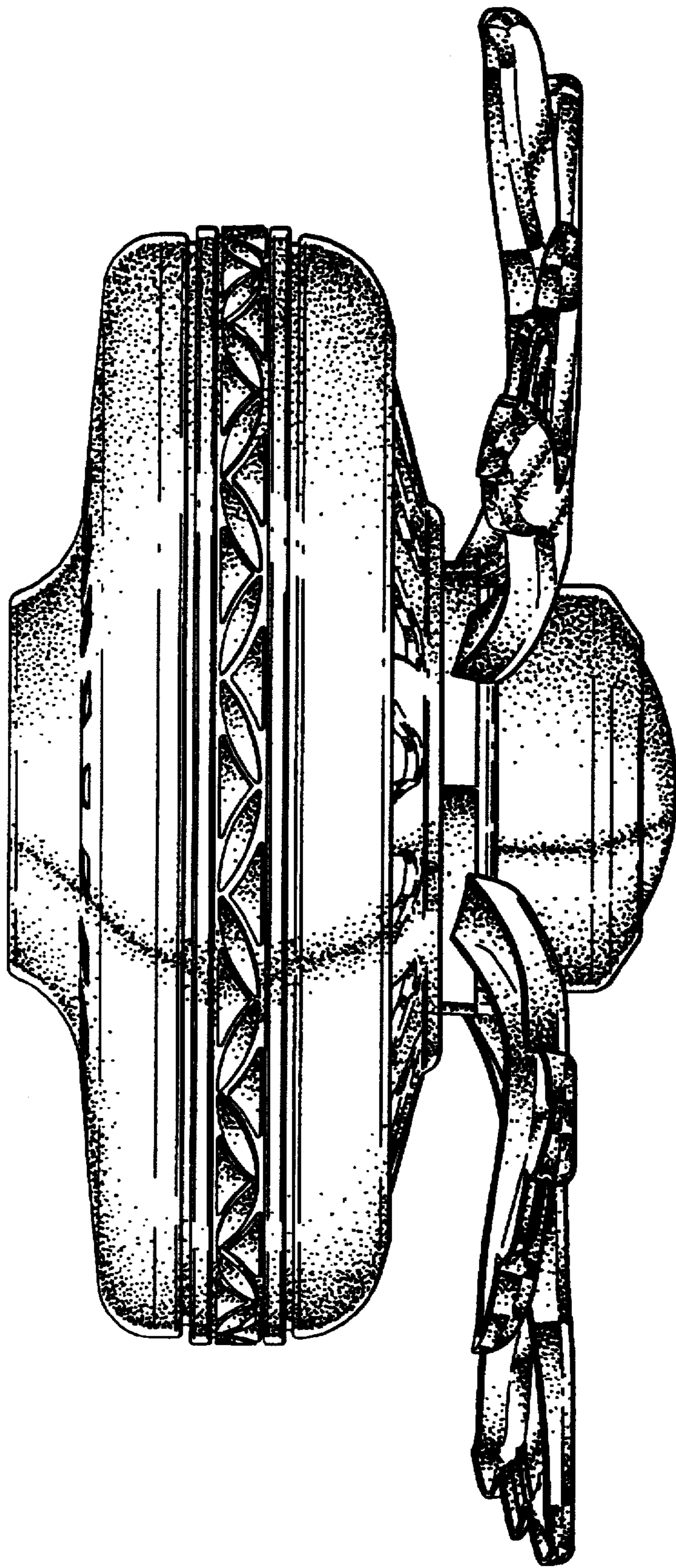


FIG 4

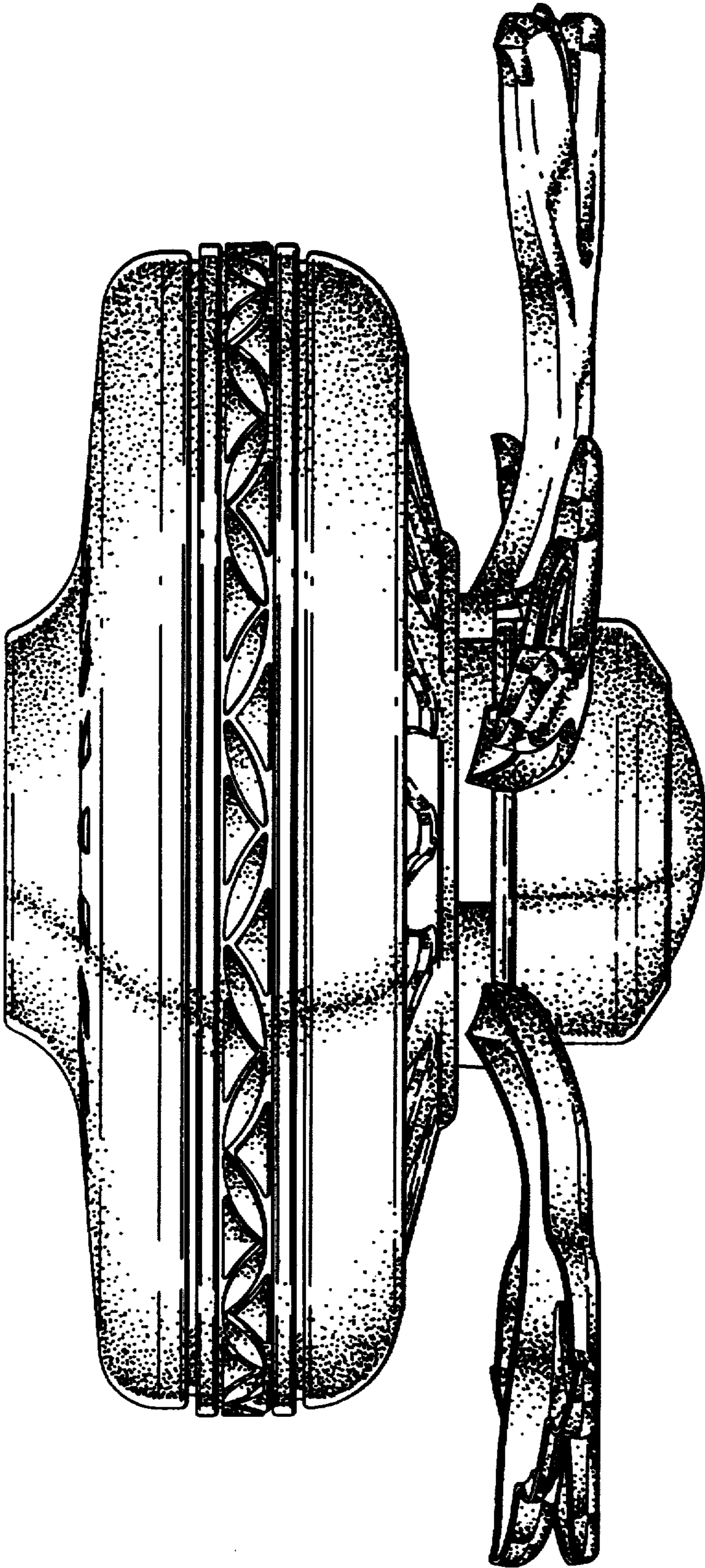


FIG 5

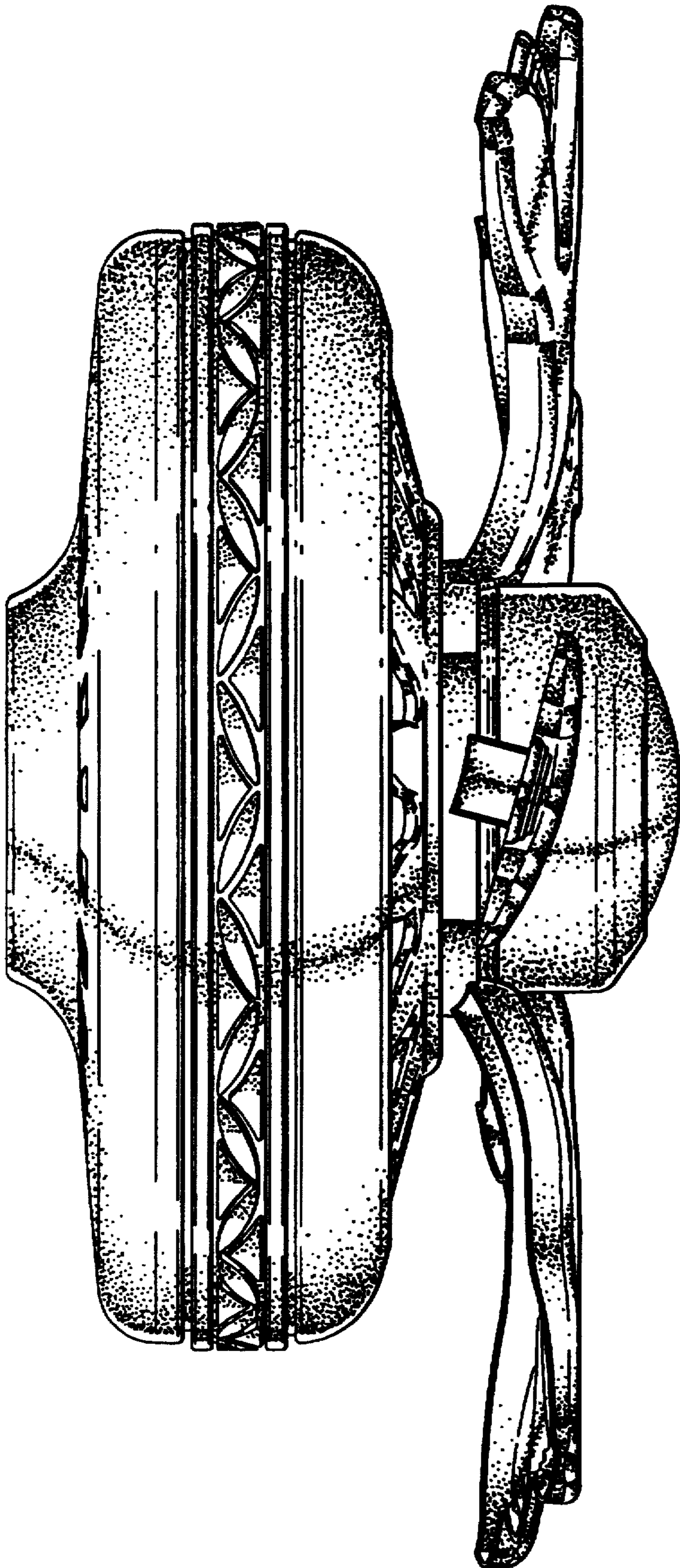


FIG 6

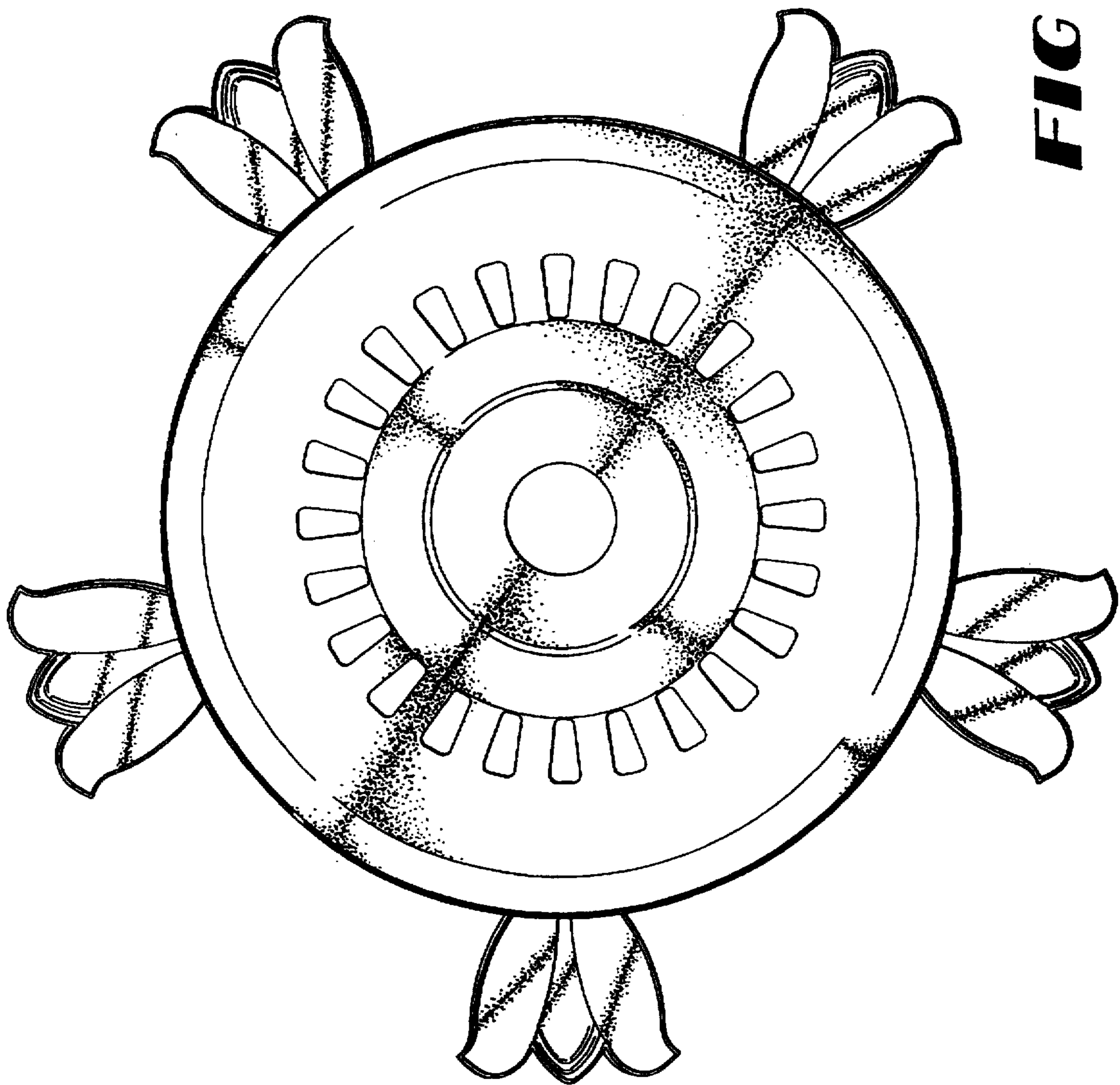


FIG 7

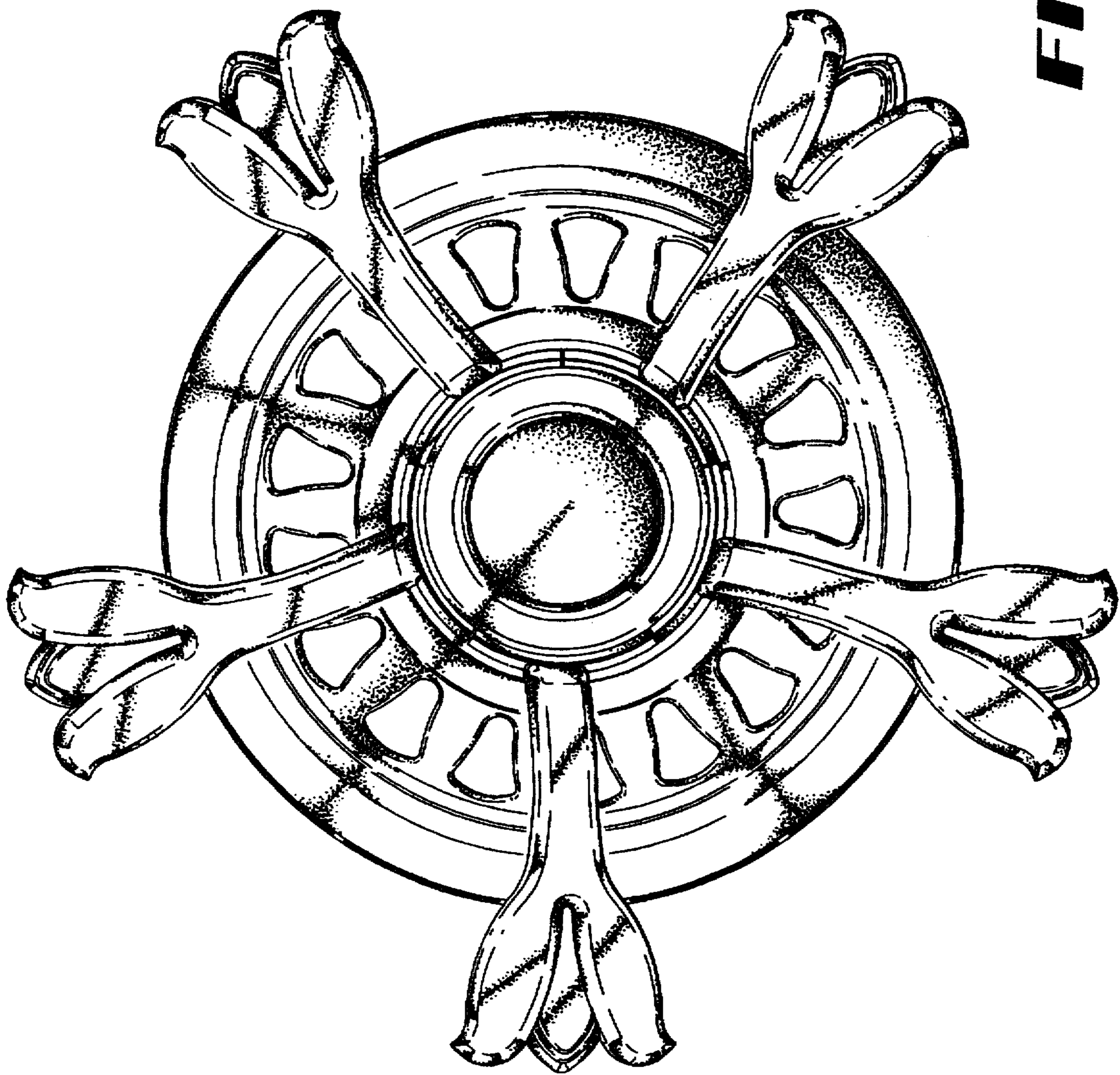


FIG 8

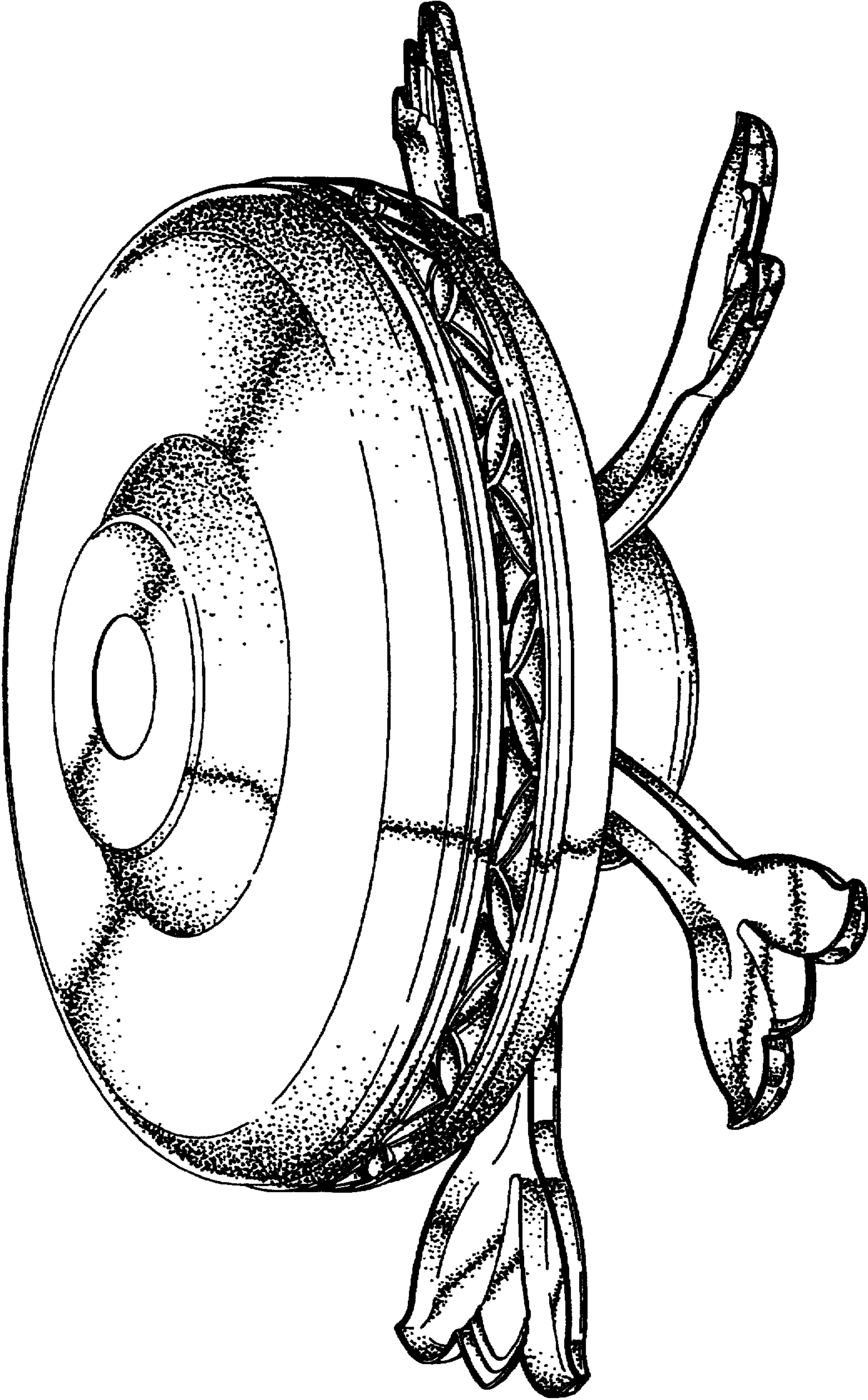


FIG 9

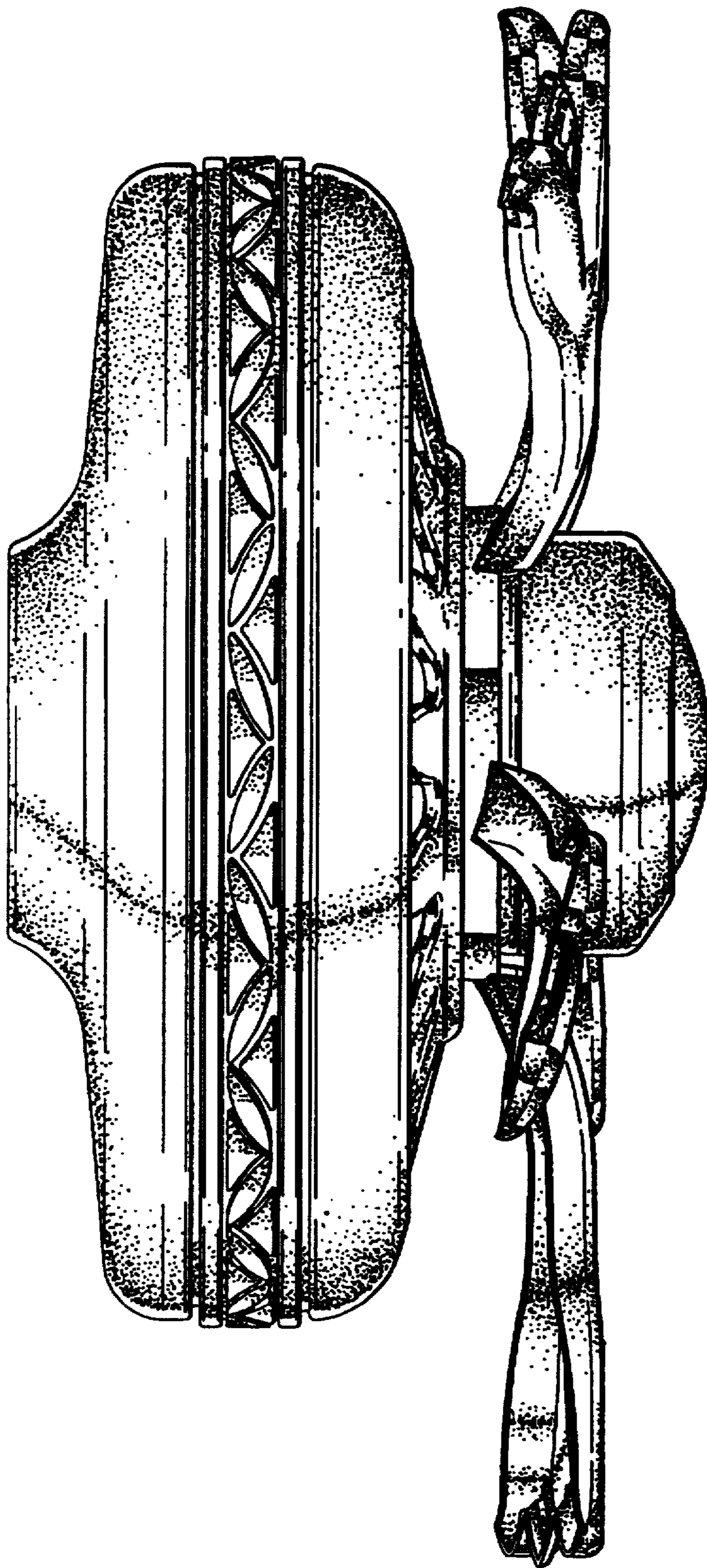


FIG 10

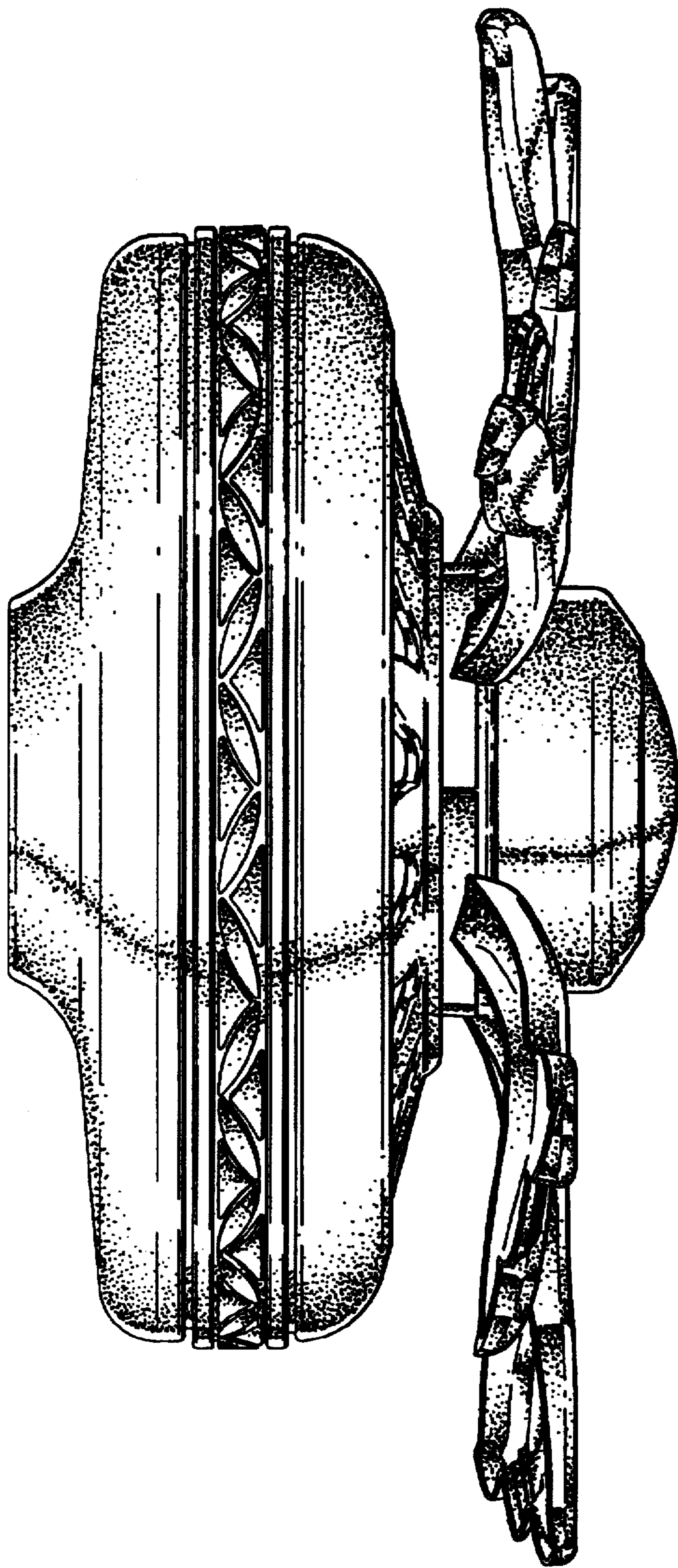


FIG 11

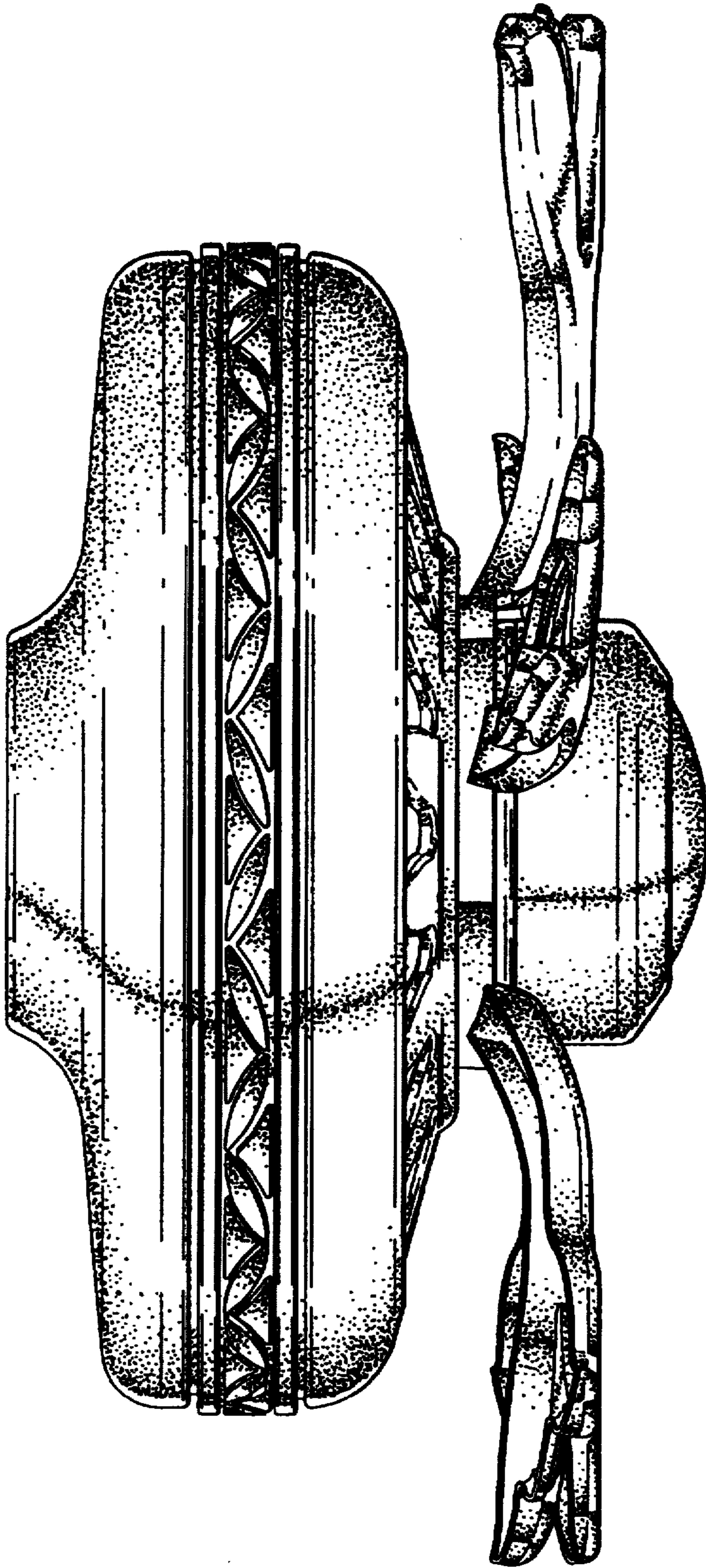


FIG 12

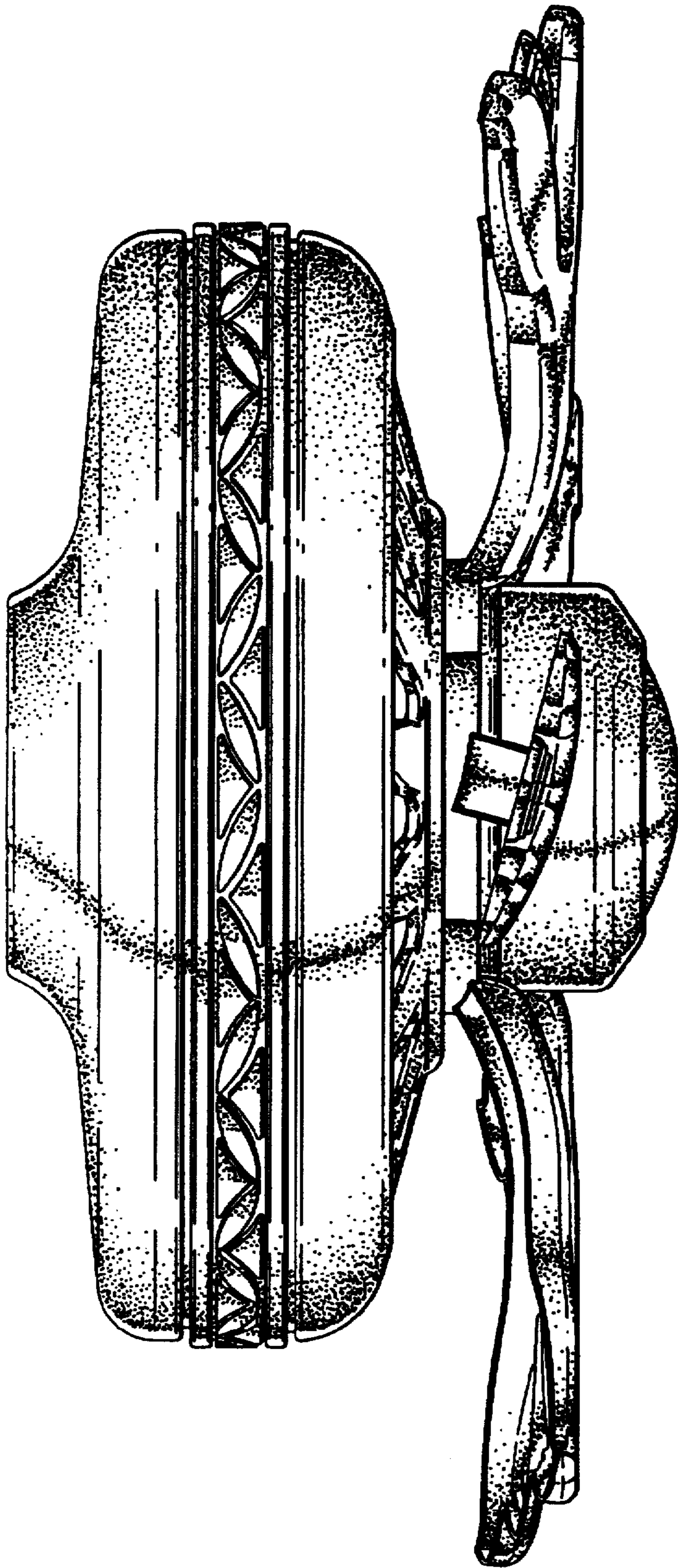


FIG 13

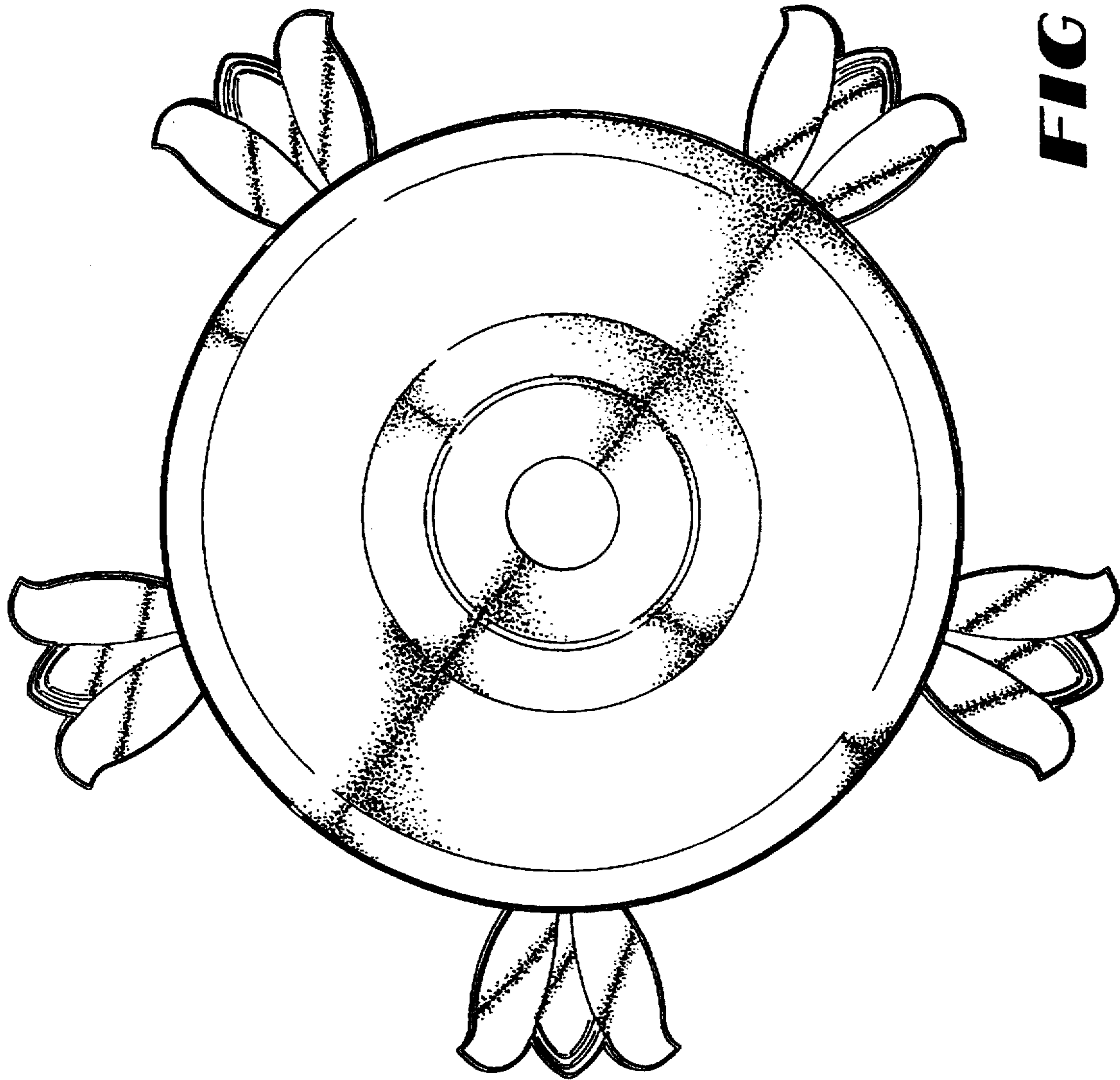


FIG 14