



US00D408522S

United States Patent [19]

[11] Patent Number: Des. 408,522

Tsuji

[45] Date of Patent: \*\*Apr. 20, 1999

[54] COMBINED MOTOR HOUSING, SWITCH HOUSING AND BLADE IRONS UNIT FOR A CEILING FAN

[75] Inventor: Masao Tsuji, Germantown, Tenn.

[73] Assignee: Hunter Fan Company, Memphis, Tenn.

[\*\*] Term: 14 Years

[21] Appl. No.: 29/091,052

[22] Filed: Jul. 22, 1998

[51] LOC (6) CL ..... 23-04

[52] U.S. CL. .... D23/411; D23/377; D23/385

[58] Field of Search ..... D23/377, 379, D23/385, 411; 416/5, 210 R; 392/364; 362/96; D26/81-86, 88, 72, 59, 51

[56] References Cited

U.S. PATENT DOCUMENTS

D. 271,330	11/1983	Yung	.....	D23/411
D. 326,905	6/1992	Scofield	.....	D23/411
D. 358,878	5/1995	Tsuji	.....	D23/377
D. 363,345	10/1995	Wang	.....	D23/377

Primary Examiner—Lisa Lichtenstein  
Attorney, Agent, or Firm—Baker, Donelson, Bearman & Caldwell

[57] CLAIM

The ornamental design for a combined motor housing, switch housing and blade irons unit for a ceiling fan, as shown and described.

DESCRIPTION

FIG. 1 is a perspective view of a combined motor housing, switch housing and blade irons unit for a ceiling fan showing my new design;

FIG. 2 is a perspective view of the design shown in FIG. 1 with the environmental structure removed therefrom;

FIG. 3 is a front view thereof;

FIG. 4 is a right-side view thereof;

FIG. 5 is a rear view thereof;

FIG. 6 is a left-side view thereof;

FIG. 7 is a top view thereof; and

FIG. 8 is a bottom view thereof;

FIG. 9 is a perspective view of a second embodiment of the design shown in FIGS. 1-8;

FIG. 10 is a front view of FIG. 9;

FIG. 11 is a right-side view of FIG. 9;

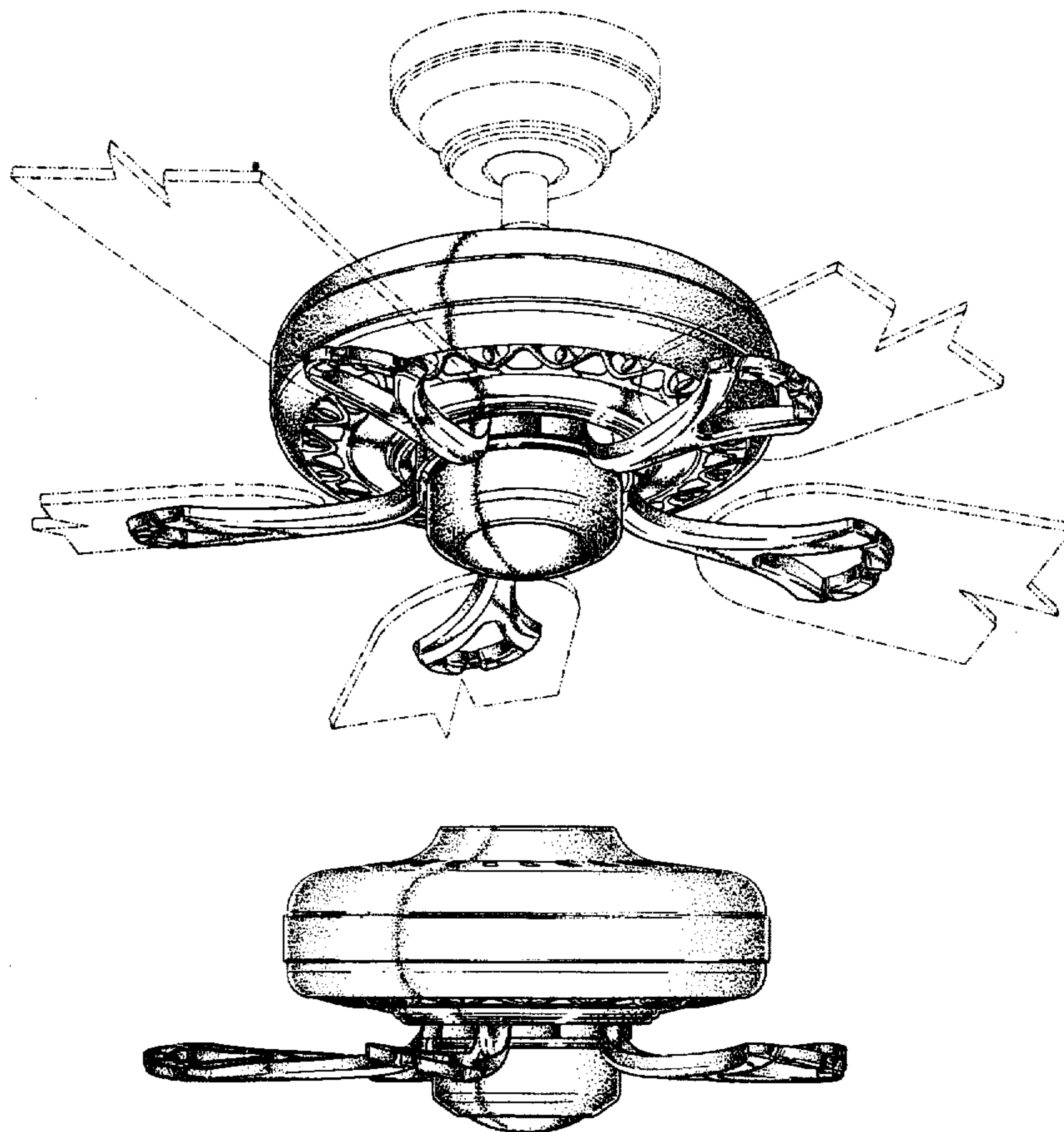
FIG. 12 is a rear view of FIG. 9;

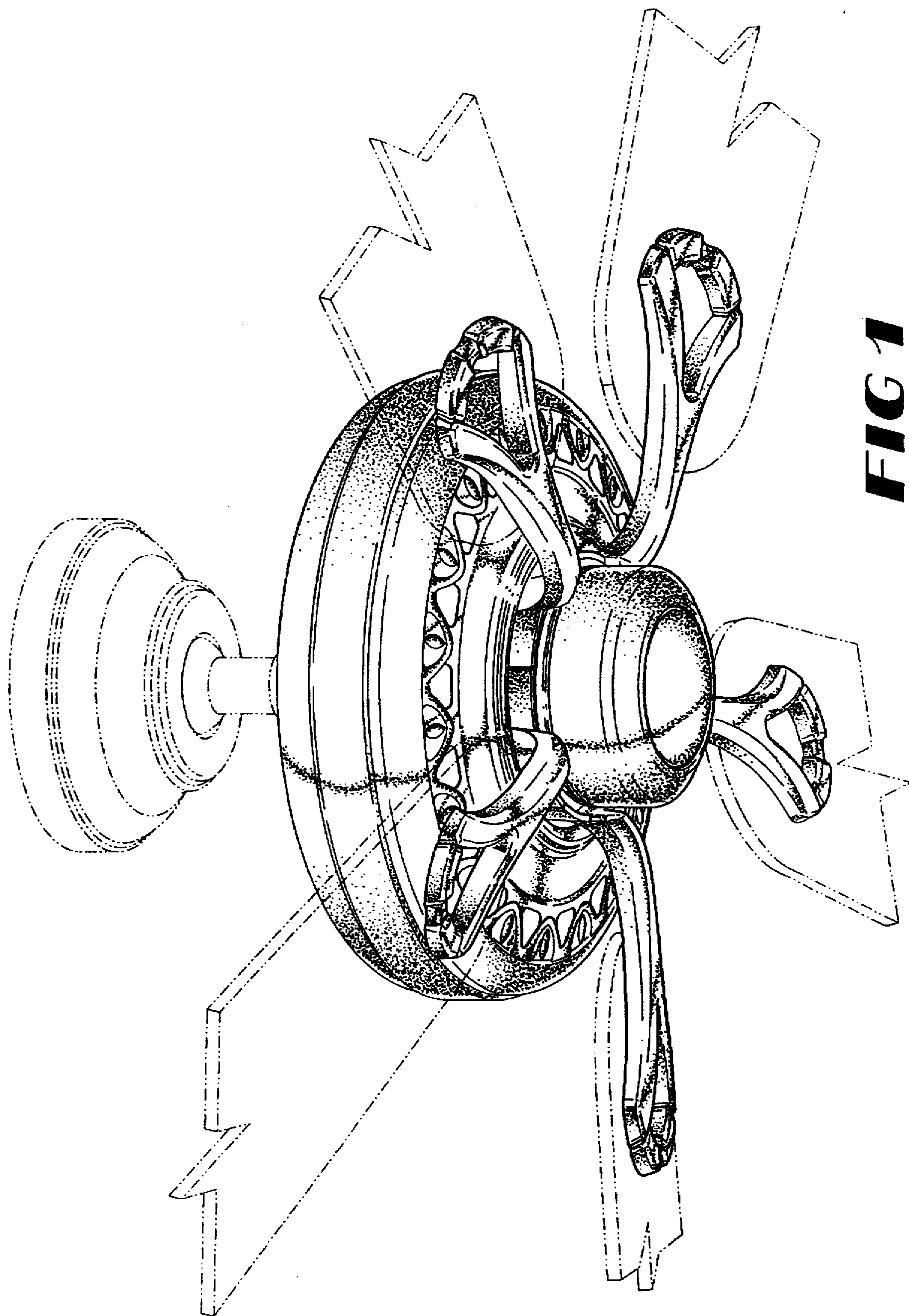
FIG. 13 is a left-side view of FIG. 9; and,

FIG. 14 is a top view of FIG. 9, the bottom view being identical to the bottom view illustrated in FIG. 8.

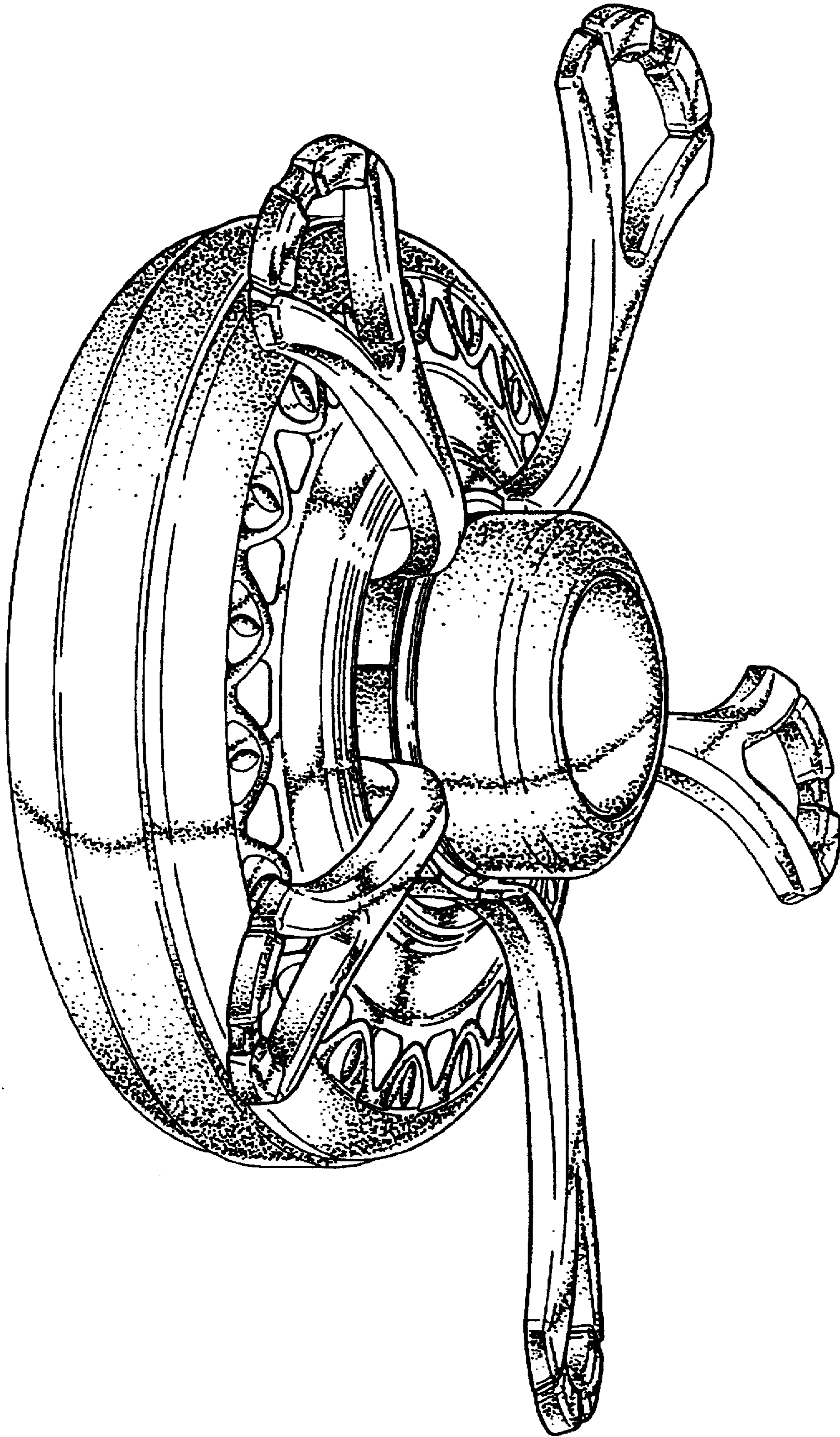
The broken-line showing of environmental structure shown in FIG. 1 is for illustrative purposes only and forms no part of the claimed design.

1 Claim, 14 Drawing Sheets

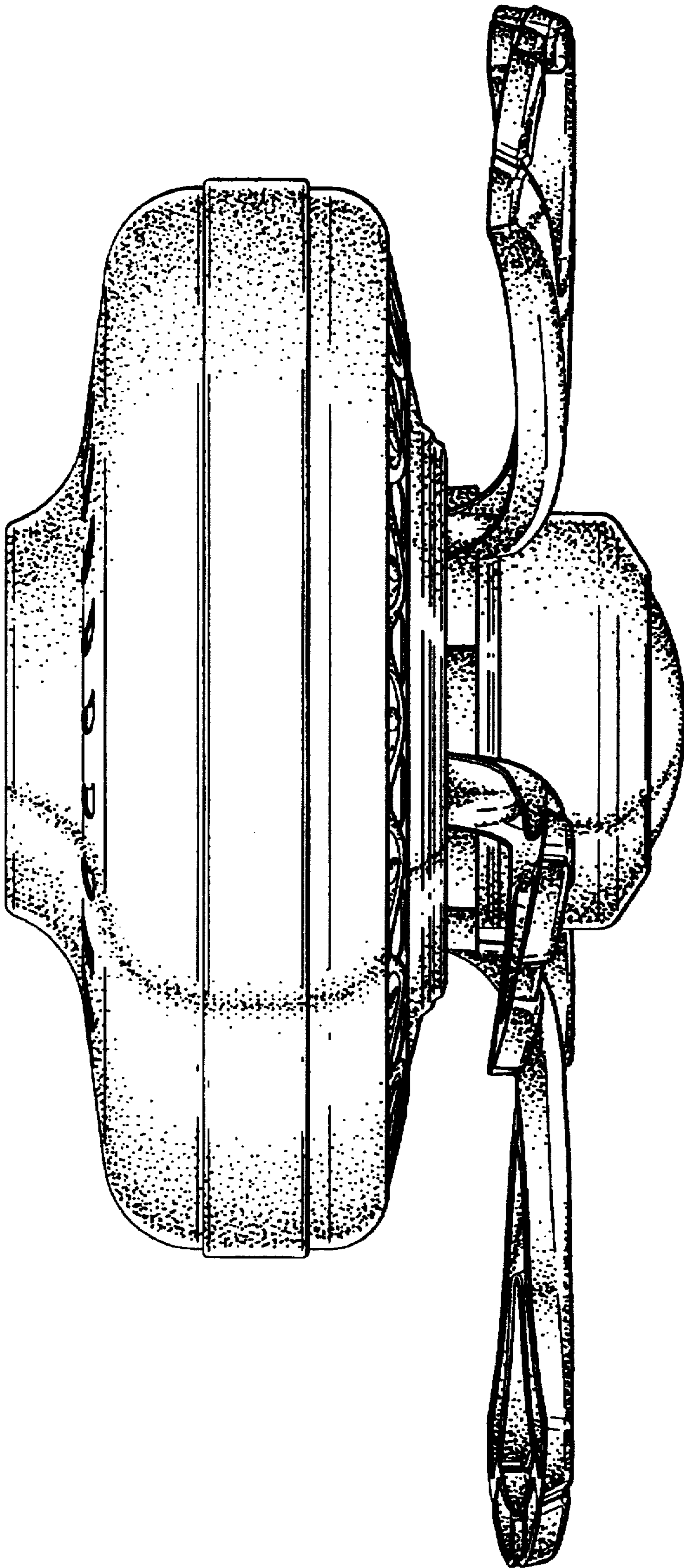




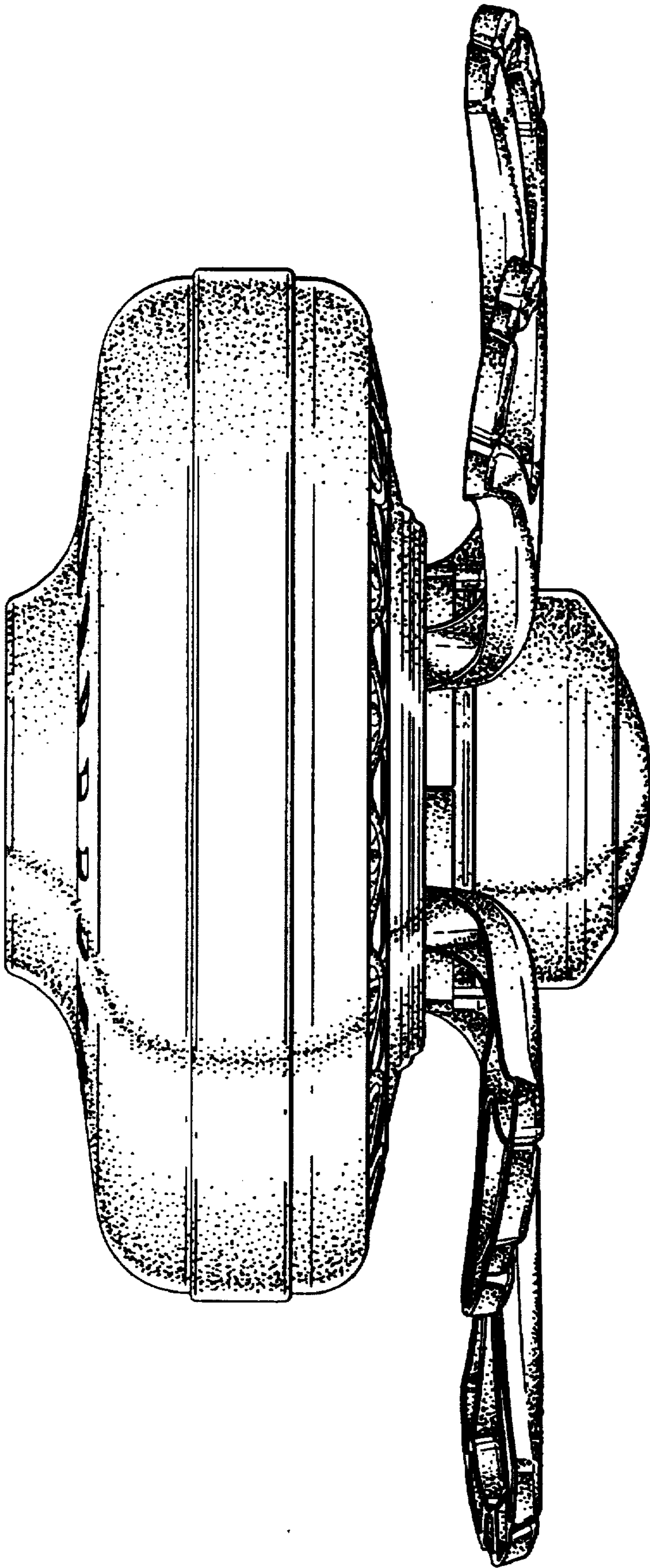
**FIG 1**



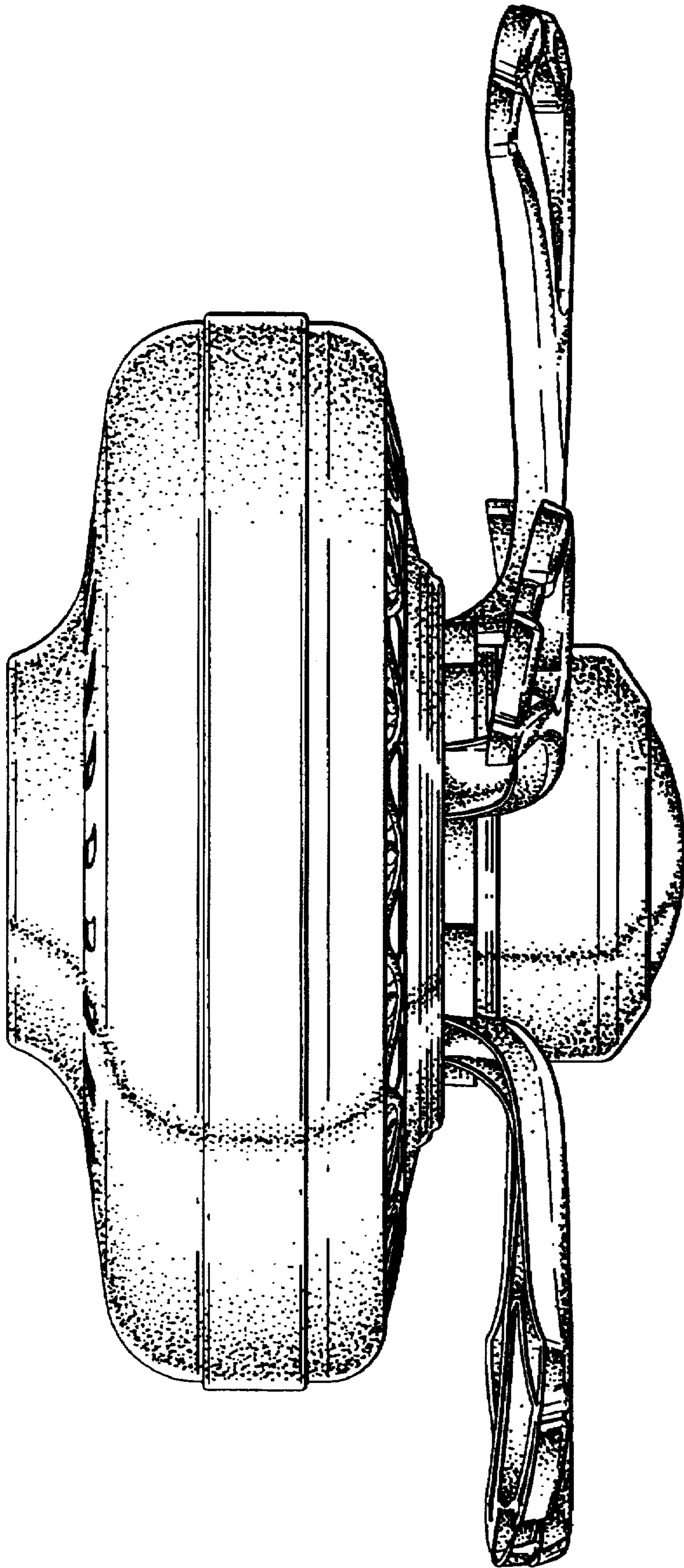
**FIG 2**



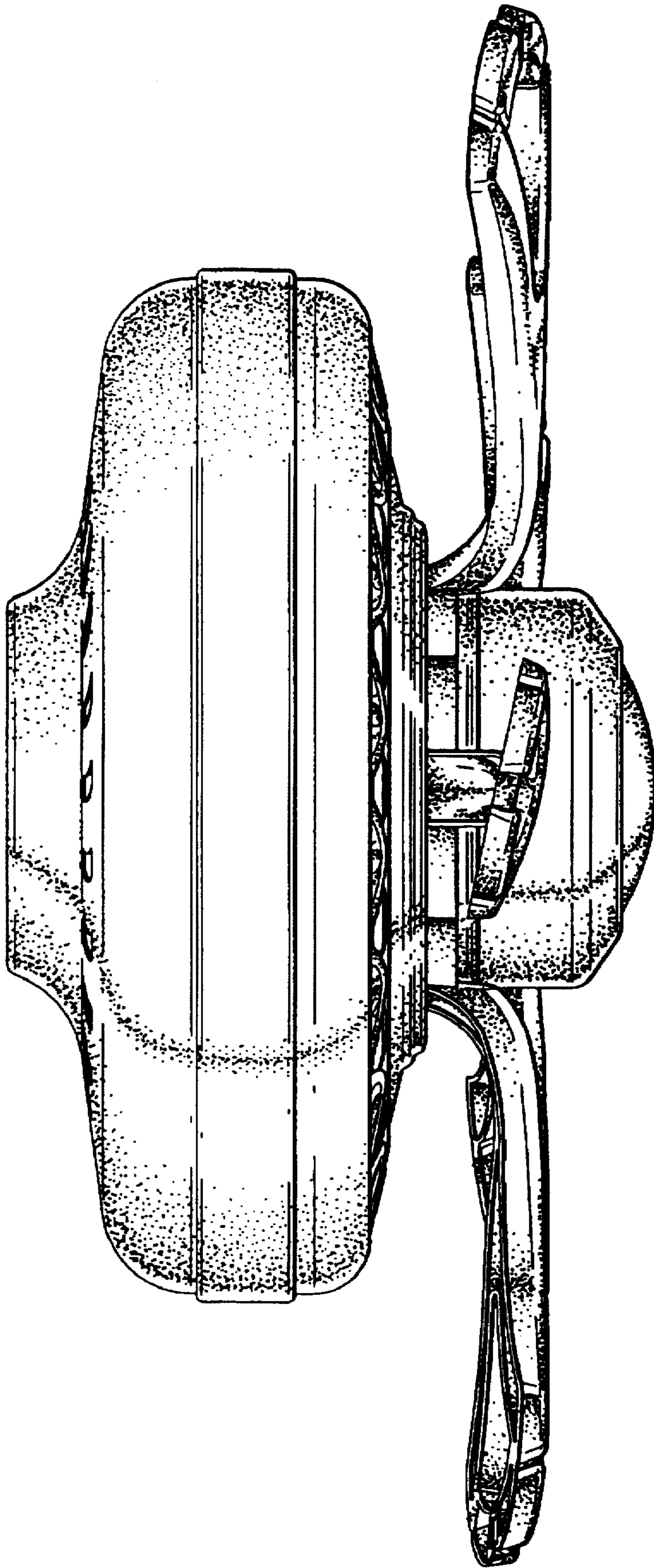
**FIG 3**



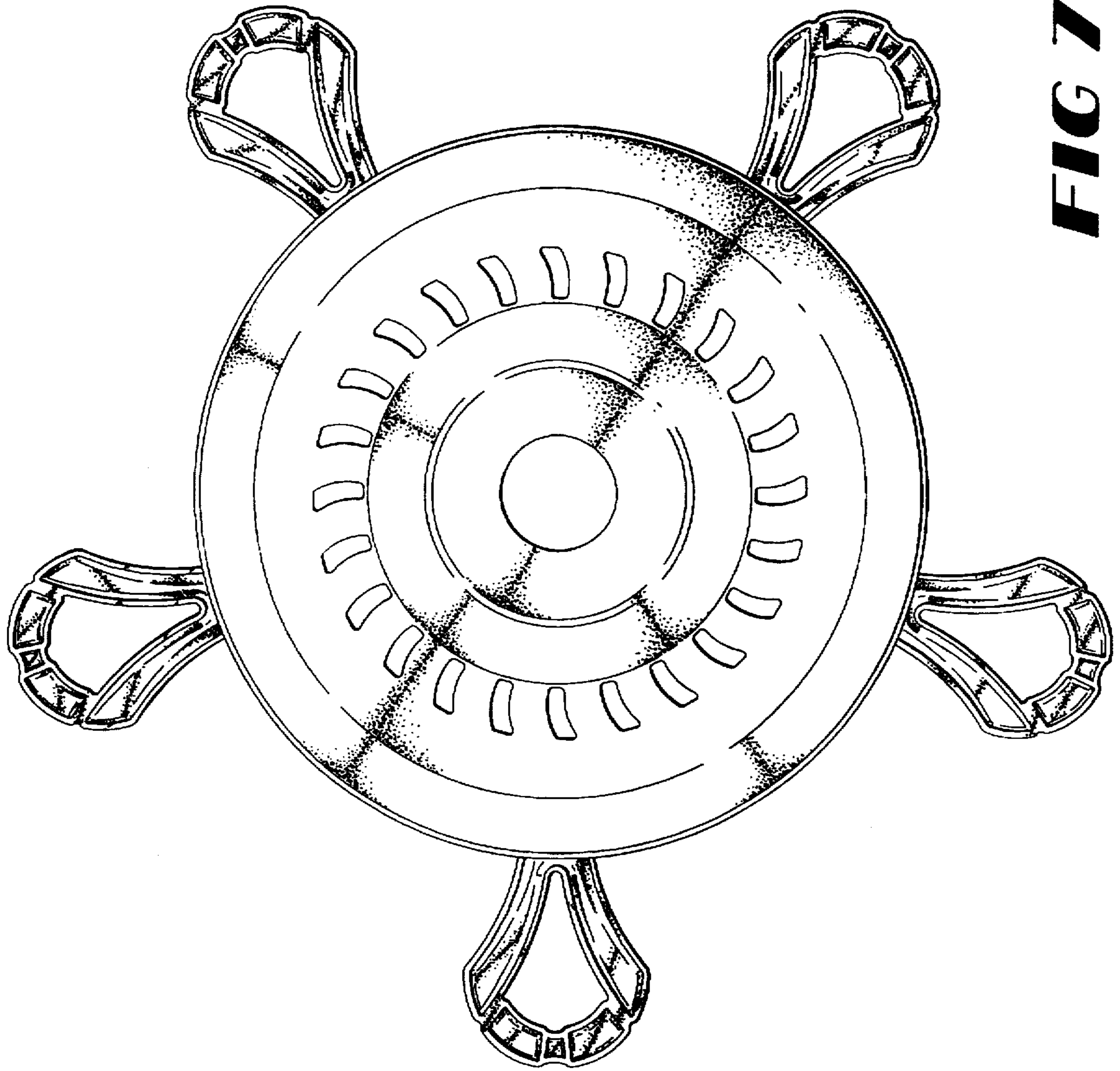
**FIG 4**



**FIG 5**

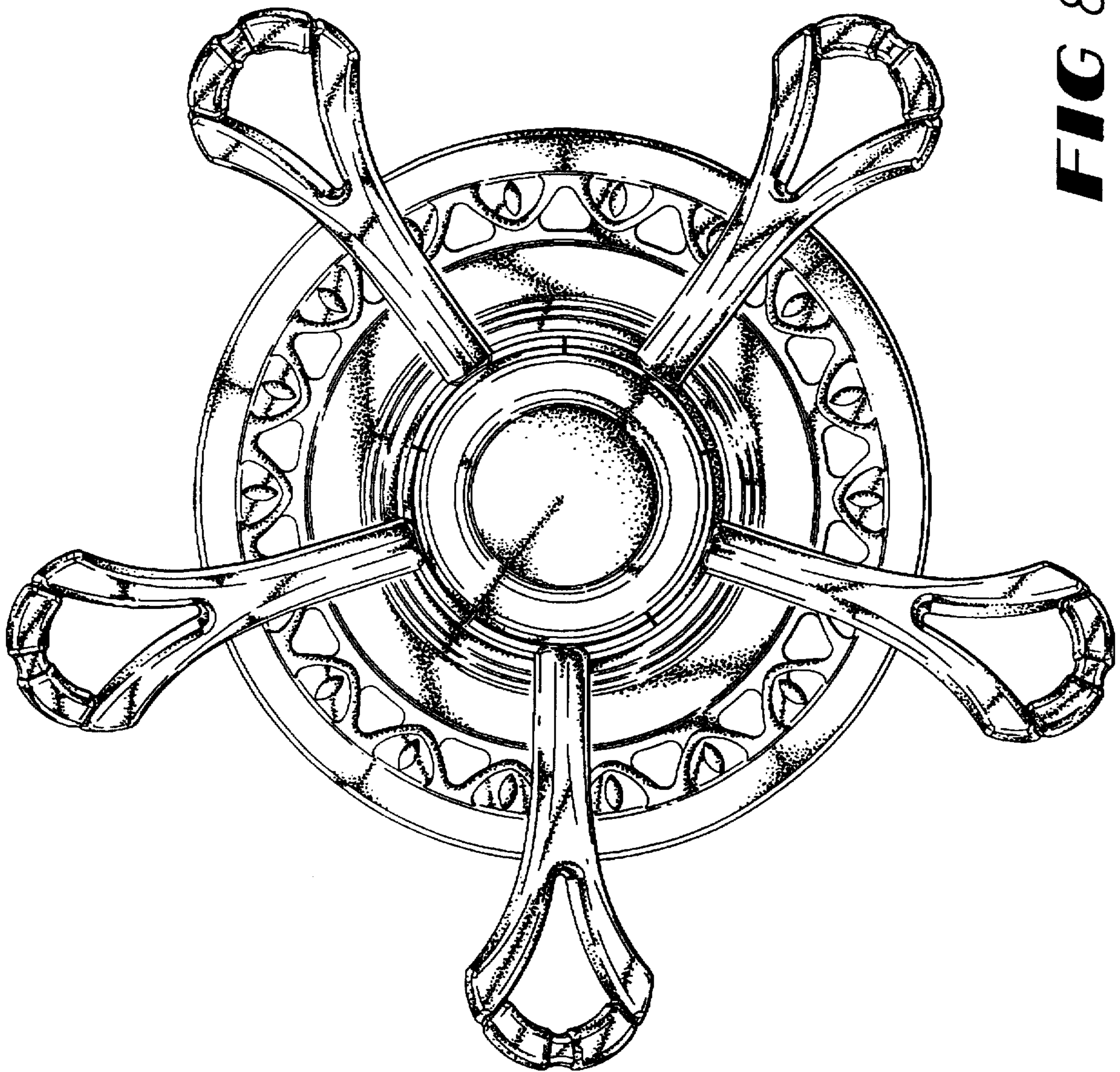


**FIG 6**

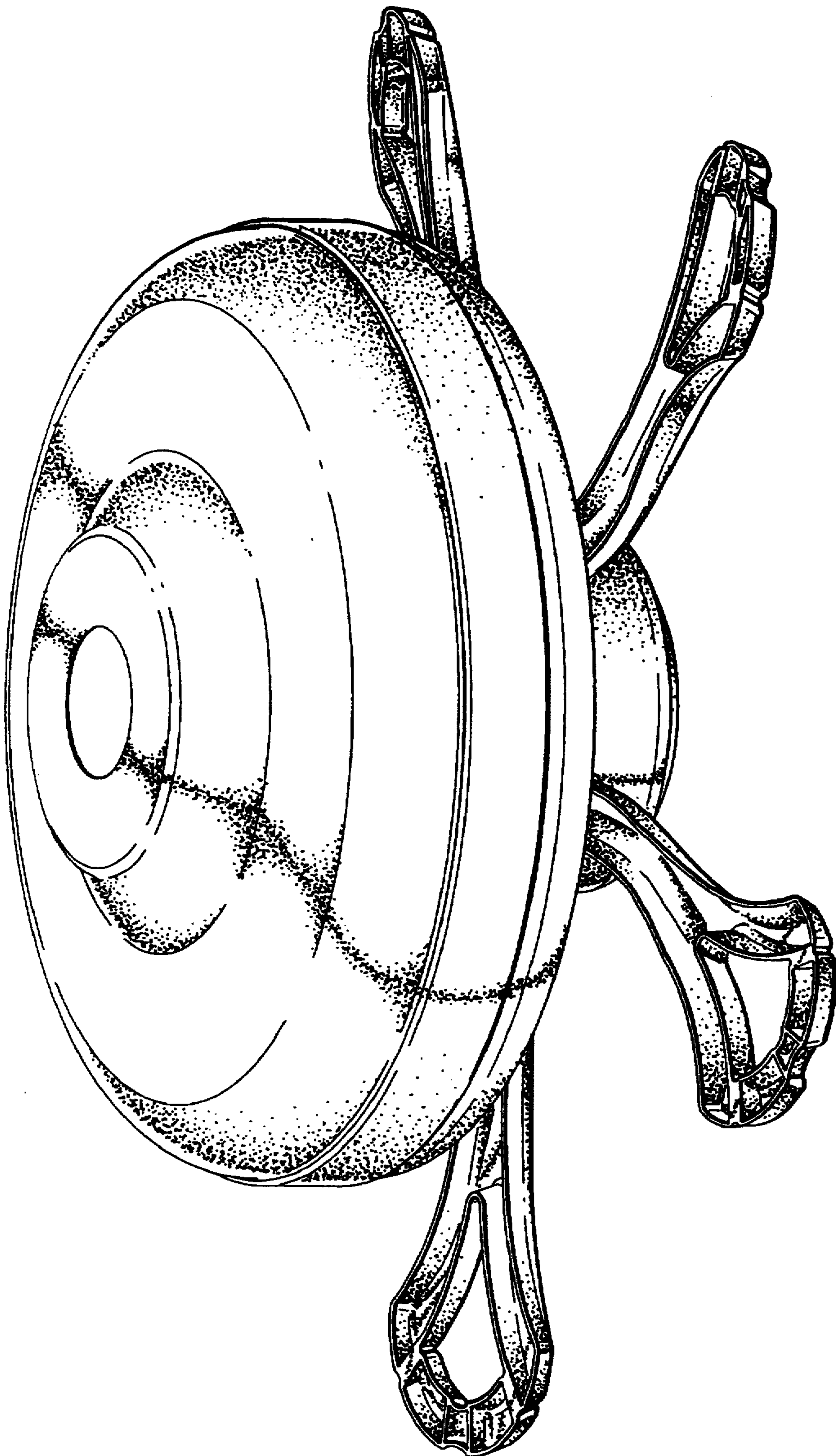


**FIG 7**

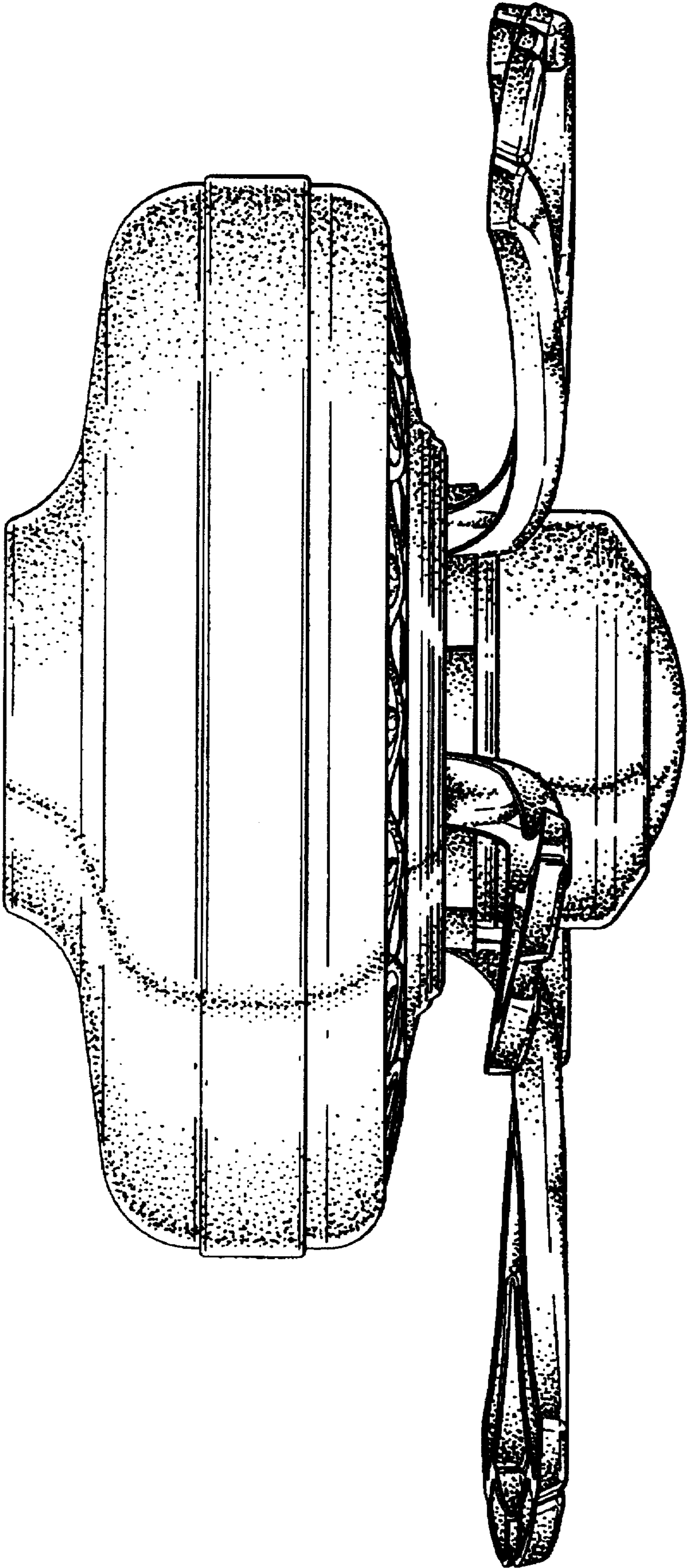




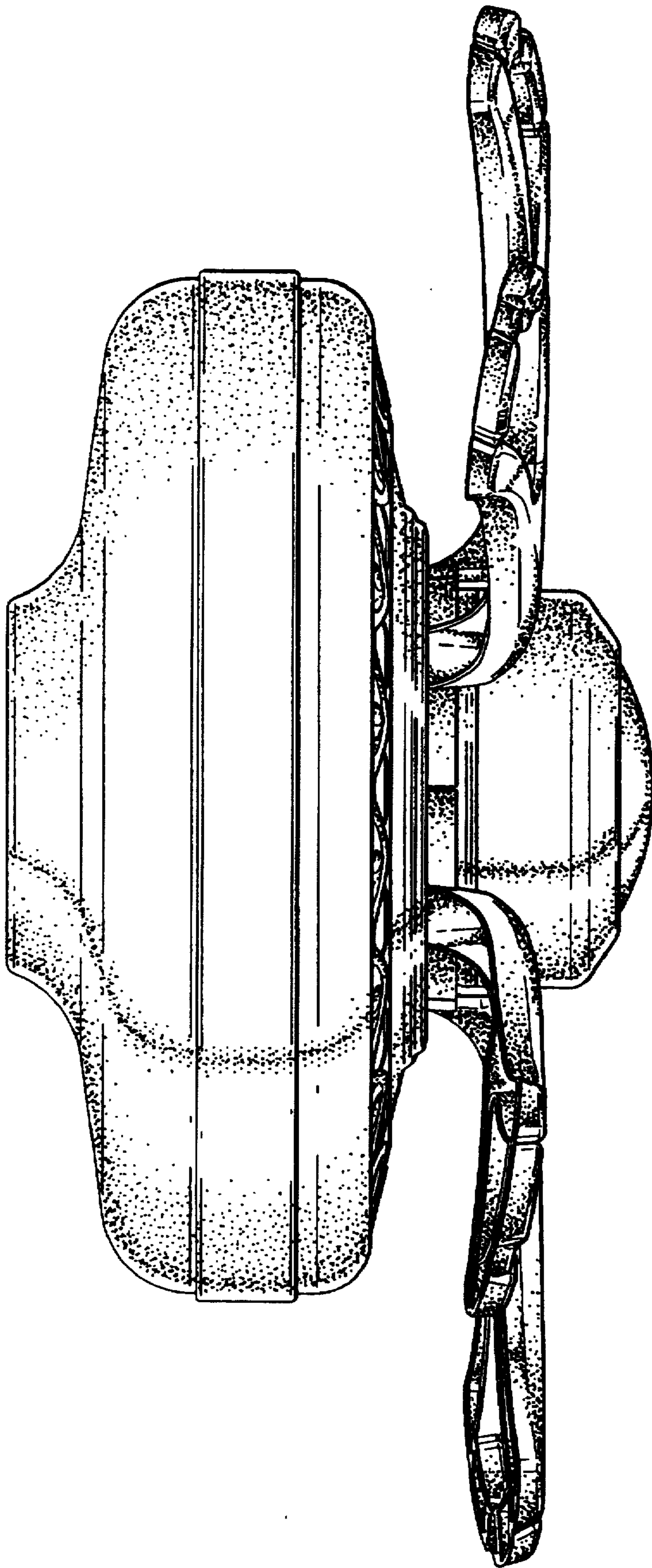
**FIG 8**



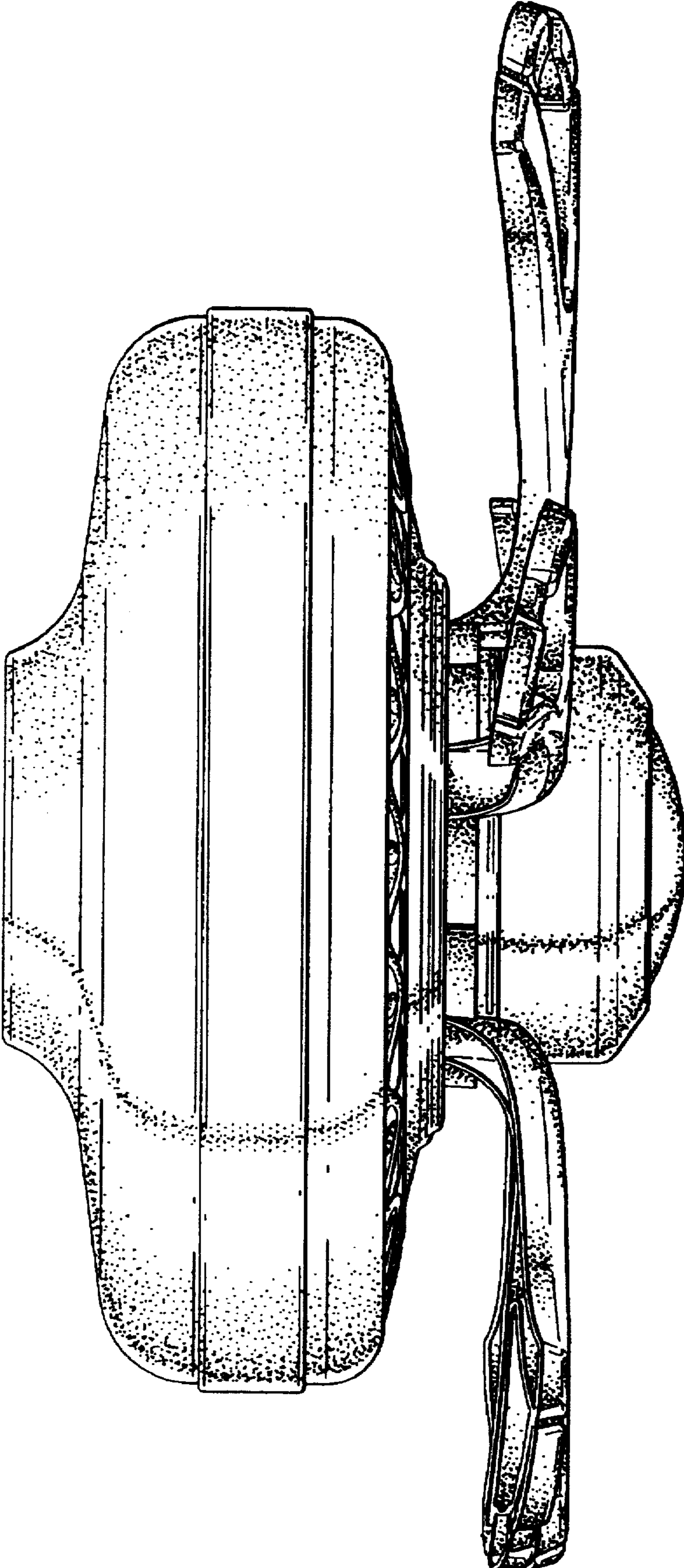
**FIG 9**



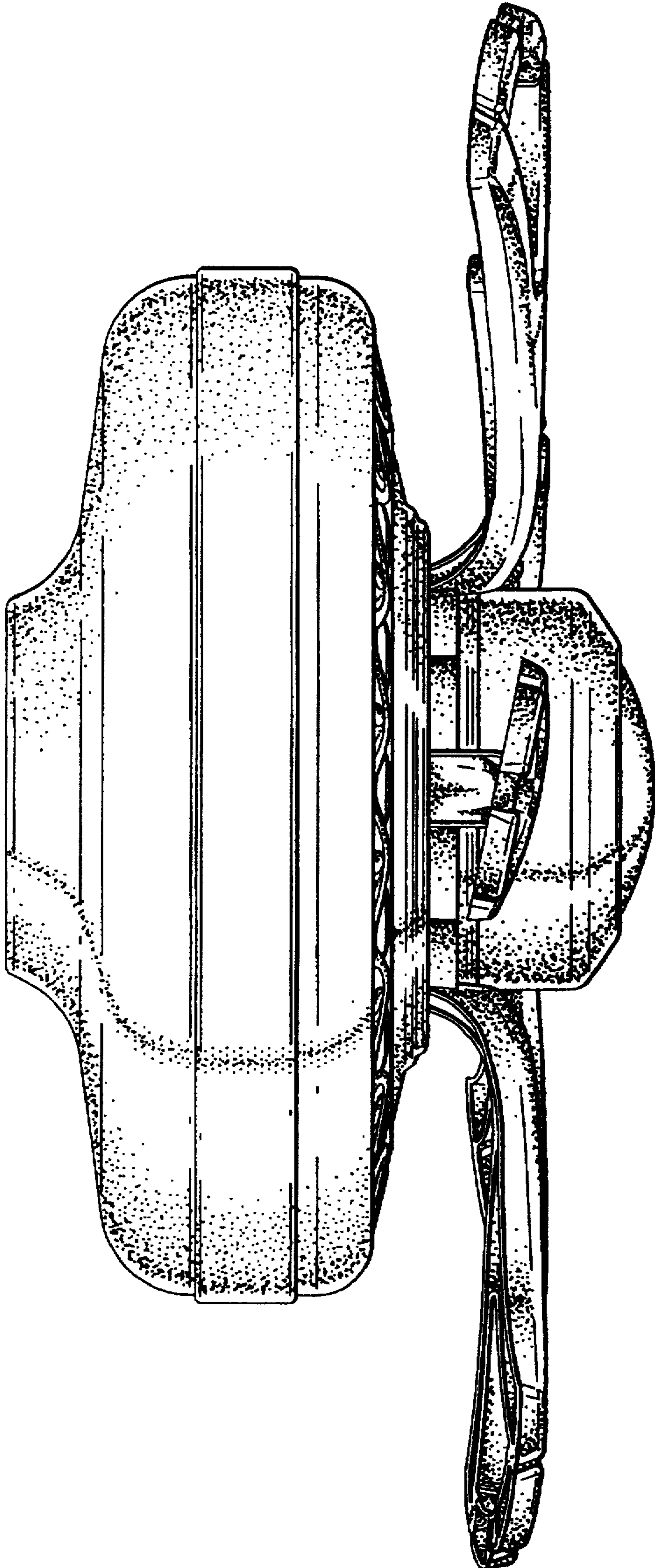
**FIG 10**



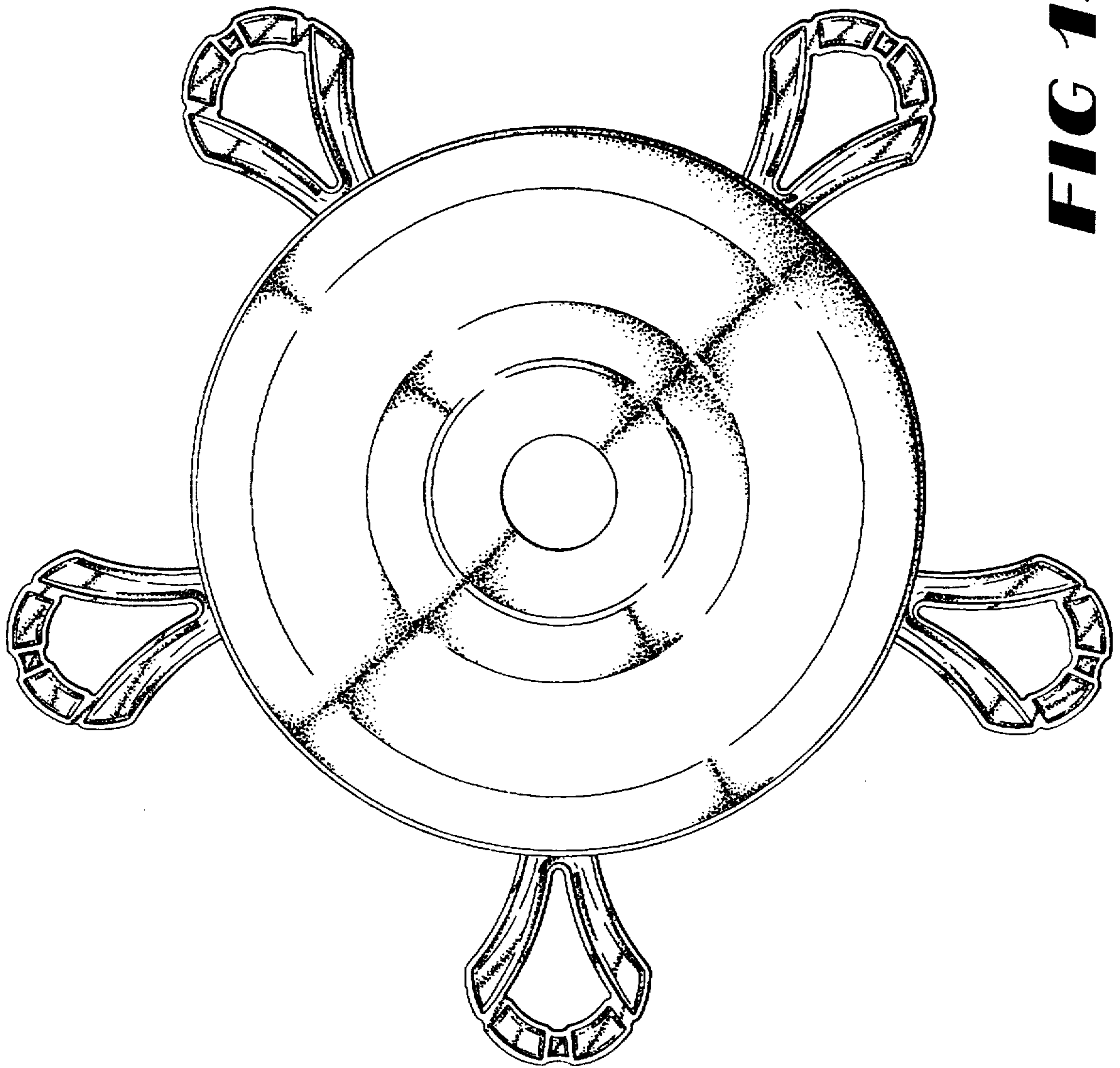
**FIG 11**



**FIG 12**



**FIG 13**



**FIG 14**