



US00D408519S

United States Patent [19]

[11] Patent Number: Des. 408,519

Tsuji et al.

[45] Date of Patent: **Apr. 20, 1999

[54] COMBINED MOTOR HOUSING, BLADE IRONS AND LIGHT FIXTURE UNIT FOR A CEILING FAN

[75] Inventors: Masao Tsuji, Germantown; Bradford C. Zuege, Cordova, both of Tenn.

[73] Assignee: Hunter Fan Company, Memphis, Tenn.

[**] Term: 14 Years

[21] Appl. No.: 29/088,006

[22] Filed: May 13, 1998

[51] LOC (6) CL. 23-04

[52] U.S. Cl. D23/411; D23/377; D23/379

[58] Field of Search D23/377, 379, D23/385, 411; 416/5; 392/364; 362/96; D26/81-86, 88, 51, 59, 72, 80

[56] References Cited PUBLICATIONS

Hunter Fan Co. Cat. p. 83, Ceiling Fan^(A), top of page.

Primary Examiner—Lisa Lichtenstein

Attorney, Agent, or Firm—Baker, Donelson, Bearman & Caldwell

[57] CLAIM

The ornamental design for a combined motor housing, blade irons and light fixture unit for a ceiling fan, as shown and described.

DESCRIPTION

FIG. 1 is a perspective view of a combined motor housing, blade irons and light fixture unit for a ceiling fan showing our new design;

FIG. 2 is an additional perspective view of the combined motor housing, blade irons and light fixture unit for a ceiling fan shown FIG. 1 with the environmental structure removed;

FIG. 3 is a front view thereof;

FIG. 4 is a right-side view thereof;

FIG. 5 is a rear view thereof;

FIG. 6 is a left-side view thereof;

FIG. 7 is a top view thereof;

FIG. 8 is a bottom view thereof;

FIG. 9 is a perspective view of a second embodiment of our new design for a combined motor housing, blade irons and light fixture unit for a ceiling fan;

FIG. 10 is a front view of FIG. 9;

FIG. 11 is a right-side view of FIG. 9;

FIG. 12 is a rear view of FIG. 9;

FIG. 13 is a left-side view of FIG. 9;

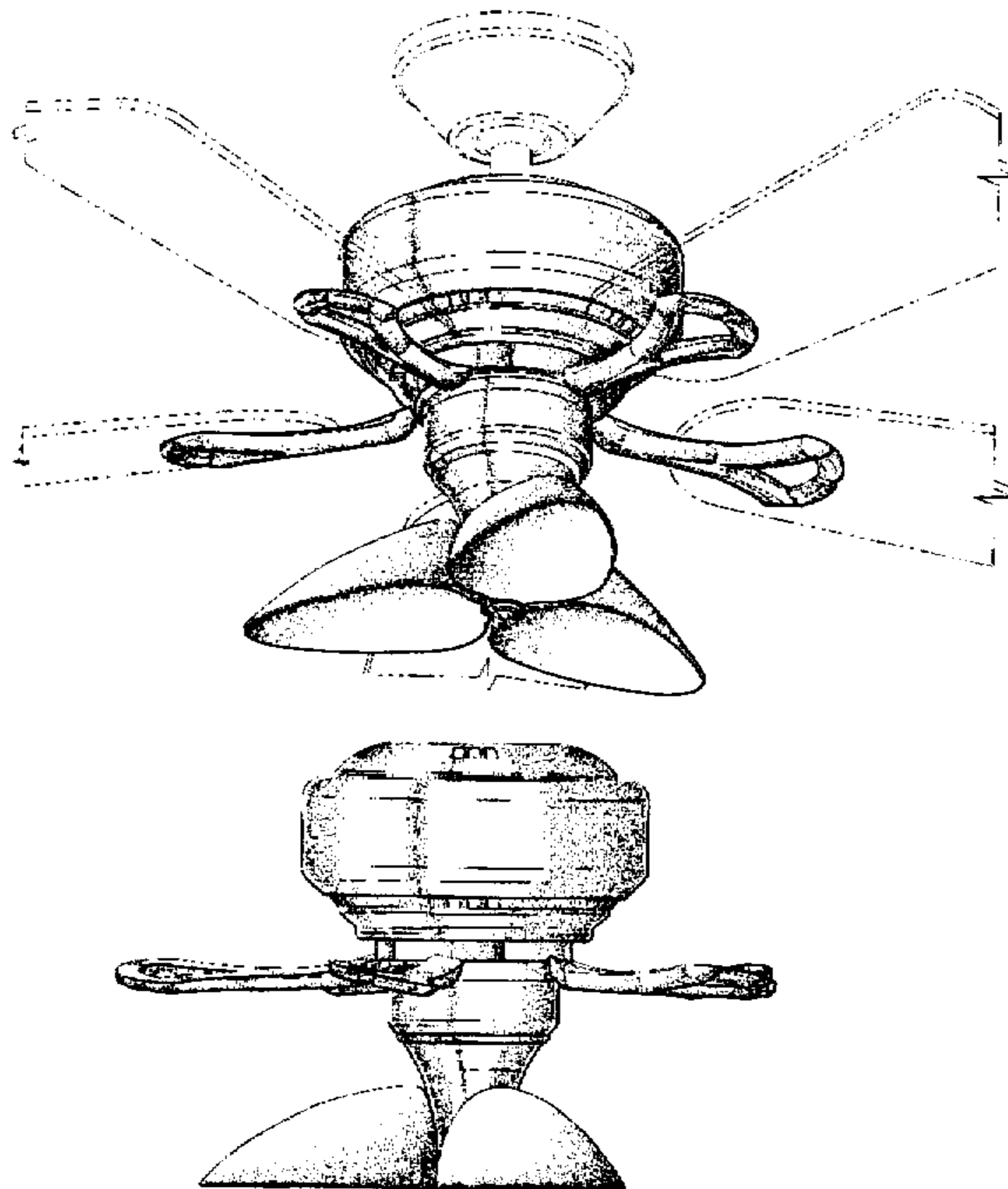
FIG. 14 is a bottom view of FIG. 9;

FIG. 15 is a top view of FIG. 9; and,

FIG. 16 is a perspective view of the combined motor housing, and blade irons portion of the combined motor housing, blade irons and light fixture unit for a ceiling fan, shown separately for clarity of illustration.

The broken line showing of environmental structure in FIGS. 1 and 16 is for illustrative purposes only and forms no part of the claimed design.

1 Claim, 12 Drawing Sheets



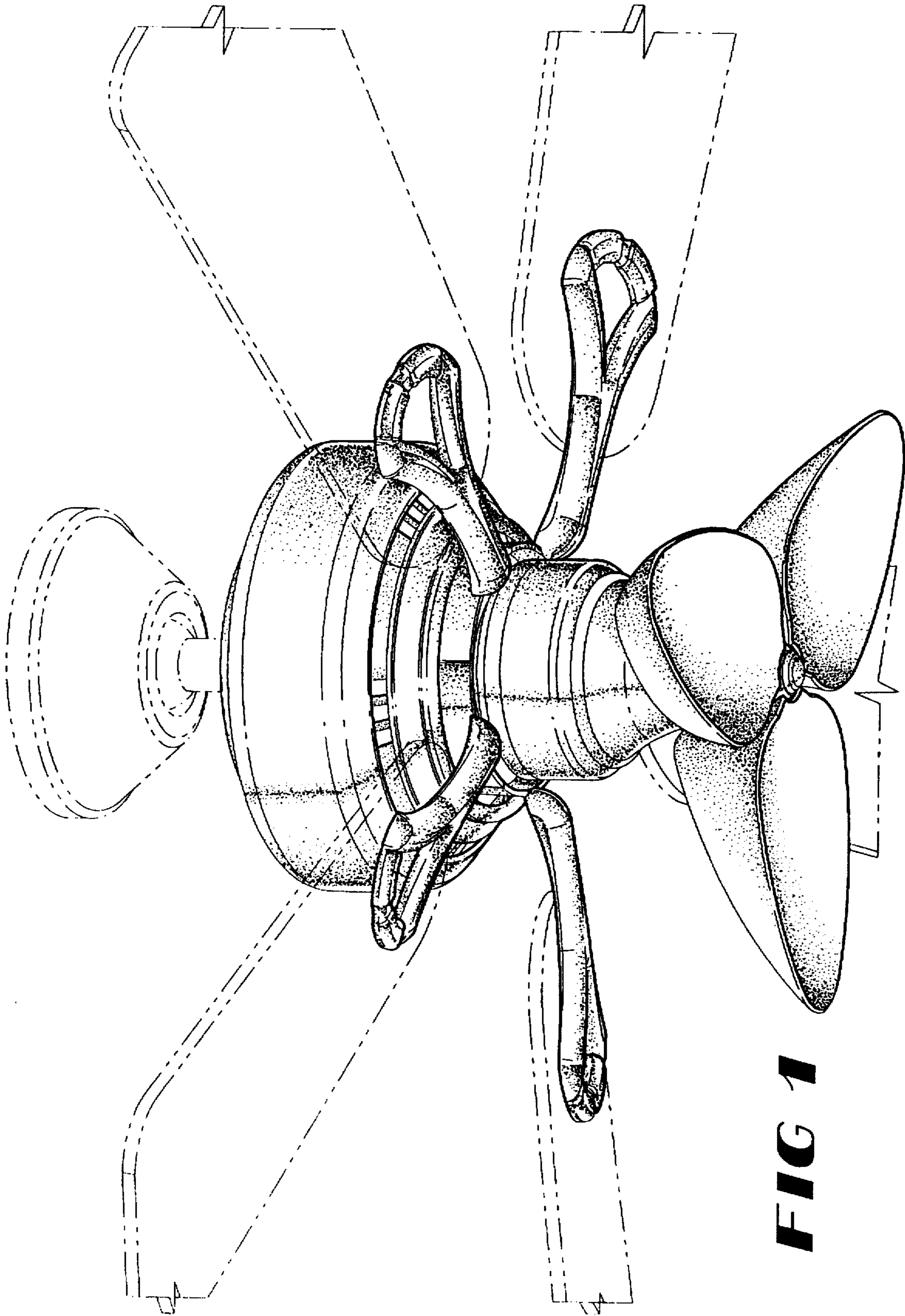


FIG 1

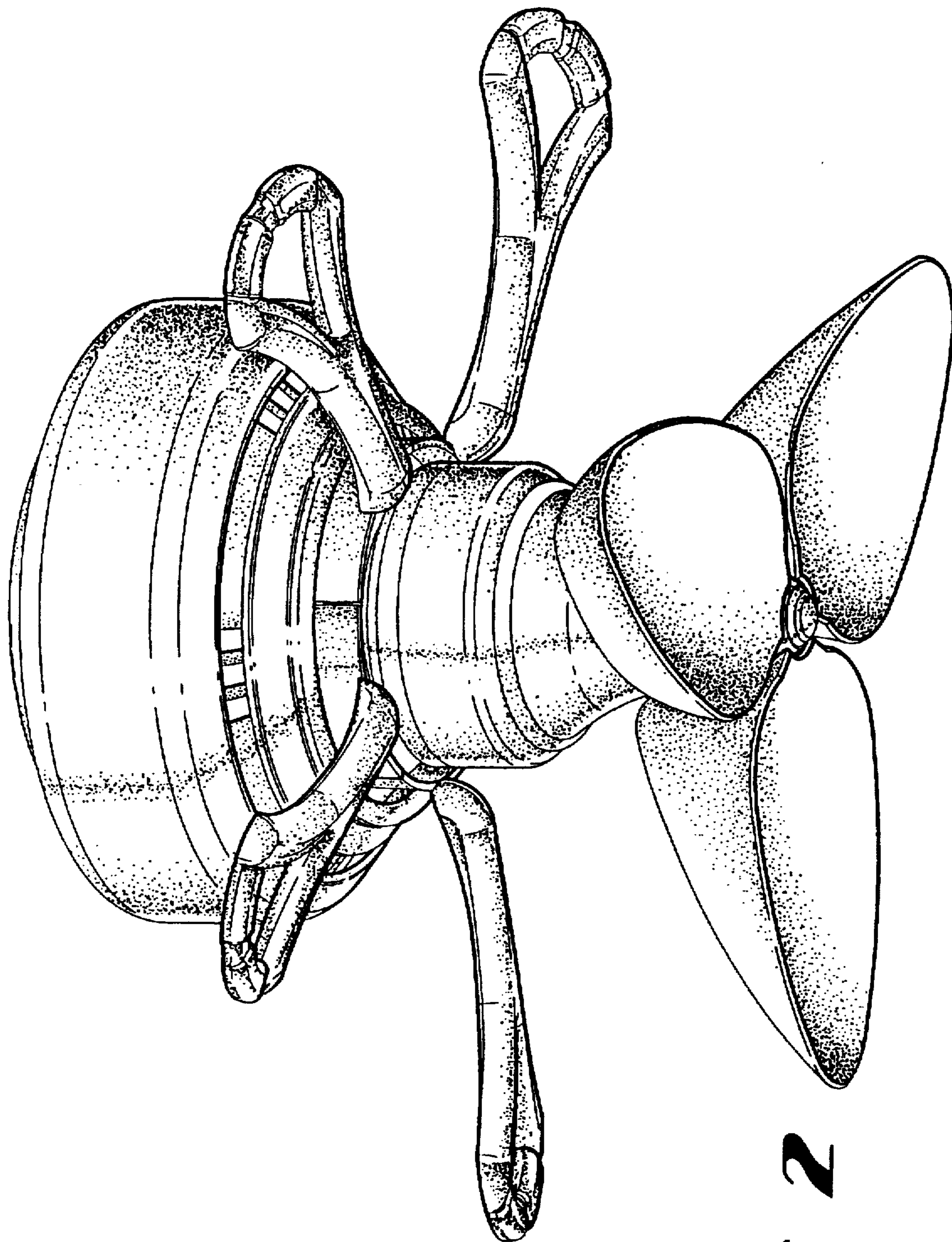


FIG 2

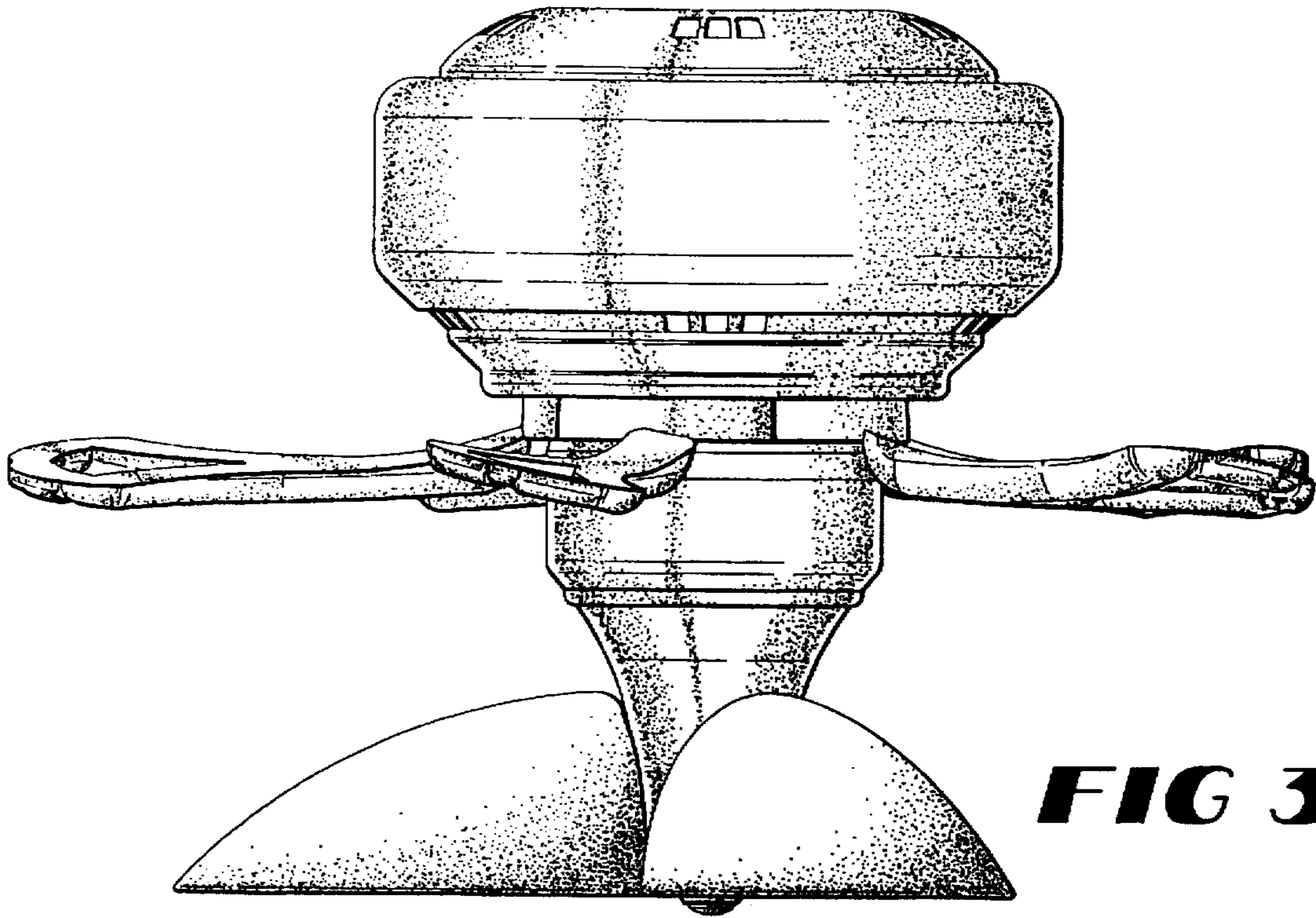


FIG 3

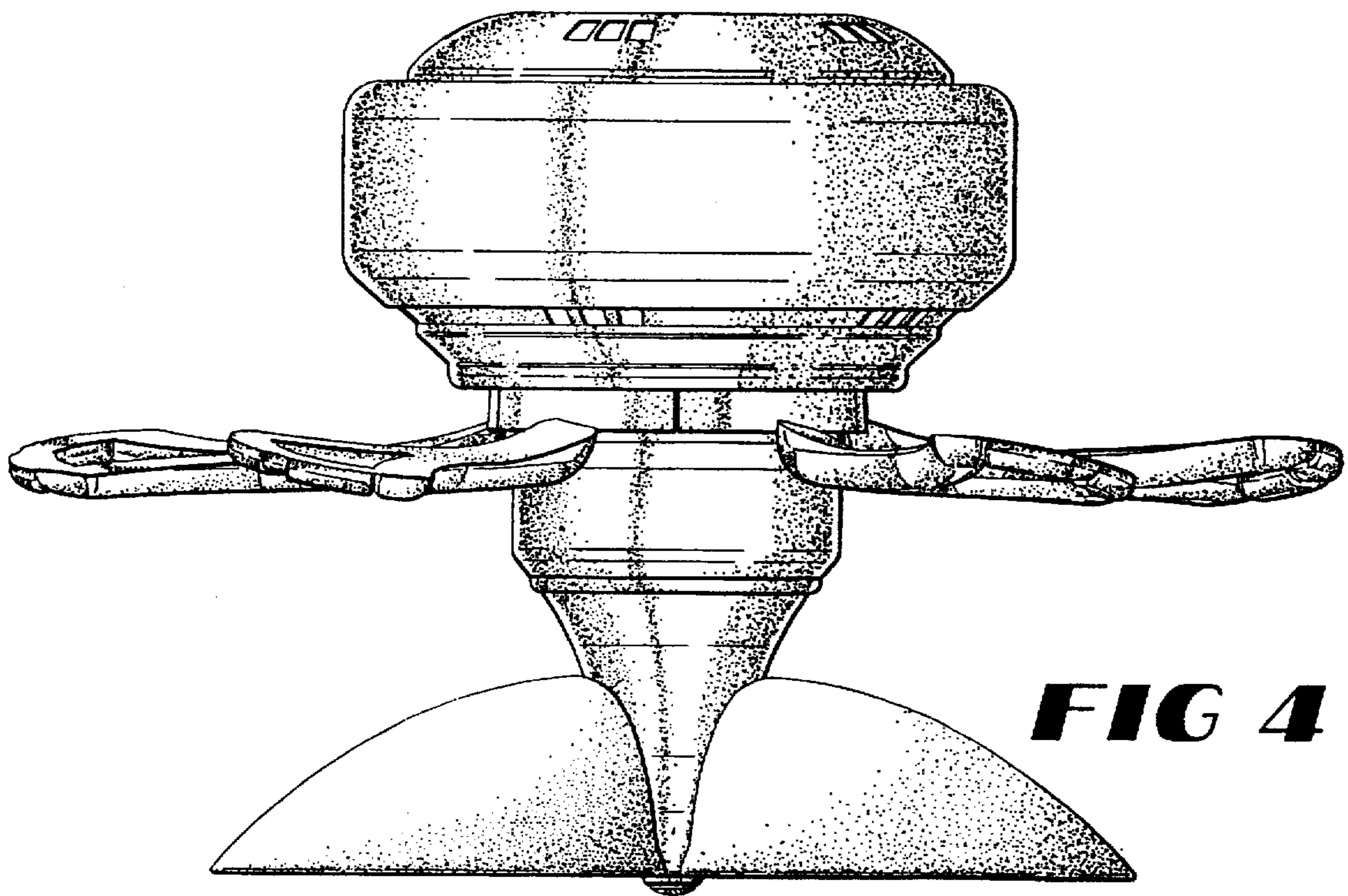


FIG 4

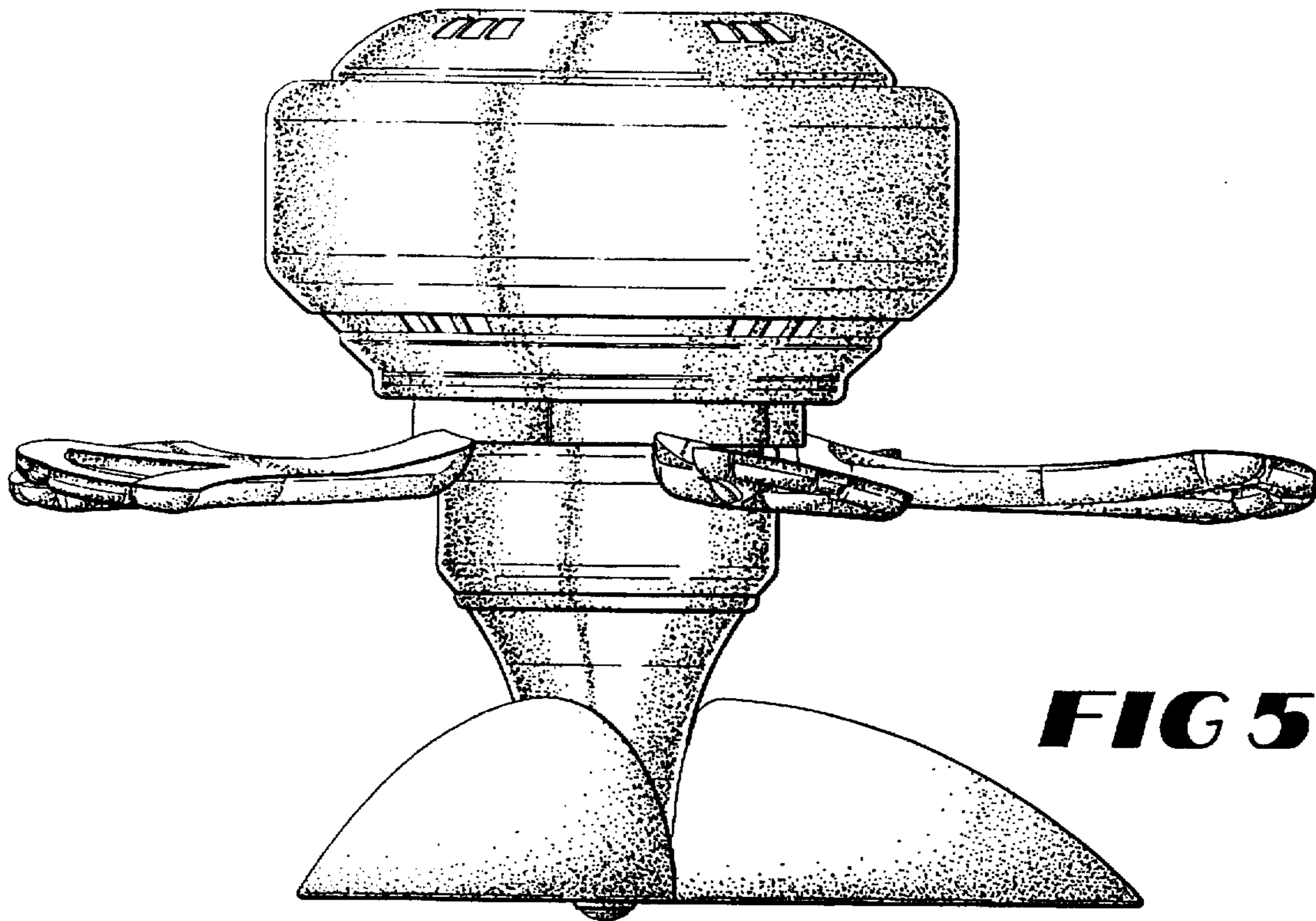


FIG 5

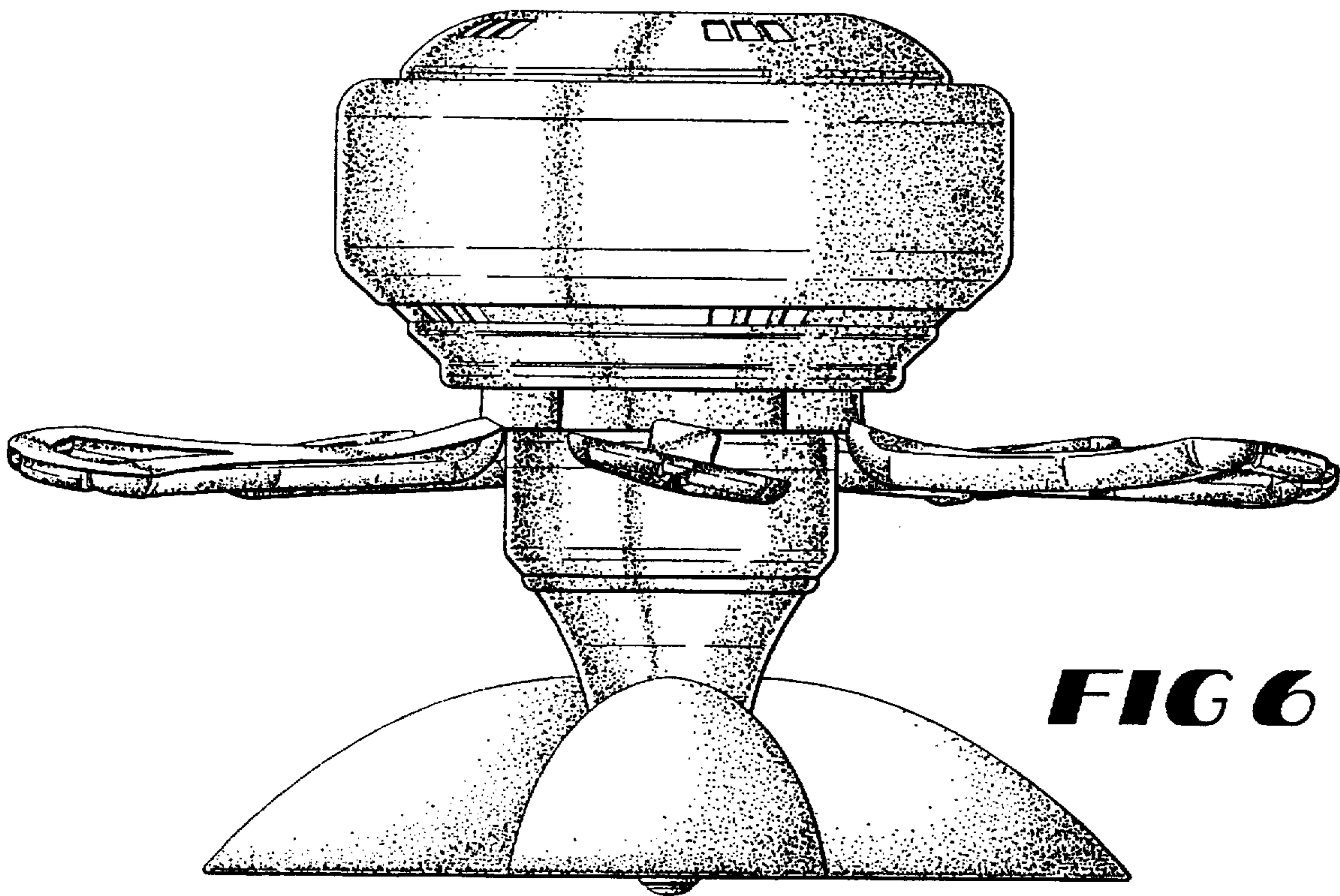


FIG 6

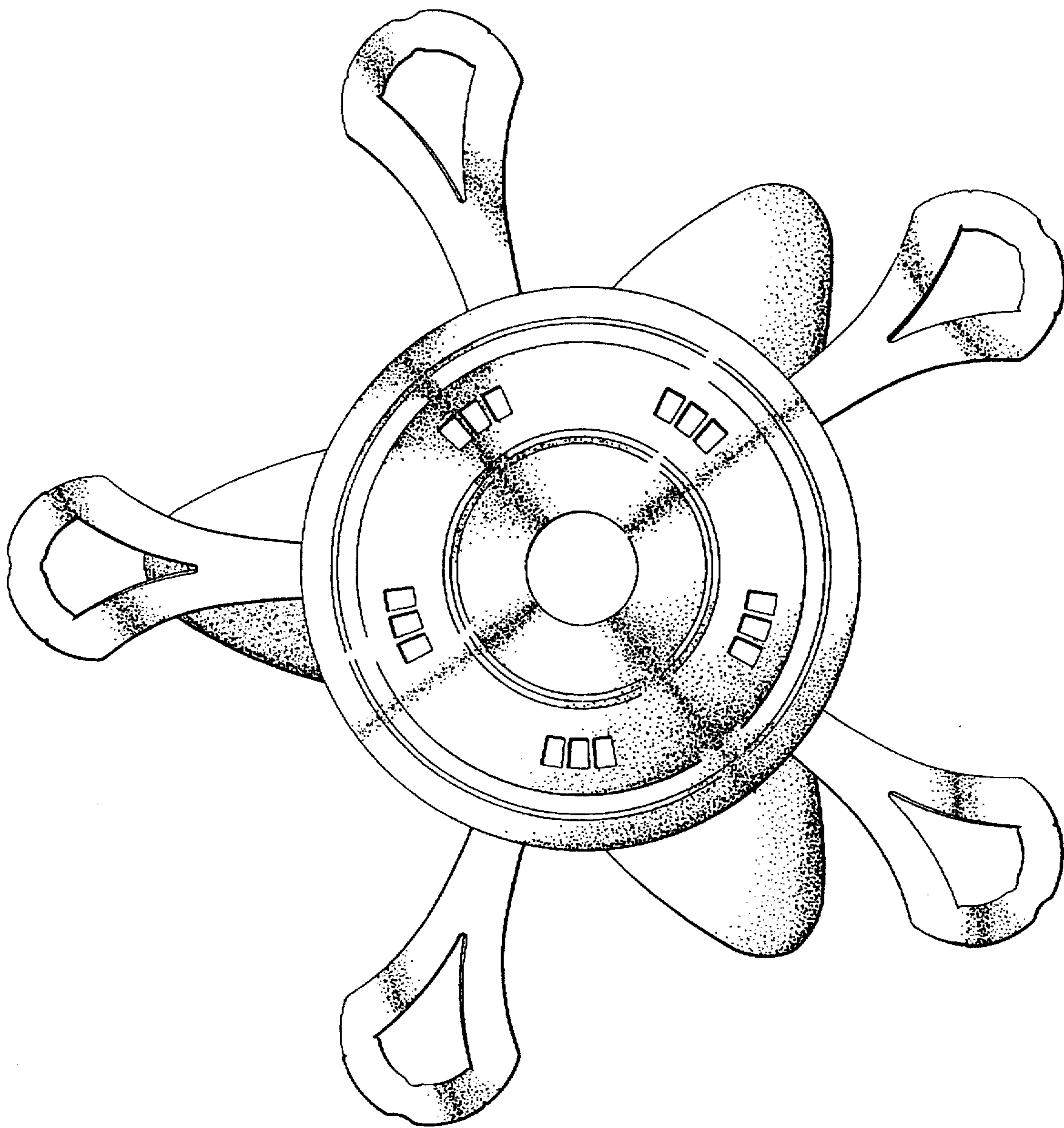


FIG 7

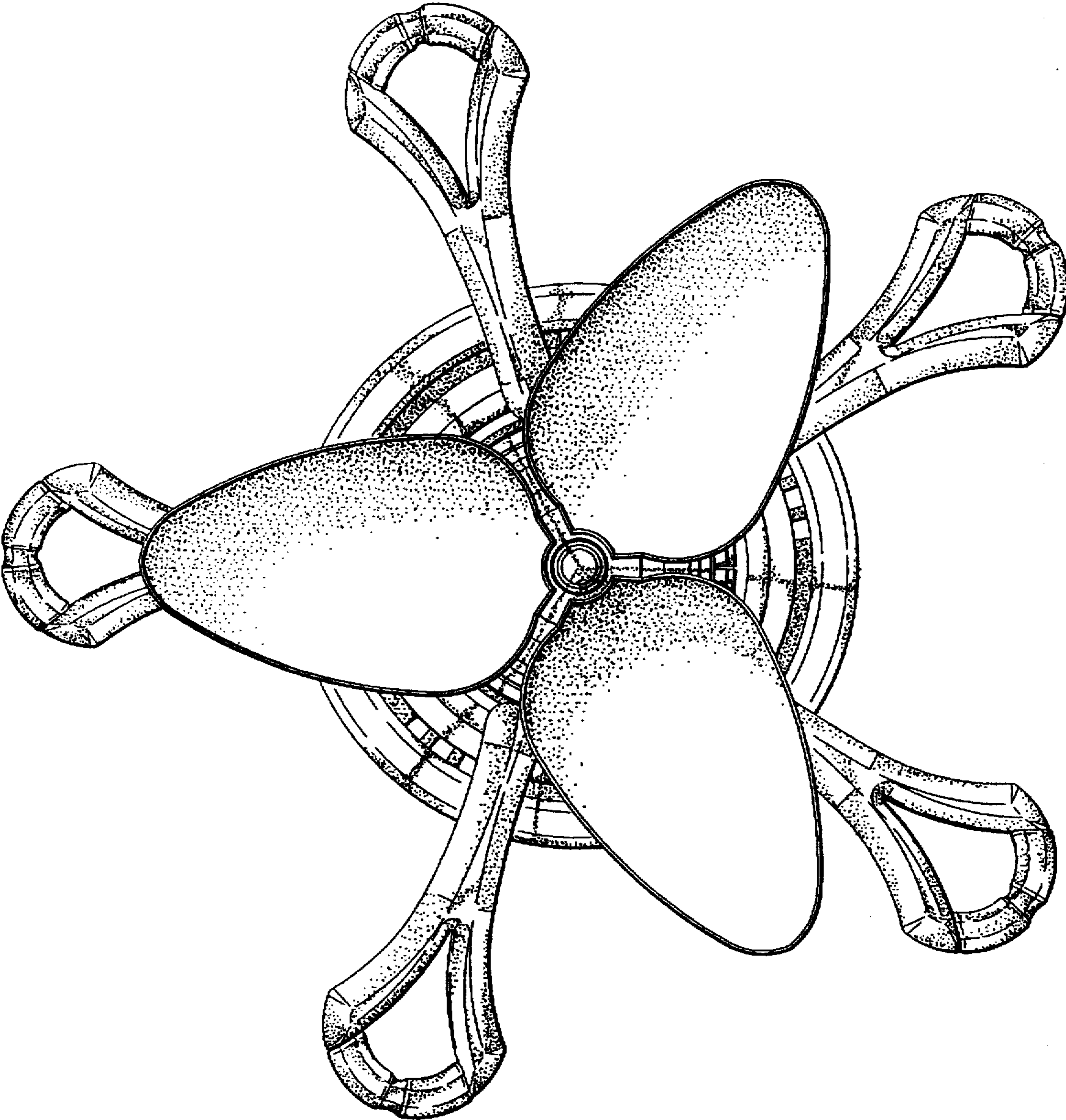


FIG 8

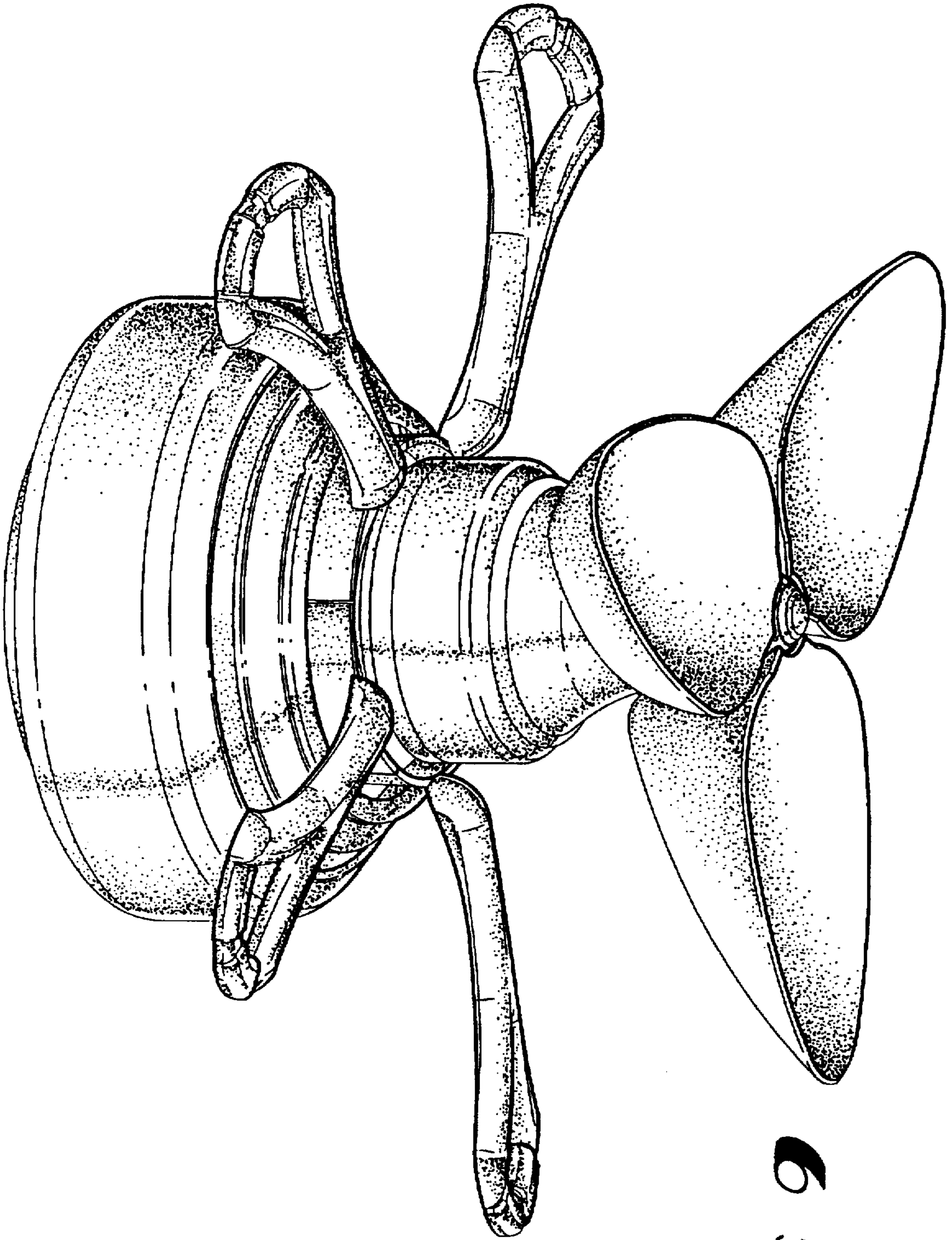


FIG 9

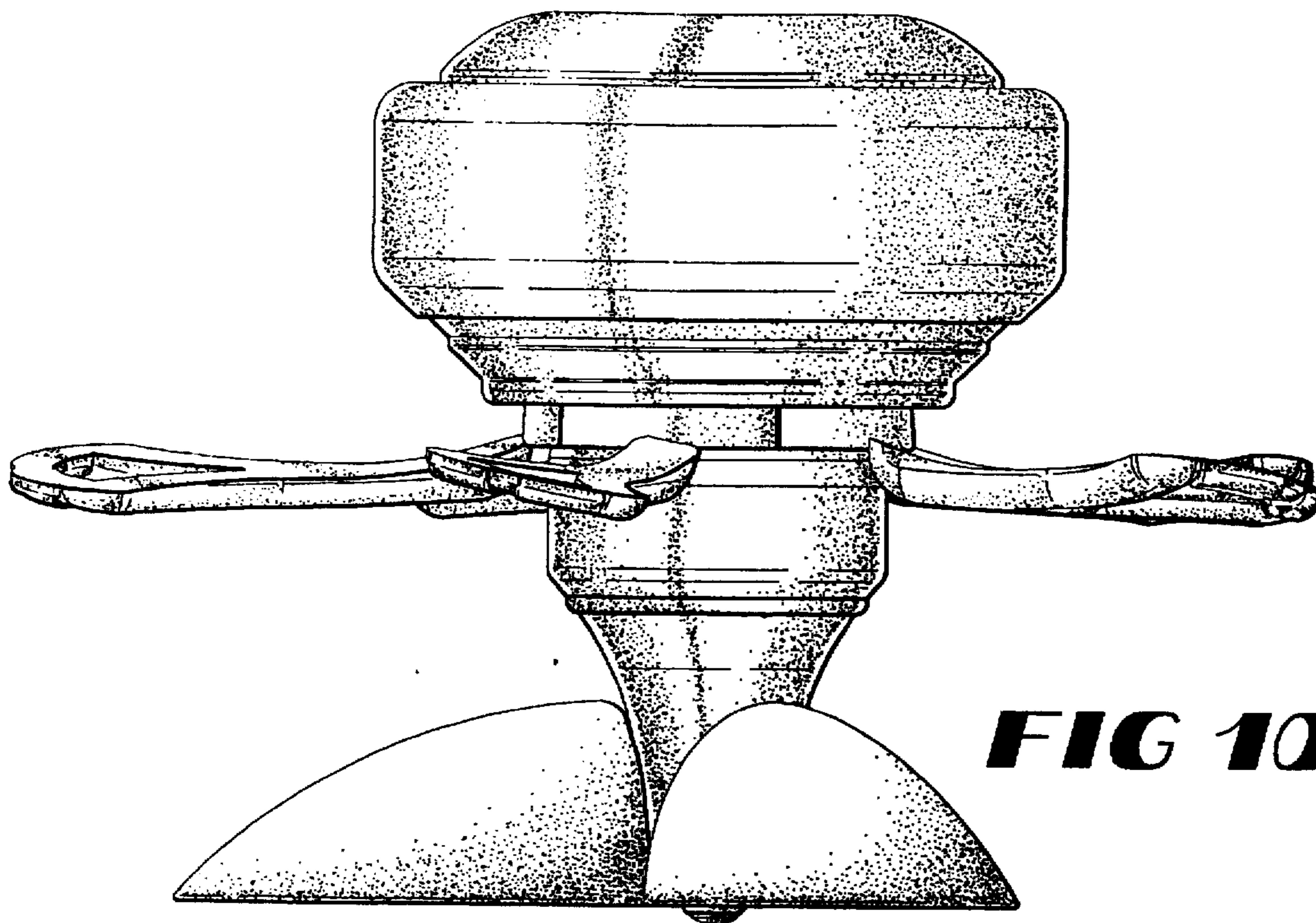


FIG 10

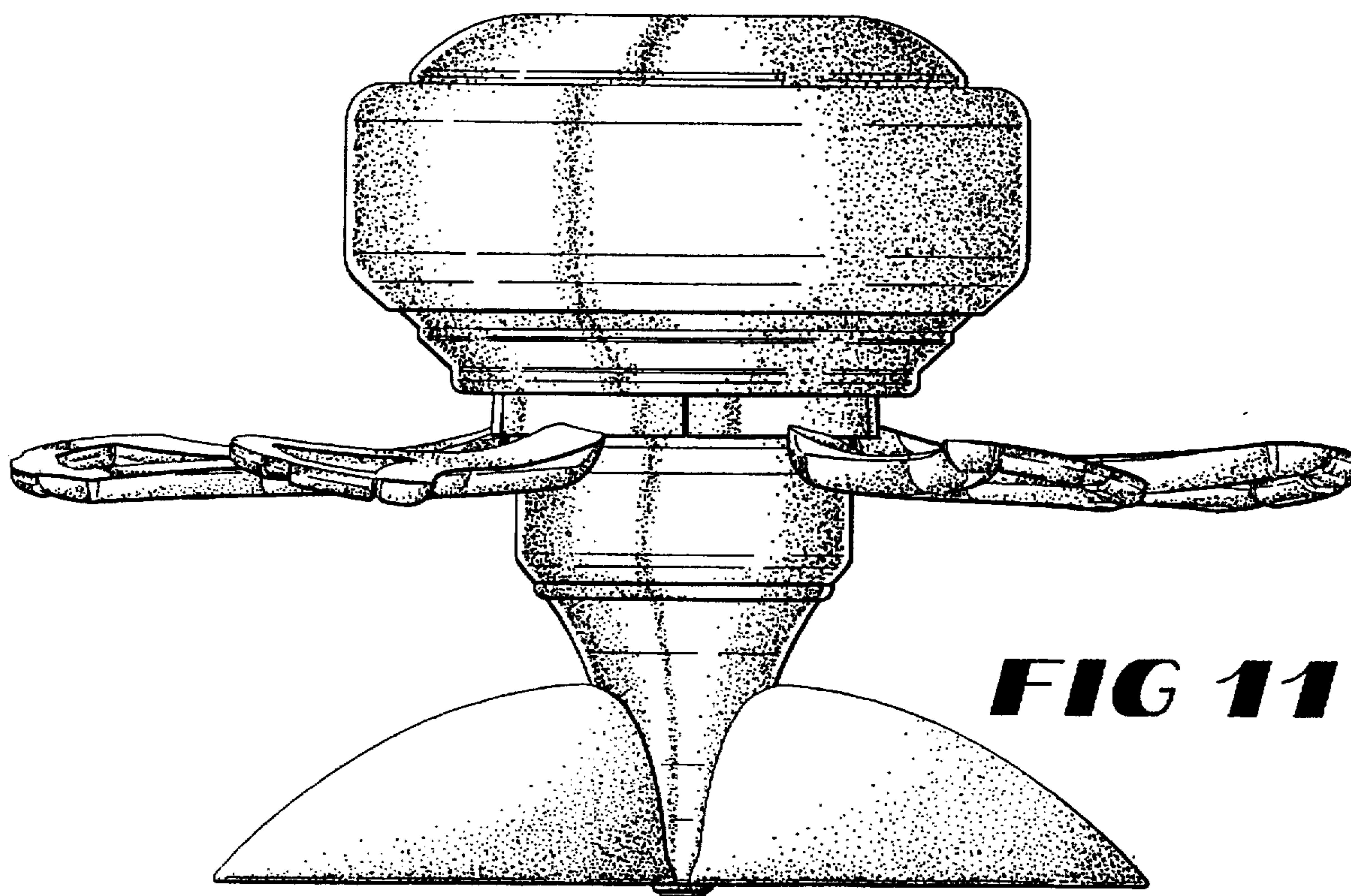
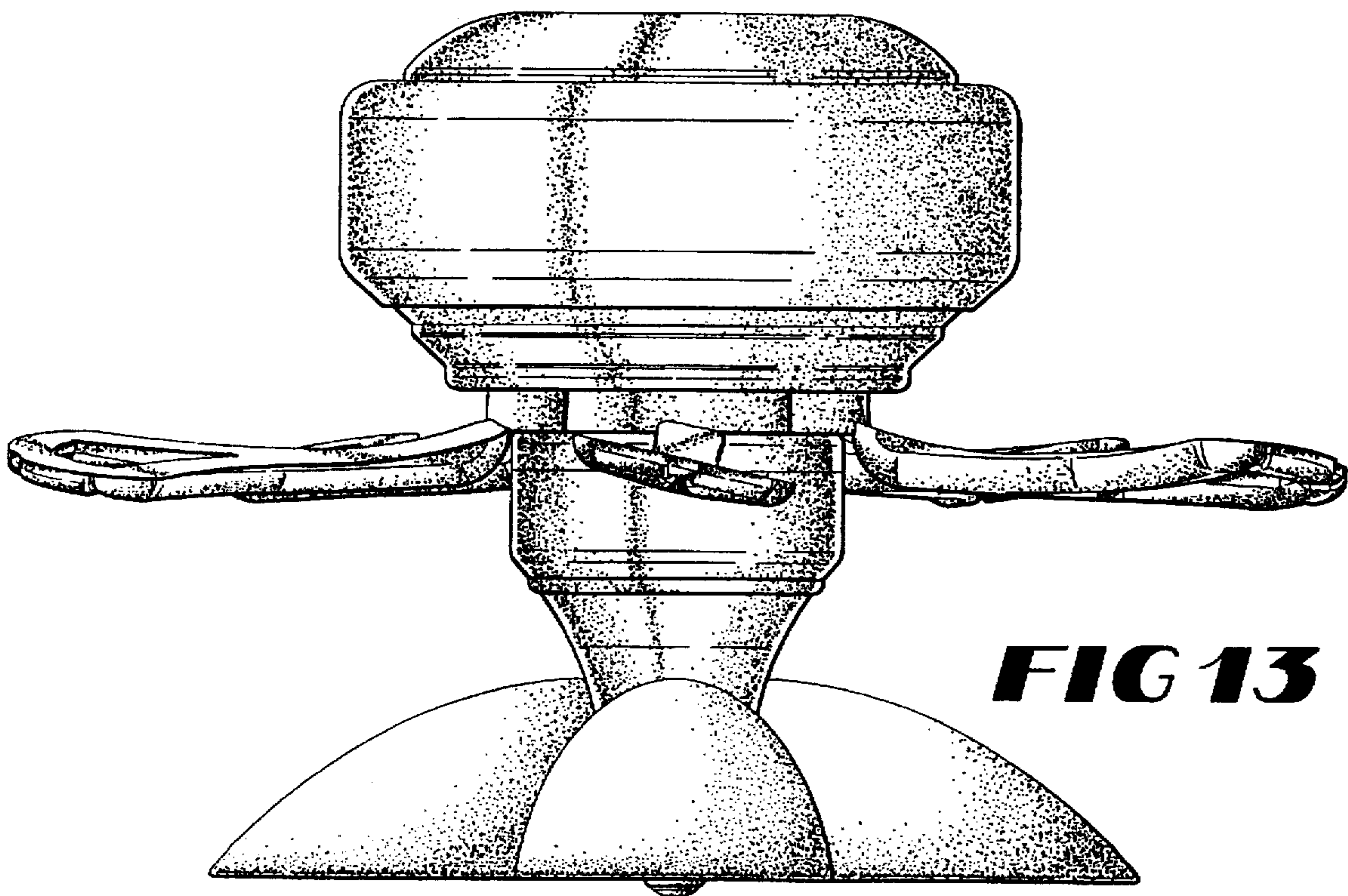
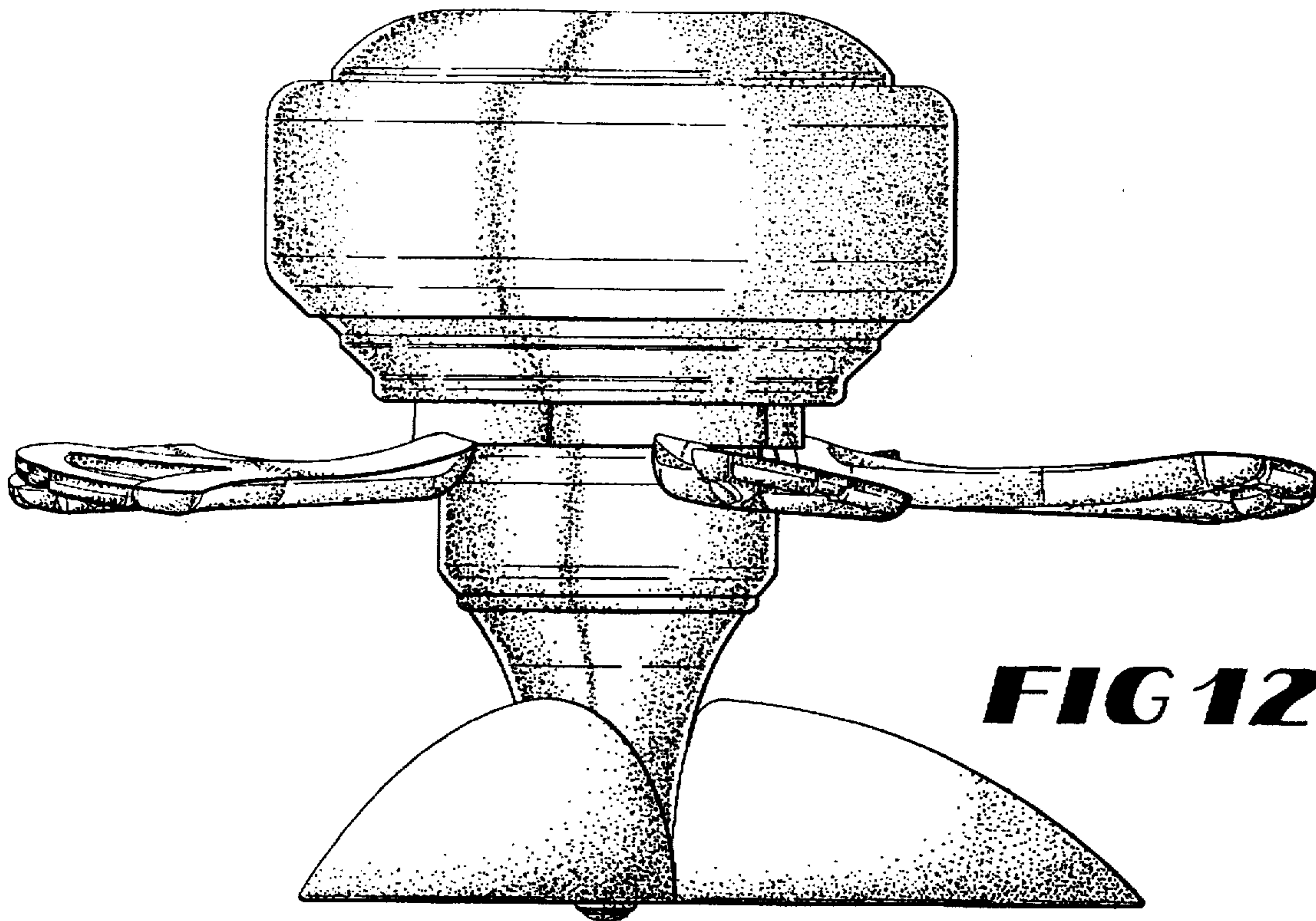


FIG 11



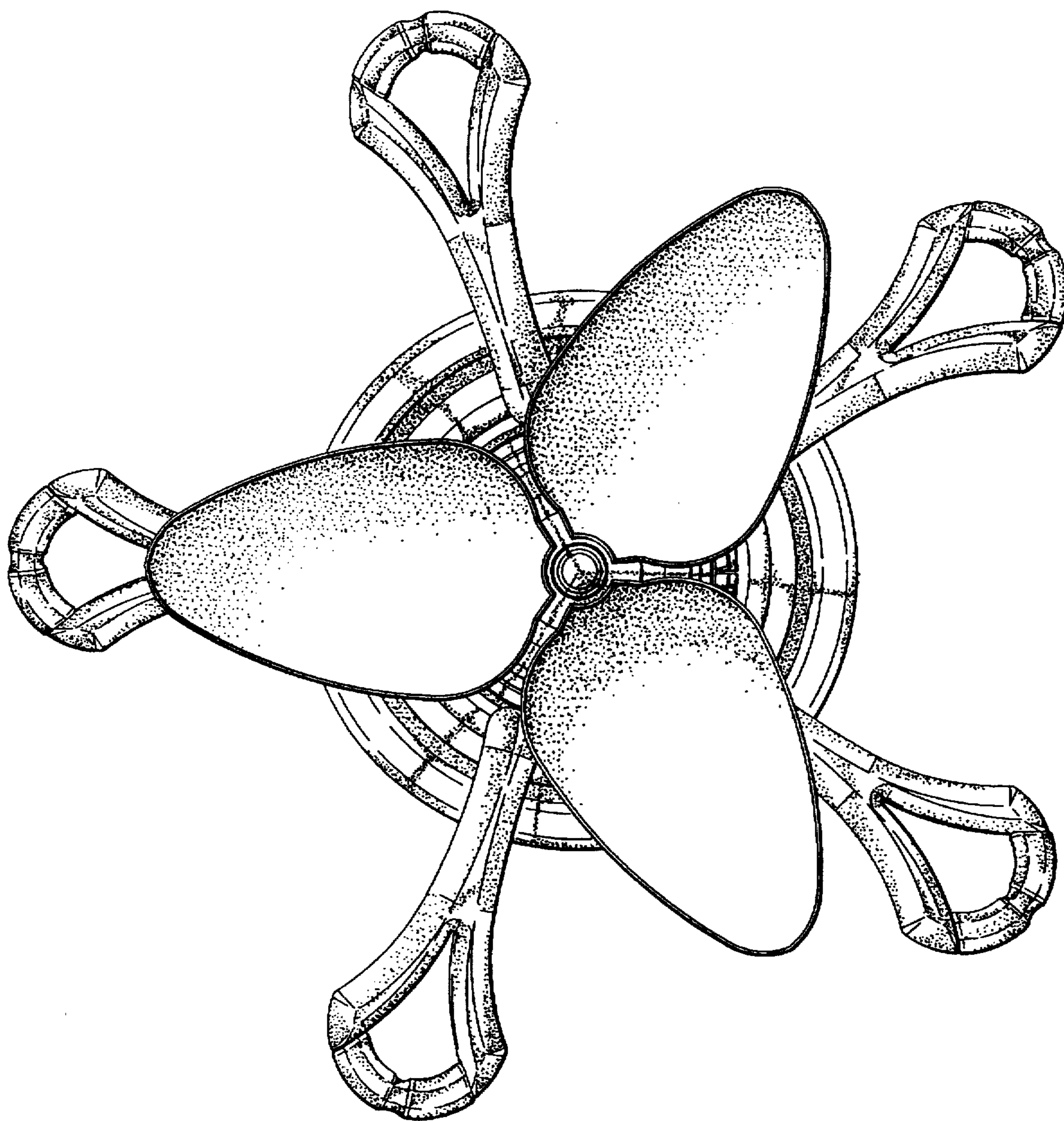


FIG 14

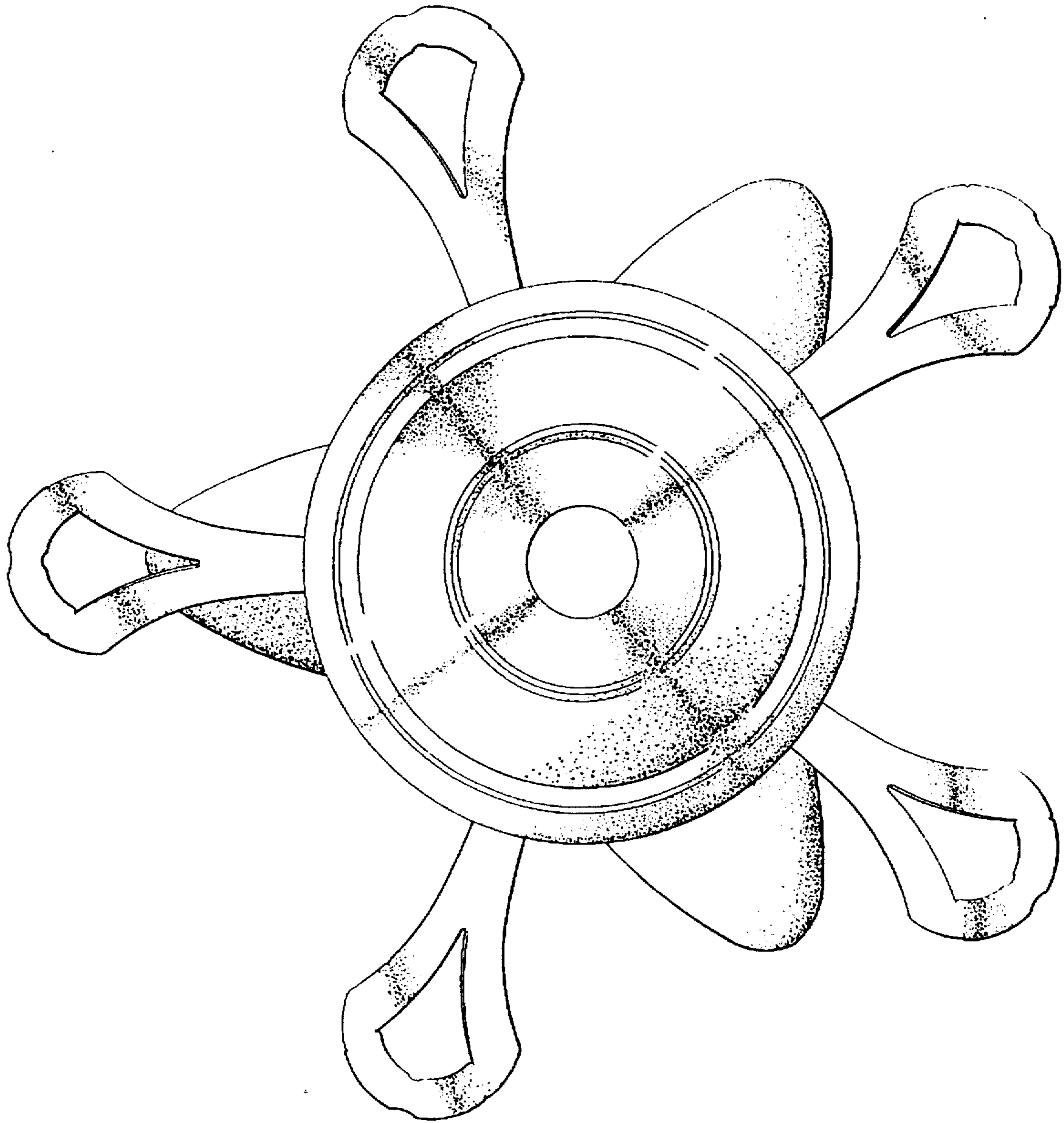


FIG 15

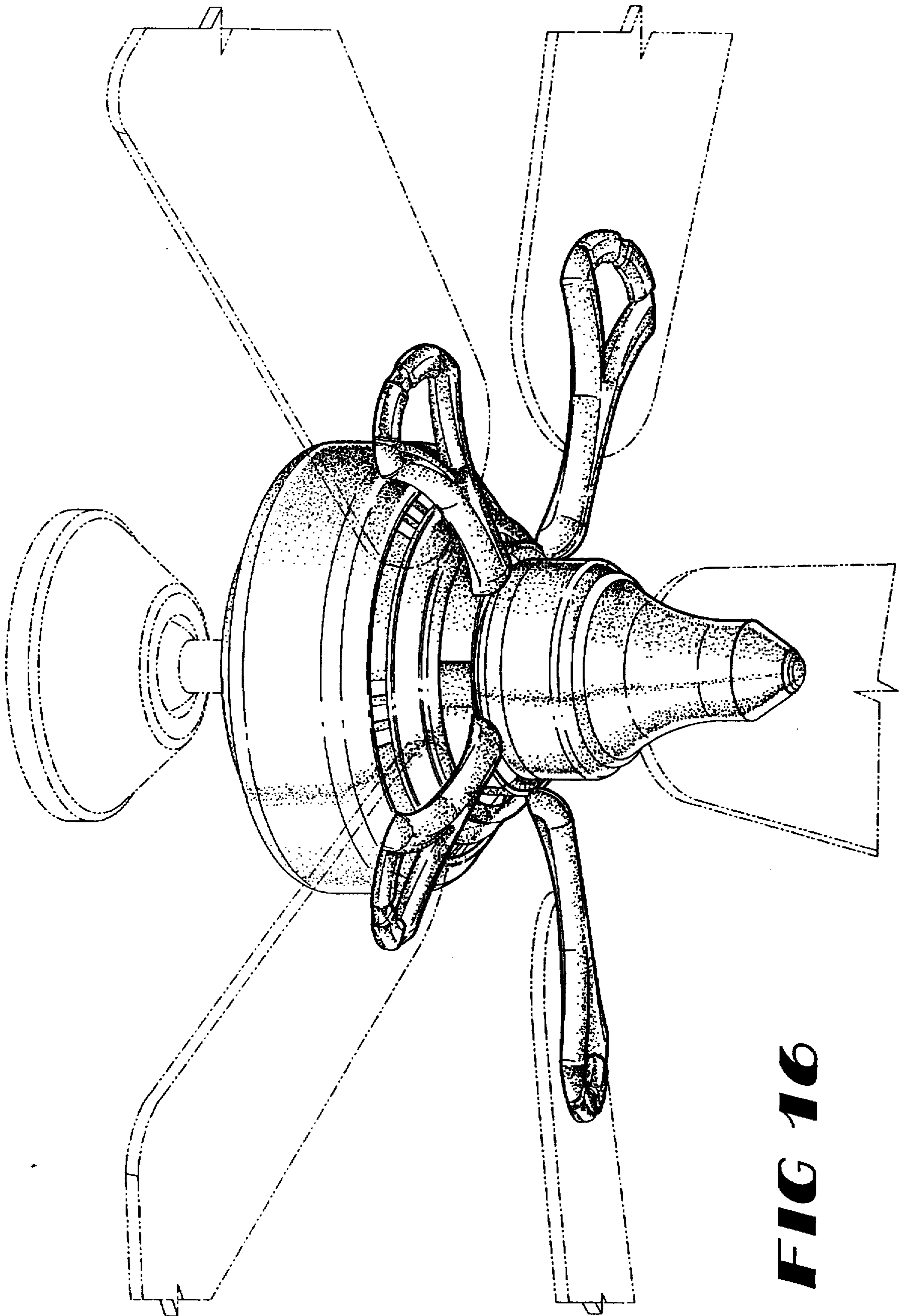


FIG 16