



US00D408516S

United States Patent [19]
Tai

[11] **Patent Number: Des. 408,516**

[45] **Date of Patent: ** Apr. 20, 1999**

[54] **CEILING FAN**

[76] **Inventor: Jen-Lung David Tai**, 19507 N. 65th Ave., Glendale, Ariz. 85308

[**] **Term: 14 Years**

[21] **Appl. No.: 29/090,474**

[22] **Filed: Jul. 9, 1998**

[51] **LOC (6) Cl. 23-04**

[52] **U.S. Cl. D23/377; D23/379; D23/385; D26/59**

[58] **Field of Search D23/377, 379, D23/385, 411, 413; 416/5; 392/364; 362/96; D26/81-86, 88, 59, 72, 51**

[56] **References Cited**

U.S. PATENT DOCUMENTS

D. 331,101 11/1992 Rezek D23/377

OTHER PUBLICATIONS

Casablanca Fan Co. Adv., Fan (A).
Sonica Fan Innovations Inc. Brochure, p. 24 Ceiling Fan Blade(A), bottom left side of page, 1995.

Primary Examiner—Lisa Lichtenstein
Attorney, Agent, or Firm—Parsons & Goltry; Michael W. Goltry; Robert A. Parsons

[57] **CLAIM**

The ornamental design for a ceiling fan, as shown and described.

DESCRIPTION

FIG. 1 is a perspective view of a ceiling fan showing my new design;

FIG. 2 is a bottom plan view thereof;

FIG. 3 is a top plan view thereof;

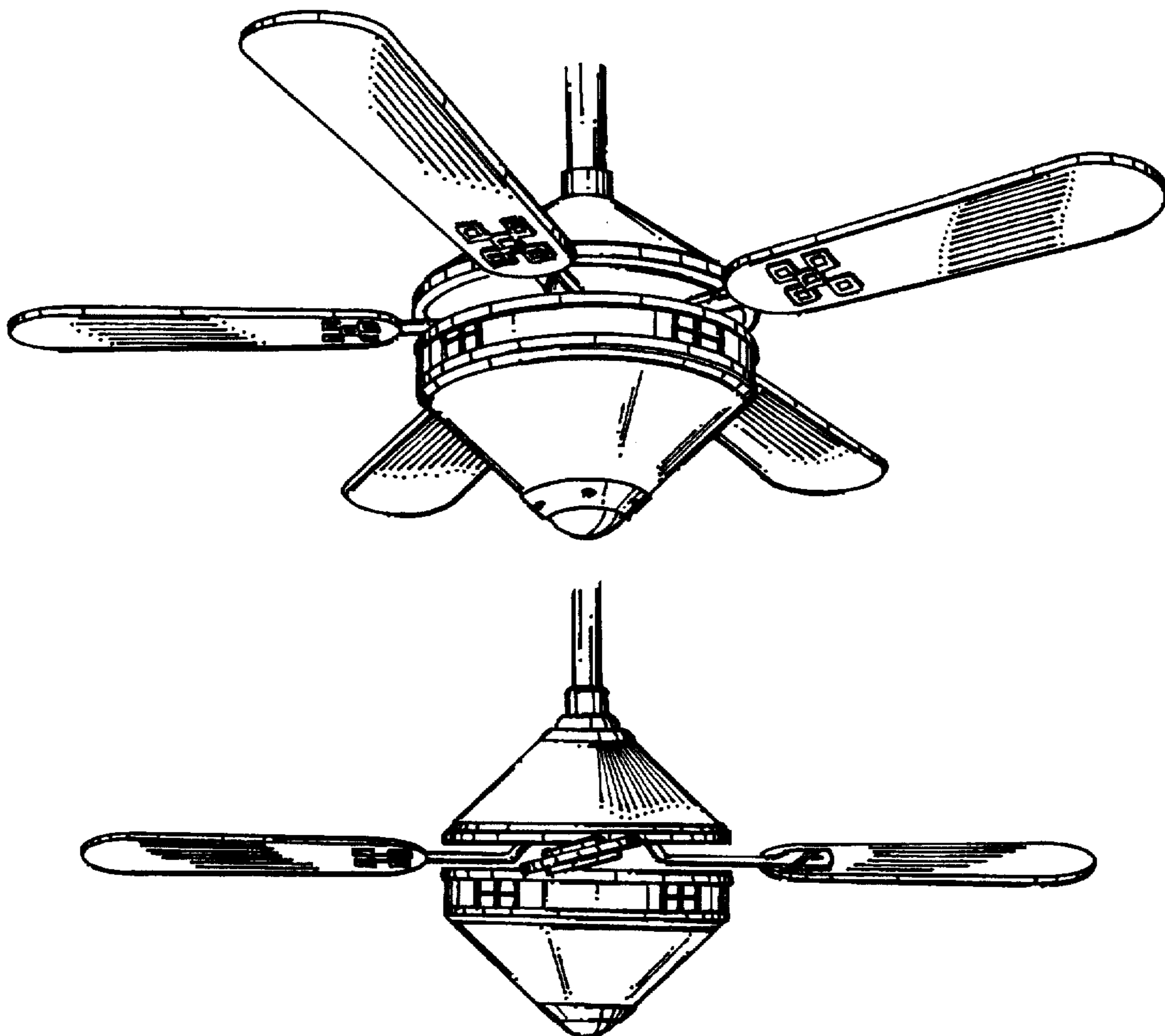
FIG. 4 is a front elevational view thereof;

FIG. 5 is a right side elevational view thereof;

FIG. 6 is a rear elevational view thereof; and,

FIG. 7 is a left side elevational view thereof.

1 Claim, 5 Drawing Sheets



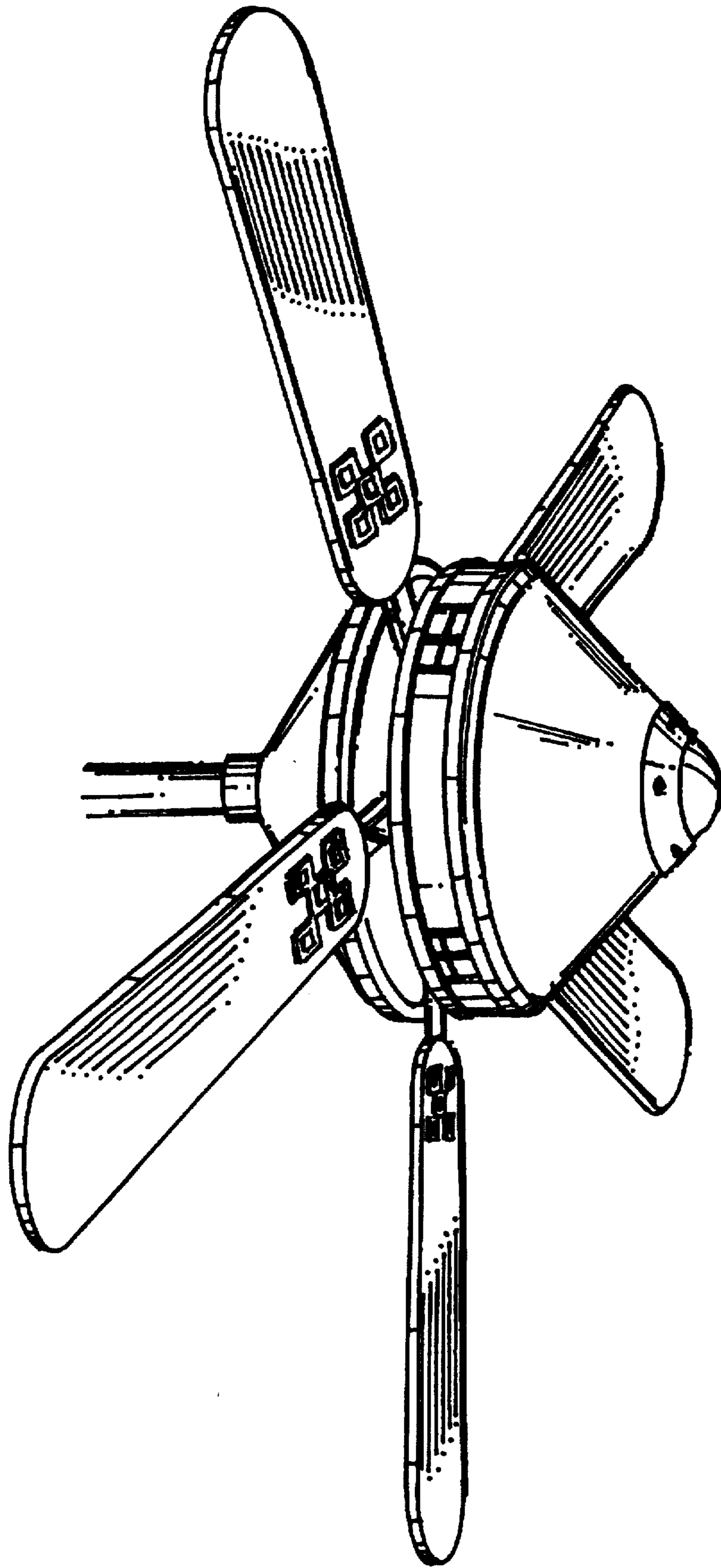


FIG. 1

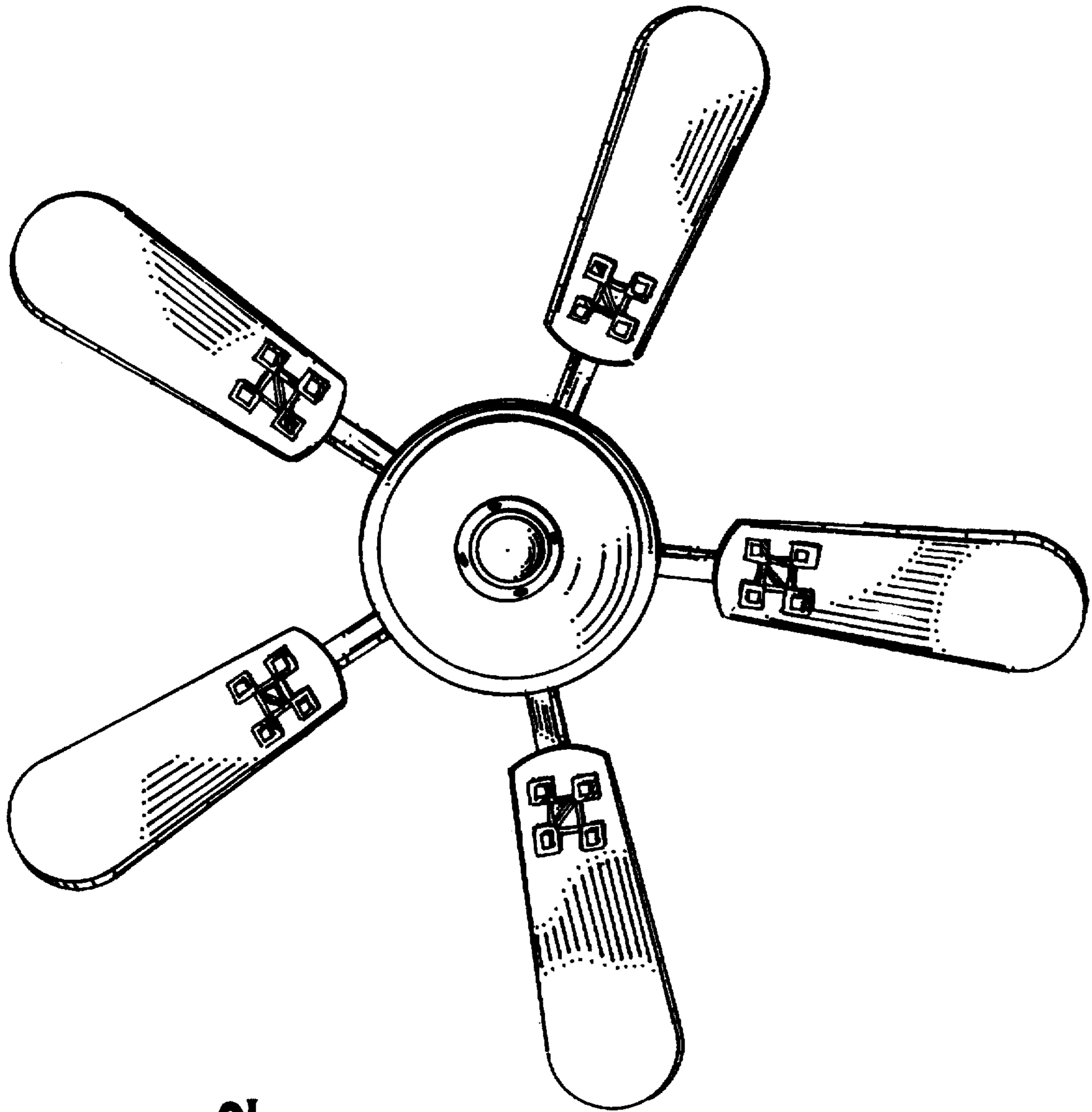


FIG. 2

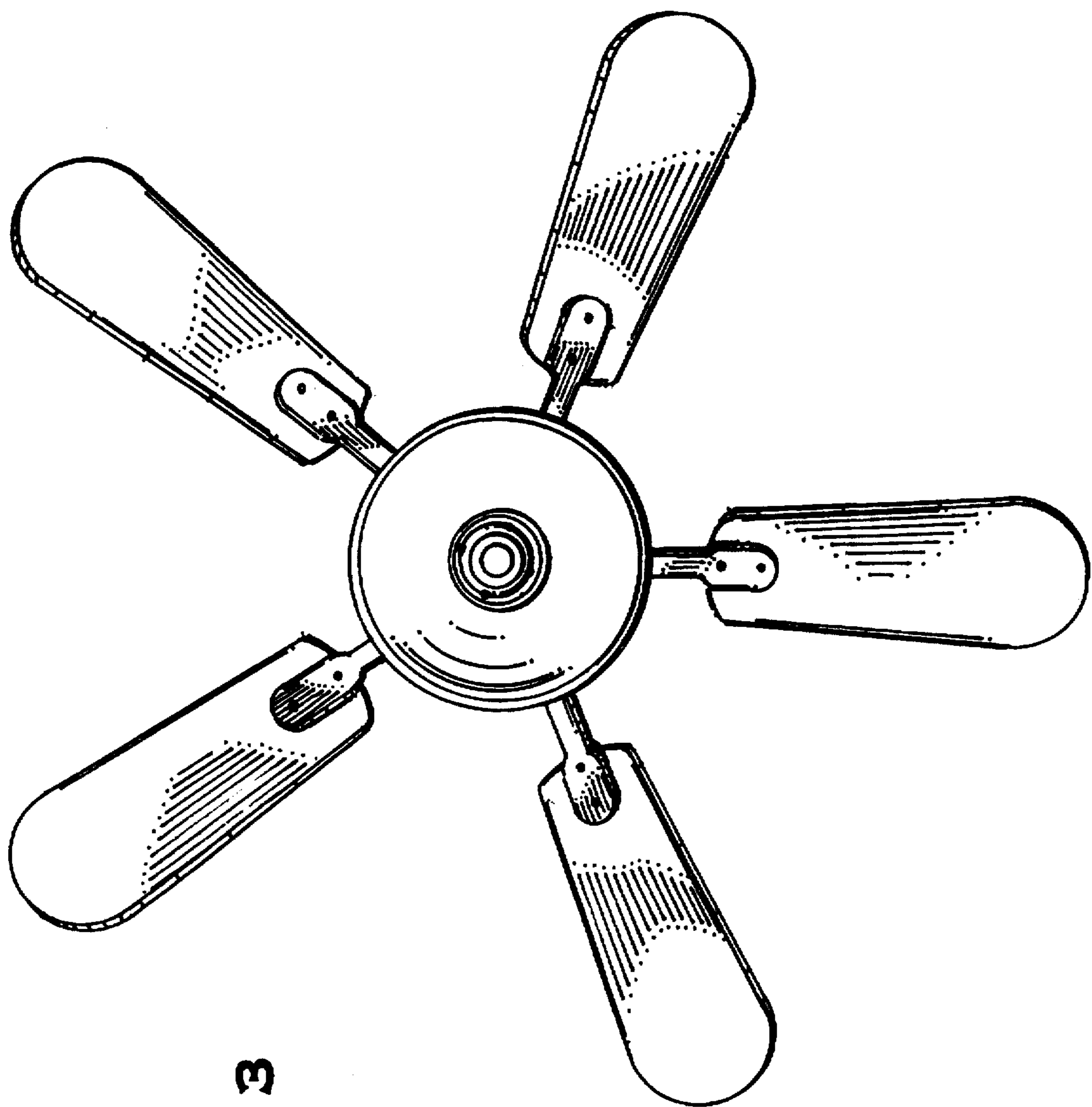
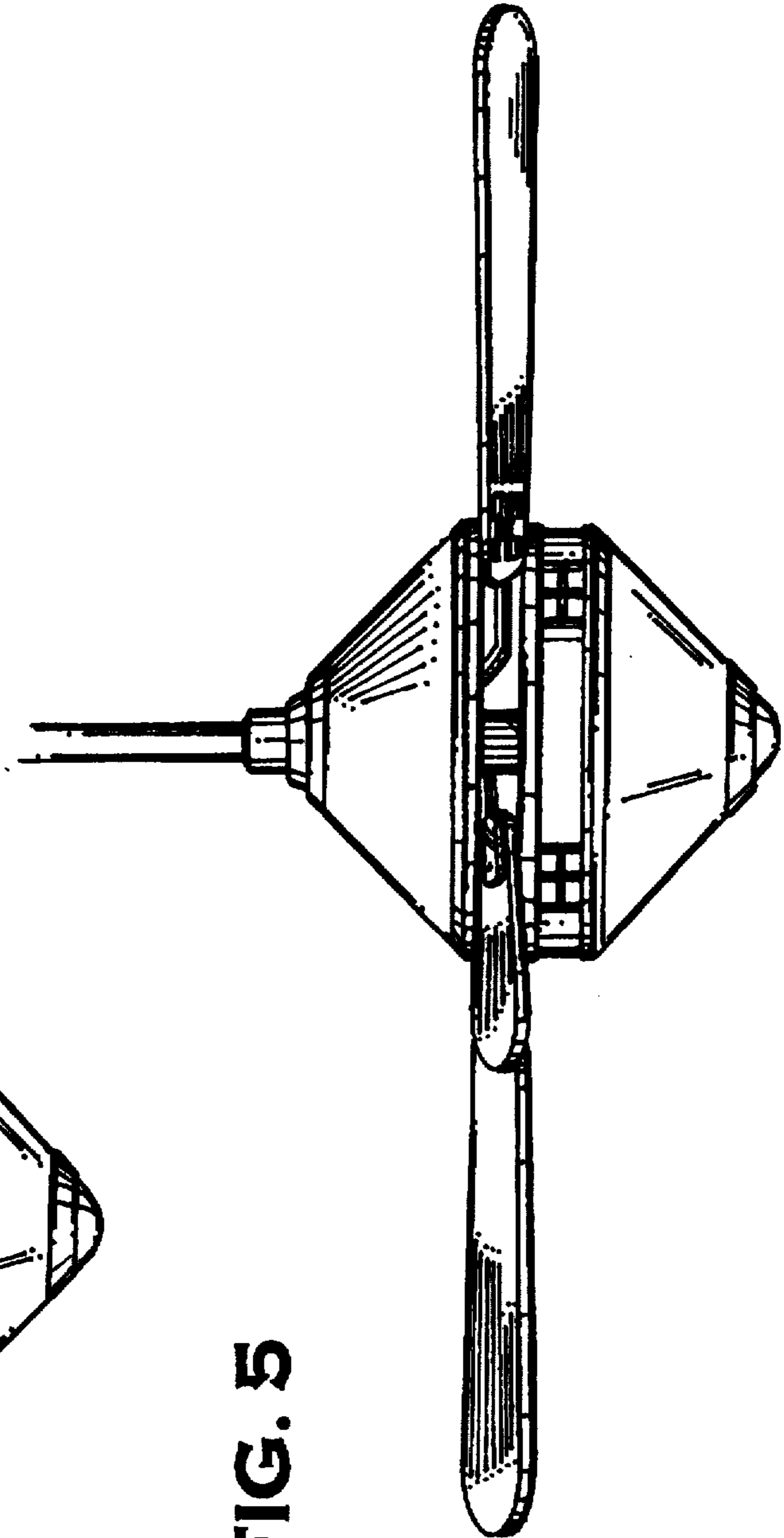
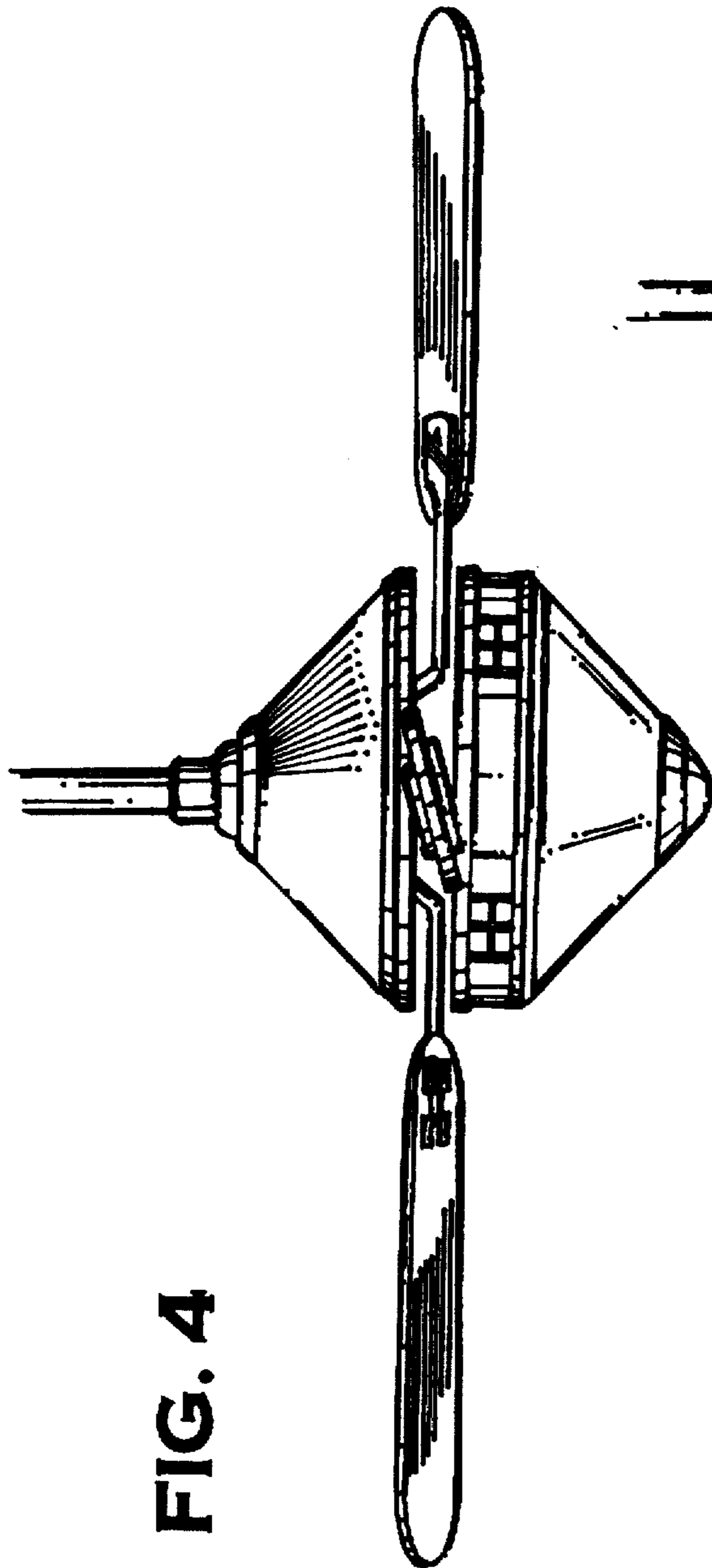


FIG. 3



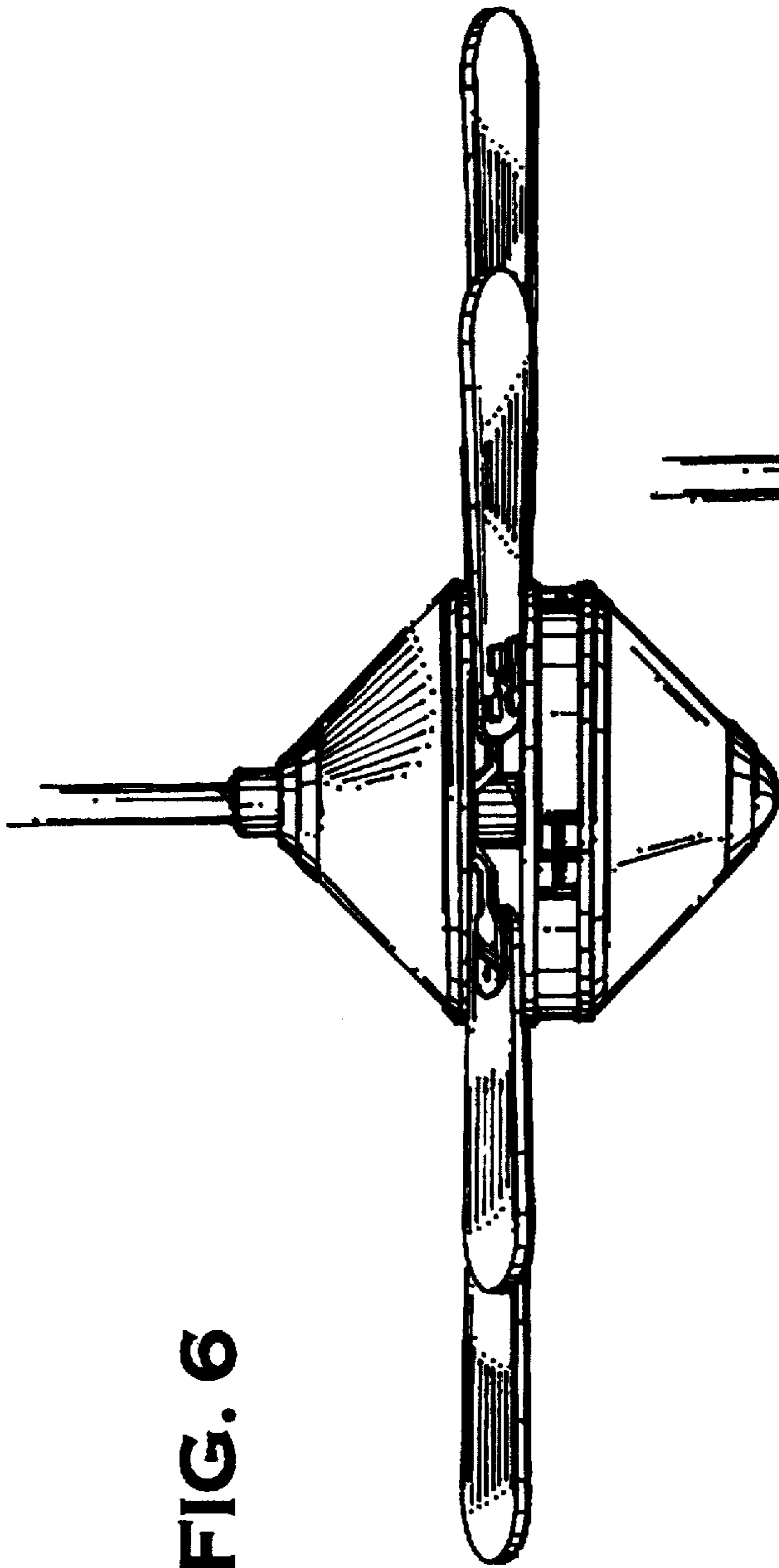


FIG. 6

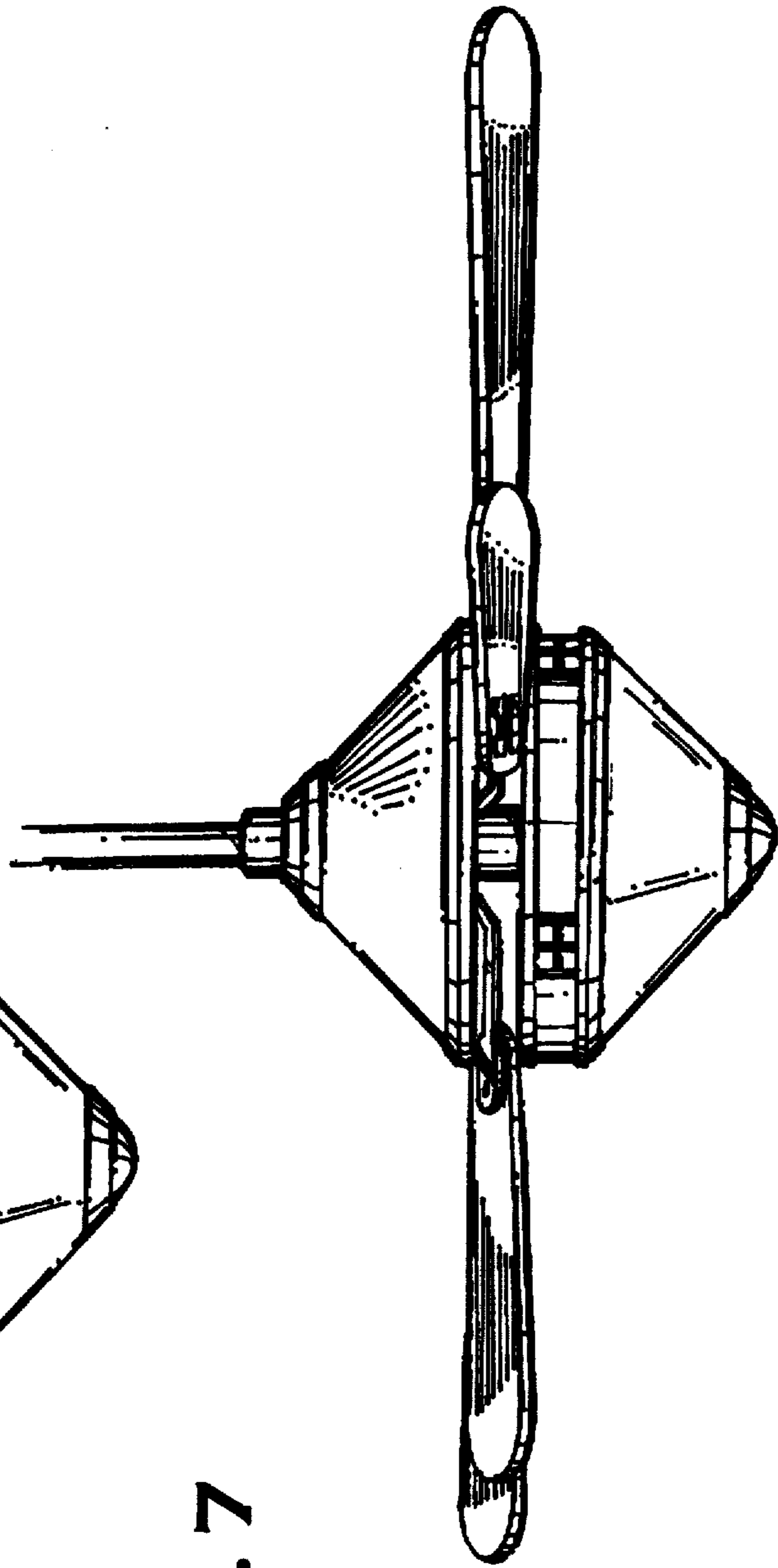


FIG. 7