



US00D408515S

United States Patent [19]

[11] Patent Number: **Des. 408,515**

Evans

[45] Date of Patent: ****Apr. 20, 1999**

[54] **COMBINED CEILING FAN AND LIGHT FIXTURE**

[75] Inventor: **Richard O. Evans**, Memphis, Tenn.

[73] Assignee: **Hunter Fan Company**, Memphis, Tenn.

[**] Term: **14 Years**

[21] Appl. No.: **29/088,007**

[22] Filed: **May 13, 1998**

[51] LOC (6) Cl. **23-04**

[52] U.S. Cl. **D23/377; D23/379**

[58] Field of Search **D23/377, 379, D23/385, 411, 413; 416/5; 392/364; 362/96; D26/59, 72, 81-86, 88**

[56] **References Cited**

PUBLICATIONS

Casablanca Fan Co. Adv. Flyer, Halogen Fan^(A), top right side of back of page.

Sonica Fan Innovations, Inc., Ceiling Fan^(B), p. 6, top of page, 1995 Cat.

Casablanca Fan Co. Brochure, p. 7. Ceiling Fan^(C), top of page.

Homestead Ceiling Fan Cat, p. 5, Ceiling Fan^(D), ©1987.

Primary Examiner—Lisa Lichtenstein

Attorney, Agent, or Firm—Baker, Donelson, Bearman & Caldwell

[57] **CLAIM**

The ornamental design for a combined ceiling fan and light fixture, as shown and described.

DESCRIPTION

FIG. 1 is a perspective view of a combined ceiling fan and light fixture showing my new design;

FIG. 2 is an additional perspective view of the combined ceiling fan and light fixture shown in FIG. 1 with the environmental structure removed therefrom;

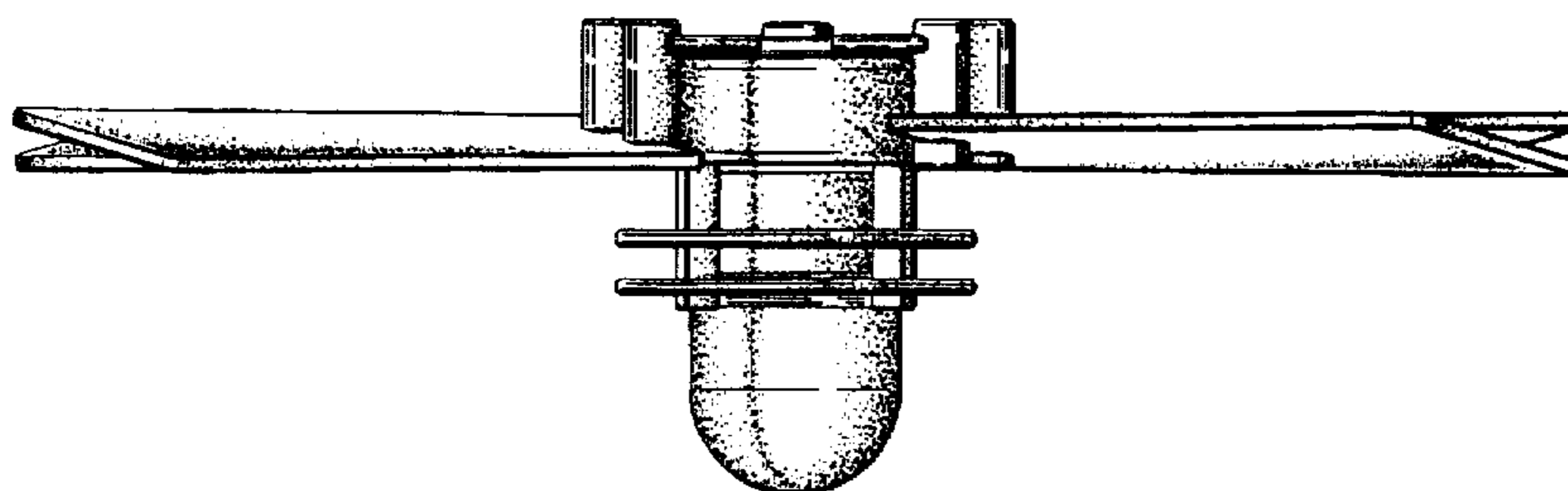
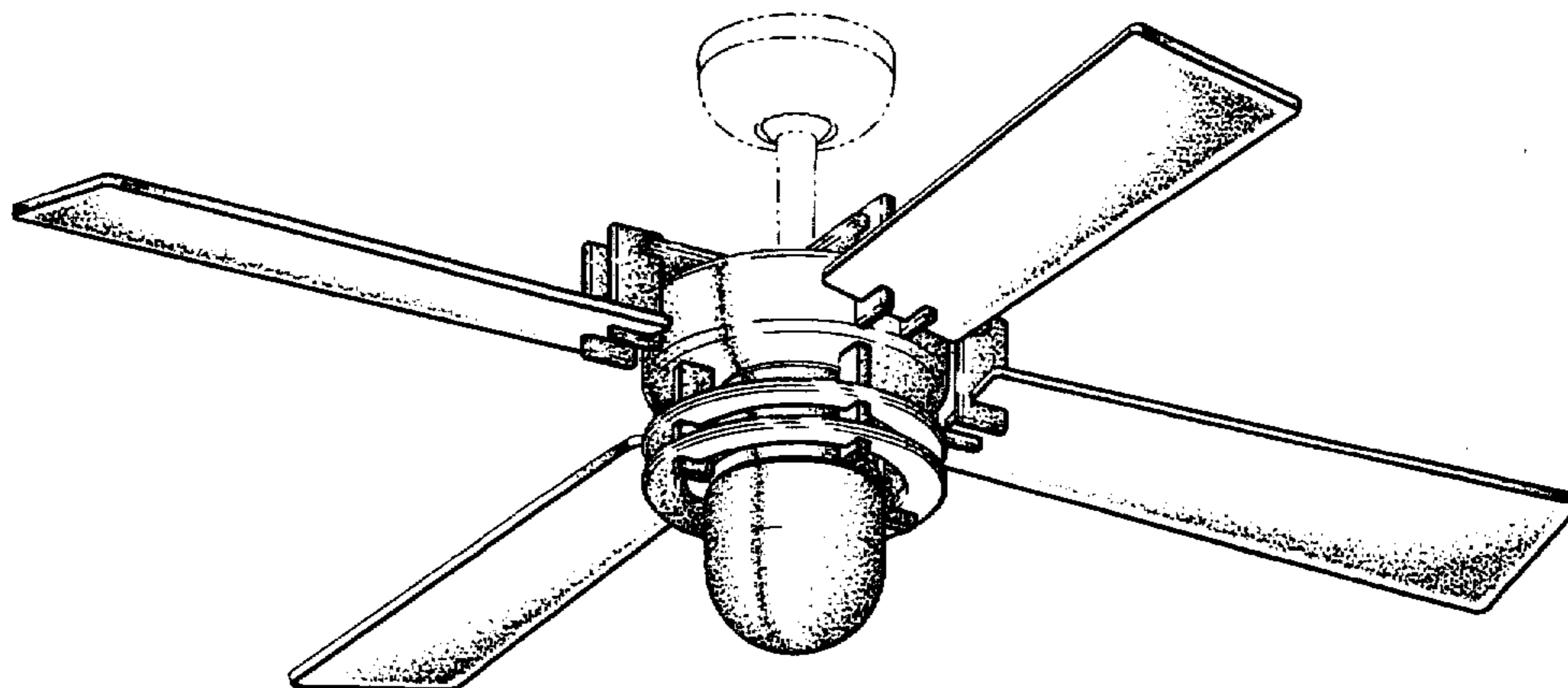
FIG. 3 is a front view the ceiling fan and light fixture shown in FIG. 2, the rear, left-side and right-side views being mirror images thereof;

FIG. 4 is a top view thereof; and,

FIG. 5 is a bottom view thereof.

The broken lines shown in FIG. 1 are illustrative of environmental structure only and form no part of the claimed design.

1 Claim, 5 Drawing Sheets



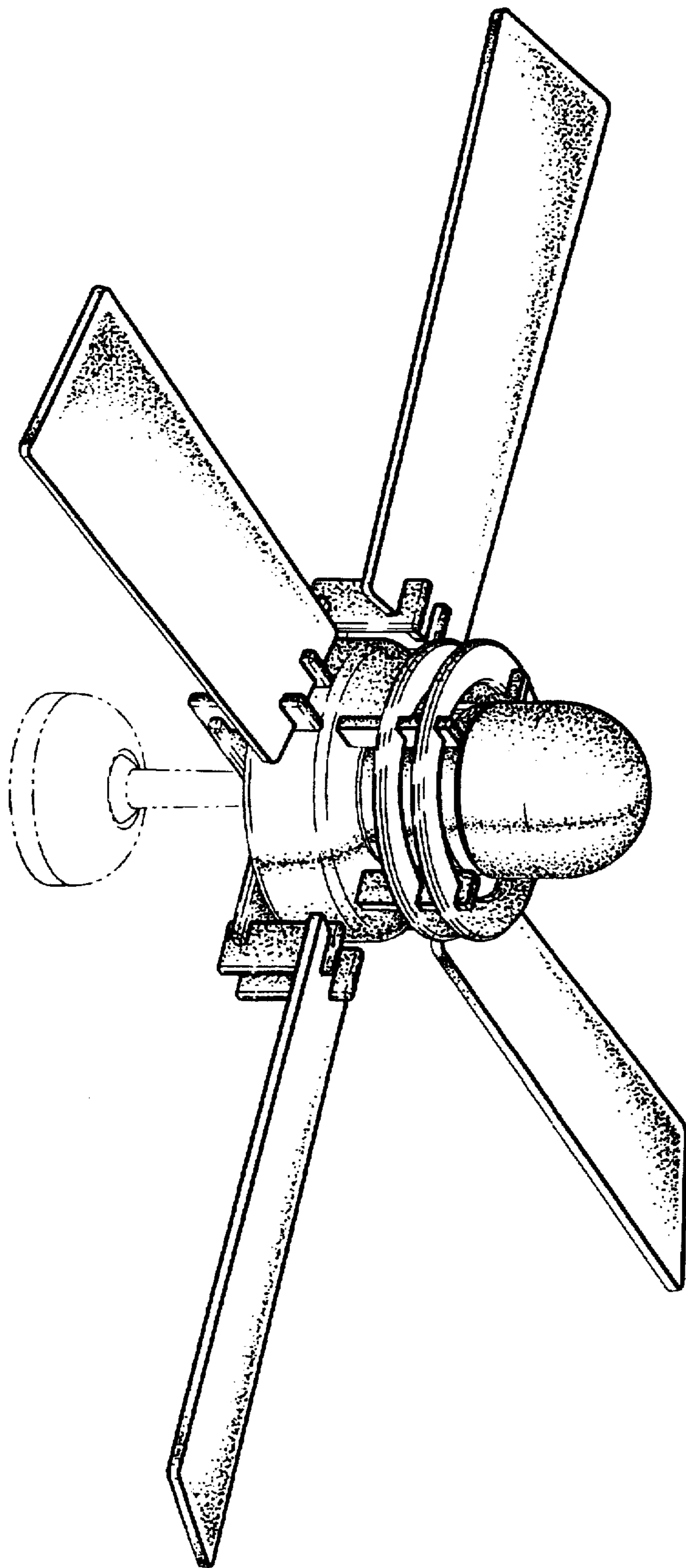


FIG 1

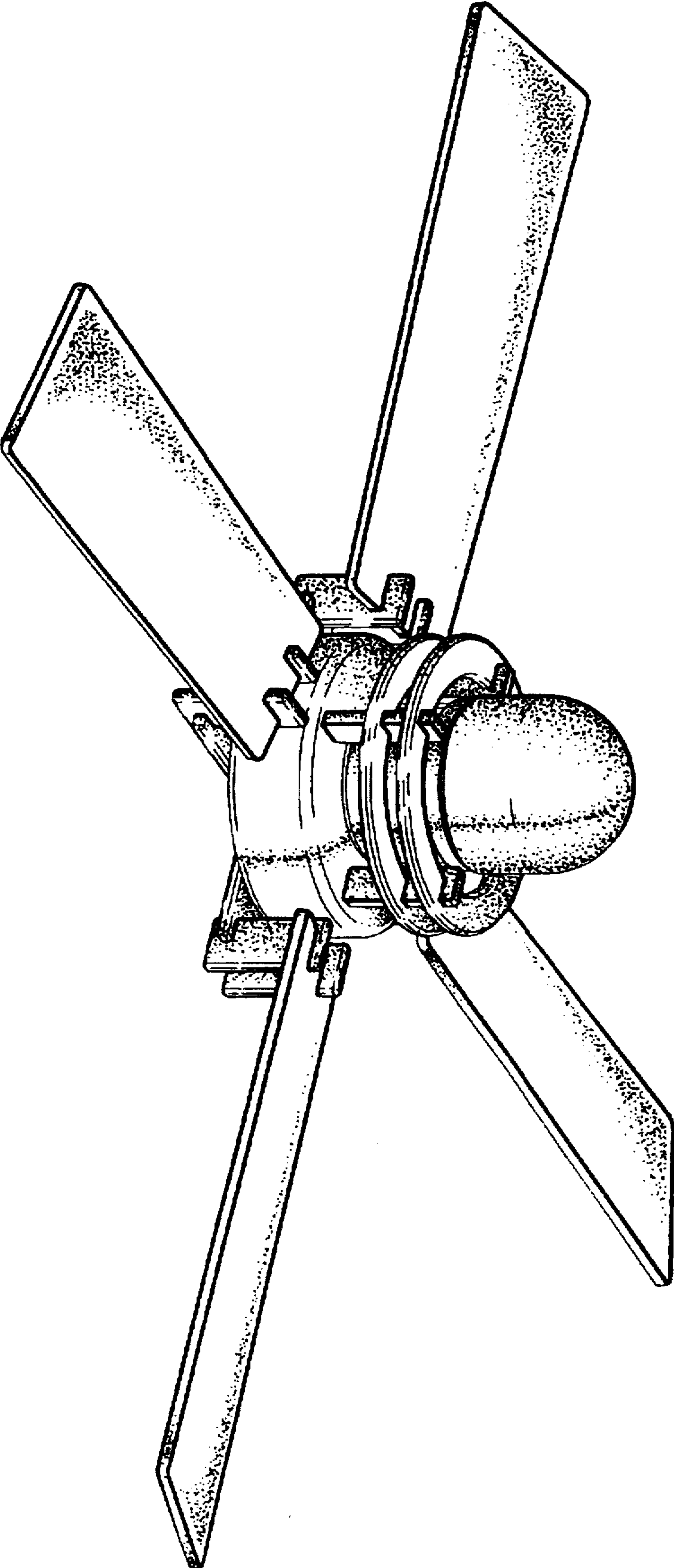


FIG 2

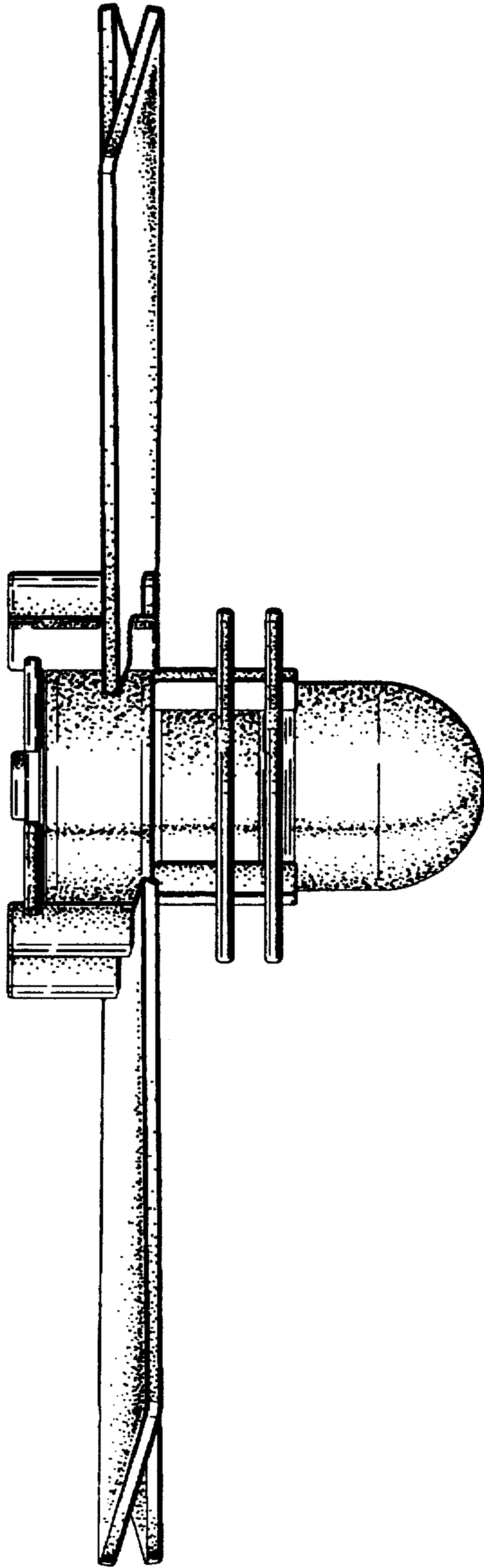


FIG 3

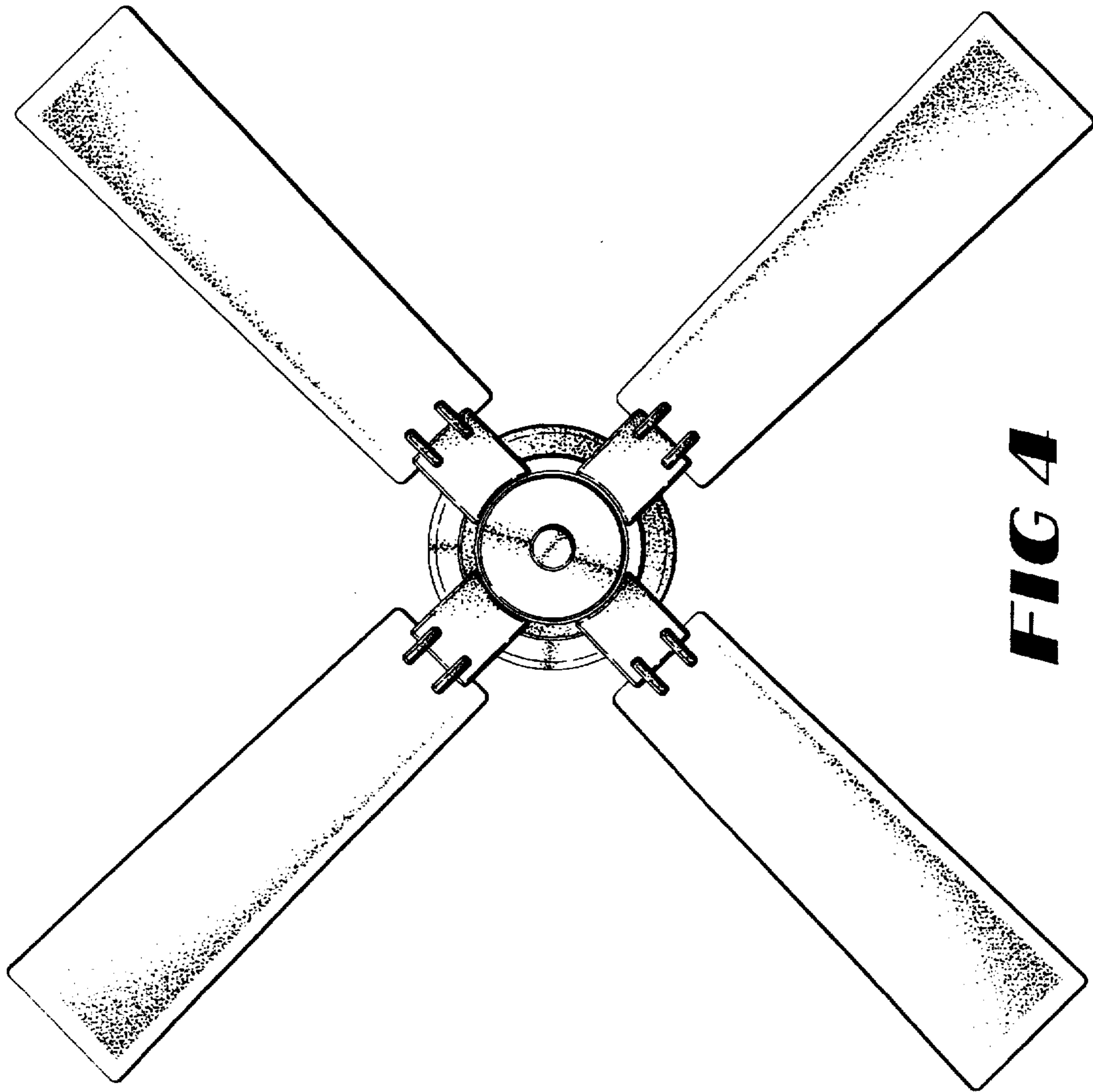


FIG 4

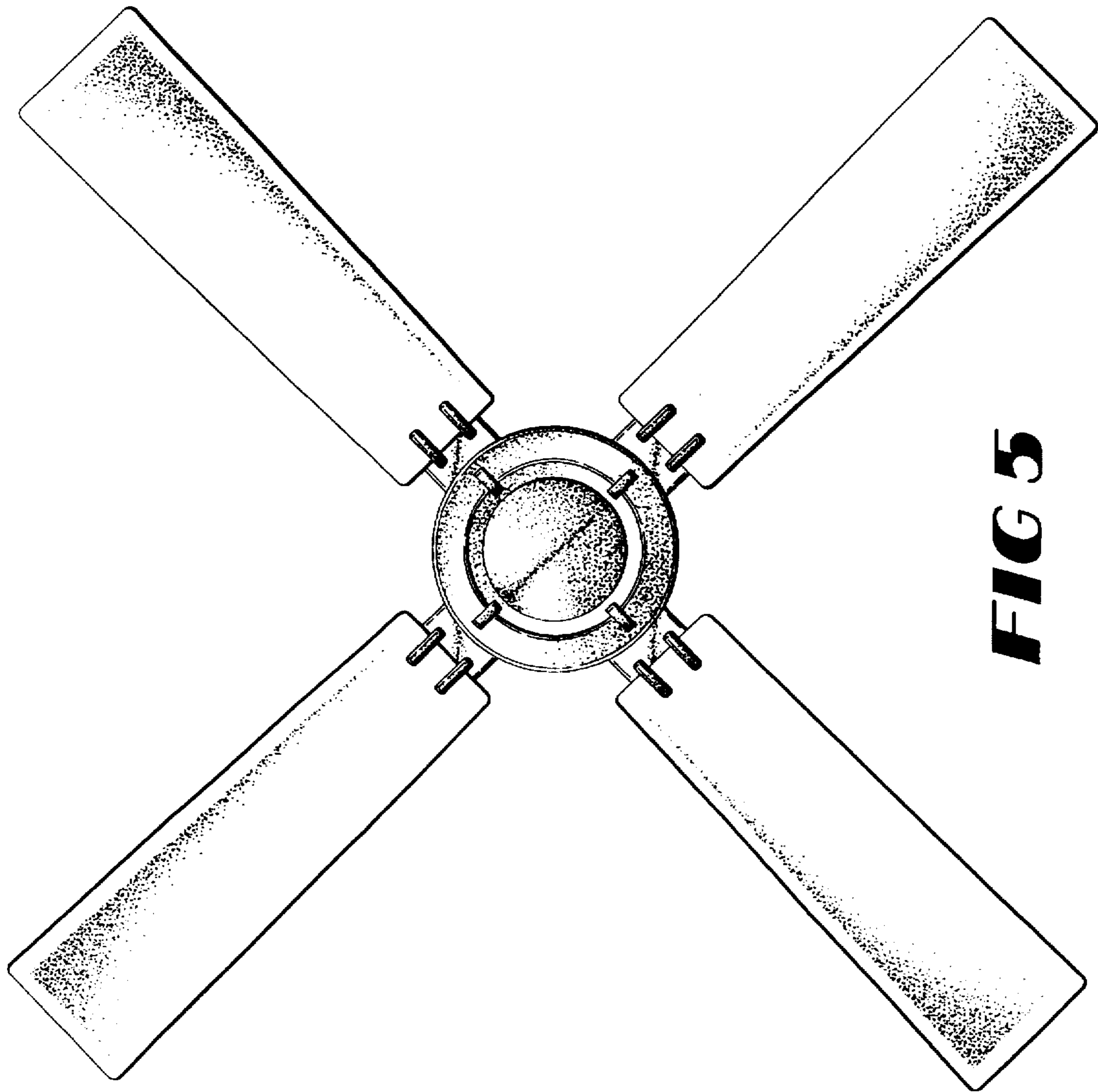


FIG 5