



US00D408513S

# United States Patent [19]

[11] Patent Number: **Des. 408,513**

Reede

[45] Date of Patent: **\*\*Apr. 20, 1999**

[54] **FILTER FOR A ROUND FAN**

4,477,272 10/1984 Hollis .  
4,781,526 11/1988 Mead .

[76] Inventor: **Dwayne E. Reede, P.O. Box 365,  
Norwalk, Conn. 06852**

*Primary Examiner*—Lisa Lichtenstein

[\*\*] Term: **14 Years**

[57] **CLAIM**

[21] Appl. No.: **29/075,491**

The ornamental design for a filter for a round fan, as shown and described.

[22] Filed: **Jul. 15, 1997**

### DESCRIPTION

[51] LOC (6) Cl. .... **23-04**

FIG. 1 is a front view.

[52] U.S. Cl. .... **D23/365; D23/411**

FIG. 2 is a rear view.

[58] Field of Search ..... **D23/365, 411;  
55/471; 416/146, 247 R, 62, 5, 170 C**

FIG. 3 is a right side view.

FIG. 4 is a left side view.

FIG. 5 is a top view; and,

FIG. 6 is a bottom view.

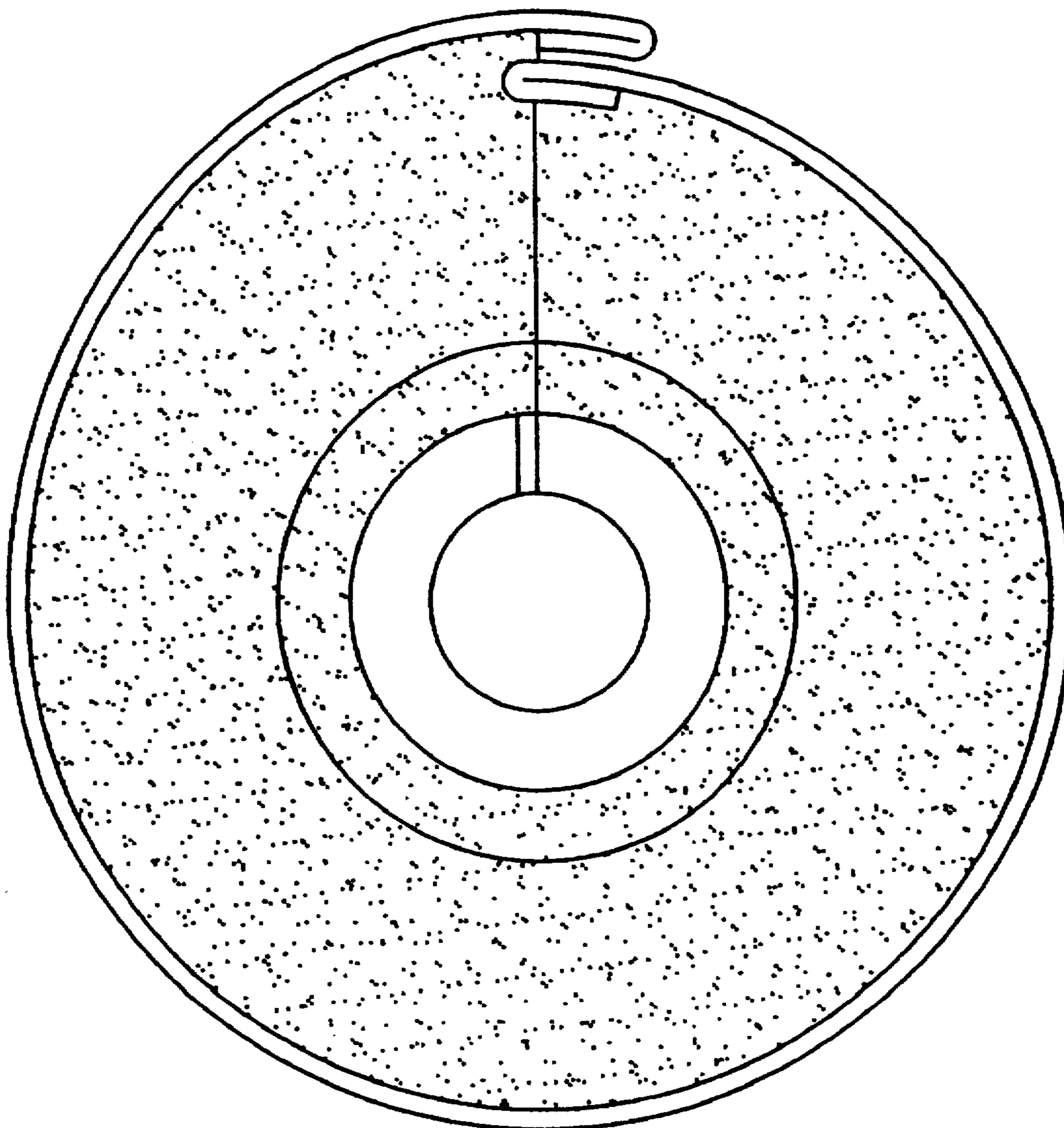
The broken-line in FIGS. 3-6 represents stitching.

[56] **References Cited**

#### U.S. PATENT DOCUMENTS

D. 372,079 7/1996 Fago et al. .... **D23/365**

**1 Claim, 2 Drawing Sheets**



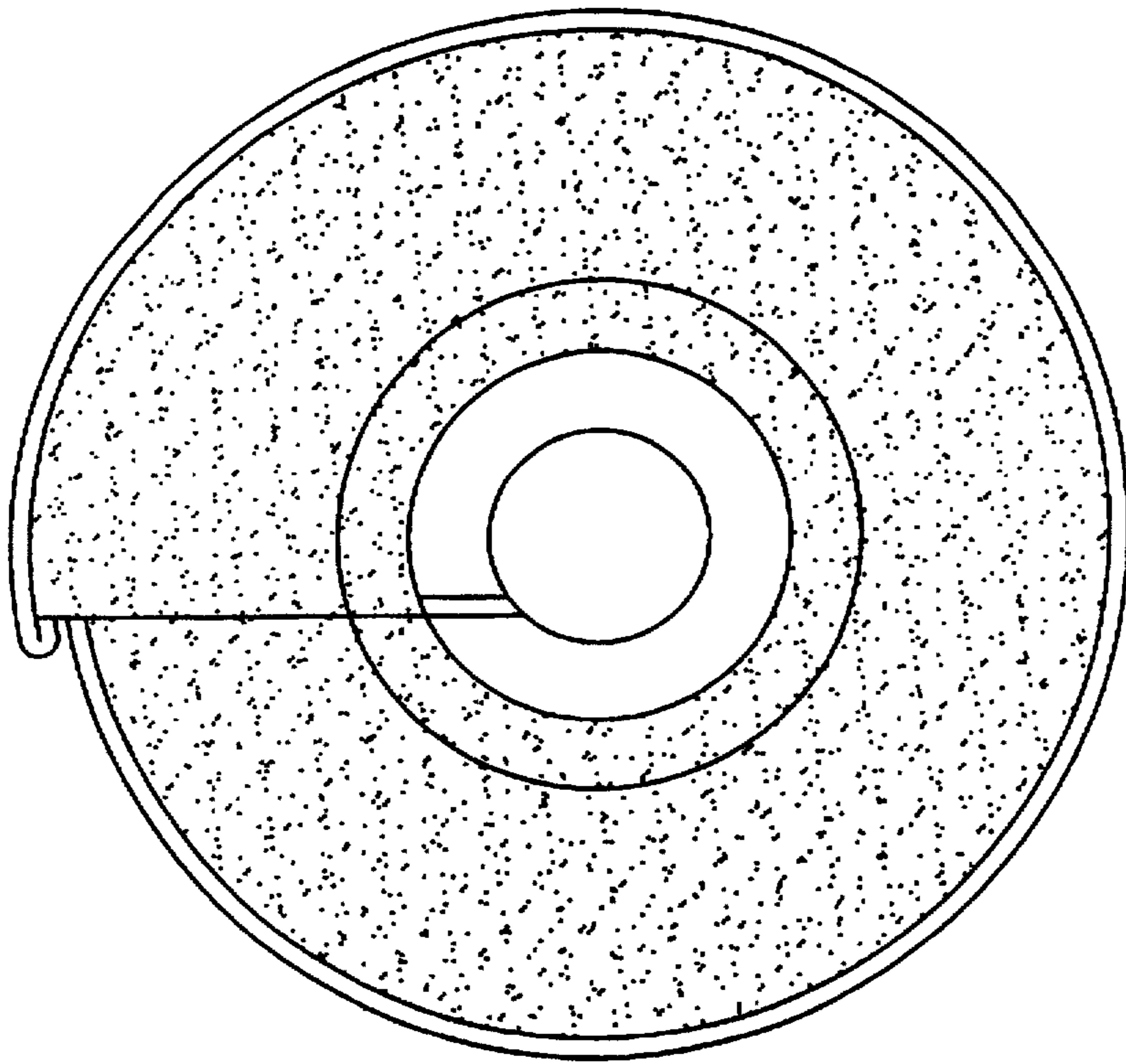


FIG. 2

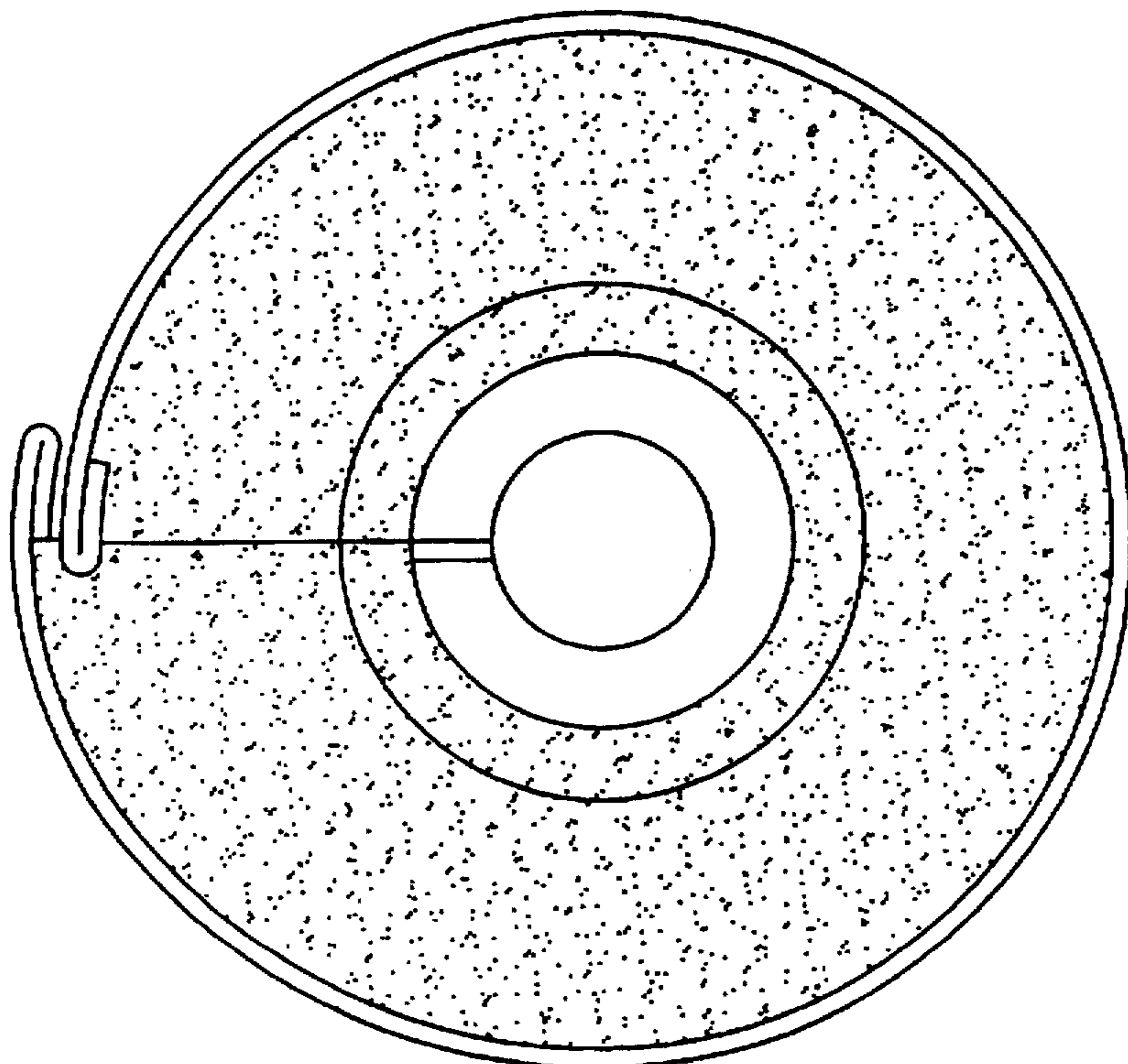


FIG. 1

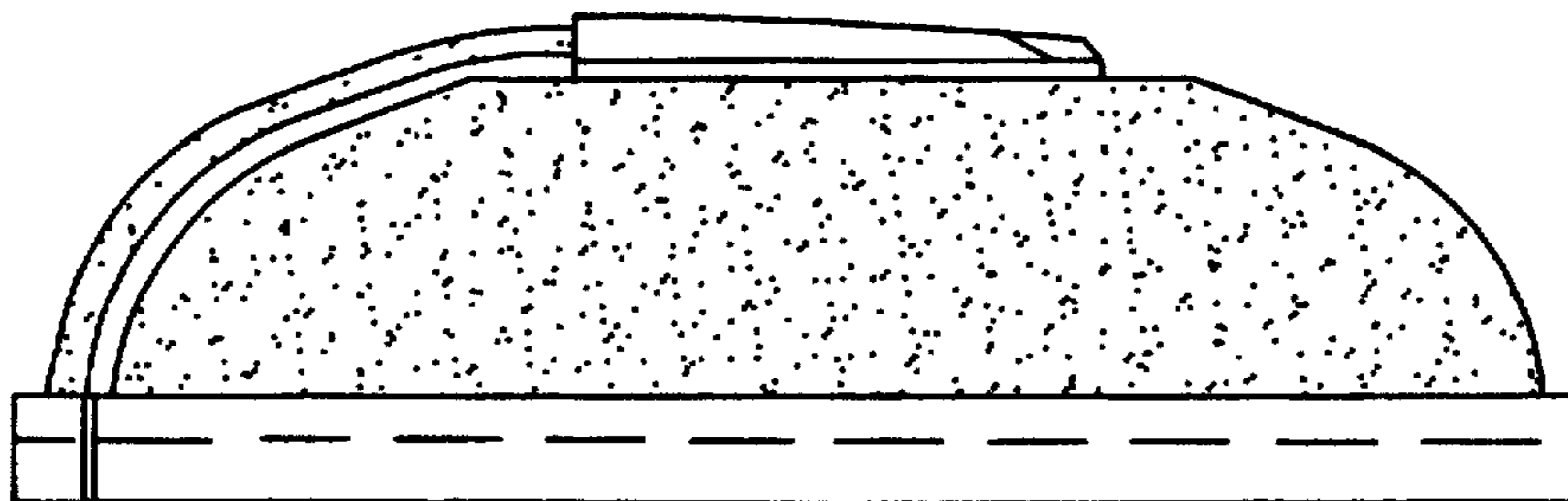


FIG. 3

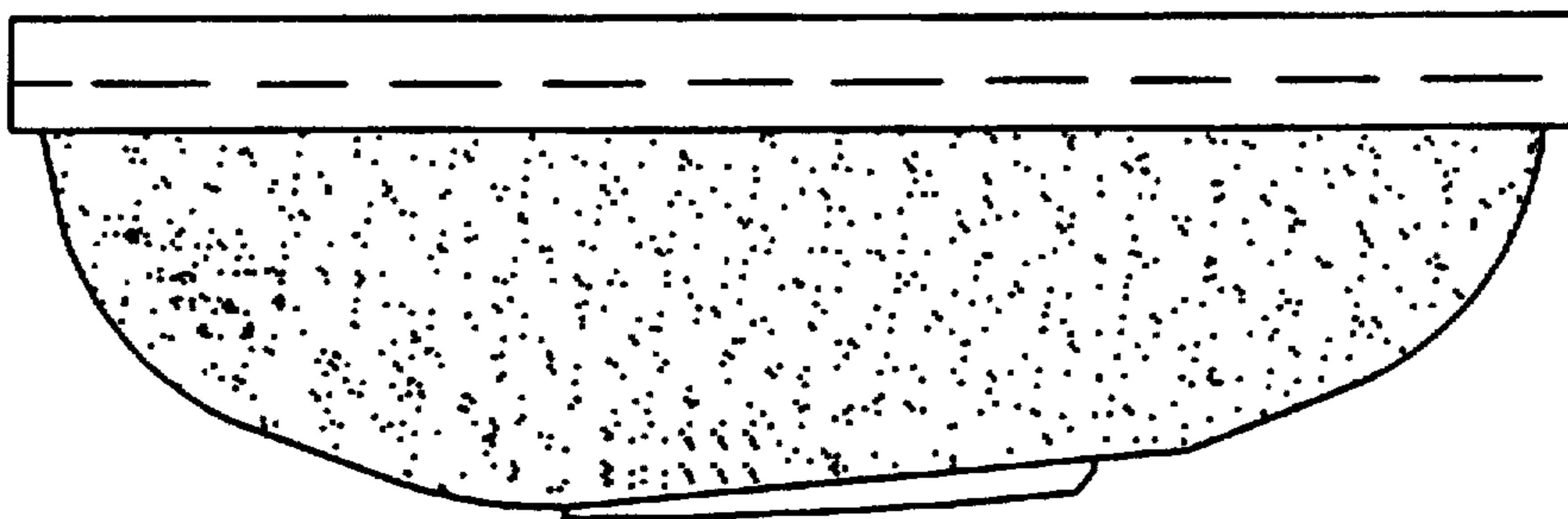


FIG. 4

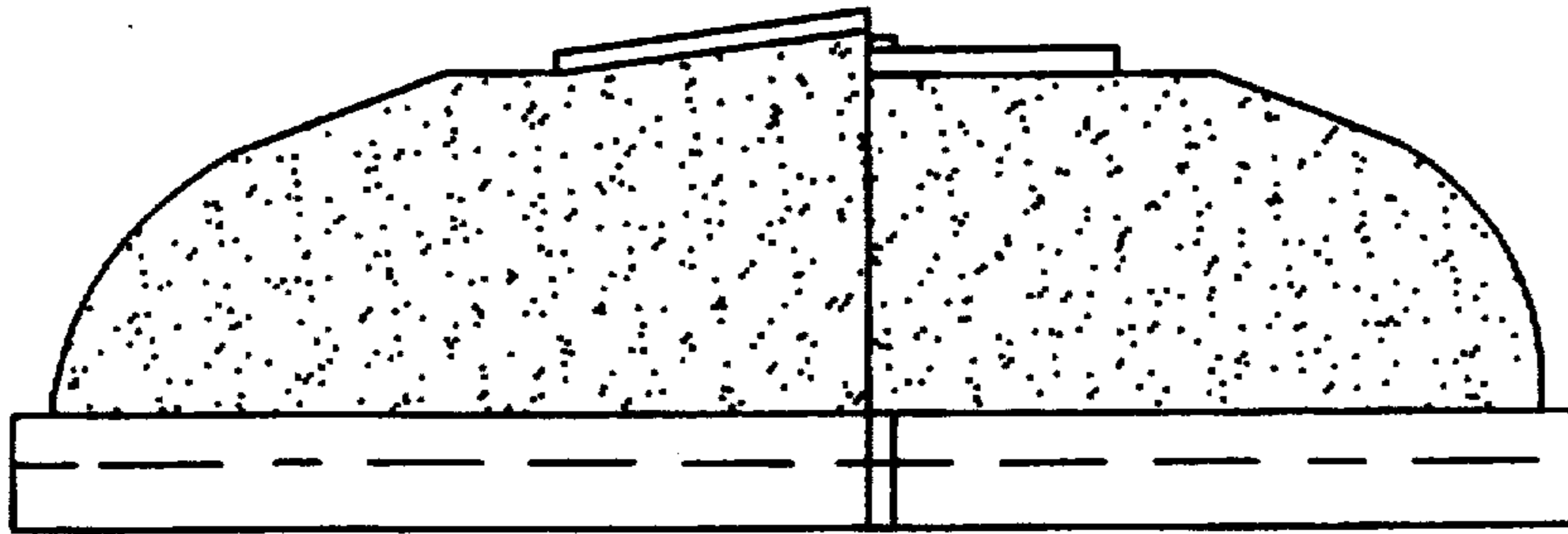


FIG. 5

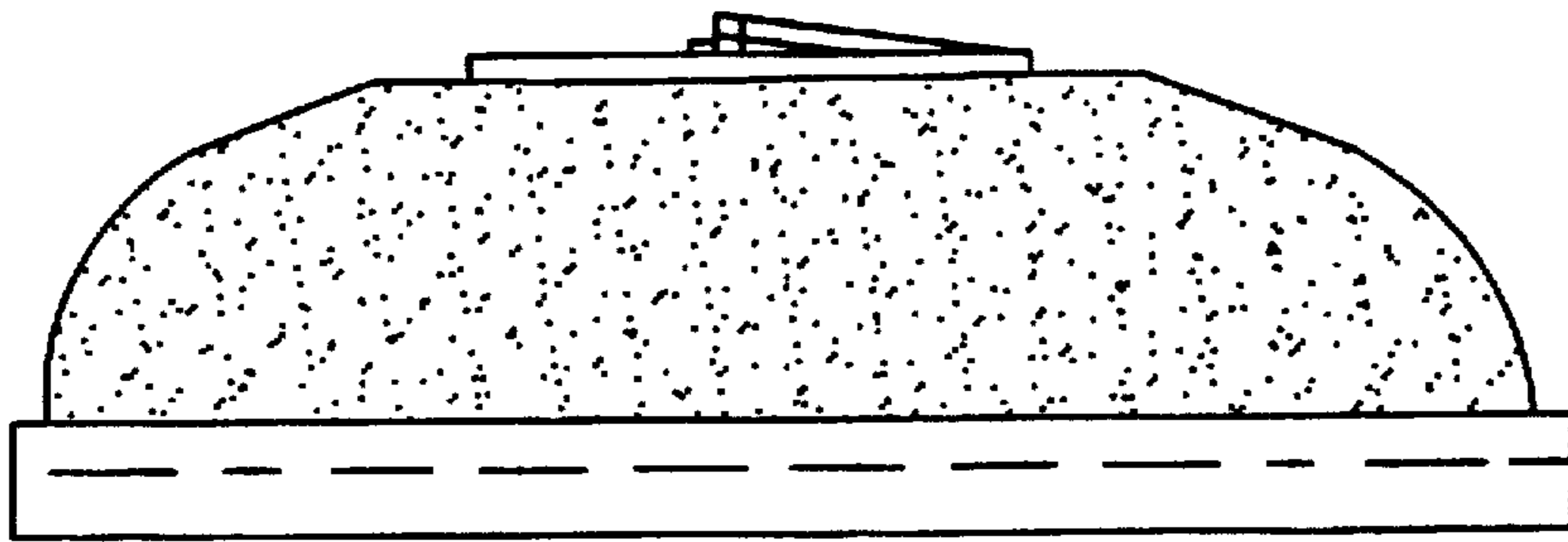


FIG. 6