



US00D408510S

United States Patent [19]
Moreno

[11] **Patent Number: Des. 408,510**
[45] **Date of Patent: **Apr. 20, 1999**

[54] **BASEBOARD HEATER**

4,904,846 2/1990 Oscadal .

[75] **Inventor: Eleobardo Moreno, St. John, Ind.**

Primary Examiner—Lisa Lichtenstein
Attorney, Agent, or Firm—Wallenstein & Wagner, Ltd.

[73] **Assignee: Lakewood Engineering and Manufacturing Co., Chicago, Ill.**

[57] **CLAIM**

[**] **Term: 14 Years**

The ornamental design for a "baseboard heater", as shown and described.

[21] **Appl. No.: 29/092,283**

DESCRIPTION

[22] **Filed: Aug. 14, 1998**

FIG. 1 is a perspective view of the baseboard heater of the present design.

[51] **LOC (6) CL 23-03**

FIG. 2 is a front view of the baseboard heater.

[52] **U.S. Cl. D23/335; D23/332**

FIG. 3 is a rear view of the baseboard heater.

[58] **Field of Search D23/332, 335; 392/352, 353**

FIG. 4 is a top plan view of the baseboard heater.

FIG. 5 is a bottom plan view of the baseboard heater.

FIG. 6 is a right side view of the baseboard heater; and,

FIG. 7 is a left side view of the baseboard heater.

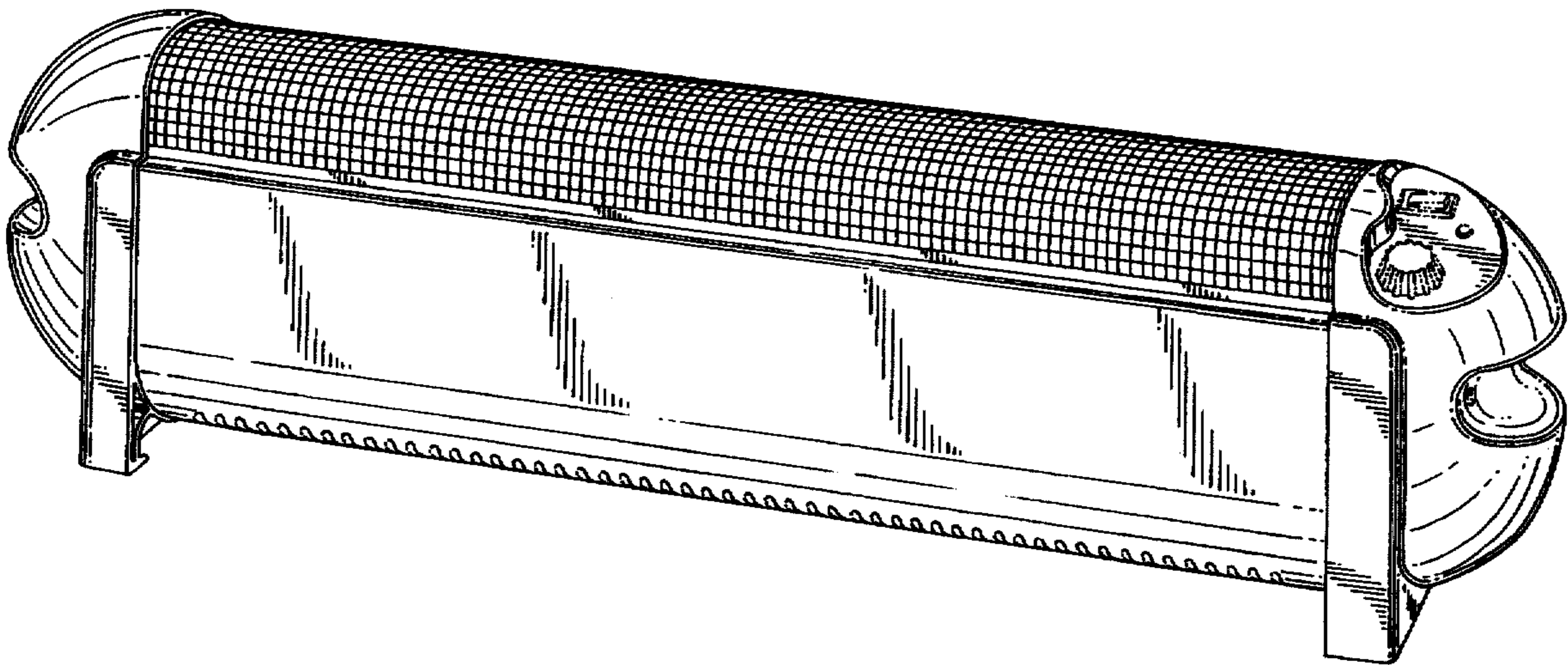
The broken-line showing of environmental structure in FIGS. 1-7 is for illustrative purposes only and forms no part of the claimed design.

[56] **References Cited**

U.S. PATENT DOCUMENTS

D. 311,951	11/1990	Dubin	D23/335
D. 341,651	11/1993	Cunning	D23/335
2,530,806	11/1950	Boxrud .	
3,532,856	10/1970	Collins .	

1 Claim, 3 Drawing Sheets



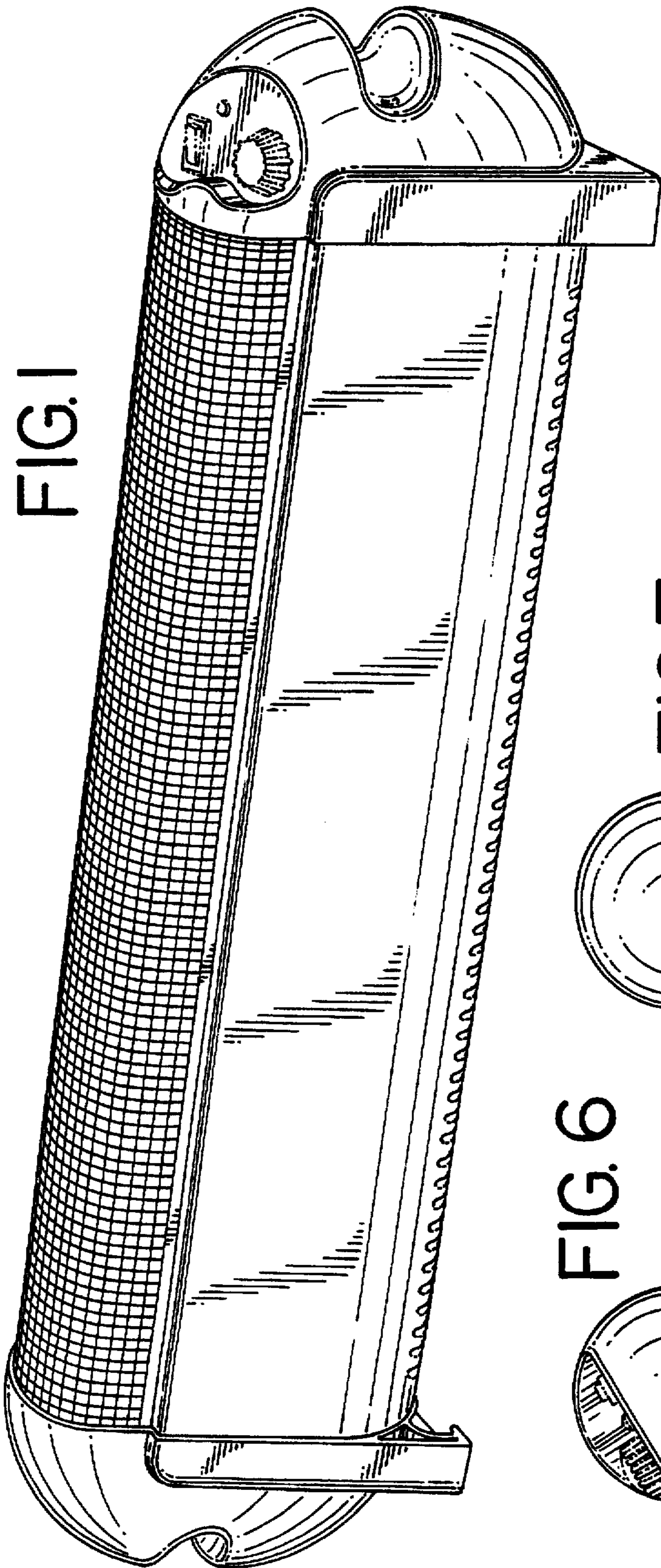


FIG. 6

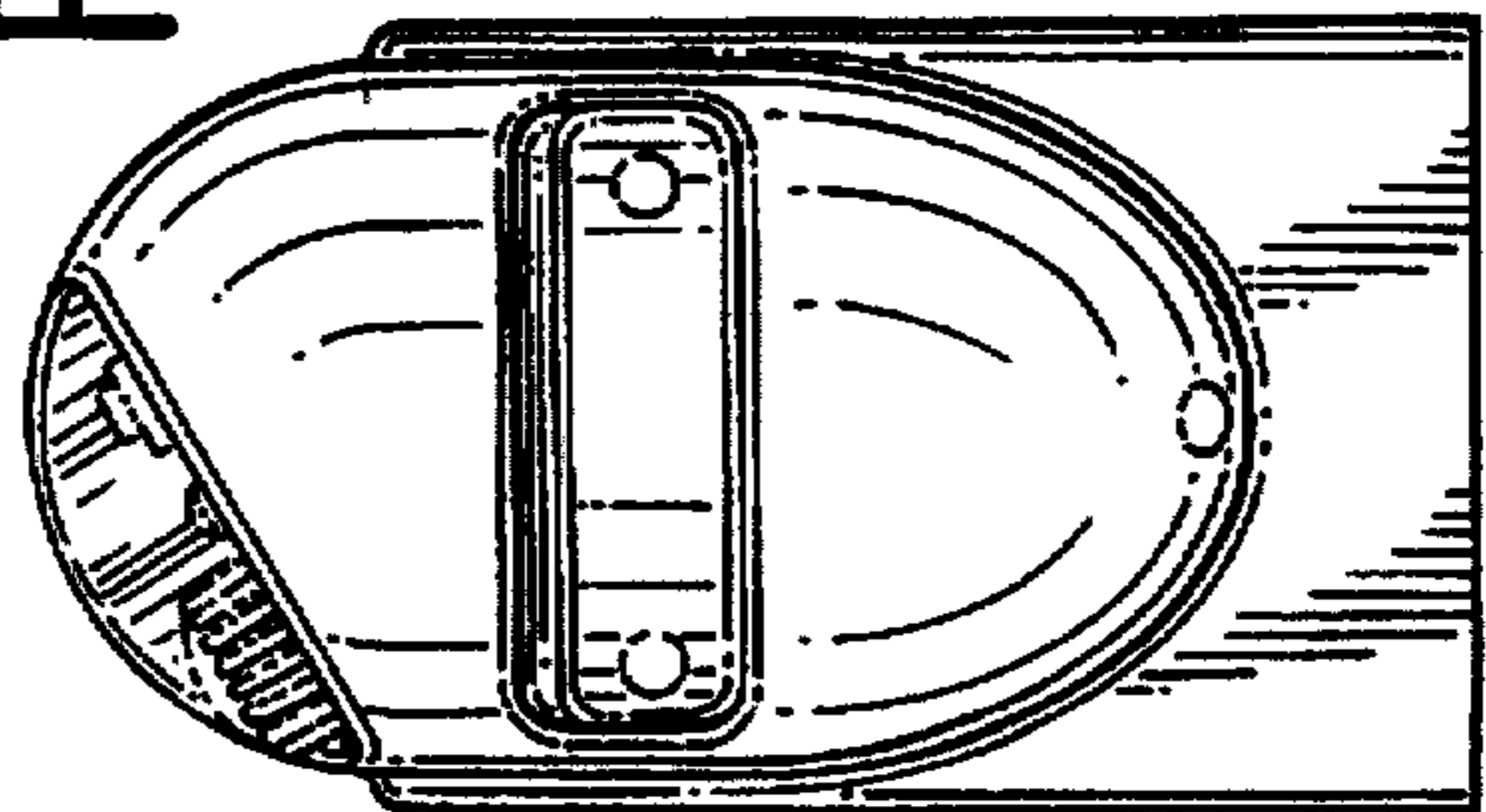


FIG. 7

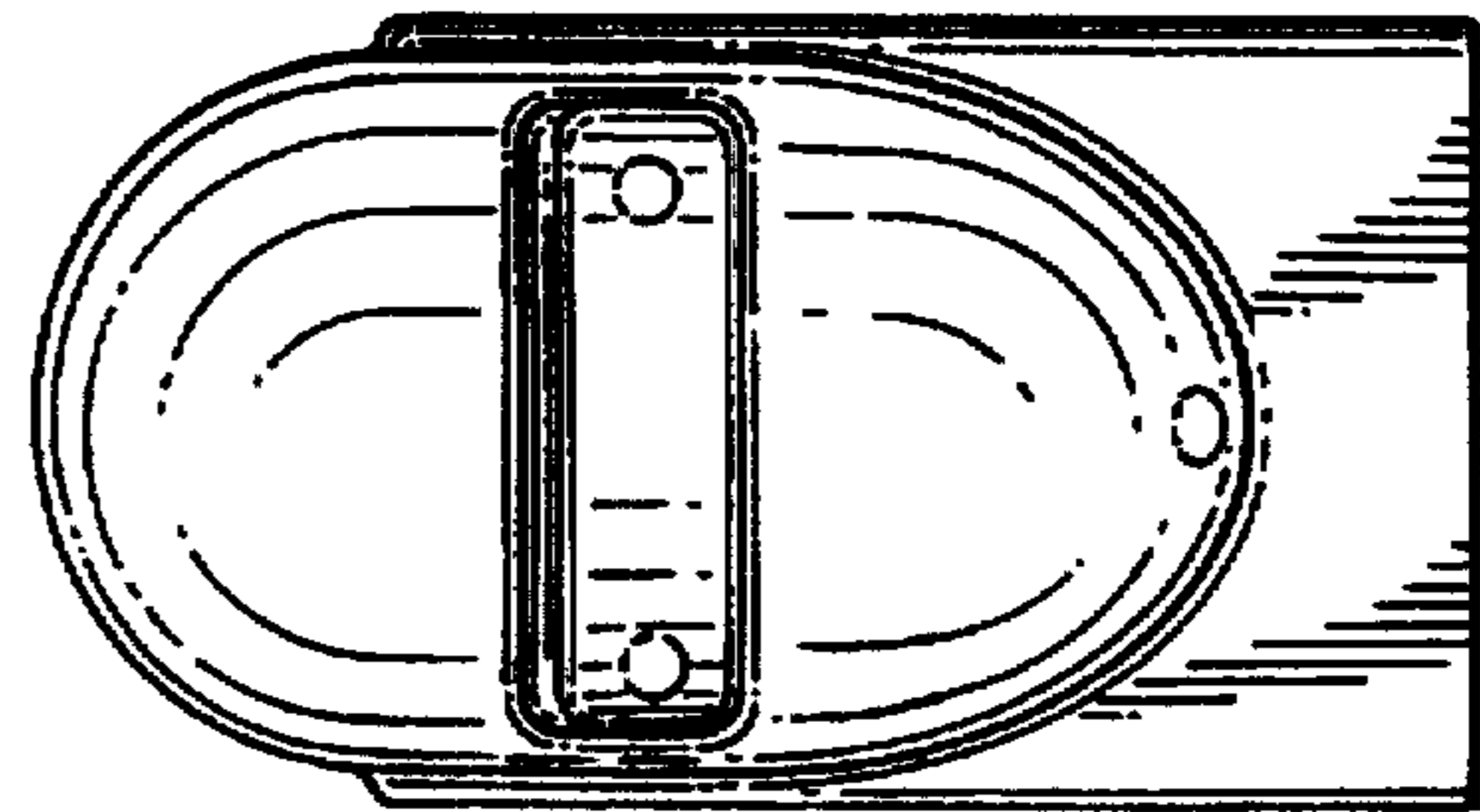


FIG. 2

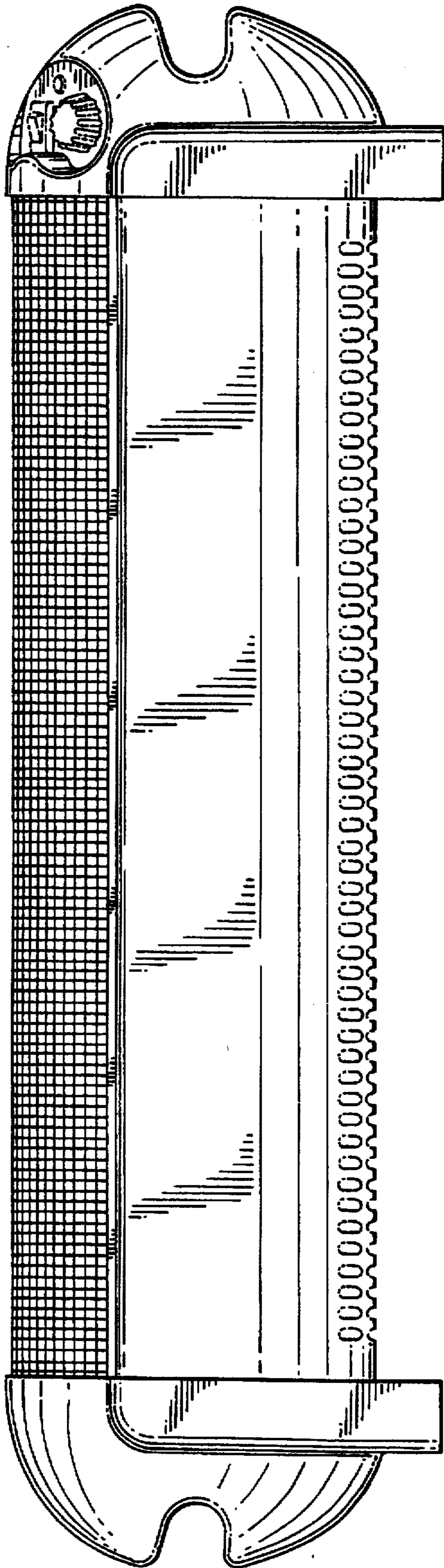


FIG. 3

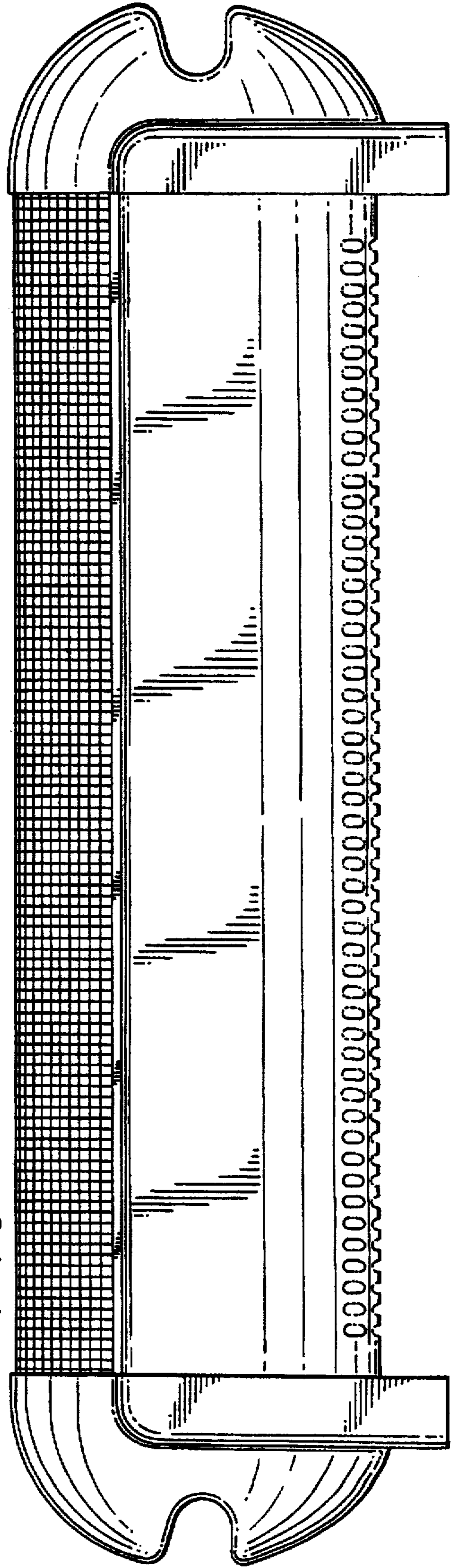


FIG. 4

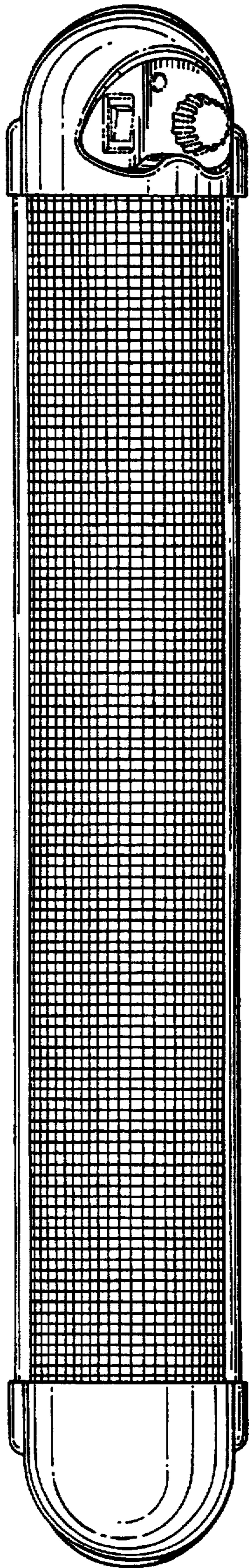


FIG. 5

