



US00D408509S

United States Patent [19]

Goble

[11] Patent Number: Des. 408,509

[45] Date of Patent: **Apr. 20, 1999

[54] TOILET SEAT, COVER AND LID FOR A BUCKET

[76] Inventor: Rowland H. Goble, 145 W. Crystal Lake Ave., Lake Mary, Fla. 32746-2913

[**] Term: 14 Years

[21] Appl. No.: 29/091,211

[22] Filed: Jul. 24, 1998

[51] LOC (6) Cl. 23-02

[52] U.S. Cl. D23/311

[58] Field of Search D23/303-312, D23/295-301; 4/217, 237, 234, 236, 242.1, 245.1, 245.3, 252.1, 253.1, 460; D6/351; D32/54; 248/213.2; 220/522

[56] **References Cited**

U.S. PATENT DOCUMENTS

D. 26,365	12/1896	Nichols	D23/311
D. 42,985	9/1912	Tilden	D23/311
D. 190,555	6/1961	Weidner	D23/311
D. 391,717	3/1998	Stein	D32/54
3,751,845	8/1973	Van Leeuwen	D6/351 X
4,295,680	10/1981	Grasso	D6/351 X
4,606,080	8/1986	Clementino	4/460
4,848,076	7/1989	Menges, Sr. et al.	248/213.2 X
5,429,265	7/1995	Moire et al.	220/522

Primary Examiner—Louis S. Zarfes
Assistant Examiner—Eric Watterson
Attorney, Agent, or Firm—William M. Hobby, III

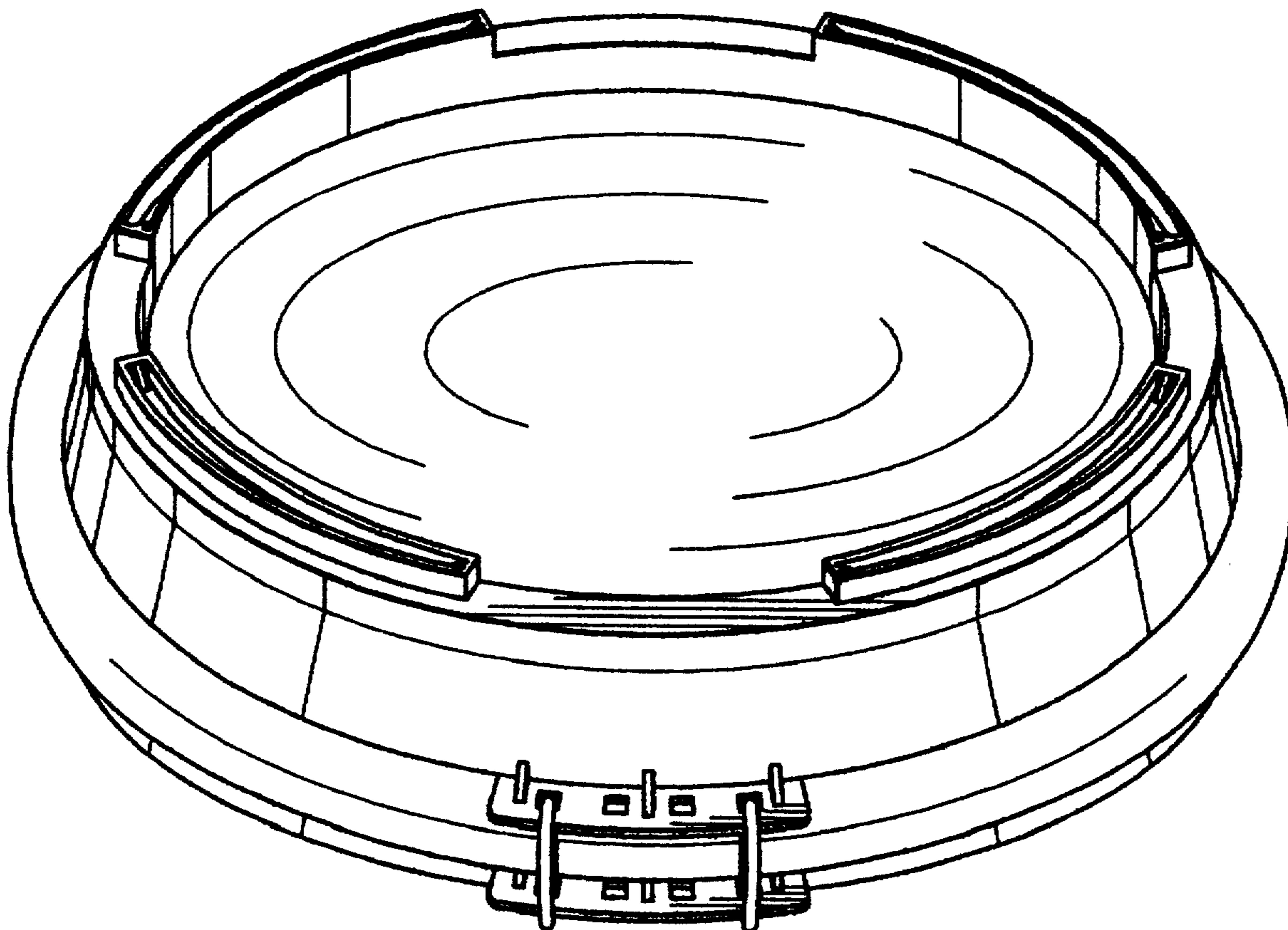
[57] **CLAIM**

The ornamental design for a toilet seat, cover and lid for a bucket, as shown and described.

DESCRIPTION

FIG. 1 is a top, rear perspective view of my new toilet seat, cover and lid for a bucket having the cover over the toilet seat;
FIG. 2 is a front side elevation;
FIG. 3 is a rear side elevation;
FIG. 4 is a right side elevation;
FIG. 5 is a left side elevation;
FIG. 6 is a top plan view;
FIG. 7 is a bottom plan view;
FIG. 8 is a top rear perspective view having the cover under the toilet seat;
FIG. 9 is a front elevation;
FIG. 10 is a rear elevation;
FIG. 11 is a right side elevation;
FIG. 12 is a left side elevation;
FIG. 13 is a top plan view; and,
FIG. 14 is a bottom plan view.

1 Claim, 4 Drawing Sheets



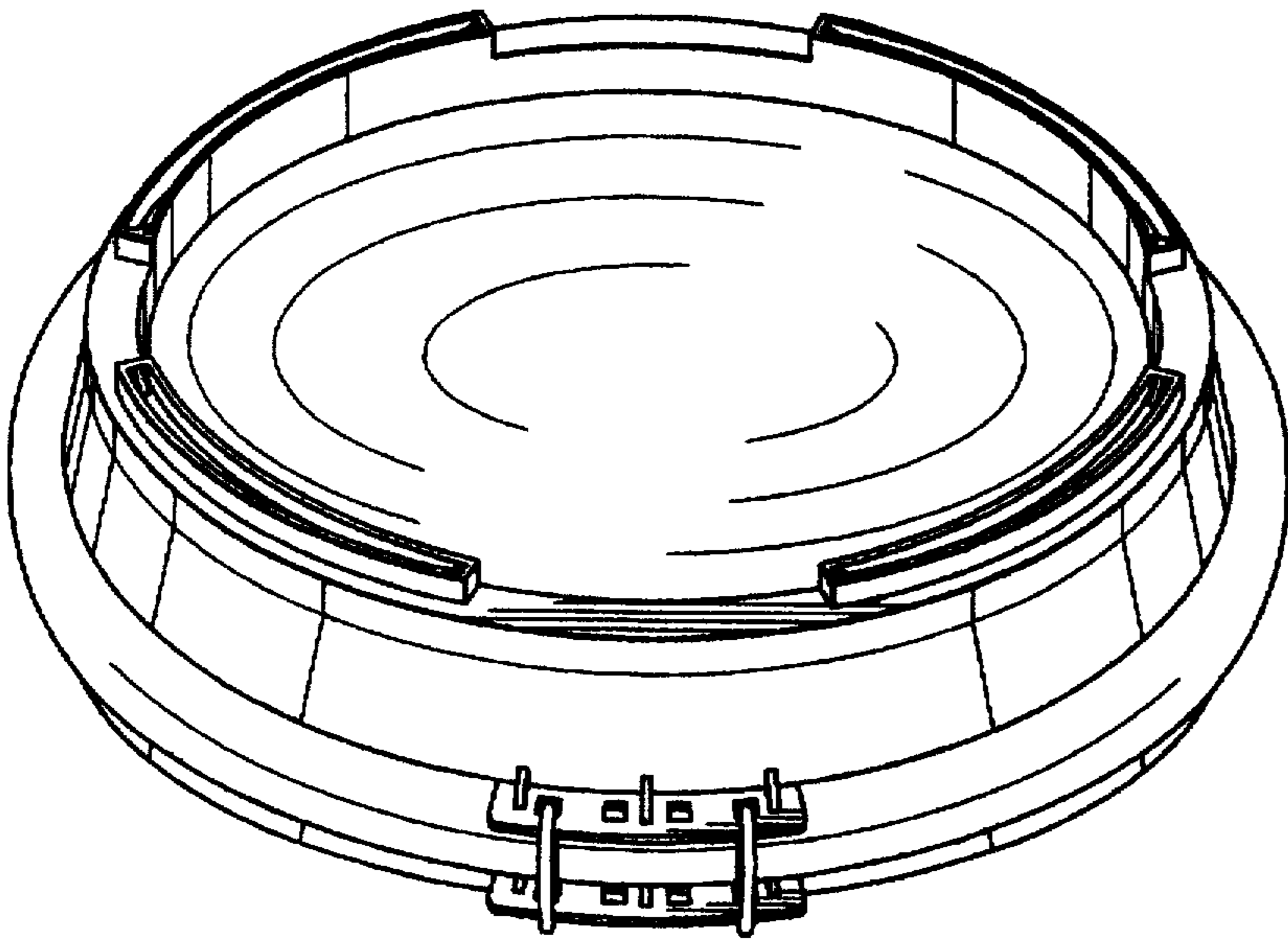


FIG. 1

FIG. 2

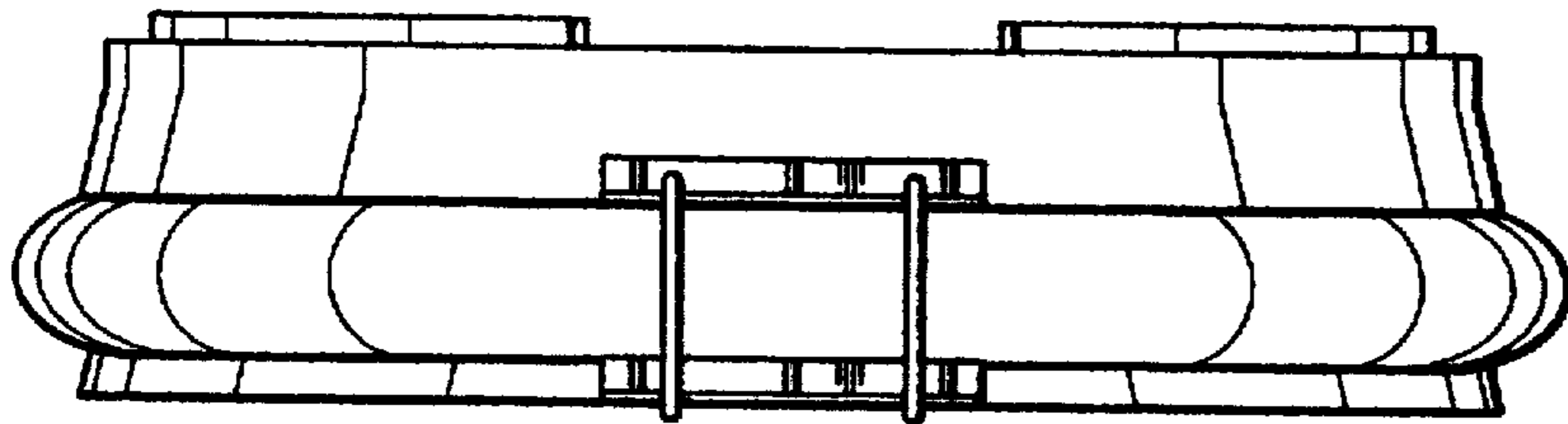
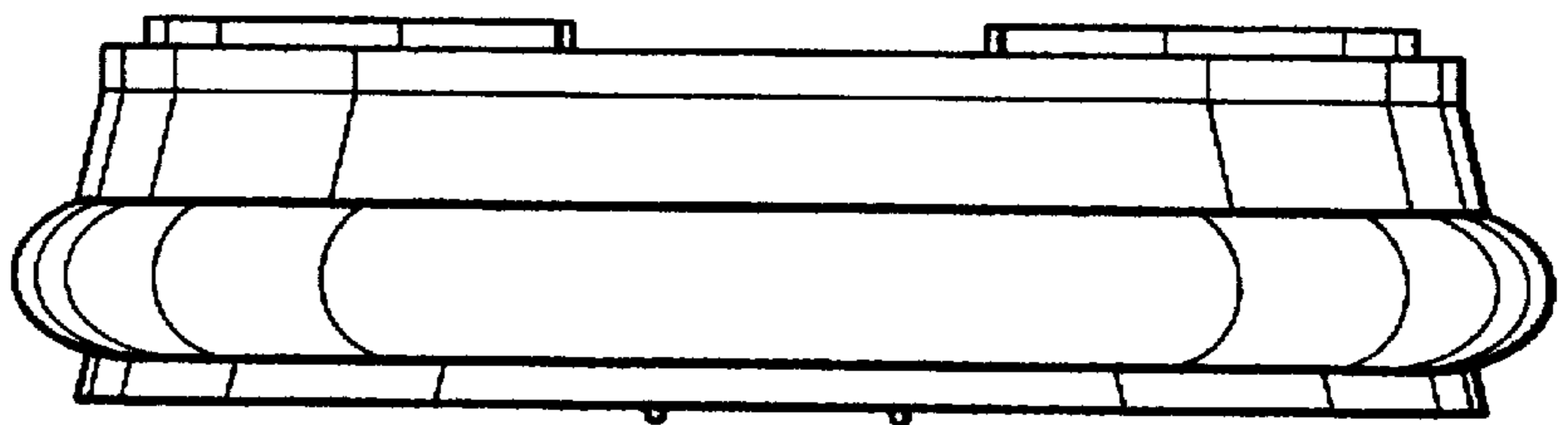


FIG. 3

FIG. 4

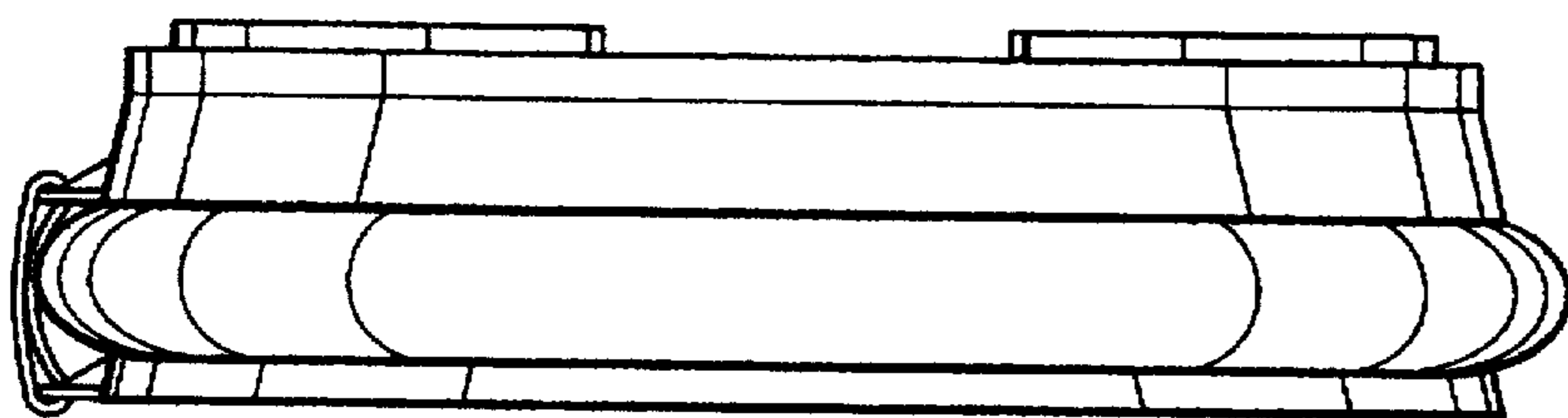
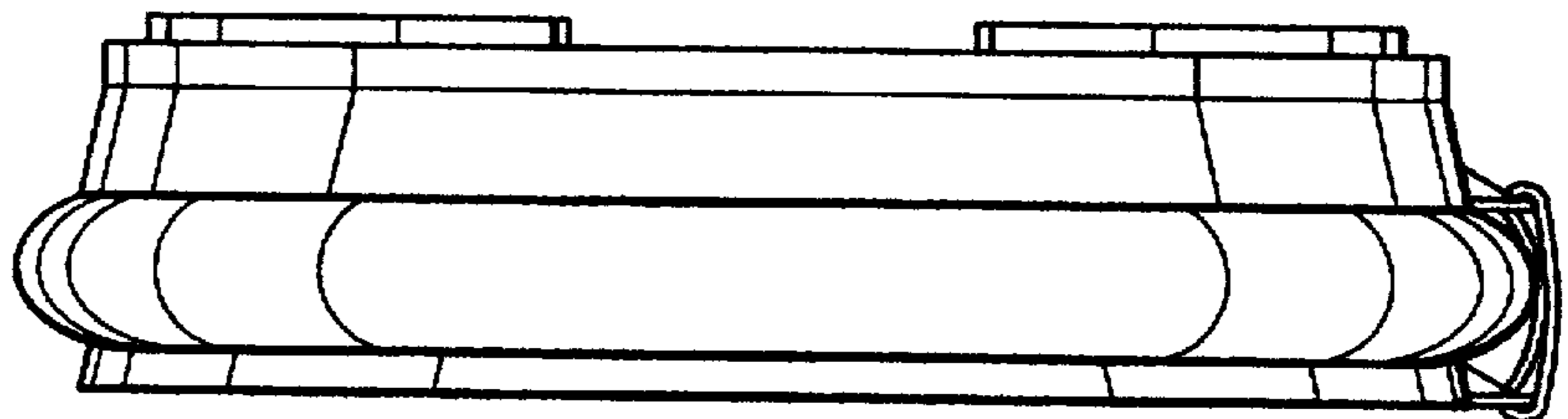


FIG. 5

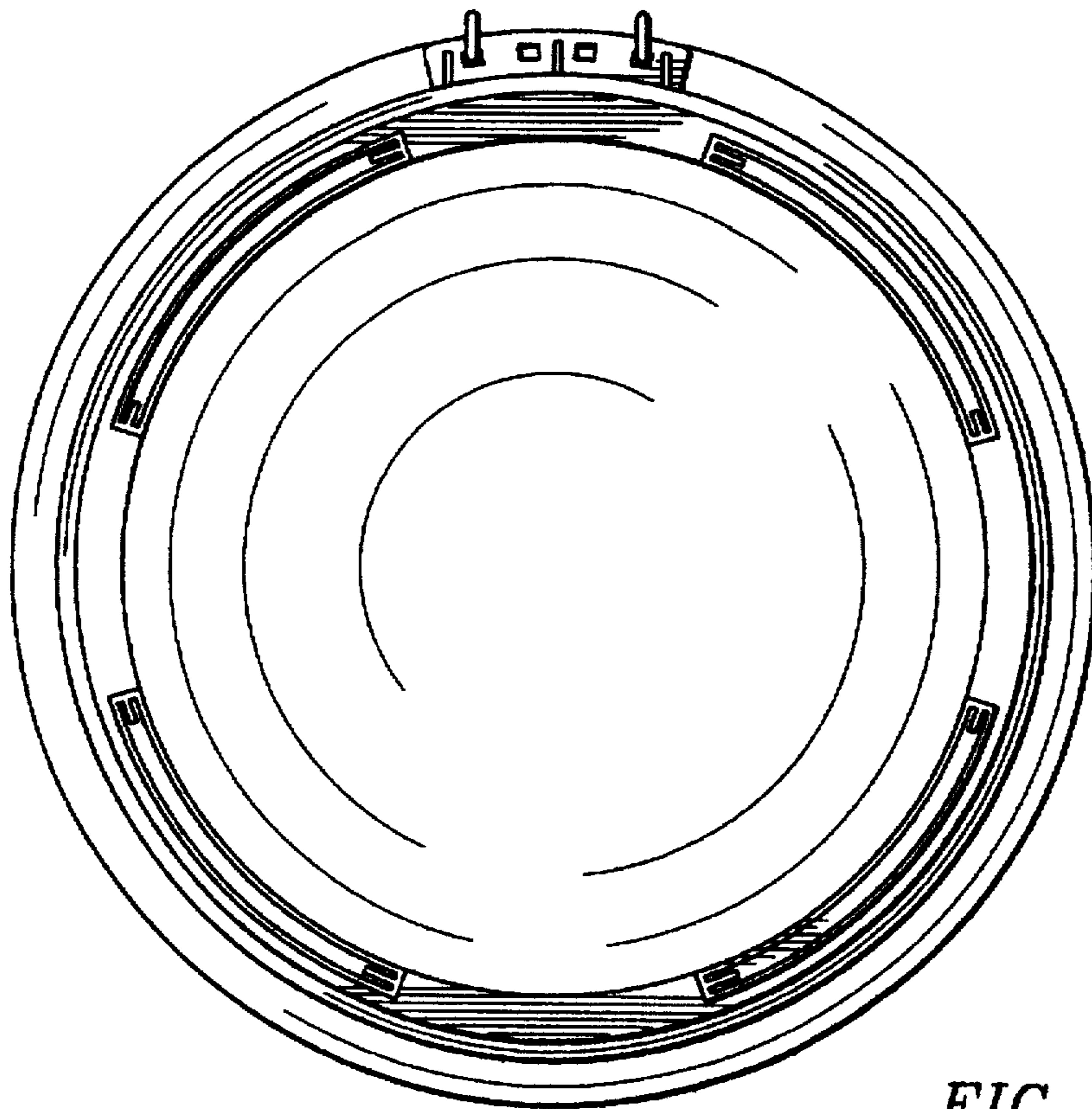


FIG. 6

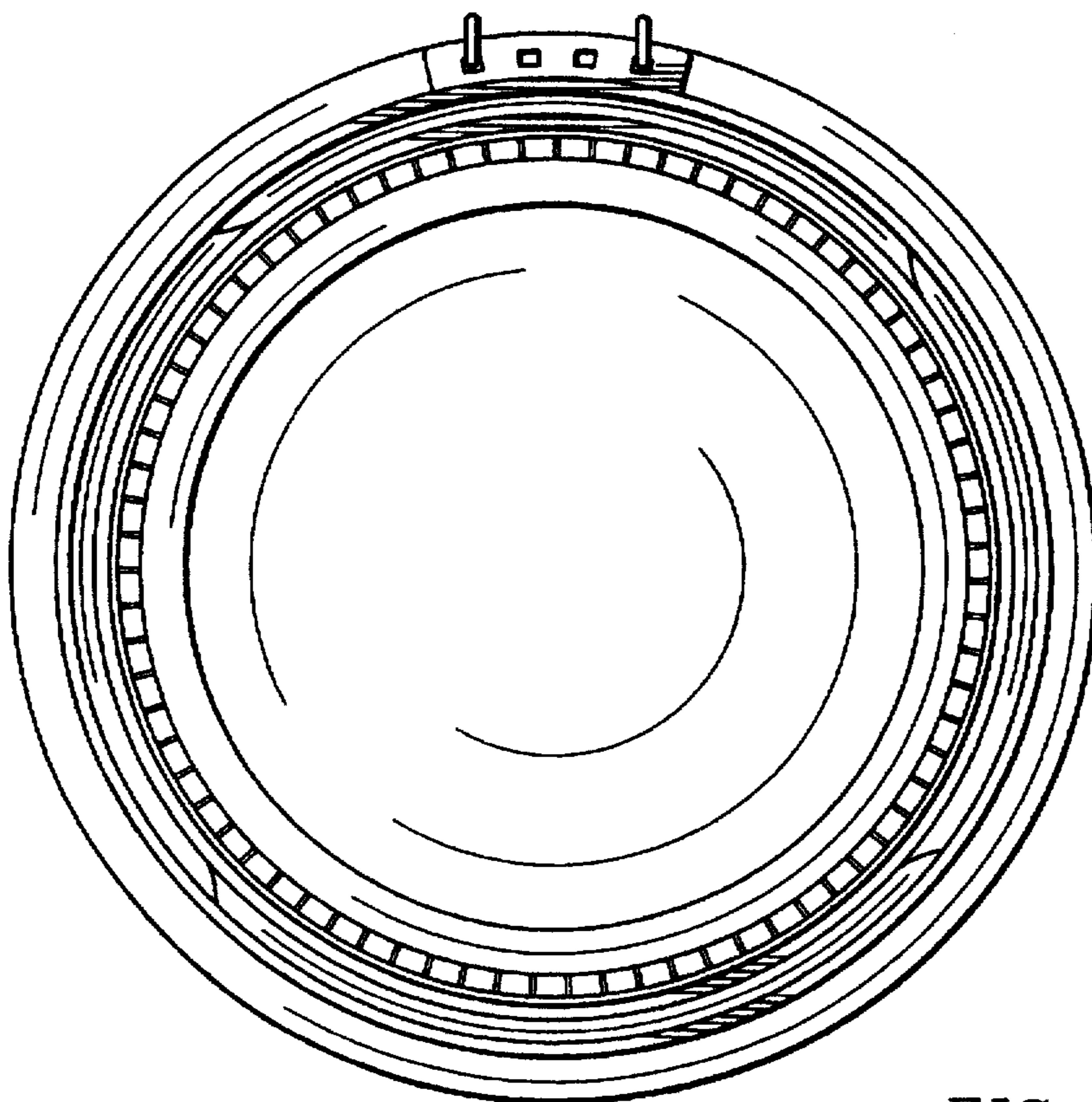


FIG. 7

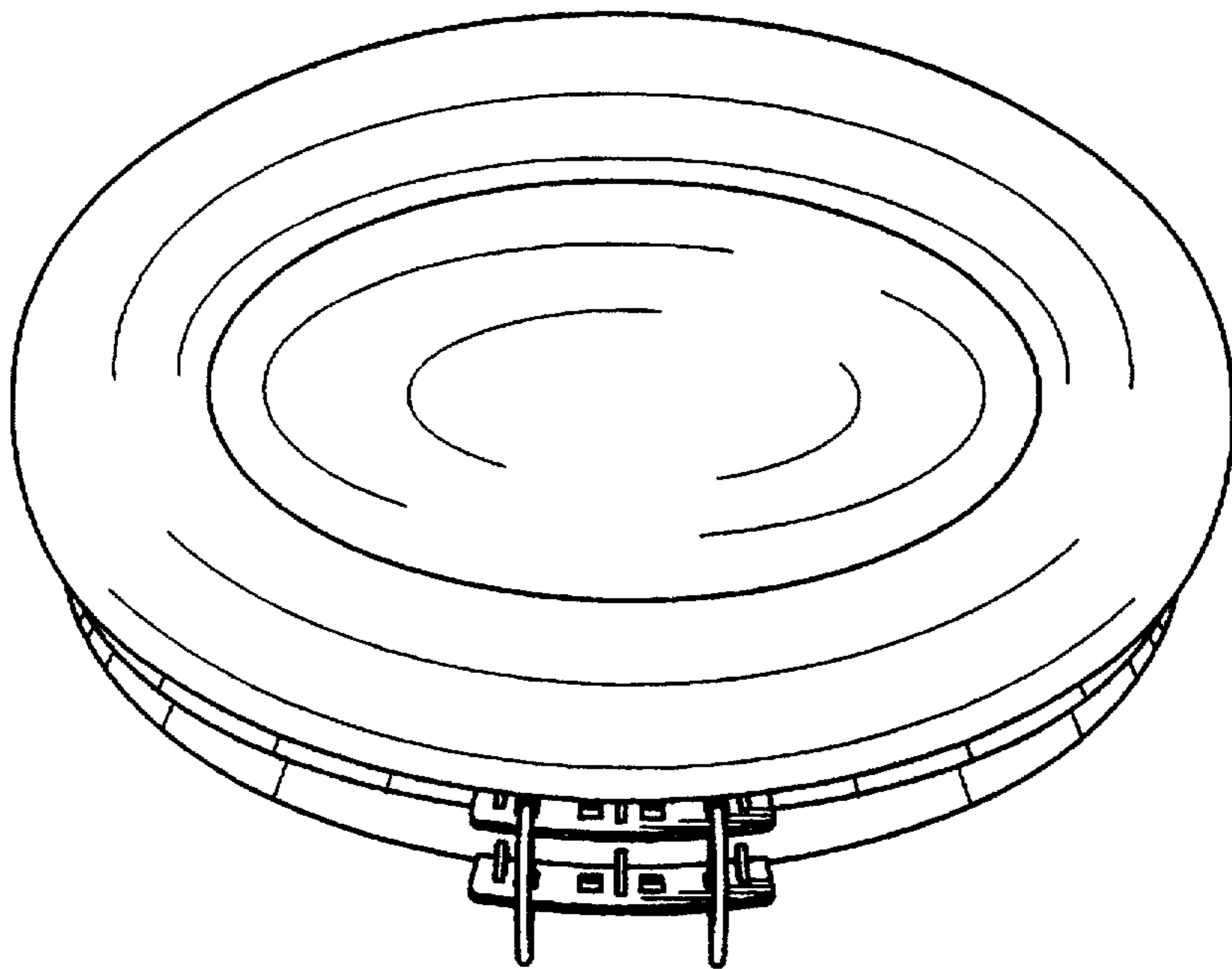


FIG. 8

FIG. 9

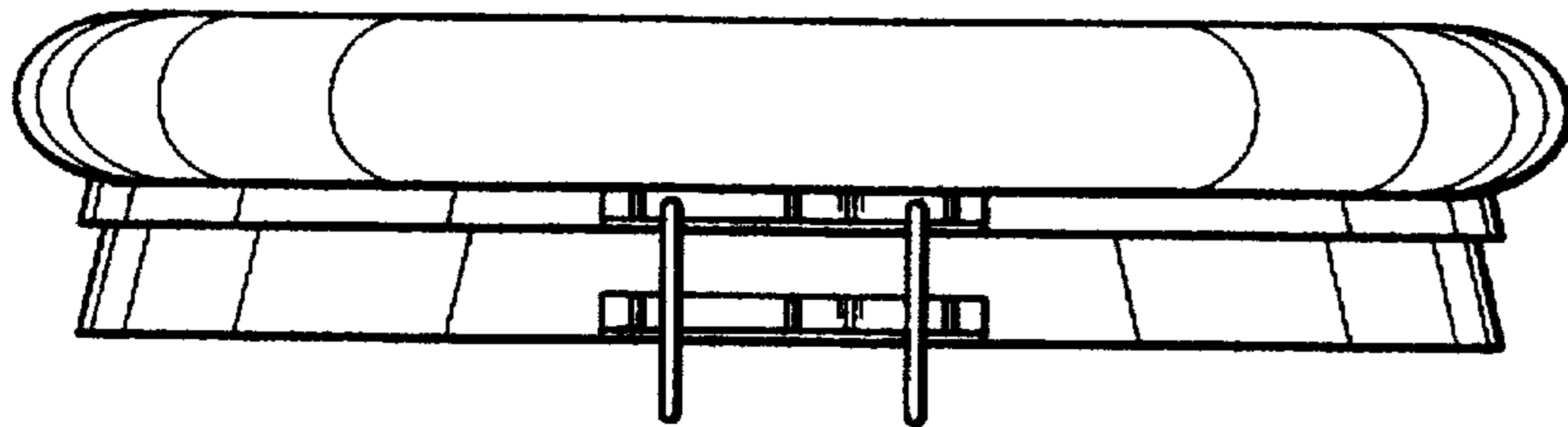
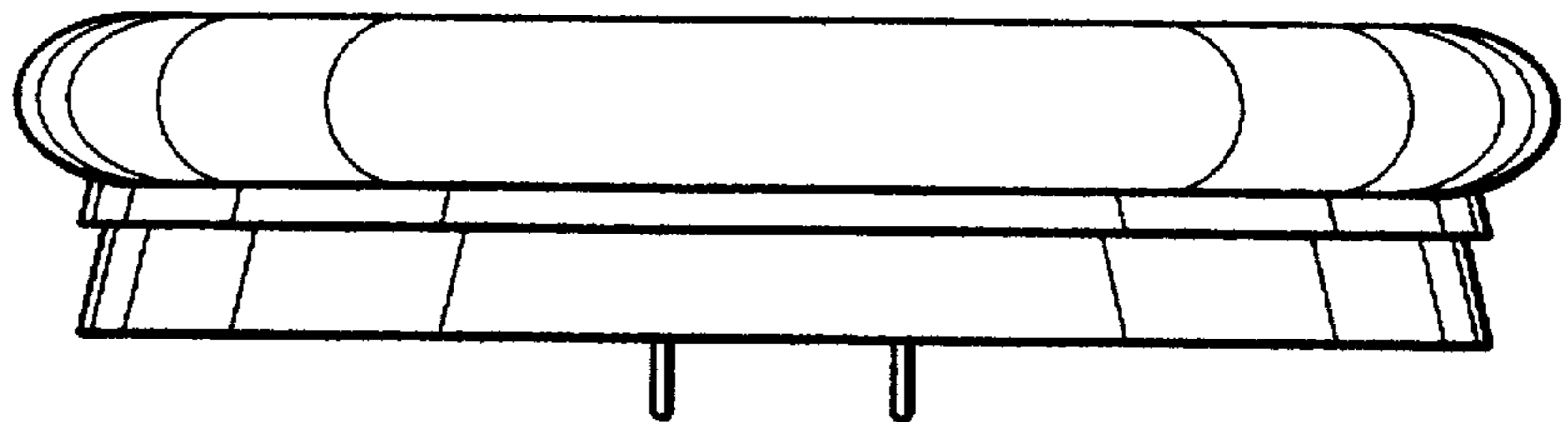


FIG. 10

FIG. 11

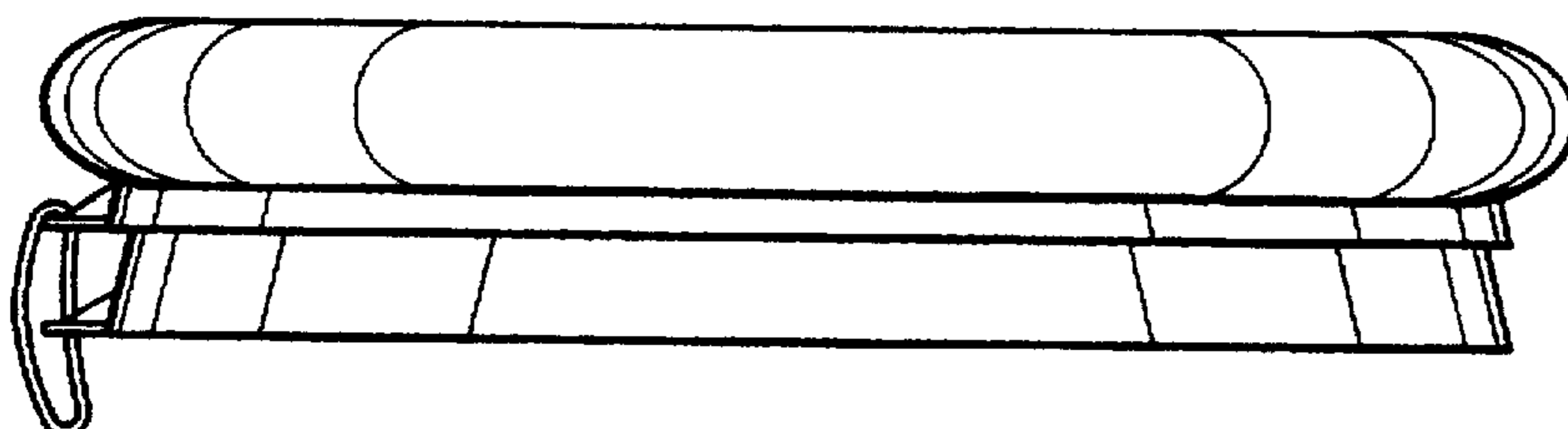
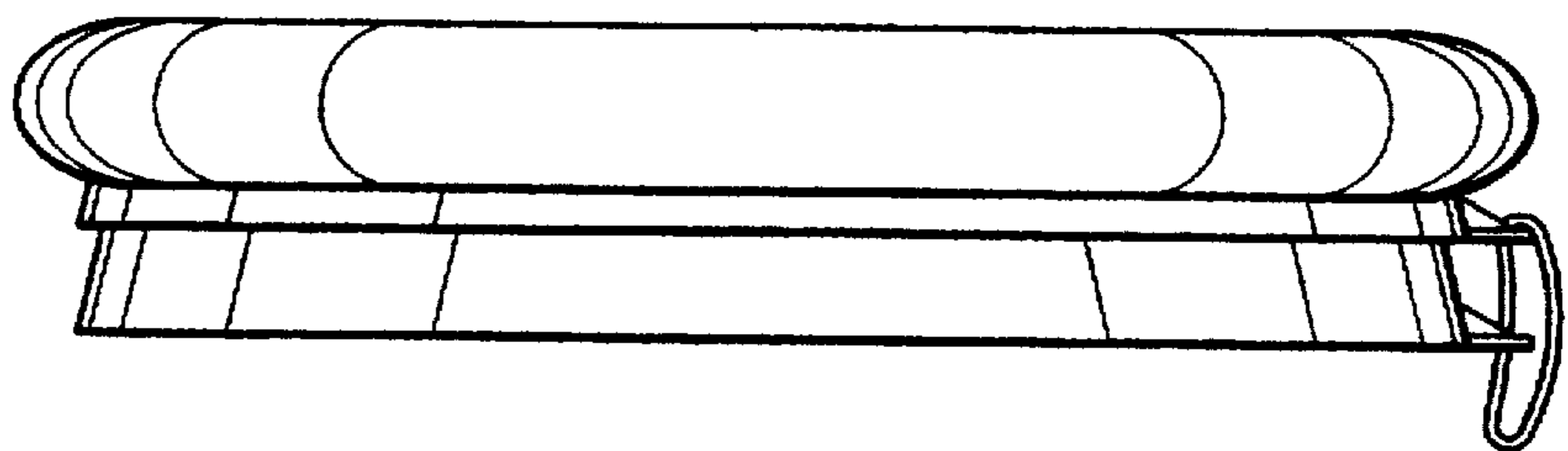


FIG. 12

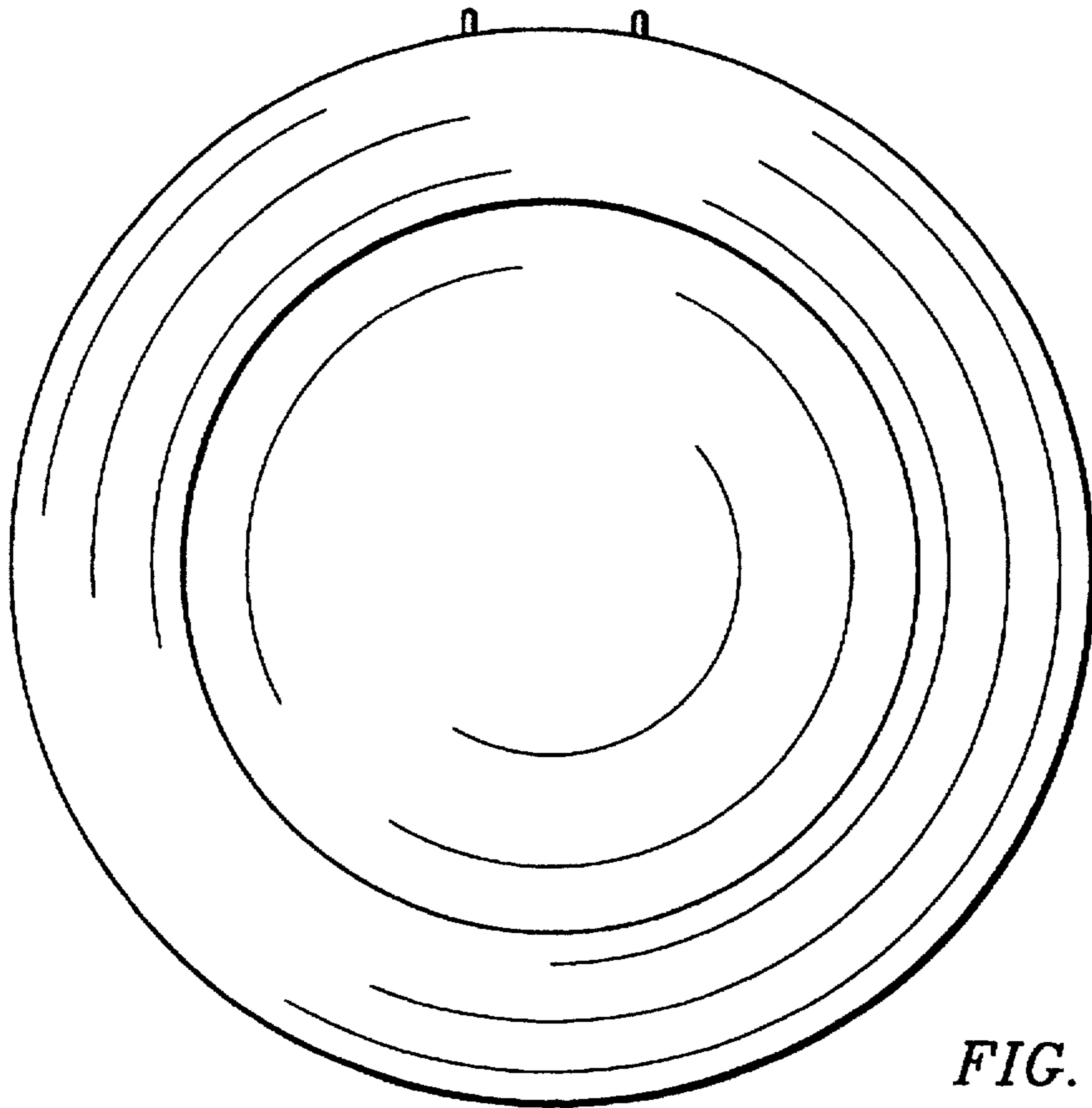


FIG. 13

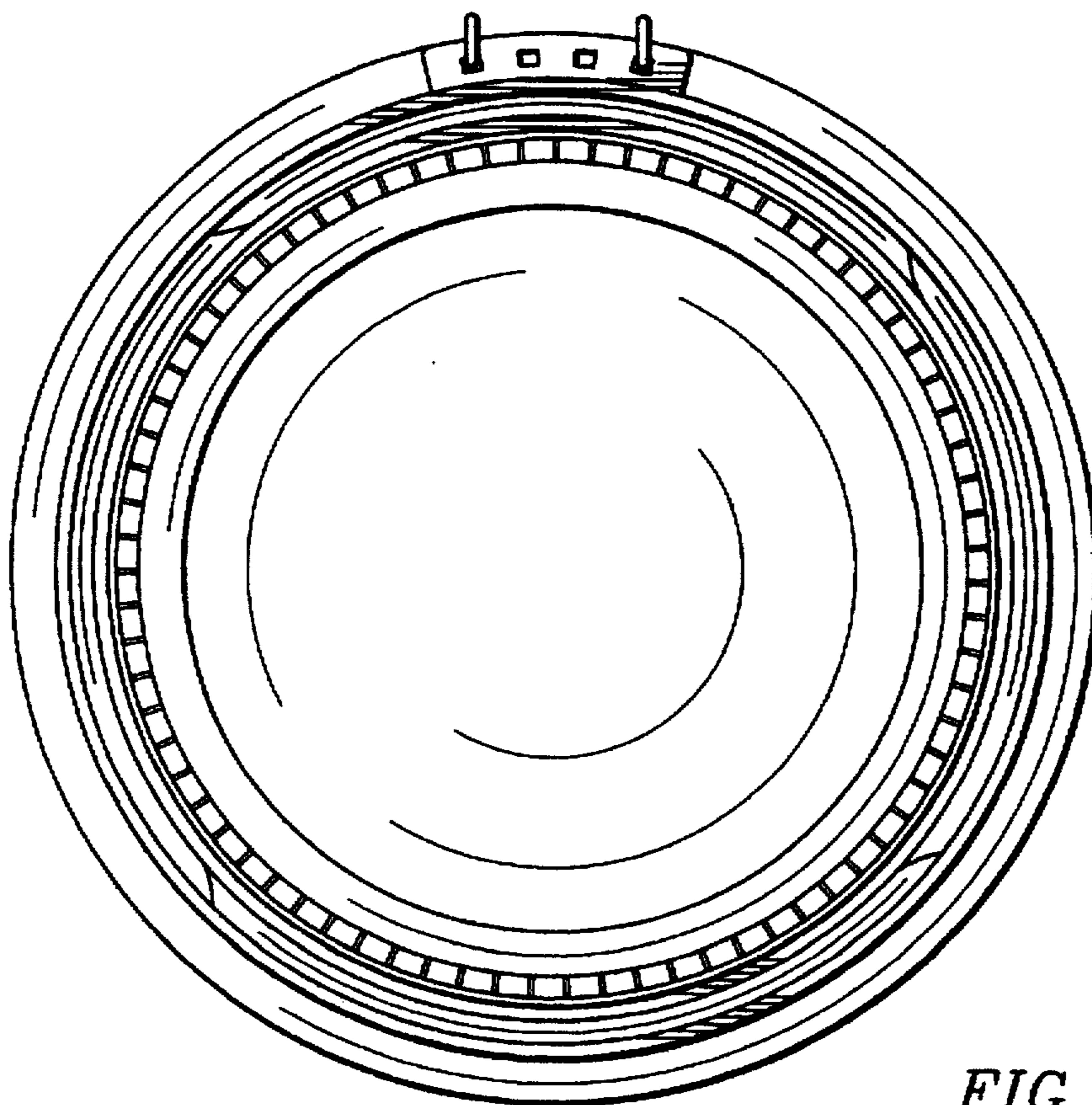


FIG. 14