



US00D408507S

**United States Patent** [19]  
**Svendsen**

[11] **Patent Number: Des. 408,507**  
[45] **Date of Patent: \*\*Apr. 20, 1999**

[54] **LAVATORY**  
[75] **Inventor: Sean W. Svendsen, Columbus, Ohio**  
[73] **Assignee: American Standard Inc., Piscataway, N.J.**  
[\*\*] **Term: 14 Years**

D. 321,754 11/1991 Reid ..... D23/292  
D. 367,523 2/1996 Chen ..... D23/292  
D. 368,768 4/1996 Kaiser .  
D. 371,190 6/1996 Kaiser .  
D. 389,563 1/1998 Kergoet ..... D23/292

*Primary Examiner—Louis S. Zarfaz*  
*Assistant Examiner—Eric Watterson*

[21] **Appl. No.: 29/086,556**  
[22] **Filed: Apr. 15, 1998**

[57] **CLAIM**

The ornamental design for a lavatory, as shown and described.

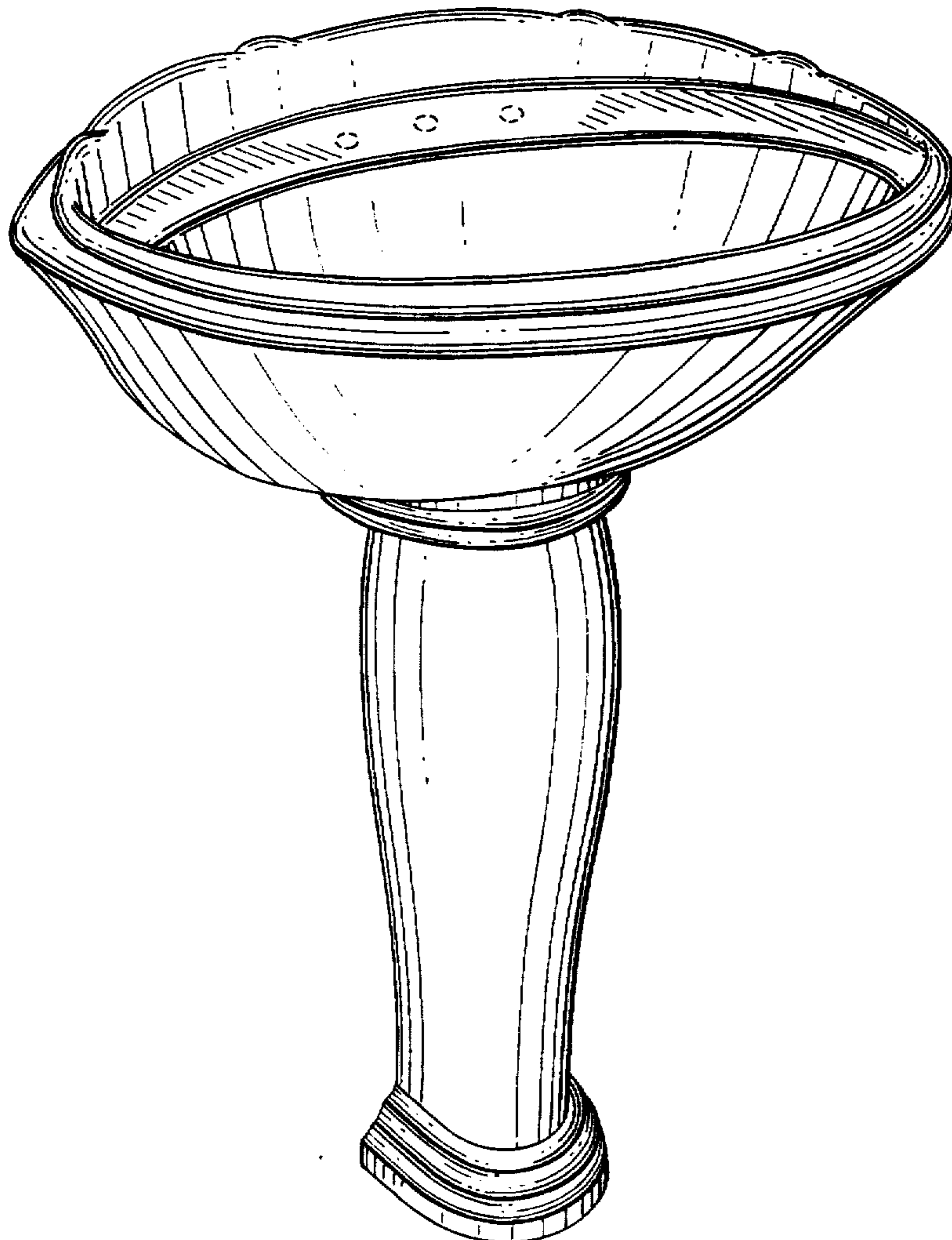
[51] **LOC (6) Cl. .... 23-01**  
[52] **U.S. Cl. .... D23/292**  
[58] **Field of Search .... D23/284, 285, D23/287-293.1; 4/619, 624, 626, 638-650**

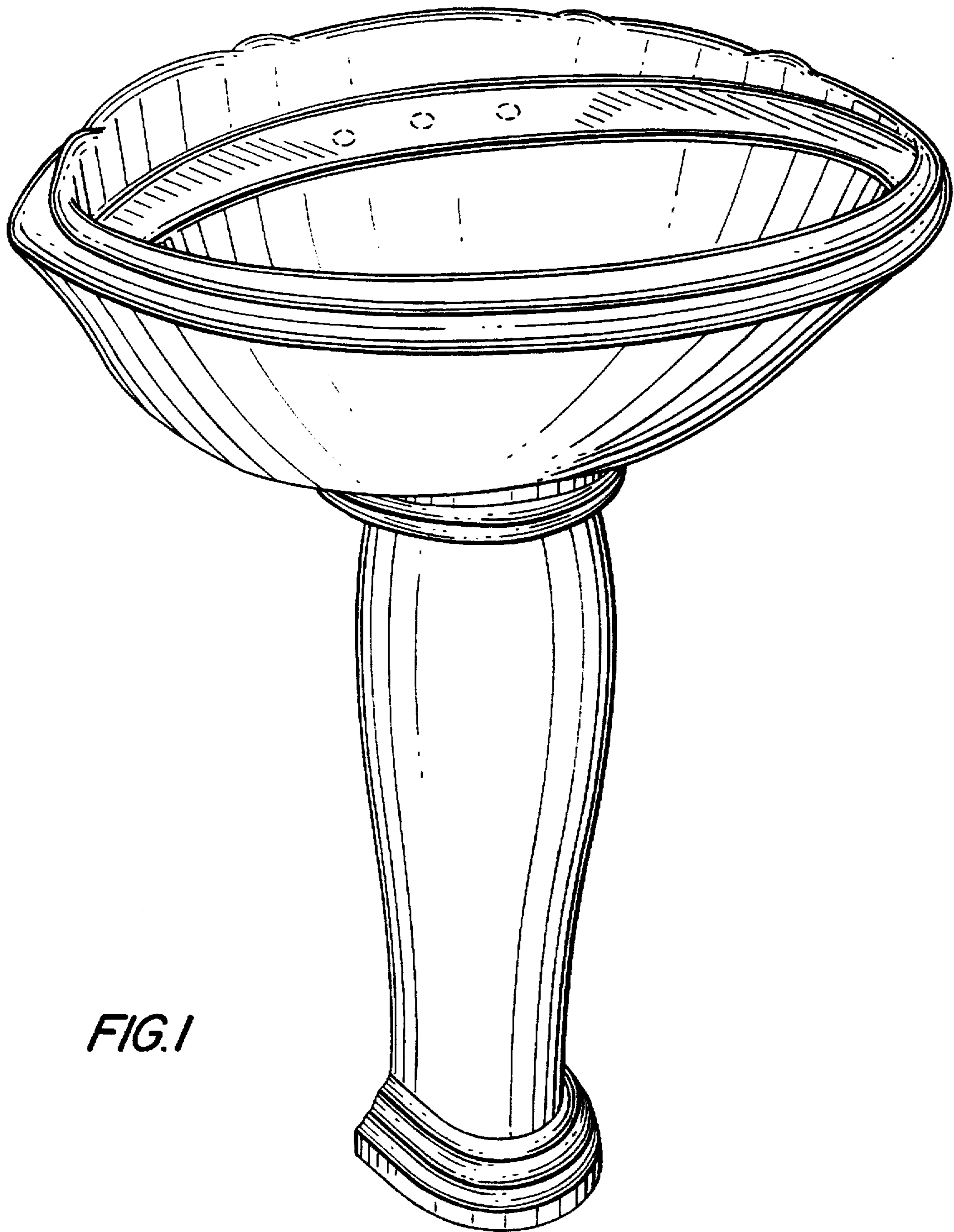
**DESCRIPTION**

FIG. 1 is a top, front, and left side perspective view of a lavatory showing my new design;  
FIG. 2 is a top plan view thereof;  
FIG. 3 is a front elevational view thereof;  
FIG. 4 is a right side elevational view, the opposite side being a mirror image;  
FIG. 5 is a rear elevational view thereof; and,  
FIG. 6 is a bottom plan view thereof.

[56] **References Cited**  
**U.S. PATENT DOCUMENTS**  
D. 36,907 5/1904 Weelans .  
D. 76,700 10/1928 Nash .  
D. 320,068 9/1991 Waldren .  
D. 320,437 10/1991 McKeone .

**1 Claim, 5 Drawing Sheets**

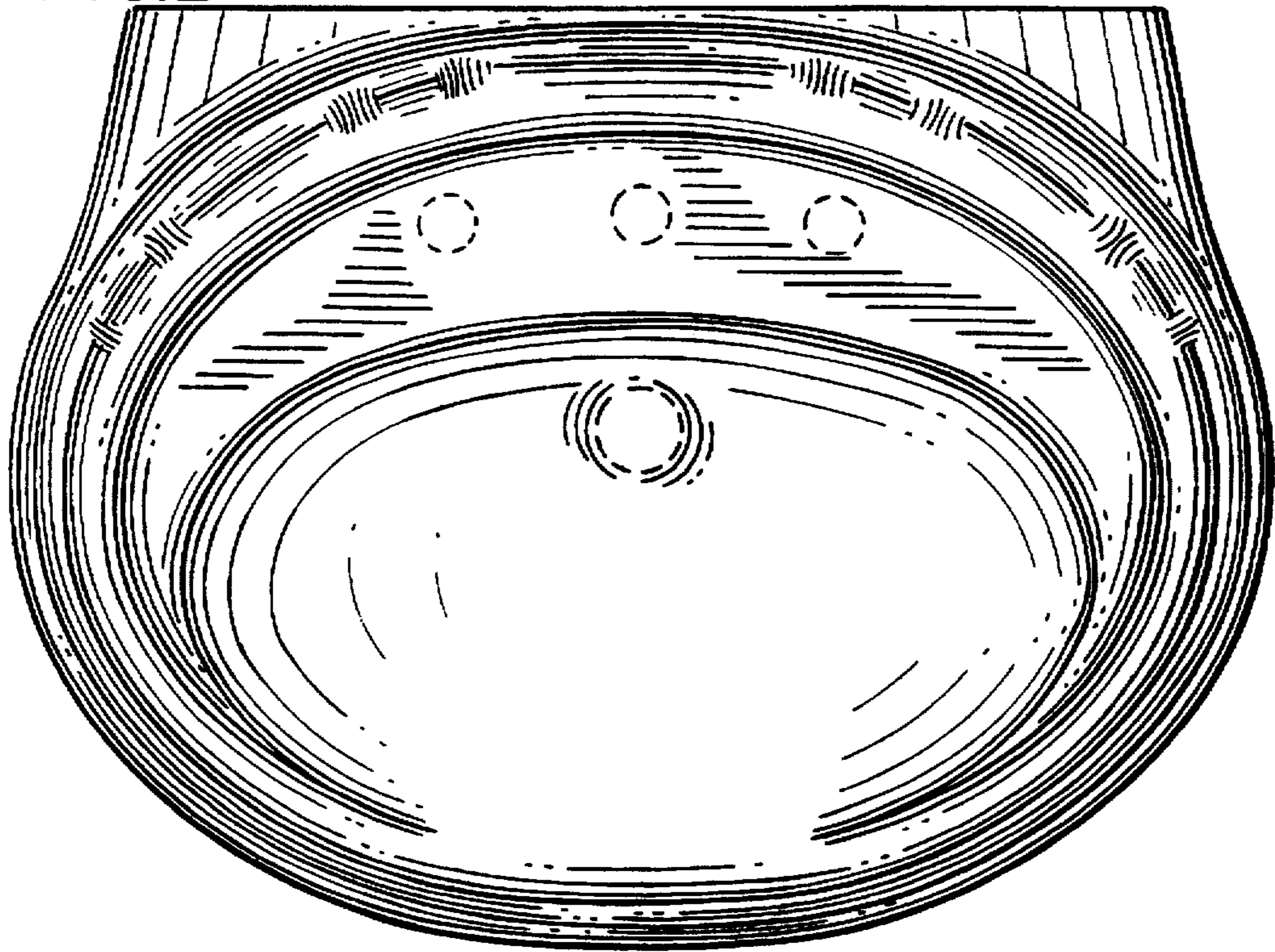




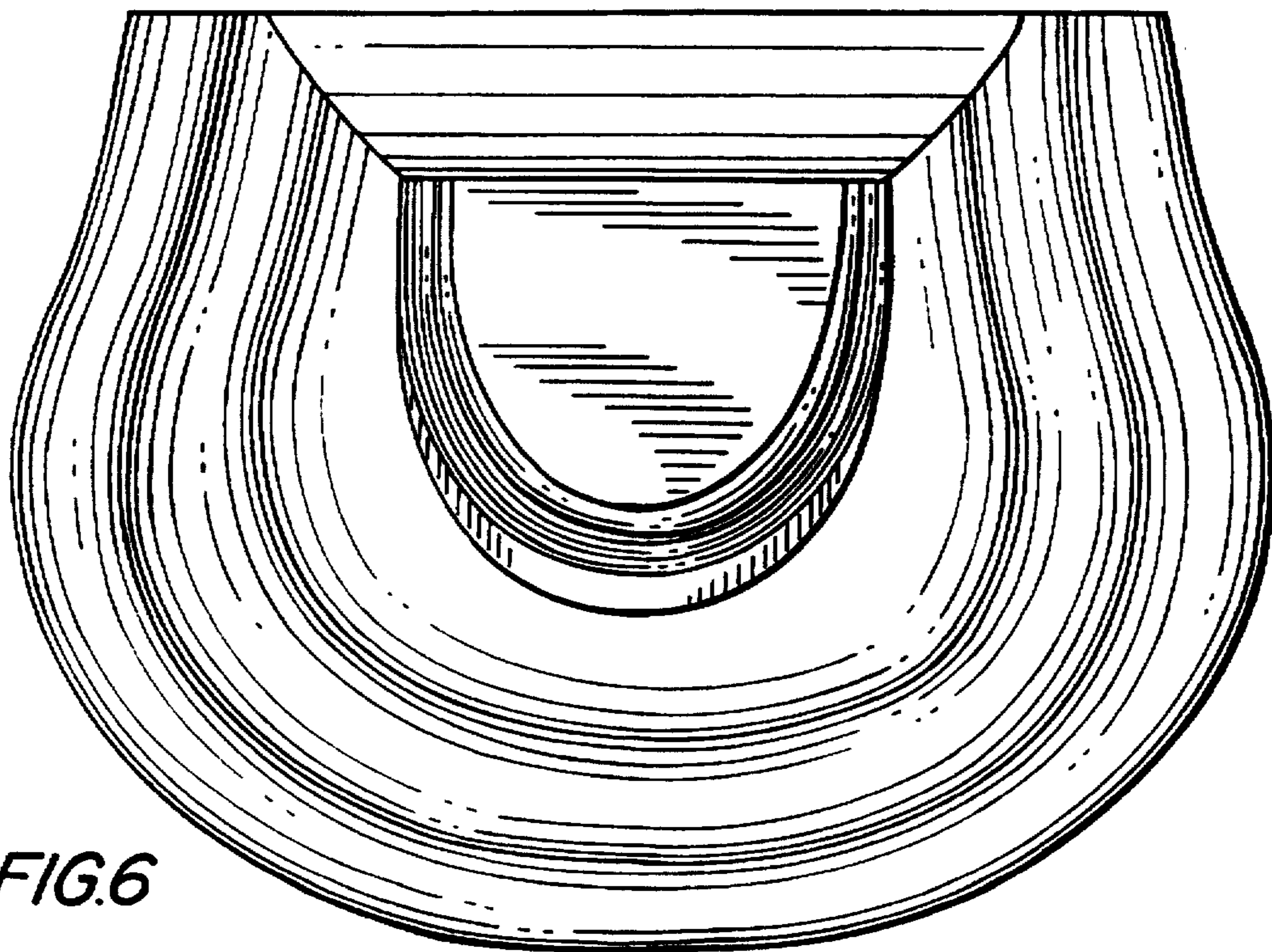
*FIG. 1*



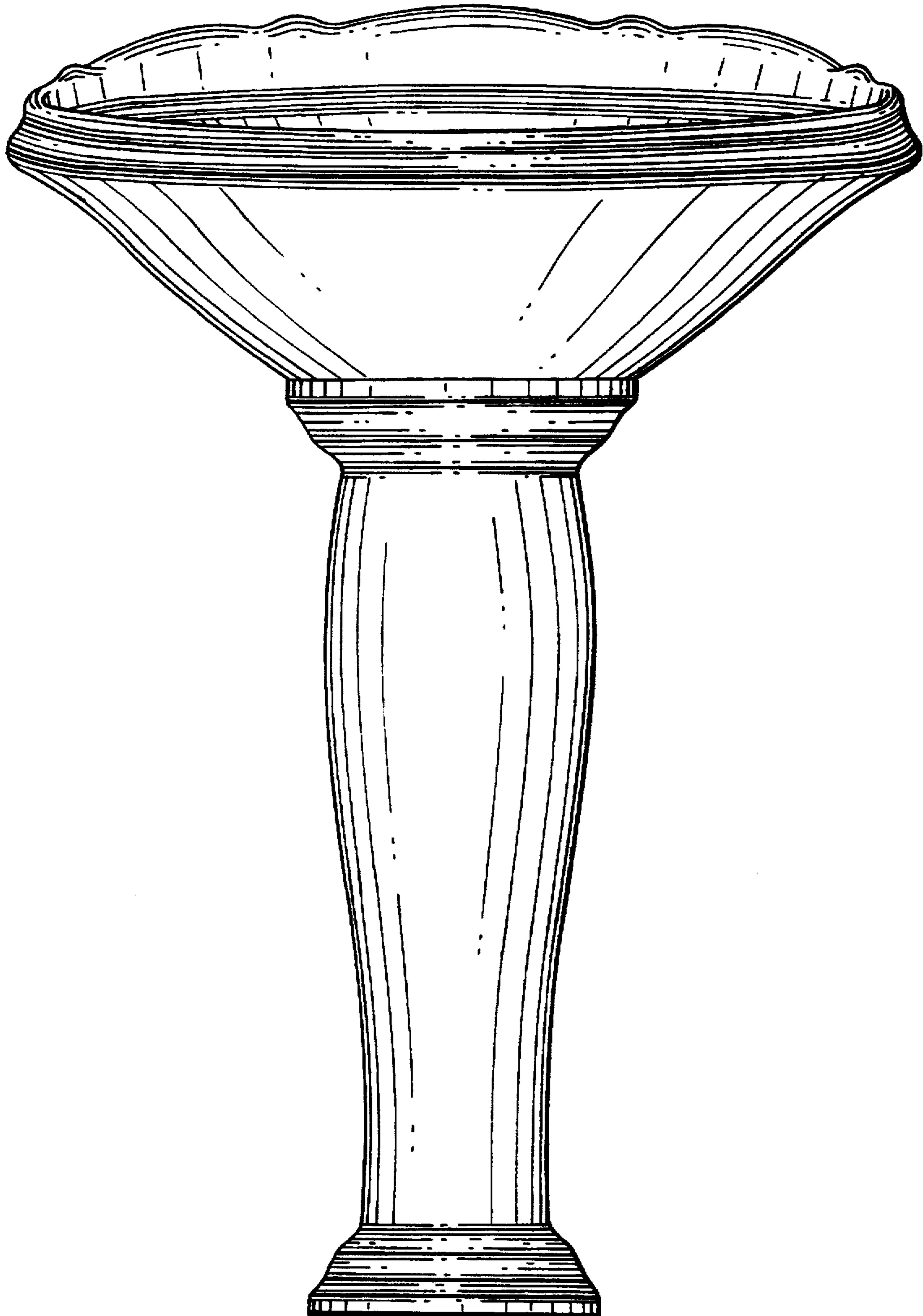
*FIG.2*



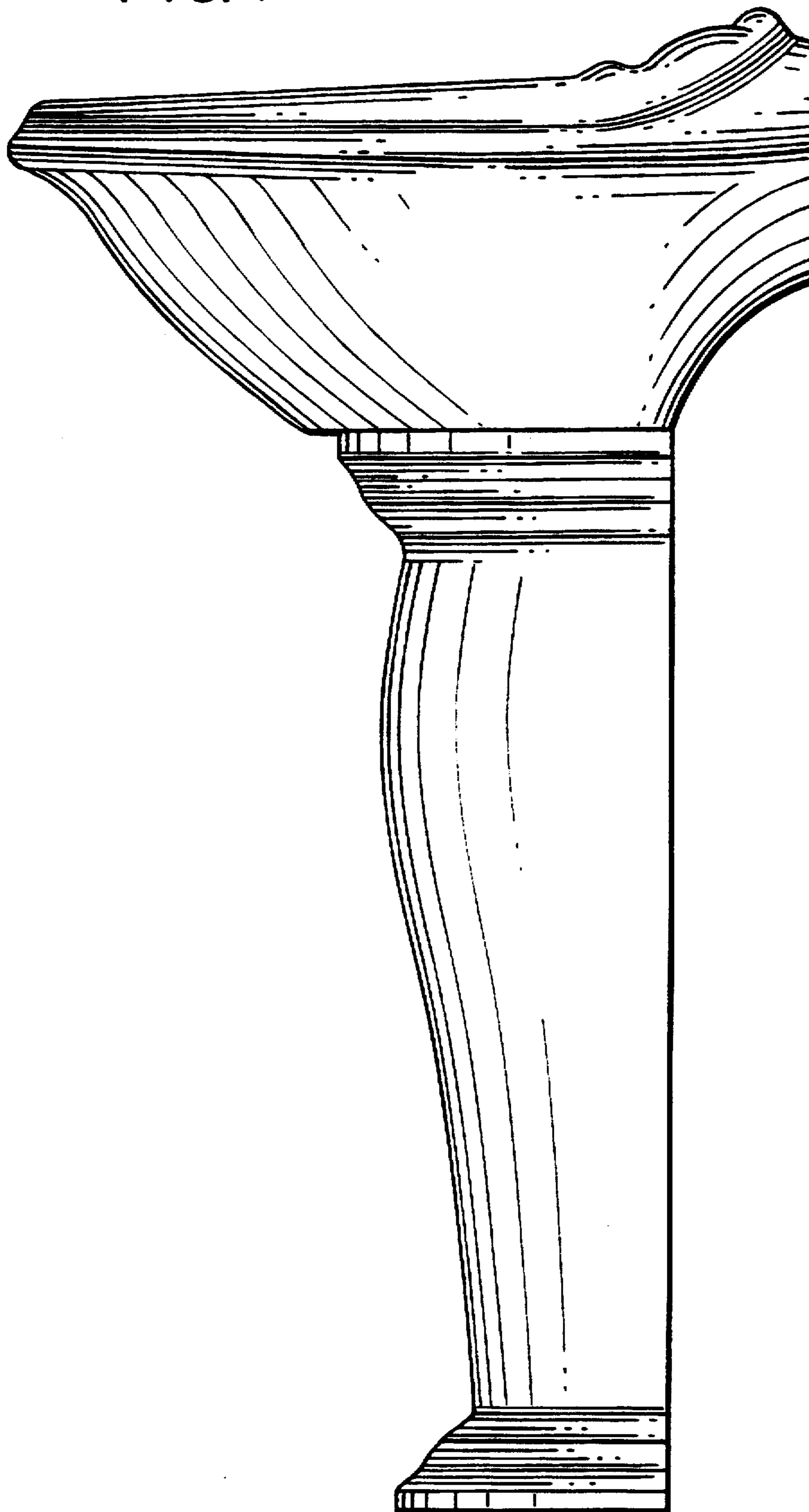
*FIG.6*



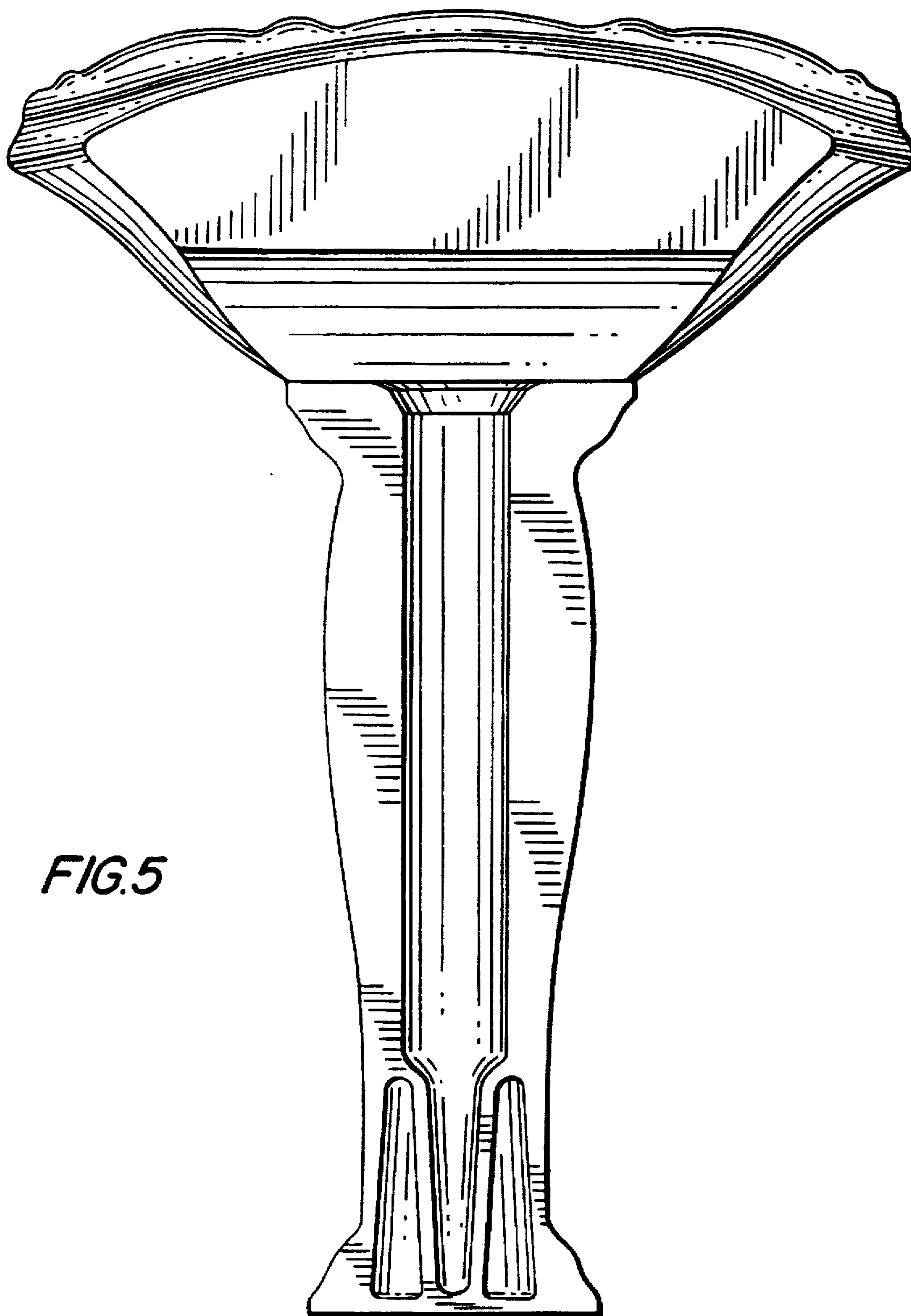
*FIG. 3*



*FIG. 4*







*FIG. 5*