



US00D408503S

United States Patent [19]
Lobermeier

[11] **Patent Number: Des. 408,503**
[45] **Date of Patent: **Apr. 20, 1999**

[54] **SINGLE-HANDLE MIXING FAUCET**
[75] **Inventor: Hans Lobermeier, Menden, Germany**
[73] **Assignee: Friedrich Grohe AG, Hemer, Germany**
[**] **Term: 14 Years**

D. 355,706 2/1995 Cherhen D23/238
D. 367,919 3/1996 Lobermeier D23/238
D. 382,043 8/1997 Wong D23/238
D. 390,918 2/1998 Lobermeier D23/238

Primary Examiner—Louis S. Zarfes
Assistant Examiner—Eric Watterson
Attorney, Agent, or Firm—Herbert Dubno

[21] **Appl. No.: 29/093,815**
[22] **Filed: Sep. 18, 1998**
[30] **Foreign Application Priority Data**

[57] **CLAIM**

The ornamental design for a single-handle mixing faucet, as shown and described.

Apr. 16, 1998 [DE] Germany M 98 03 680

DESCRIPTION

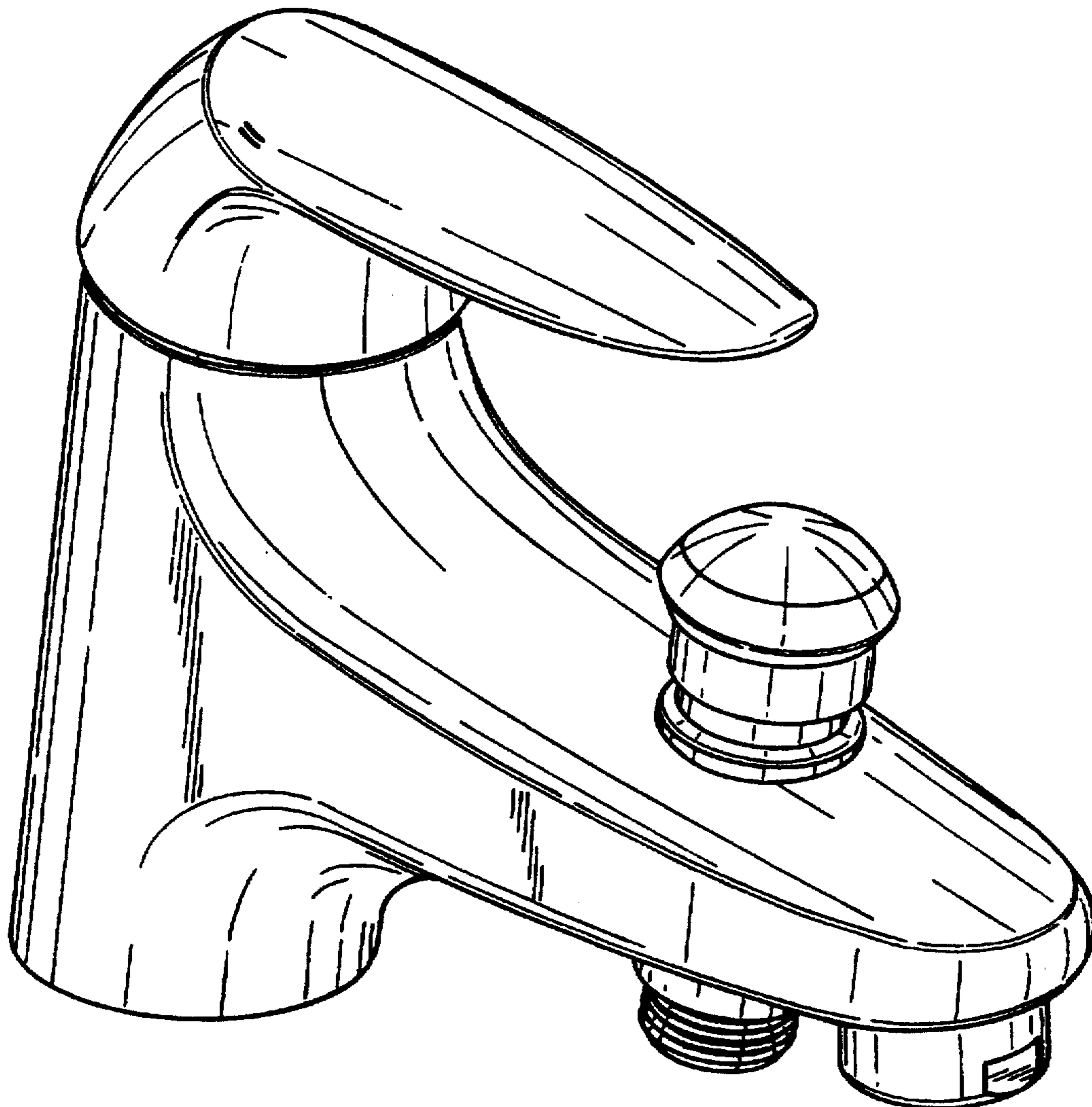
[51] **LOC (6) CL. 23-01**
[52] **U.S. Cl. D23/238**
[58] **Field of Search D23/238-243,
D23/250-257; D8/300-308; 4/675-678;
137/801**

FIG. 1 is a top, front, left-side elevational view of a single-handle mixing faucet showing my new design;
FIG. 2 is a top plan view thereof;
FIG. 3 is a left side elevational view thereof, the right side elevational view being mirror symmetrical thereto;
FIG. 4 is a bottom view thereof;
FIG. 5 is a front view thereof; and,
FIG. 6 is a rear view thereof.

[56] **References Cited**
U.S. PATENT DOCUMENTS

D. 301,162 5/1989 Oberdorfer D23/238

1 Claim, 3 Drawing Sheets



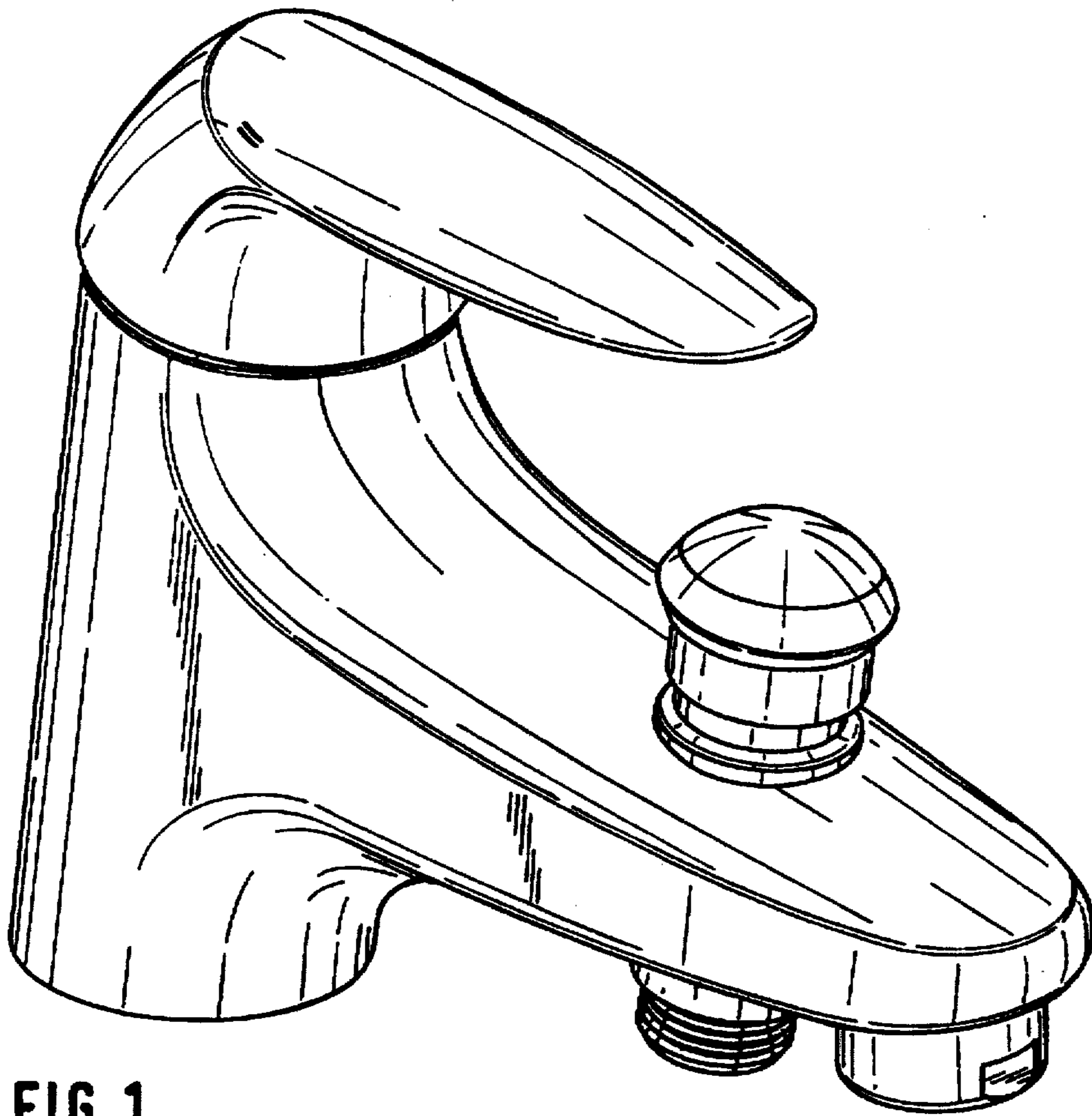
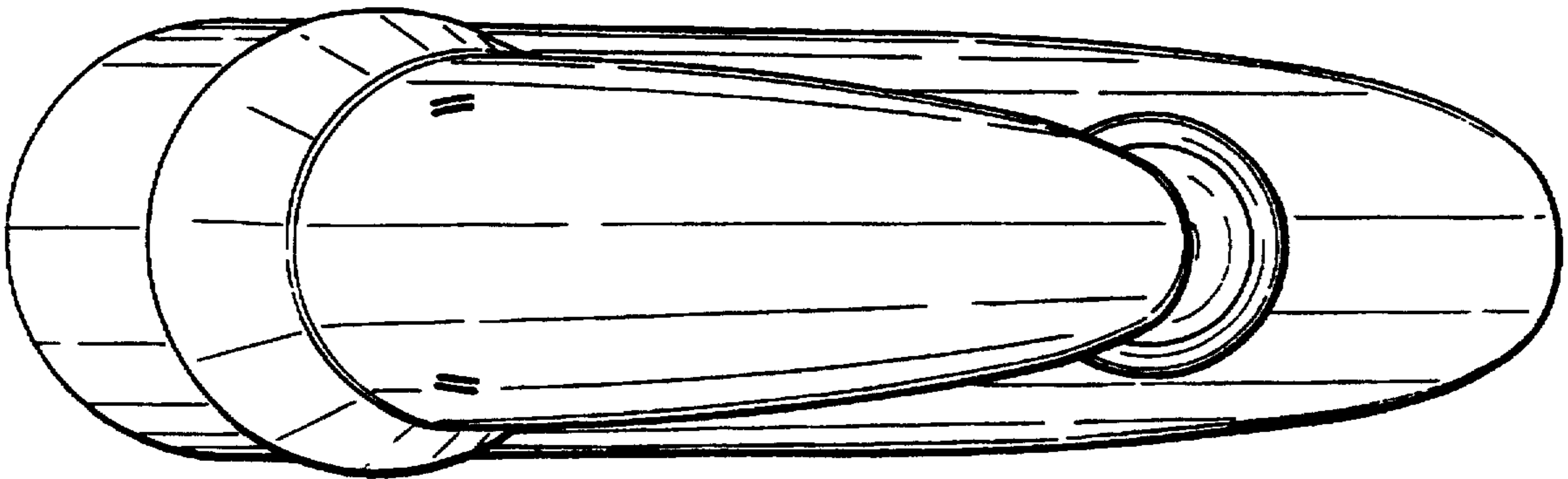


FIG. 1

FIG. 2



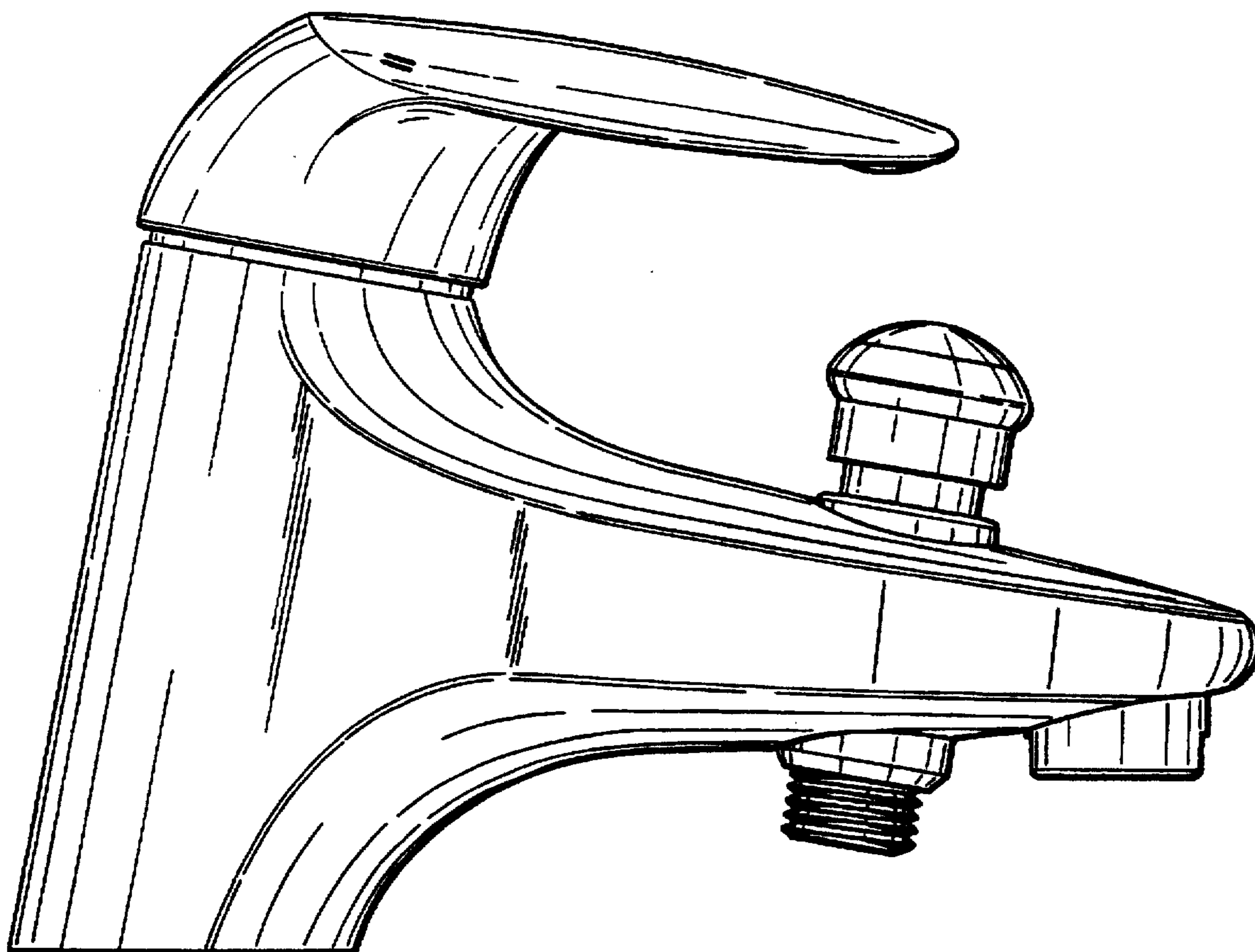
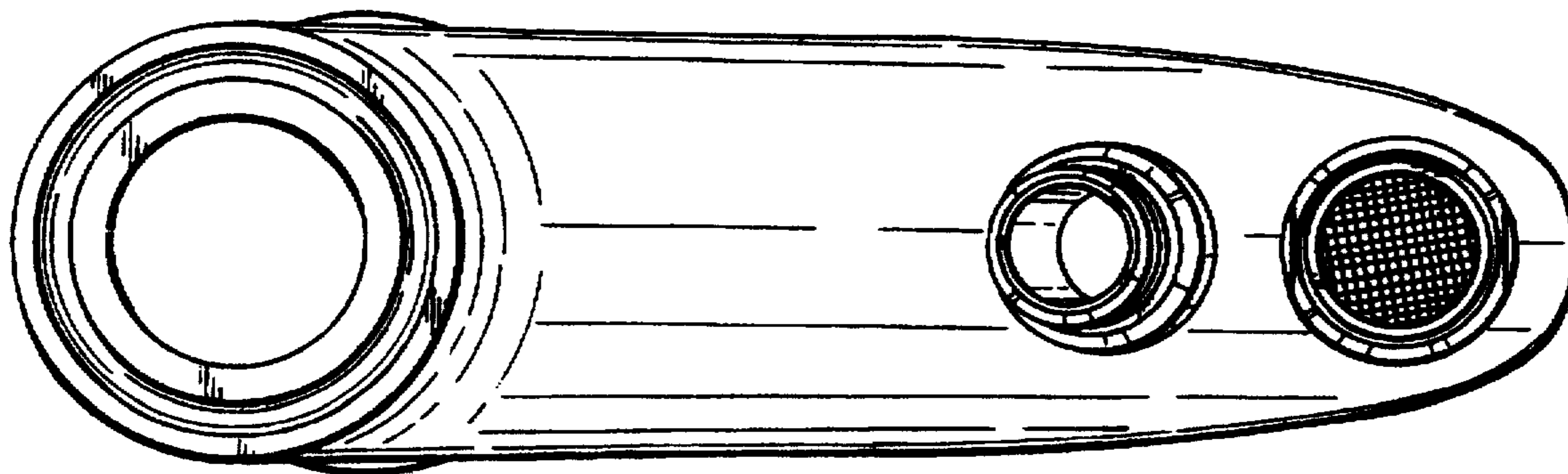


FIG. 3

FIG. 4



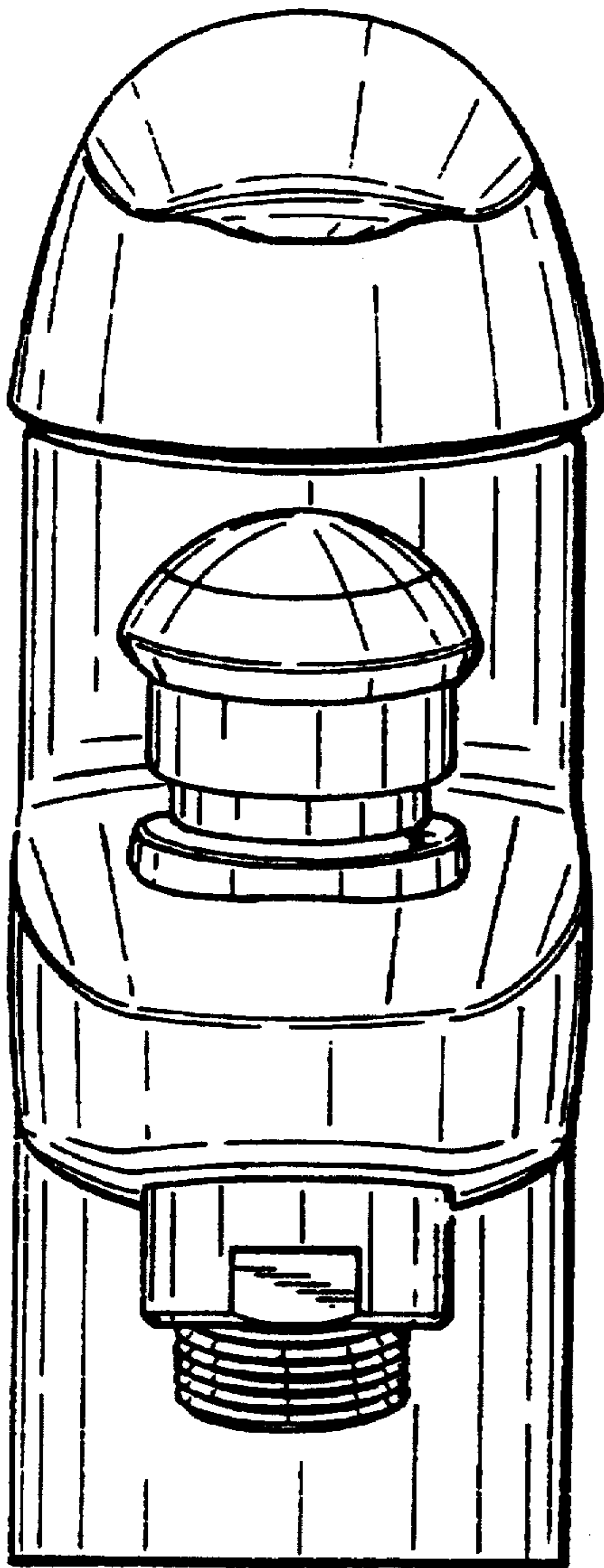


FIG. 5

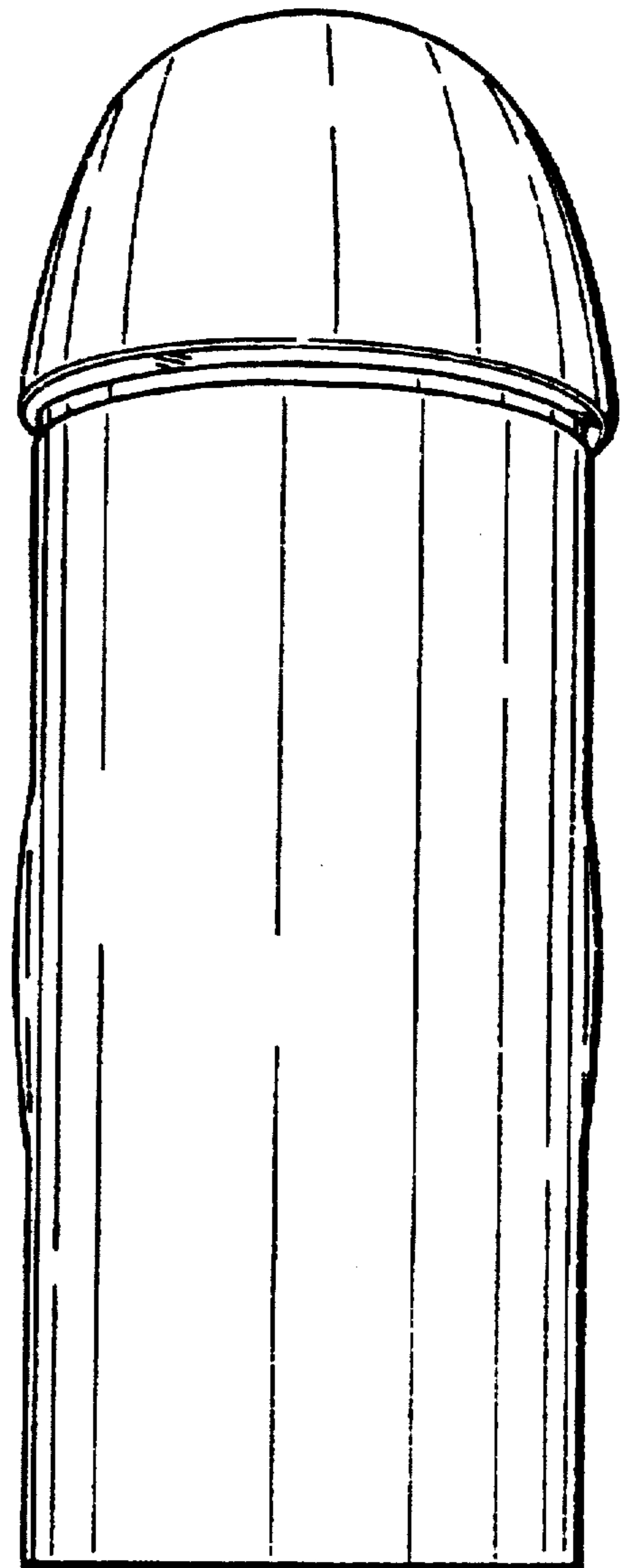


FIG. 6