



US00D408502S

# United States Patent [19]

Lobermeier

[11] Patent Number: **Des. 408,502**

[45] Date of Patent: **\*\*Apr. 20, 1999**

[54] **WALL-MOUNT LEVER-HANDLE SHOWER FAUCET**

[75] Inventor: **Hans Lobermeier, Menden, Germany**

[73] Assignee: **Friedrich Grohe AG, Hemer, Germany**

[\*\*] Term: **14 Years**

[21] Appl. No.: **29/070,348**

[22] Filed: **May 7, 1997**

[30] **Foreign Application Priority Data**

Nov. 19, 1996 [DE] Germany ..... M 96 09 980

[51] LOC (6) CL ..... **23-01**

[52] U.S. CL ..... **D23/238**

[58] Field of Search ..... D23/238-243,  
D23/250-257; 137/801; 4/675-678

[56] **References Cited**

**U.S. PATENT DOCUMENTS**

D. 347,264 5/1994 Gottwald ..... D23/238

D. 347,265 5/1994 Gottwald ..... D23/239  
D. 353,187 12/1994 Formgren ..... D23/241  
D. 353,442 12/1994 Formgren ..... D23/241

*Primary Examiner*—Doris V. Coles  
*Assistant Examiner*—Eric Watterson  
*Attorney, Agent, or Firm*—Herbert Dubno

[57] **CLAIM**

The ornamental design for a wall-mount lever-handle shower faucet, as shown and described.

**DESCRIPTION**

FIG. 1 is a top, front, left-side perspective view of a wall-mount lever-handle shower faucet showing my new design;

FIG. 2 is a right side elevational view thereof, the left side being mirror symmetrical thereto;

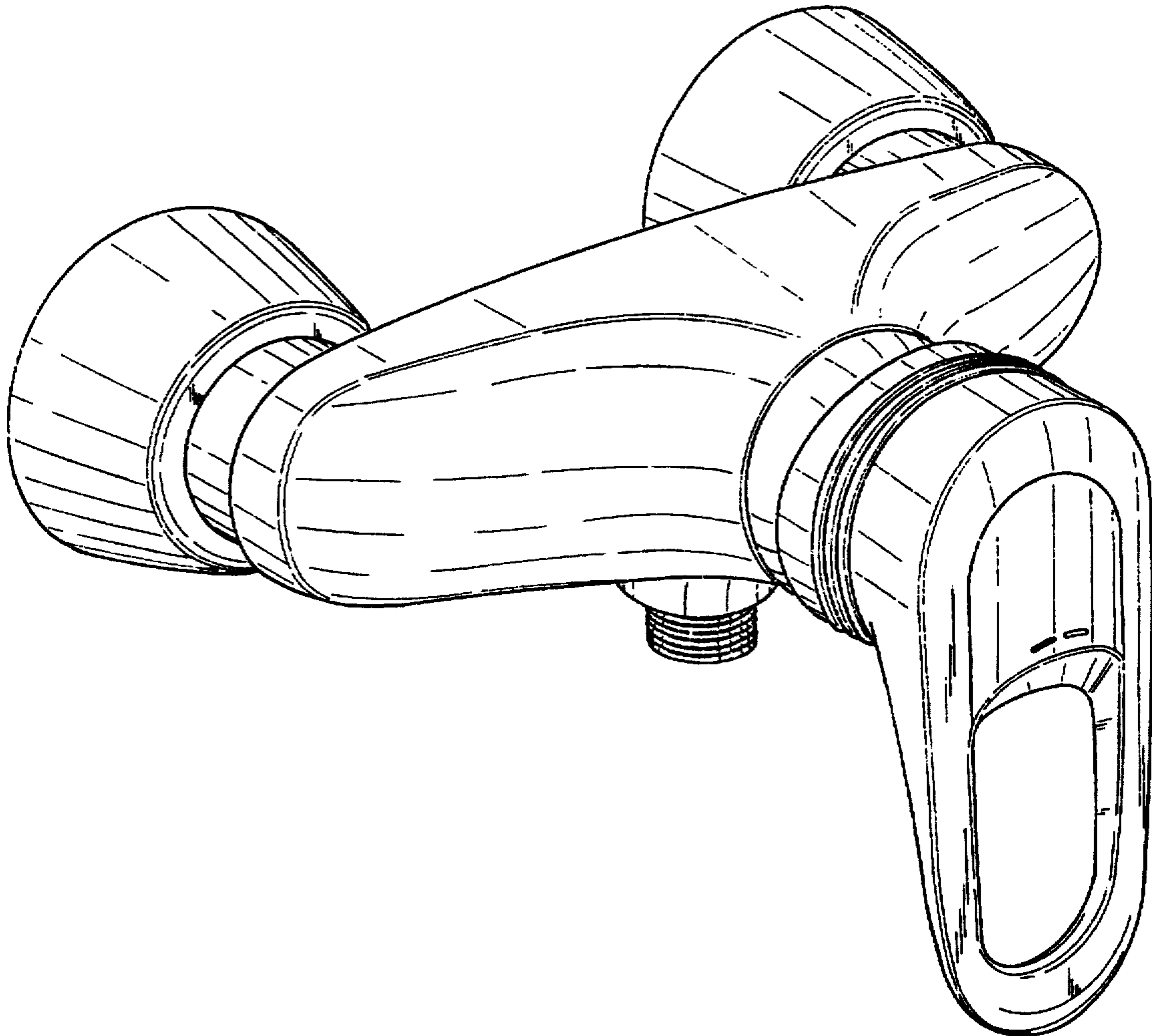
FIG. 3 is a front view thereof;

FIG. 4 is a bottom view thereof;

FIG. 5 is a top view thereof; and,

FIG. 6 is a rear view thereof.

**1 Claim, 3 Drawing Sheets**



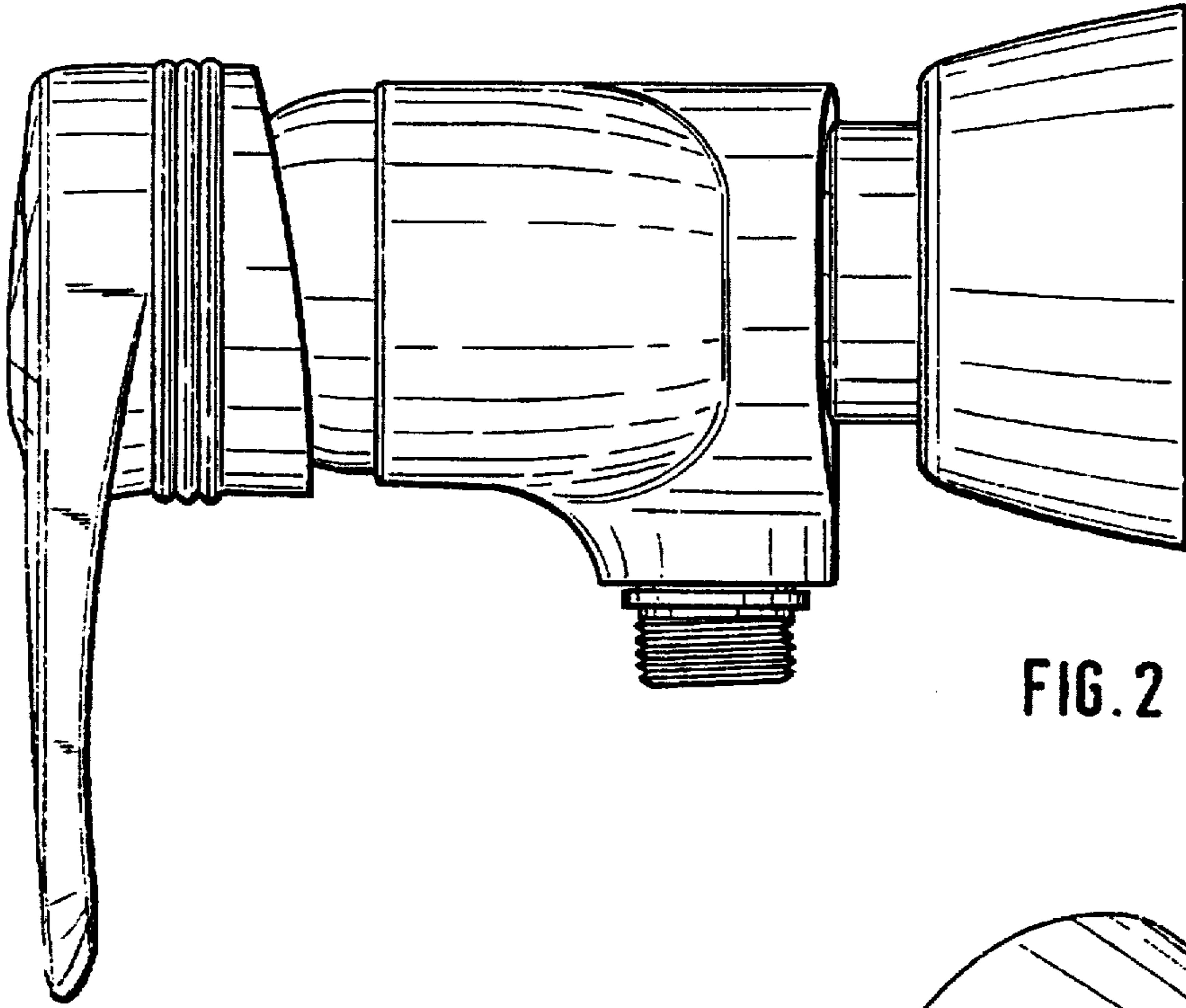


FIG. 2

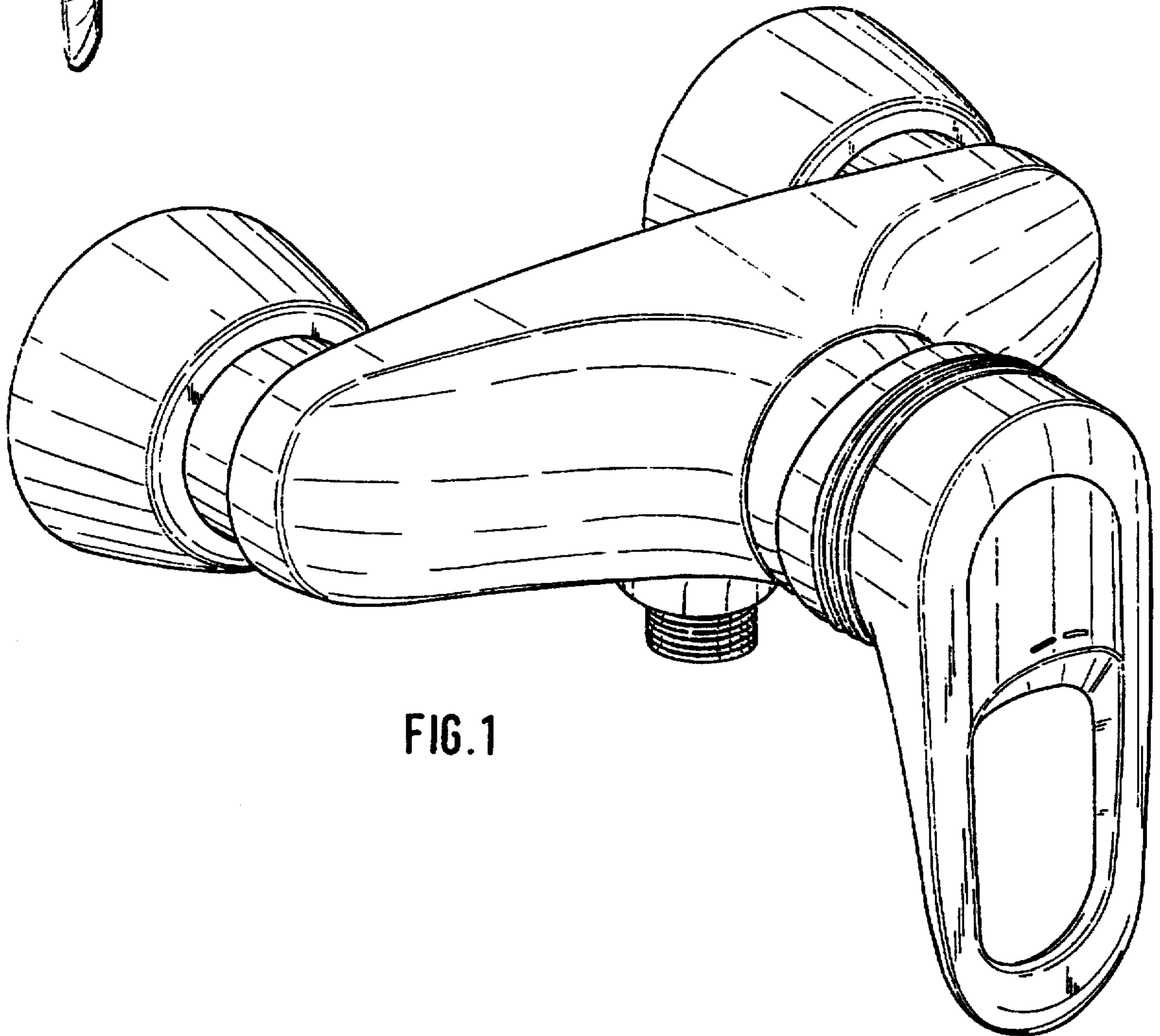


FIG. 1

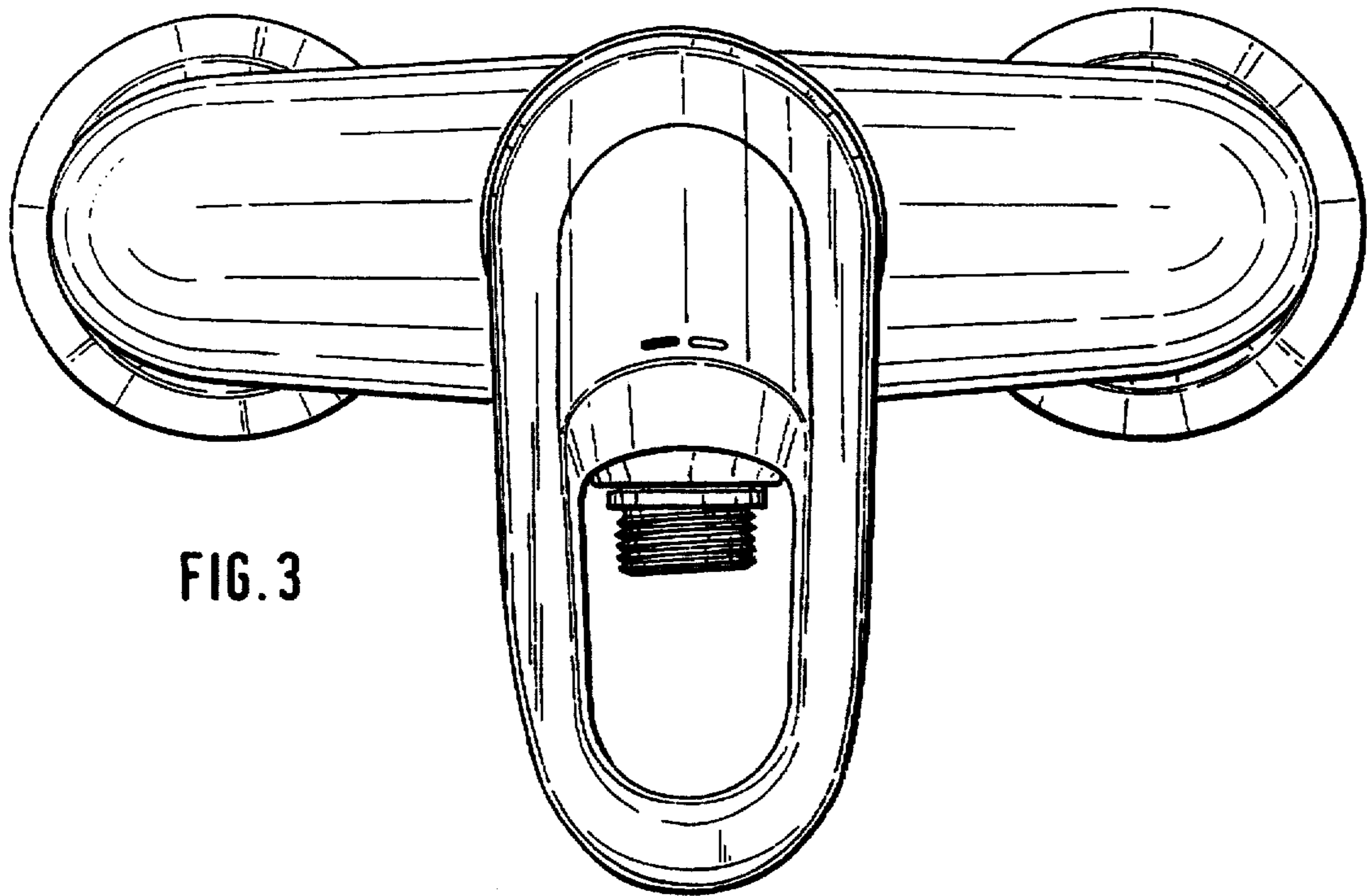


FIG. 3

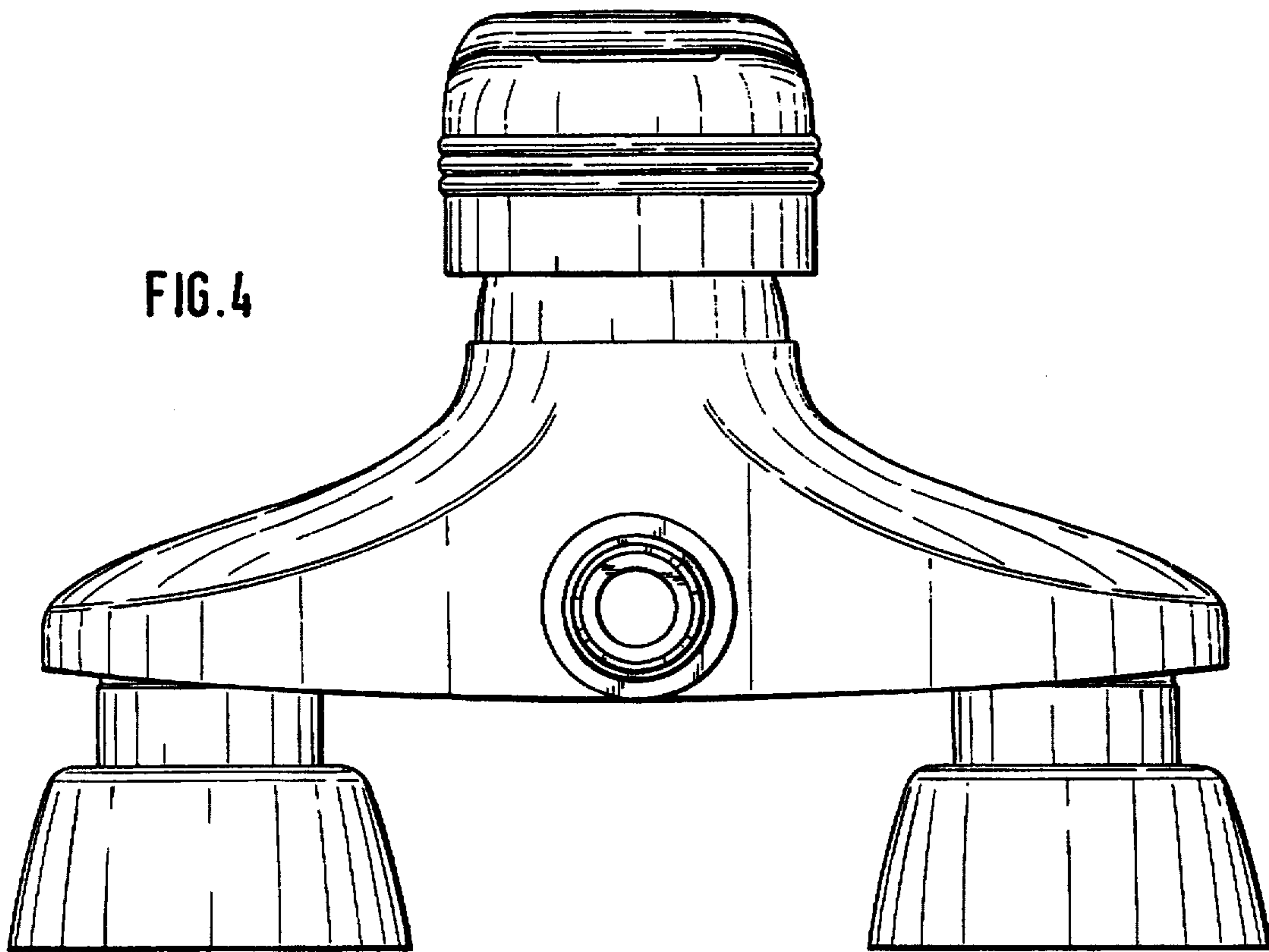


FIG. 4

FIG. 5

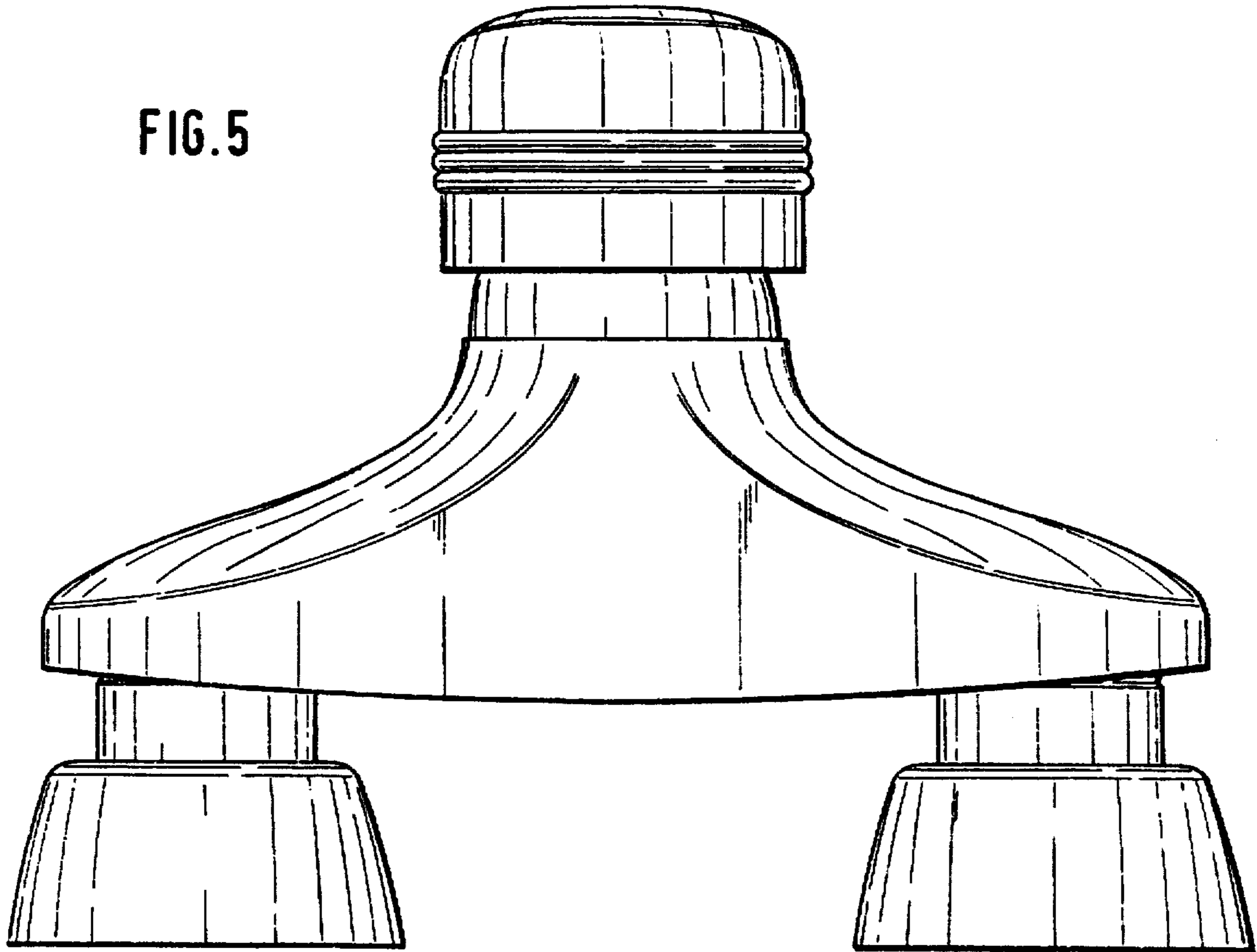


FIG. 6

