

US00D408499S

United States Patent [19]
Marshall

[11] **Patent Number: Des. 408,499**
[45] **Date of Patent: **Apr. 20, 1999**

[54] **SHOWERHEAD**

[75] **Inventor: Christopher Marshall, Cumming, Ga.**

[73] **Assignee: Masco Corporation of Indiana,
Indianapolis, Ind.**

[**] **Term: 14 Years**

[21] **Appl. No.: 29/086,258**

[22] **Filed: Apr. 9, 1998**

[51] **LOC (6) Cl. 23-01**

[52] **U.S. Cl. D23/229**

[58] **Field of Search D23/213, 214,
D23/223, 226, 229, 230; 239/459-462,
587.1**

- D. 355,951 2/1995 Ran .
- D. 363,114 10/1995 Andrus .
- D. 364,915 12/1995 Huang D23/213
- D. 366,307 1/1996 Doughty et al. D23/229
- D. 367,696 3/1996 Andrus .
- D. 368,761 4/1996 Andrus .
- D. 369,203 4/1996 Andrus .
- D. 369,204 4/1996 Andrus .
- D. 369,205 4/1996 Andrus .
- D. 377,965 2/1997 Andrus .
- D. 393,047 3/1998 Andrus et al. .
- 3,180,579 4/1965 Tomaso .
- 3,468,483 9/1969 Parkison .
- 4,203,550 5/1980 On .
- 4,303,201 12/1981 Elkins et al. .
- 4,588,130 5/1986 Trenary et al. .
- 4,629,125 12/1986 Liu .
- 5,297,735 3/1994 Heimann et al. .

OTHER PUBLICATIONS

Advertisement "Great Vibrations", Hardware Age, Mar. 1997.

Primary Examiner—Alan P. Douglas
Assistant Examiner—Robin V. Taylor
Attorney, Agent, or Firm—Myron B. Kapustij; Leon E. Redman

[56] **References Cited**

U.S. PATENT DOCUMENTS

- D. 113,439 2/1939 Reinecke .
- D. 118,419 1/1940 Rockwood .
- D. 208,526 9/1967 Delamater .
- D. 245,859 9/1977 Grube .
- D. 261,300 10/1981 Klose .
- D. 261,417 10/1981 Klose .
- D. 267,582 1/1983 Mackay et al. .
- D. 268,359 3/1983 Klose .
- D. 269,540 6/1983 Larsson .
- D. 290,497 6/1987 Huen D23/229
- D. 295,437 4/1988 Fabian .
- D. 299,050 12/1988 Gonzalez D23/229
- D. 313,456 1/1991 Presman .
- D. 313,833 1/1991 Presman .
- D. 314,608 2/1991 Presman .
- D. 315,191 3/1991 Mikol .
- D. 320,064 9/1991 Presman .
- D. 323,545 1/1992 Ward D23/213
- D. 327,115 6/1992 Rogers .
- D. 327,729 7/1992 Rogers .
- D. 332,303 1/1993 Klose .
- D. 333,338 2/1993 Klose .
- D. 334,046 3/1993 Klose .
- D. 334,048 3/1993 Ben-Zur .
- D. 337,810 7/1993 Bengtson et al. .
- D. 339,627 9/1993 Klose .

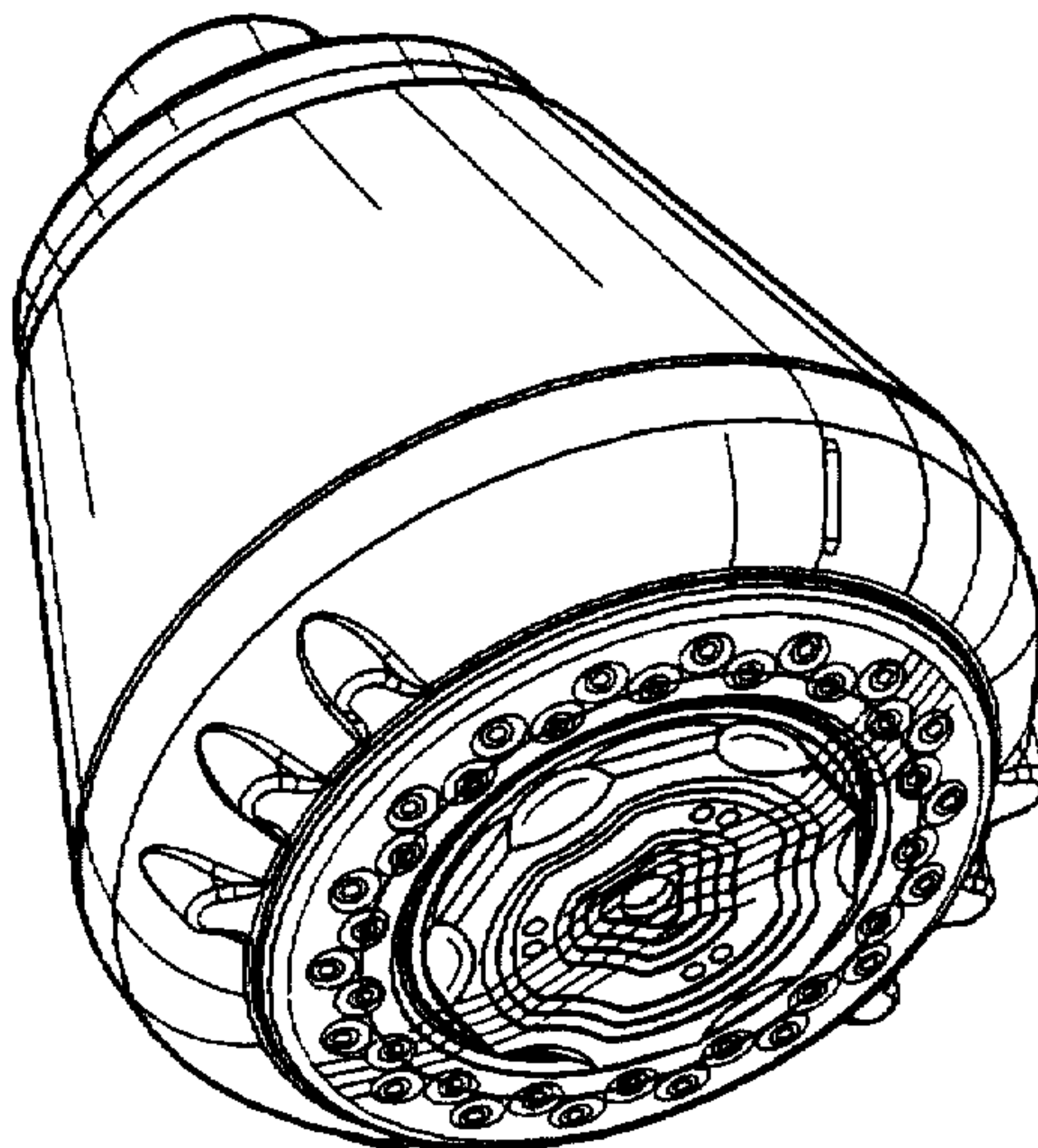
[57] **CLAIM**

The ornamental design for a showerhead, as shown and described.

DESCRIPTION

FIG. 1 is a front perspective view of a showerhead showing my new design;
FIG. 2 is a rear perspective view thereof;
FIG. 3 is a front elevational view thereof;
FIG. 4 is a side elevational view thereof, the opposite side being a mirror image;
FIG. 5 is a rear elevational view thereof; and,
FIG. 6 is a side elevational view similar to FIG. 4 except with the showerhead rotated 90° relative to its position in FIG. 4, the other side being a mirror image.

1 Claim, 2 Drawing Sheets



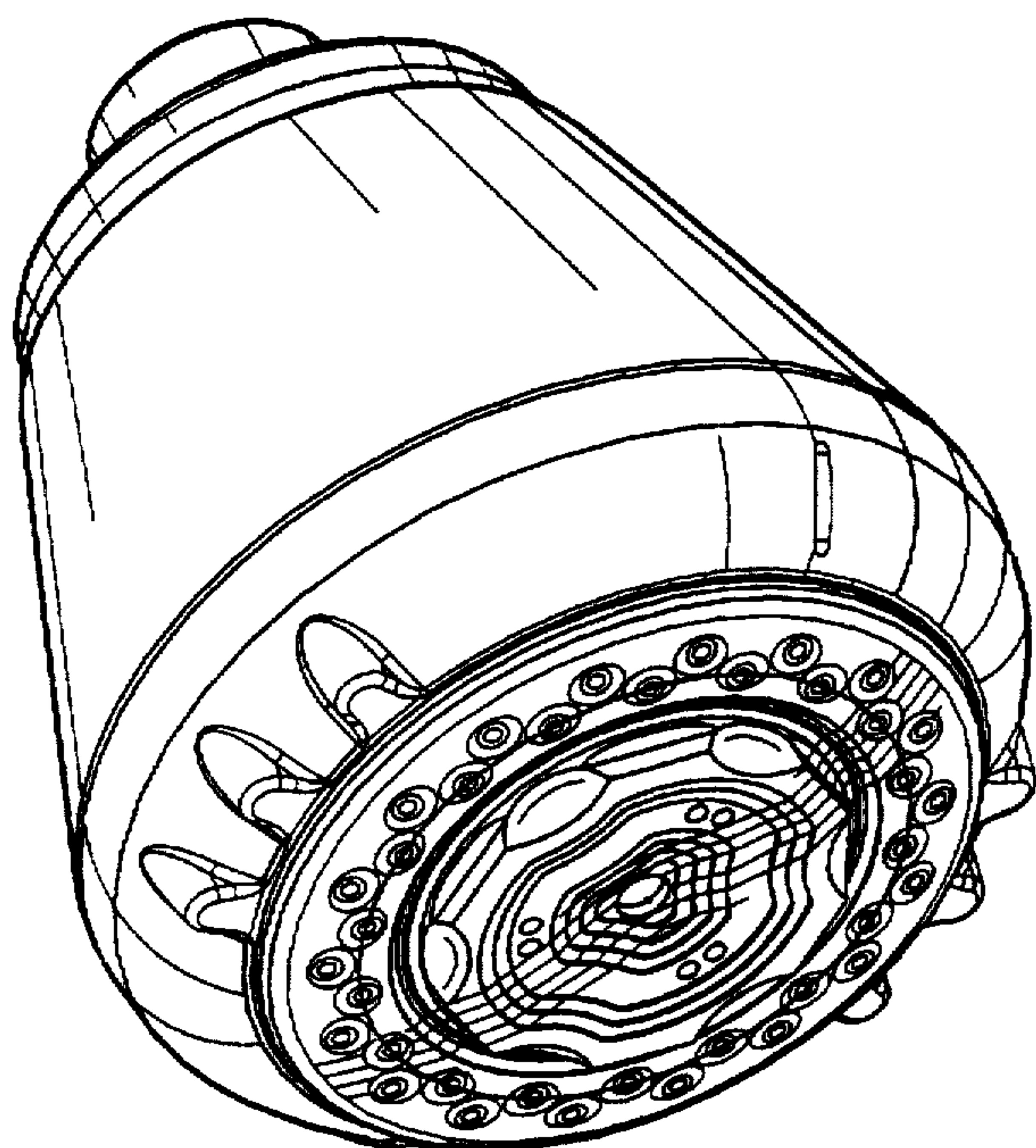


Fig-1

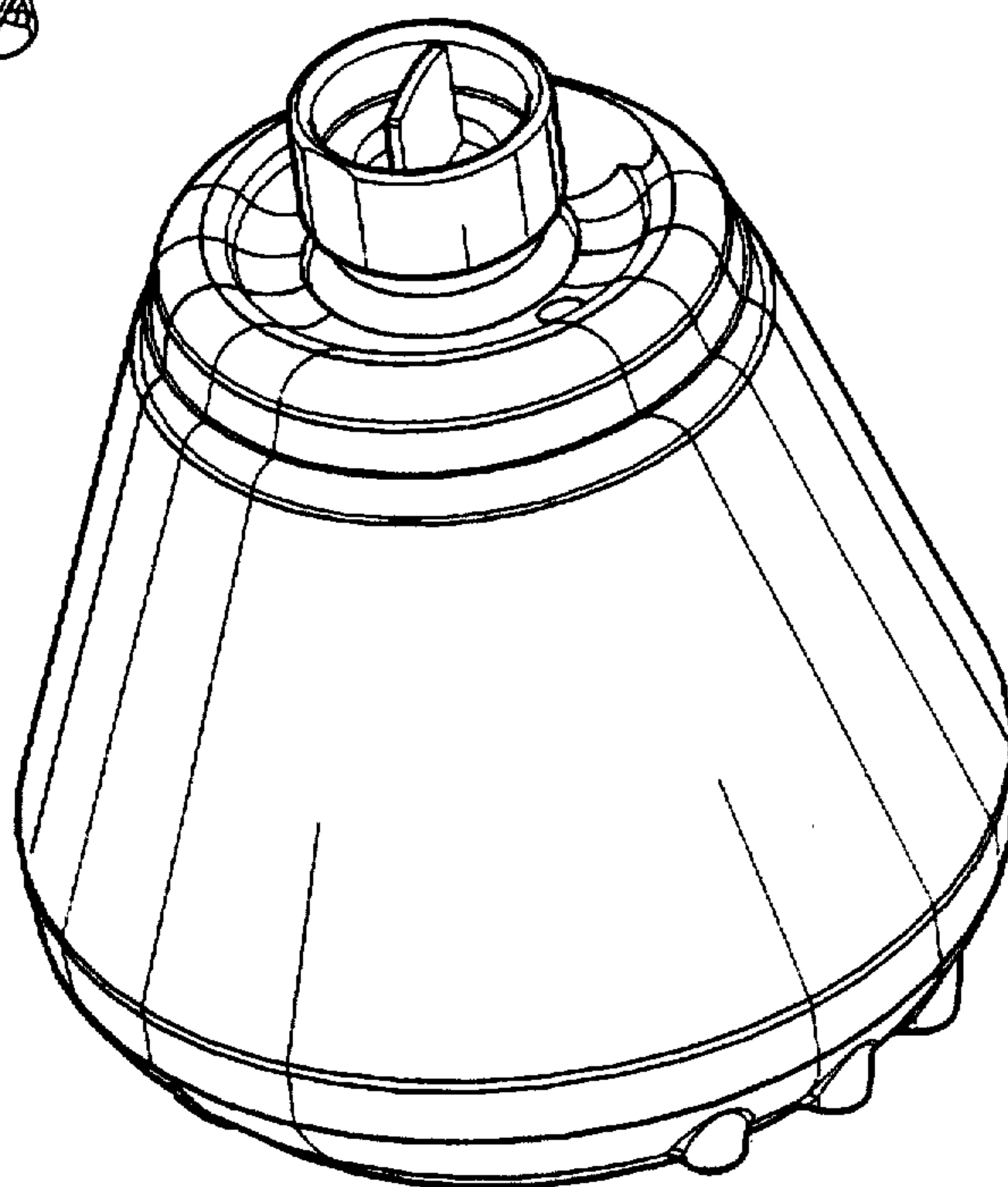


Fig-2

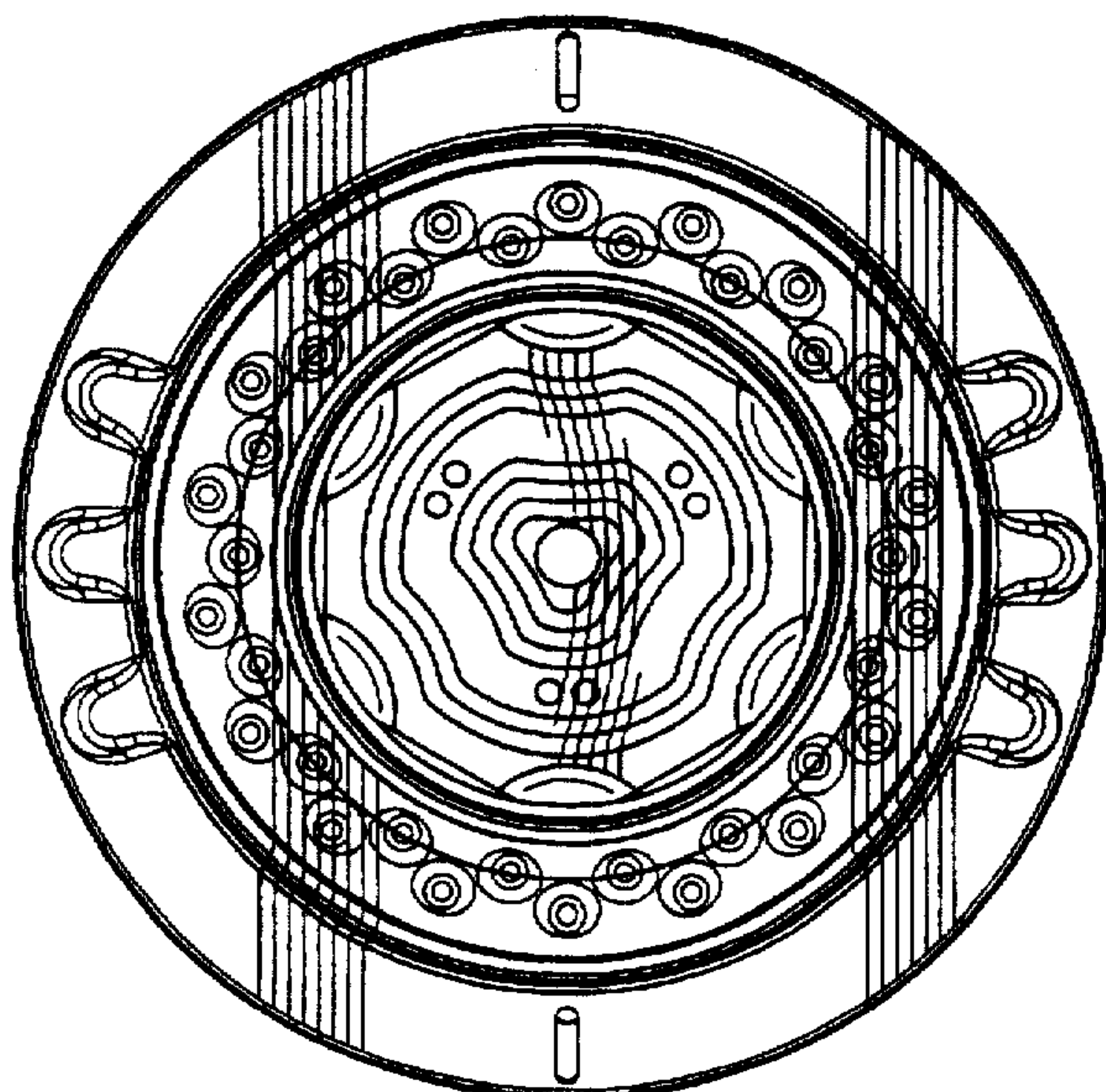


Fig-3

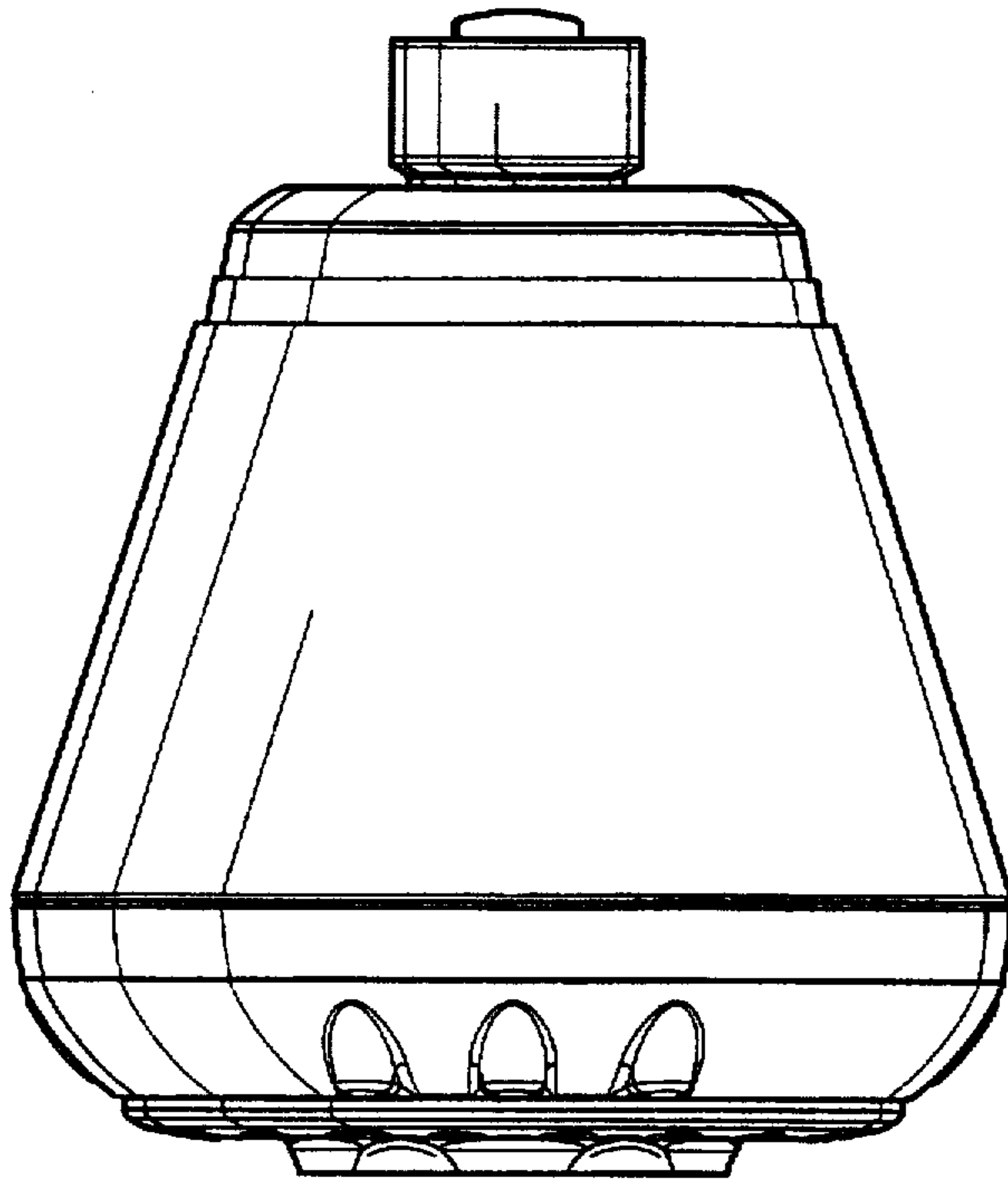


Fig-4

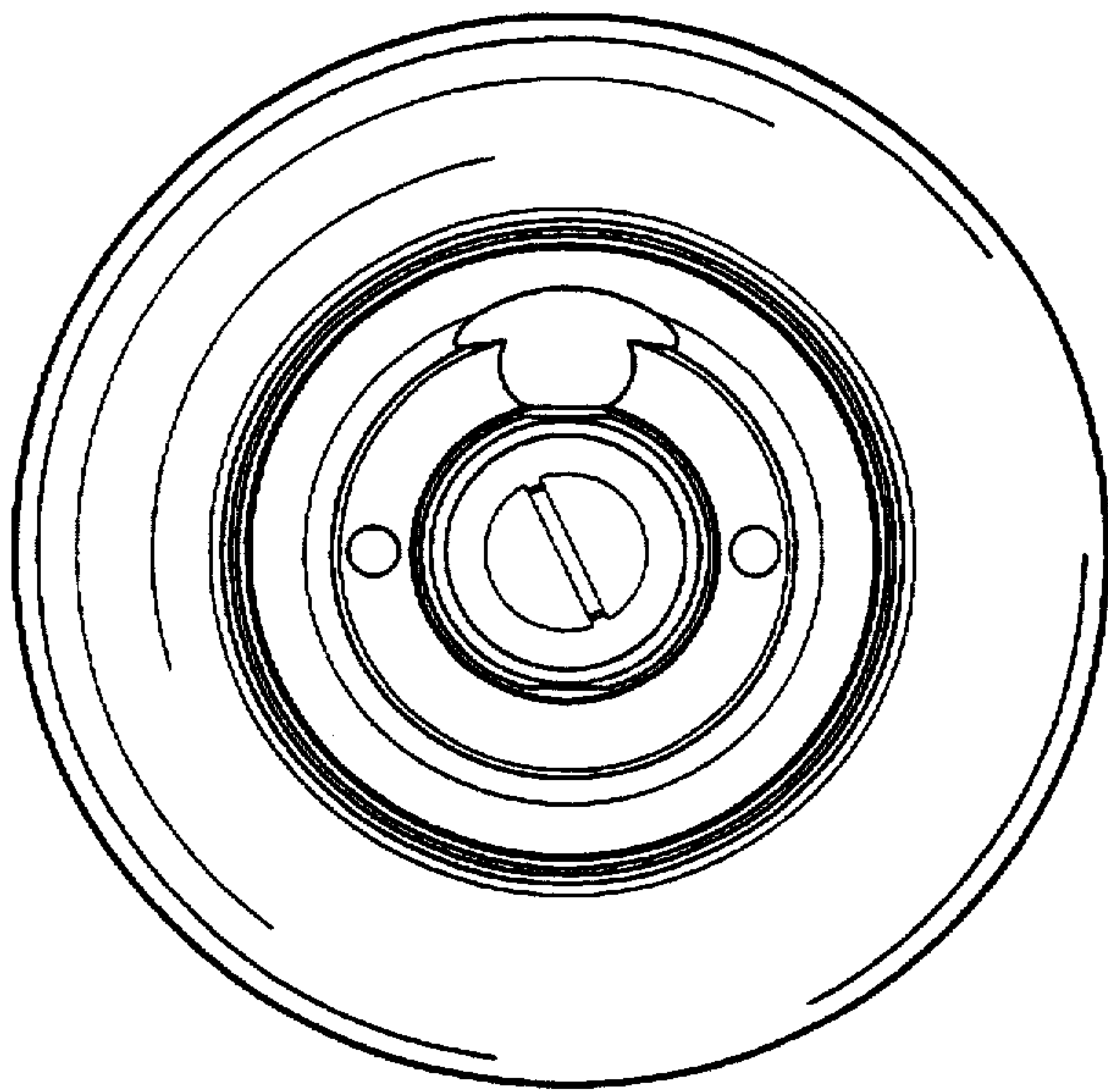


Fig-5

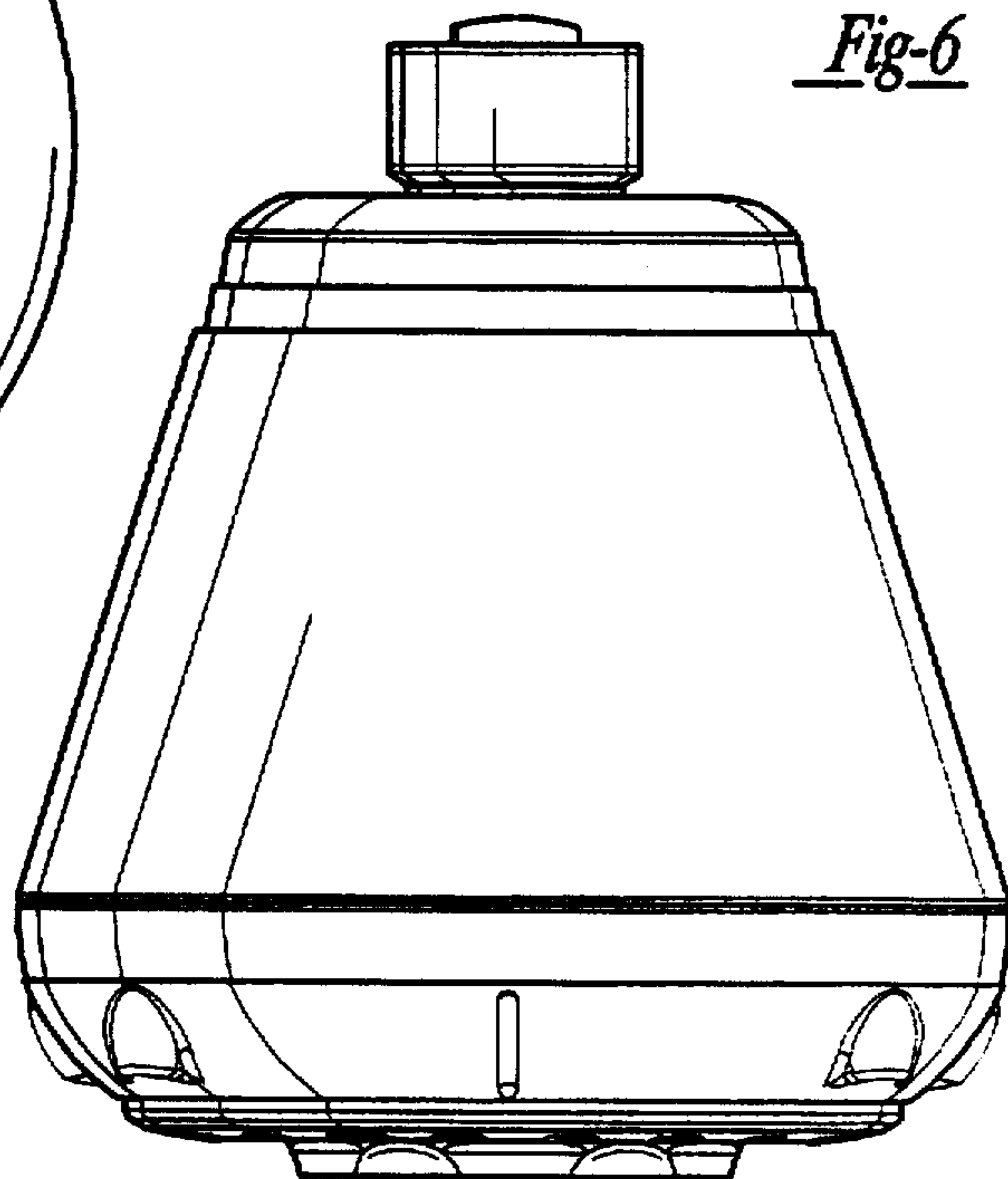


Fig-6