



US00D408498S

United States Patent [19]
Wang

[11] **Patent Number: Des. 408,498**
[45] **Date of Patent: ** Apr. 20, 1999**

[54] **WATER SPRAY GUN**

[75] **Inventor: King-Yuan Wang, Changhua Hsien, Taiwan**

[73] **Assignee: Yuan Mei Corp., Changhua Hsien, Taiwan**

[**] **Term: 14 Years**

[21] **Appl. No.: 29/088,979**

[22] **Filed: Jun. 4, 1998**

[51] **LOC (6) Cl. 23-01**

[52] **U.S. Cl. D23/226**

[58] **Field of Search D23/213, 223, D23/226, 229, 230; 239/394, 525-528**

[56] **References Cited**

U.S. PATENT DOCUMENTS

D. 373,813 9/1996 Guo D23/223

D. 387,128 12/1997 Wang D23/223
5,323,968 6/1994 Klingston et al. 239/526
5,806,770 9/1998 Wang 239/526

Primary Examiner—Alan P. Douglas
Assistant Examiner—Robin V. Taylor
Attorney, Agent, or Firm—Bacon & Thomas, PLLC

[57] **CLAIM**

The ornamental design for water spray gun, as shown and described.

DESCRIPTION

FIG. 1 is a perspective view of water spray gun showing my new design.

FIG. 2 is a front view thereof;

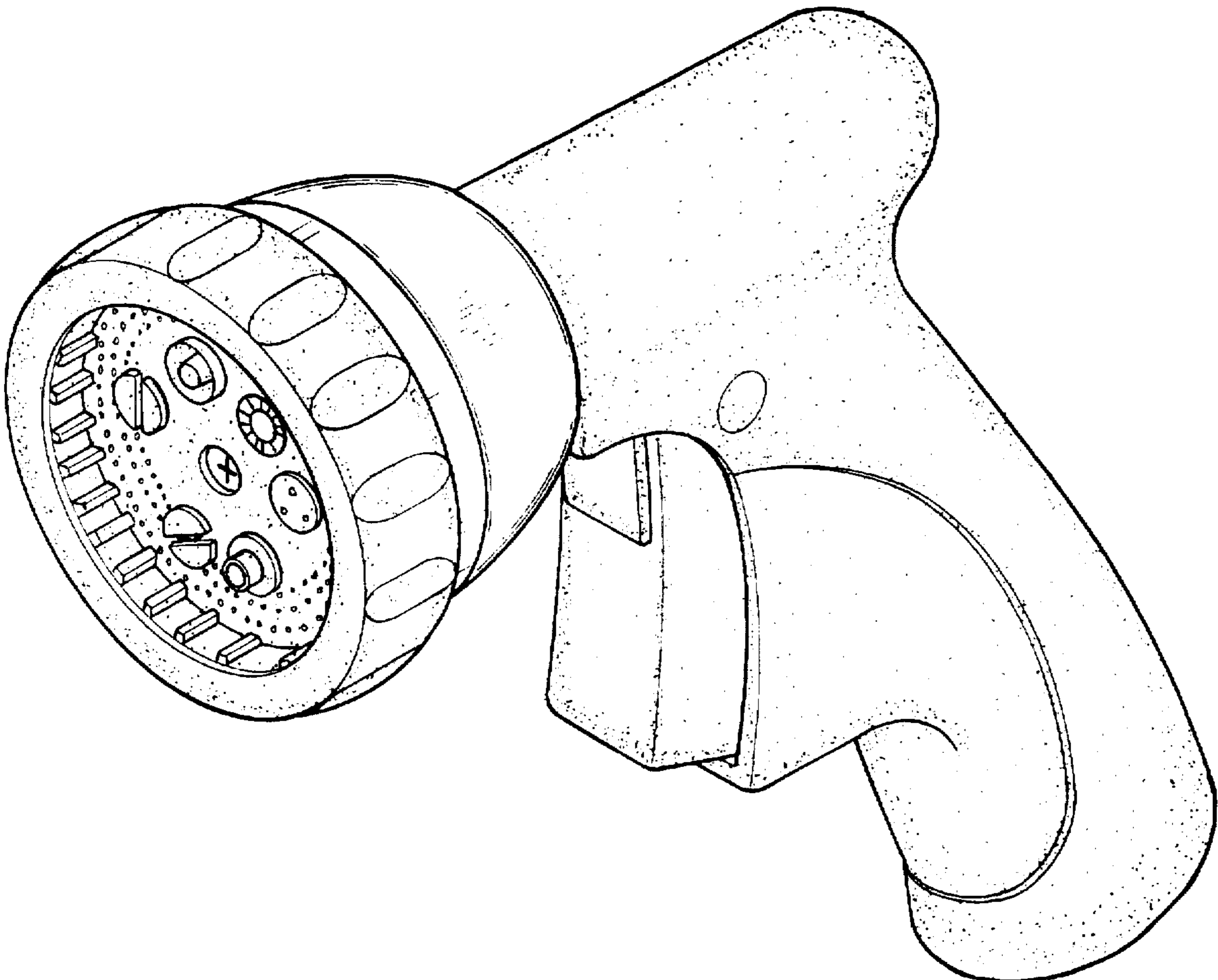
FIG. 3 is a rear view thereof;

FIG. 4 is a left side view thereof, the right side is identical;

FIG. 5 is a top view thereof; and,

FIG. 6 is a bottom view thereof.

1 Claim, 4 Drawing Sheets



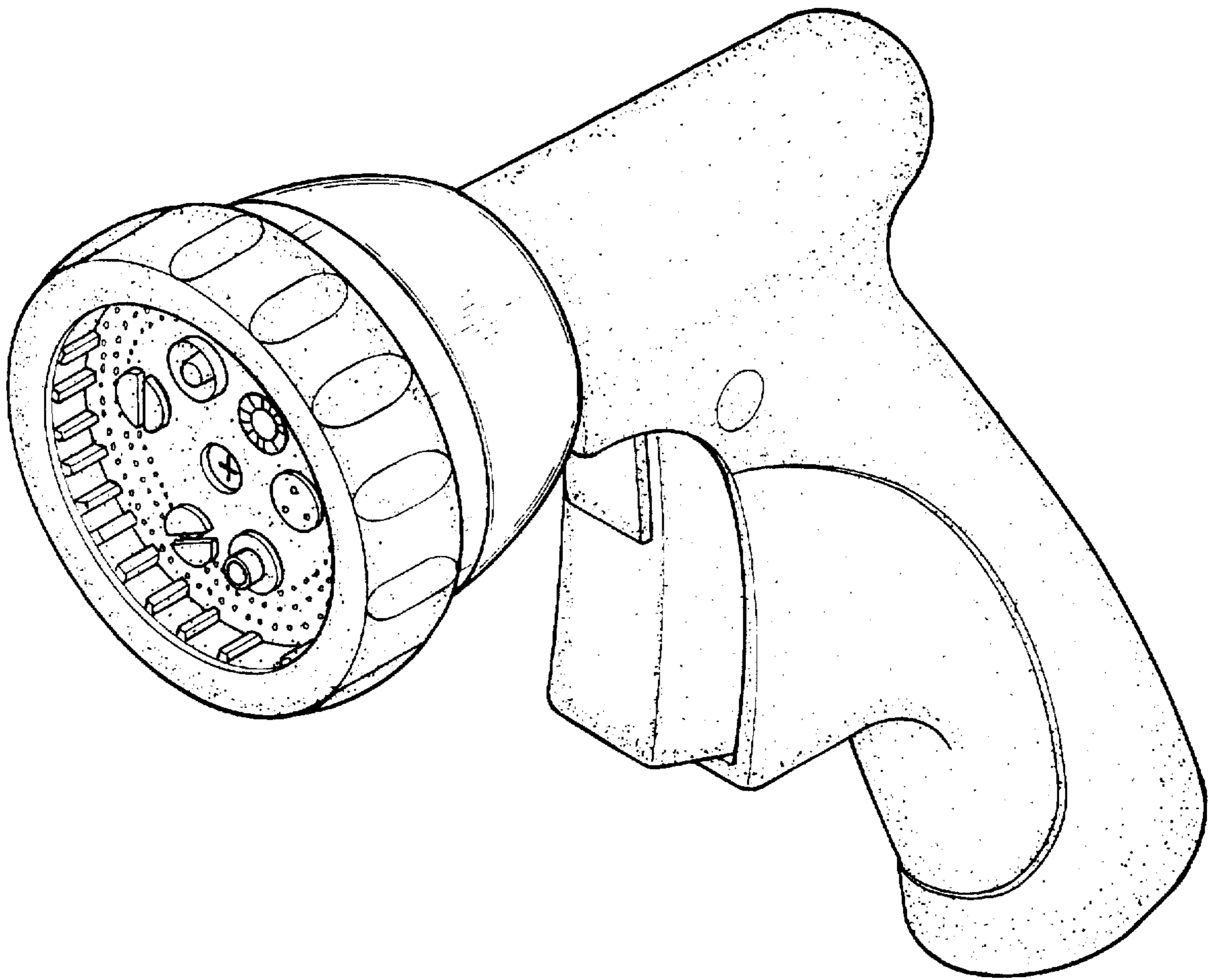


FIG. 1

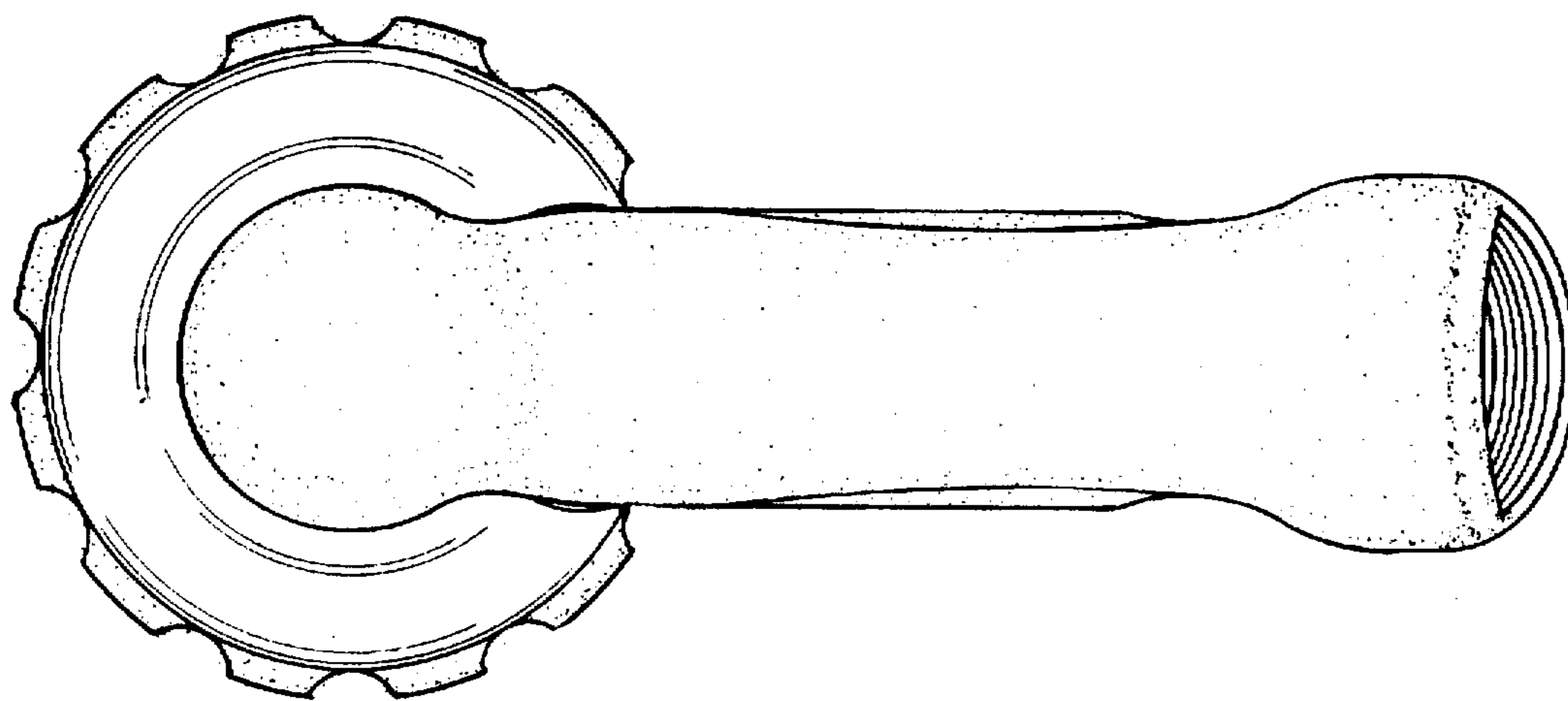


FIG. 3

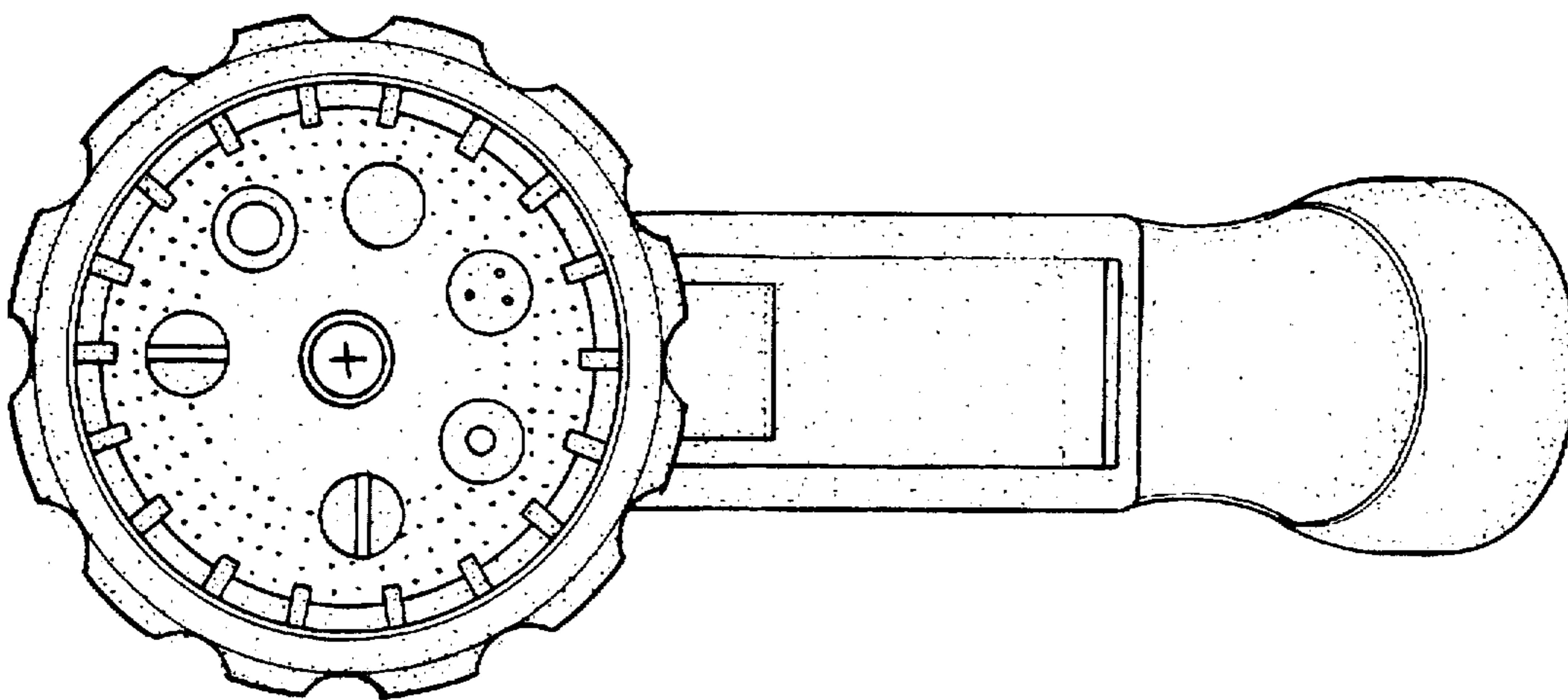


FIG. 2

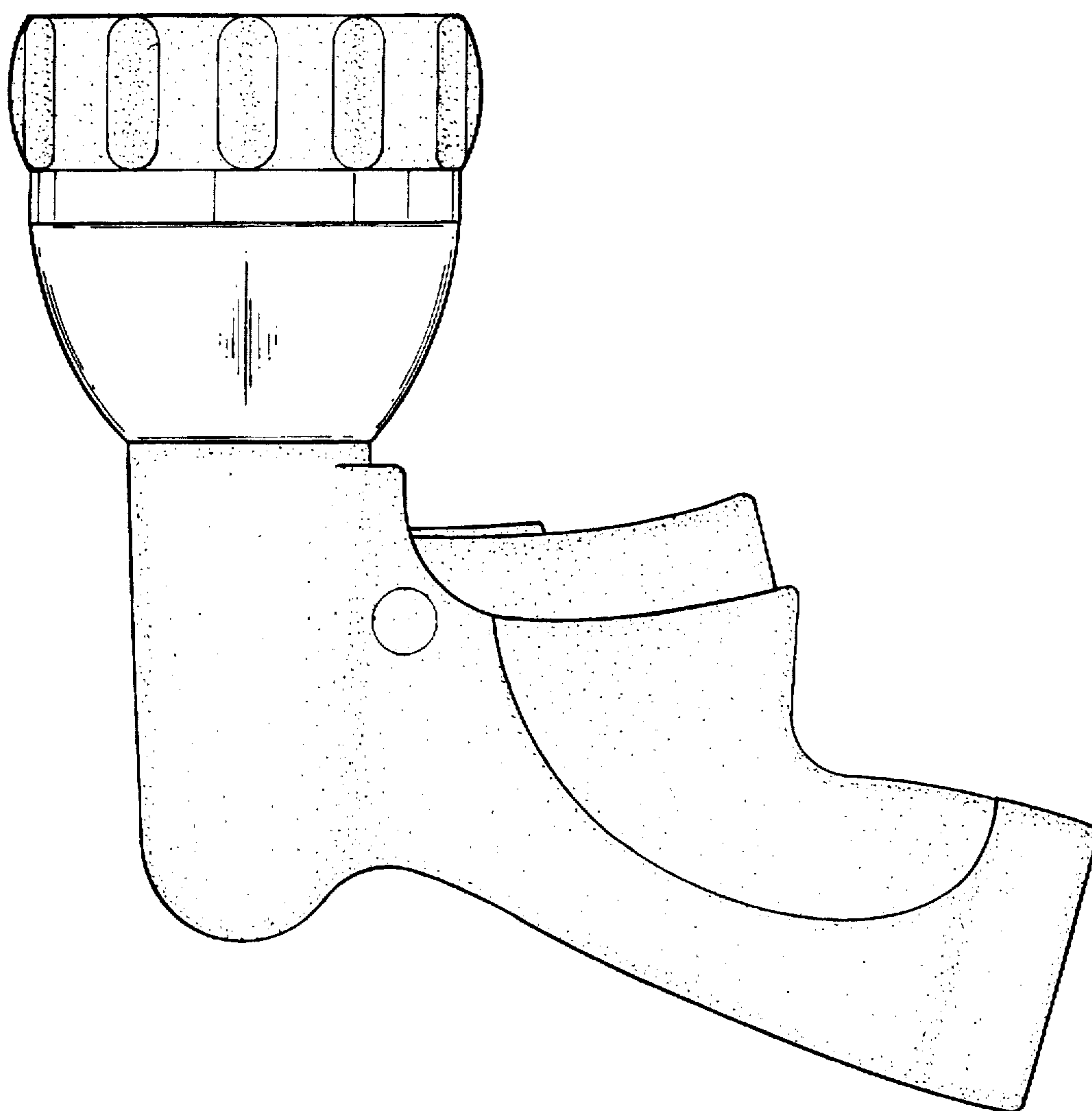


FIG. 4

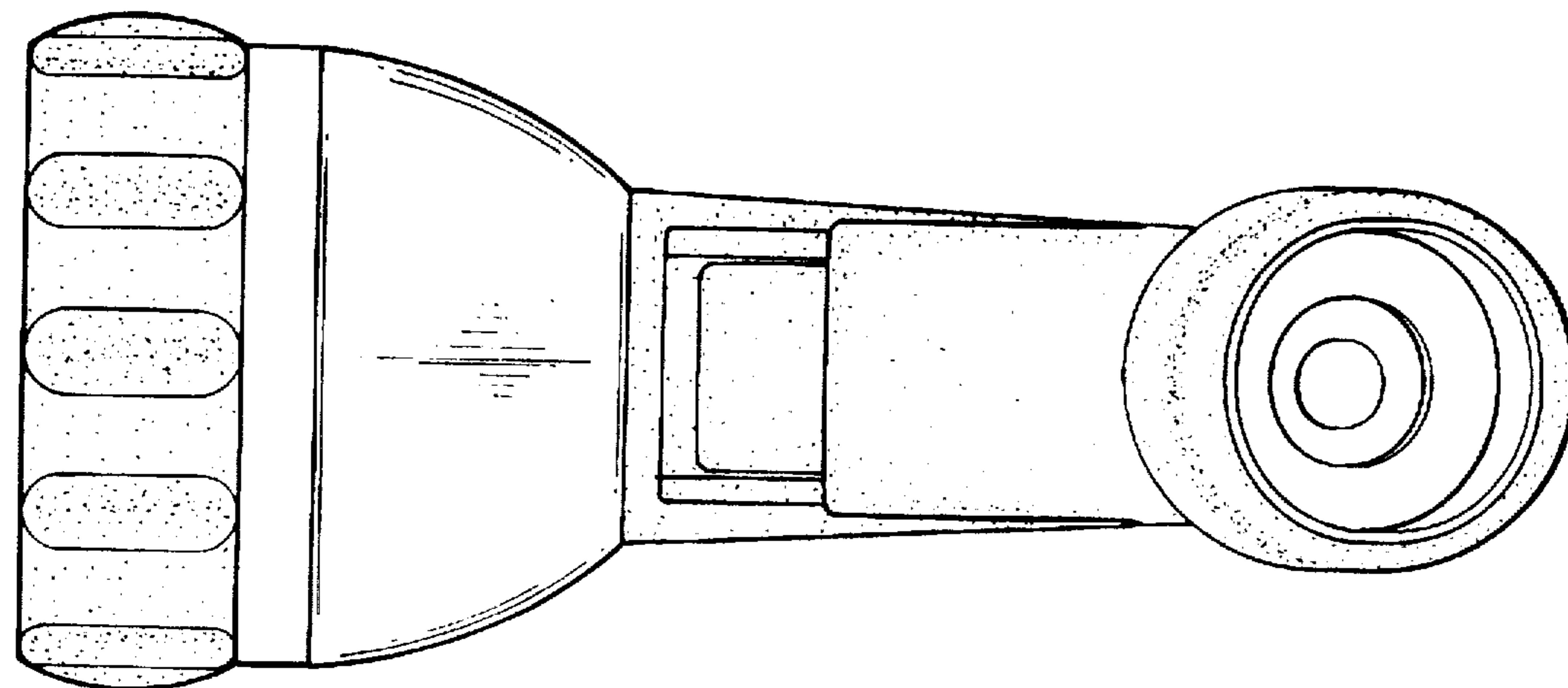


FIG. 6

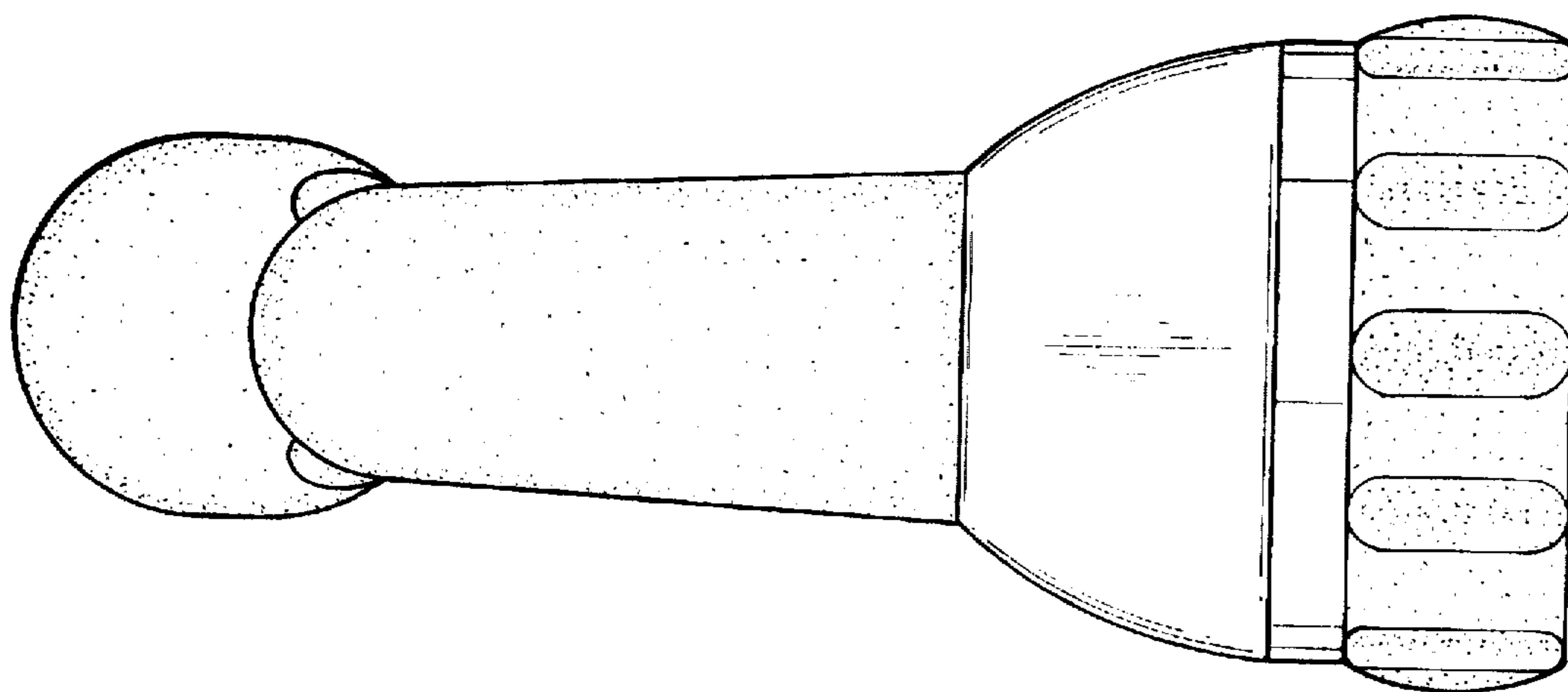


FIG. 5