



US00D408496S

United States Patent [19]

Wang

[11] Patent Number: Des. 408,496

[45] Date of Patent: **Apr. 20, 1999

[54] WATER SPRAY GUN

[75] Inventor: King-Yuan Wang, Changhua Hsien, Taiwan

[73] Assignee: Yuan Mei Corp., Changhua Hsien, Taiwan

[**] Term: 14 Years

[21] Appl. No.: 29/088,574

[22] Filed: May 27, 1998

[51] LOC (6) Cl. 23-01

[52] U.S. Cl. D23/226

[58] Field of Search D23/213, 223, D23/226, 229, 230; 239/525-528, 394

[56] References Cited

U.S. PATENT DOCUMENTS

D. 340,762	10/1993	Wang	D23/226
D. 356,144	3/1995	Wang	D23/223
D. 357,973	5/1995	McCain	D23/226

D. 359,101	6/1995	Kuo	D23/223
D. 390,635	2/1998	Guo	D23/226
D. 392,719	3/1998	Guo	D23/223
5,348,228	9/1994	Wang	239/394

Primary Examiner—Alan P. Douglas
Assistant Examiner—Robin V. Taylor
Attorney, Agent, or Firm—Bacon & Thomas, PLLC

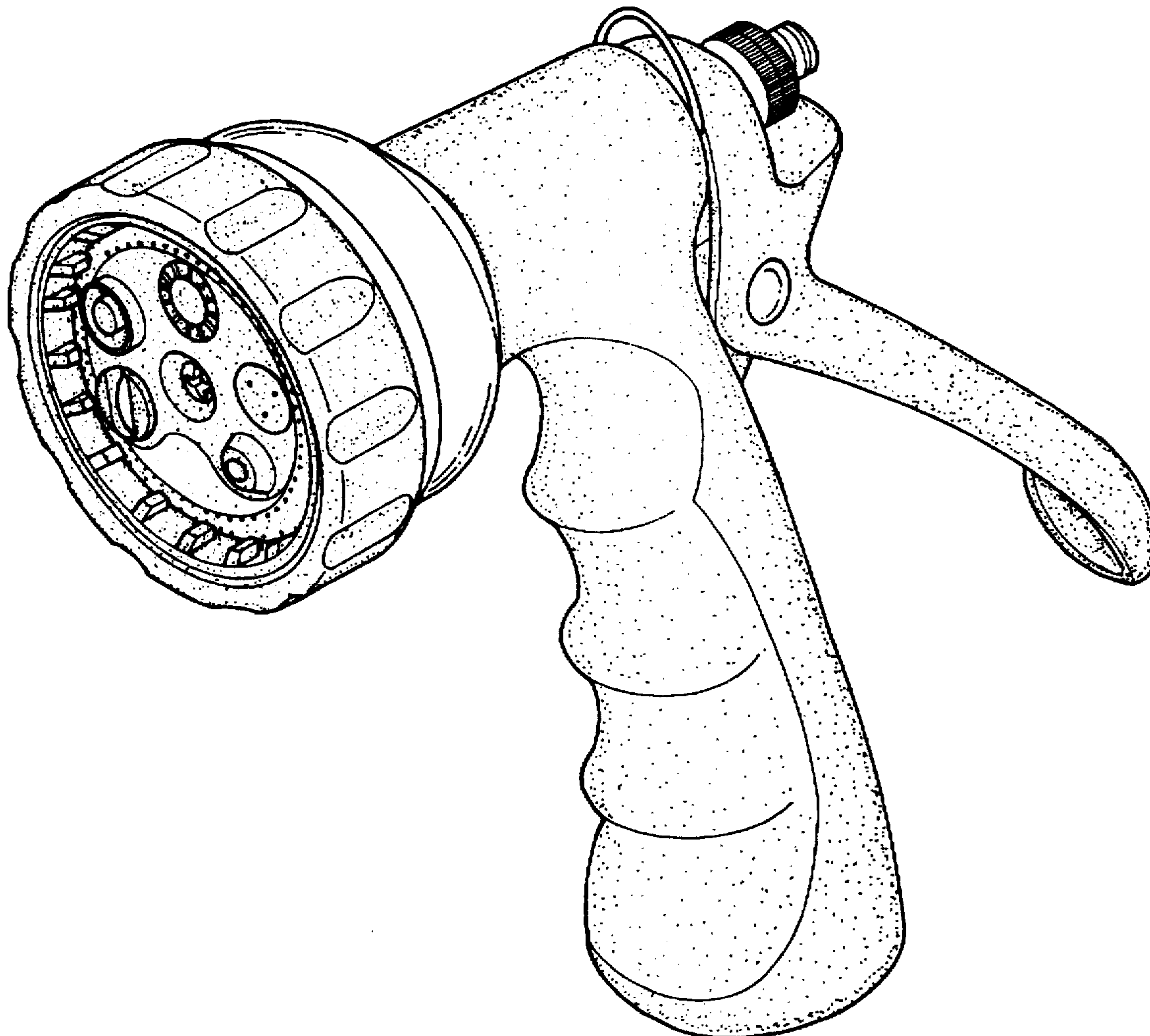
[57] CLAIM

The ornamental design for water spray gun, as shown and described.

DESCRIPTION

FIG. 1 is a perspective view of water spray gun showing my new design.
FIG. 2 is a front view thereof;
FIG. 3 is a rear view thereof;
FIG. 4 is a left side view thereof;
FIG. 5 is a right side view thereof;
FIG. 6 is top view thereof; and,
FIG. 7 is a bottom view thereof.

1 Claim, 5 Drawing Sheets



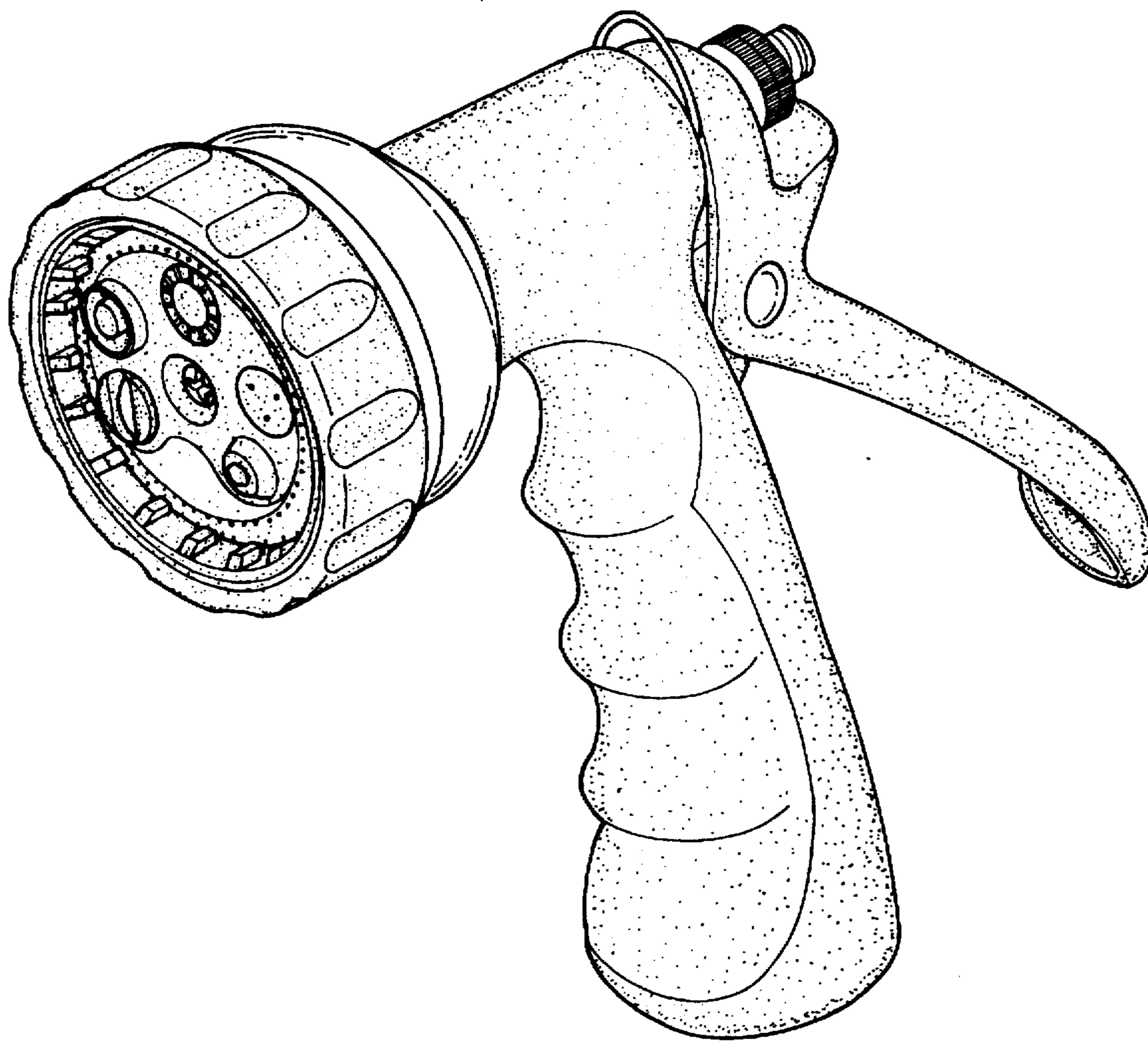


FIG. 1

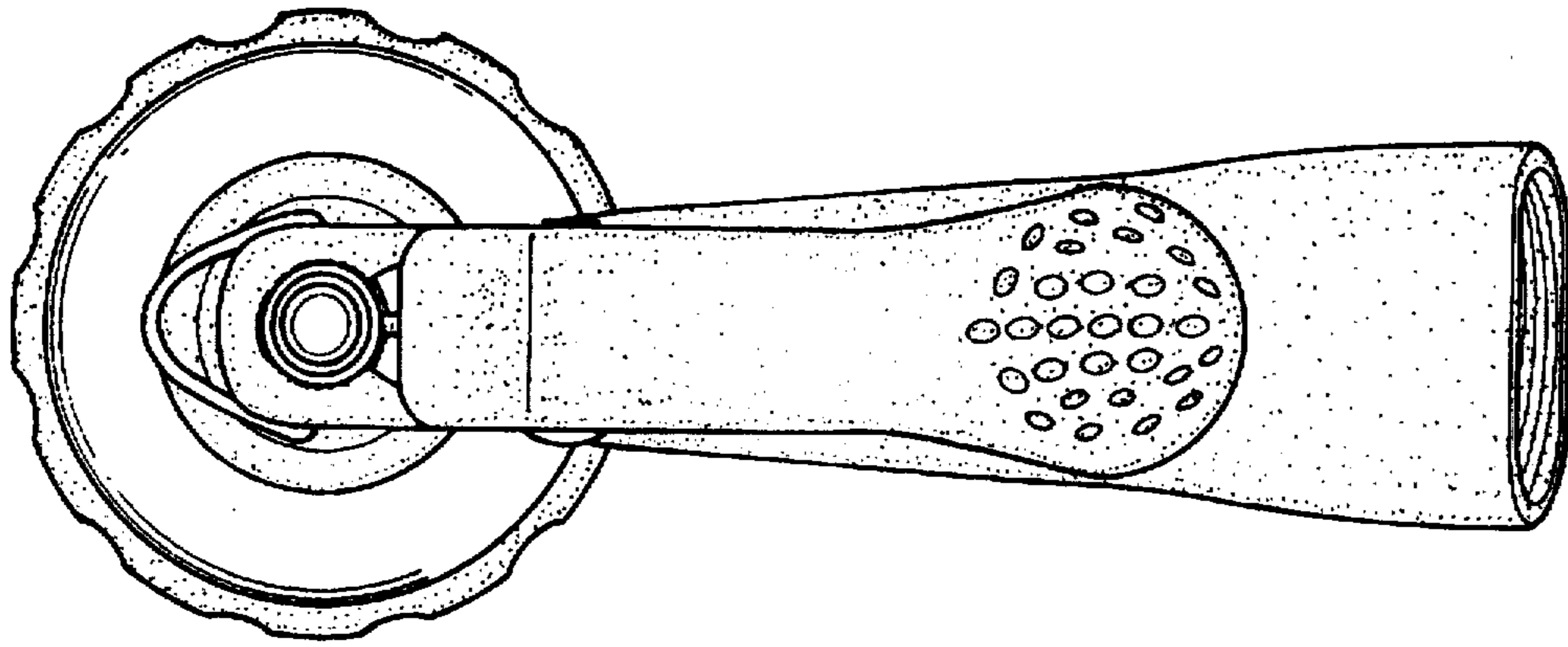


FIG. 3

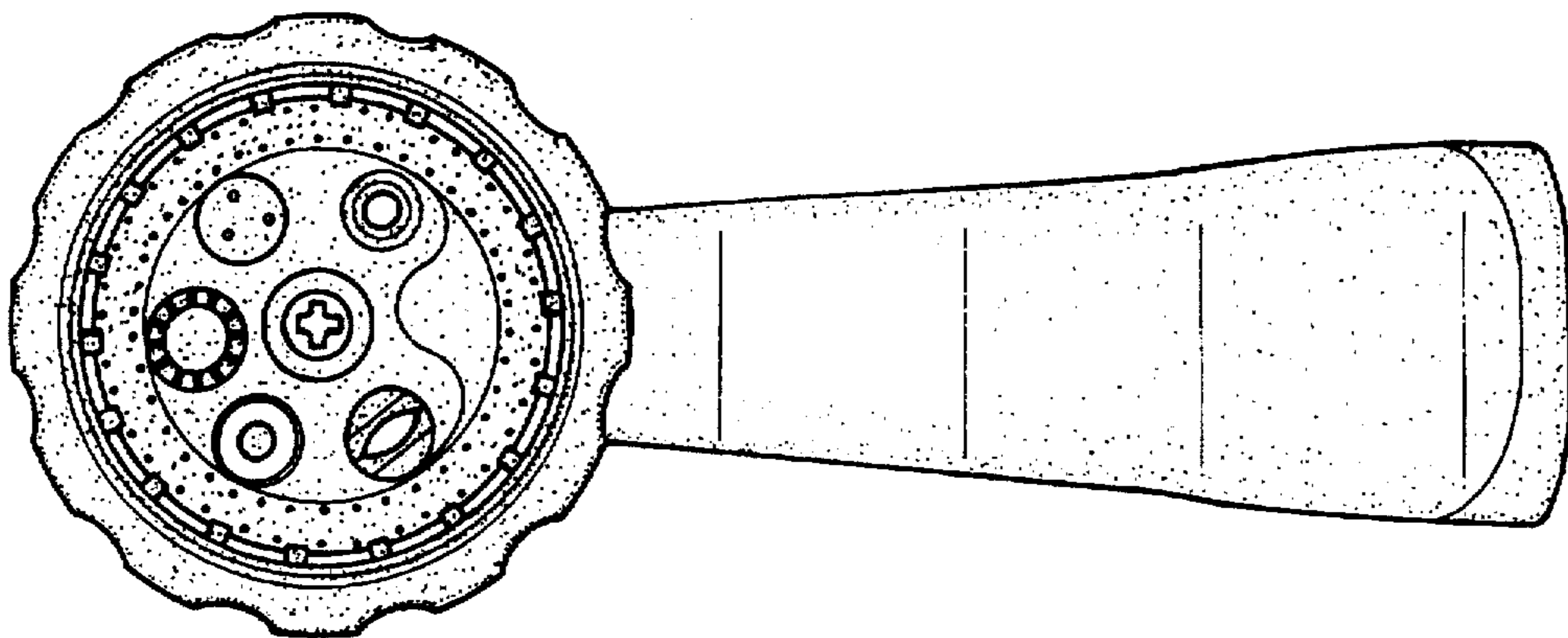


FIG. 2

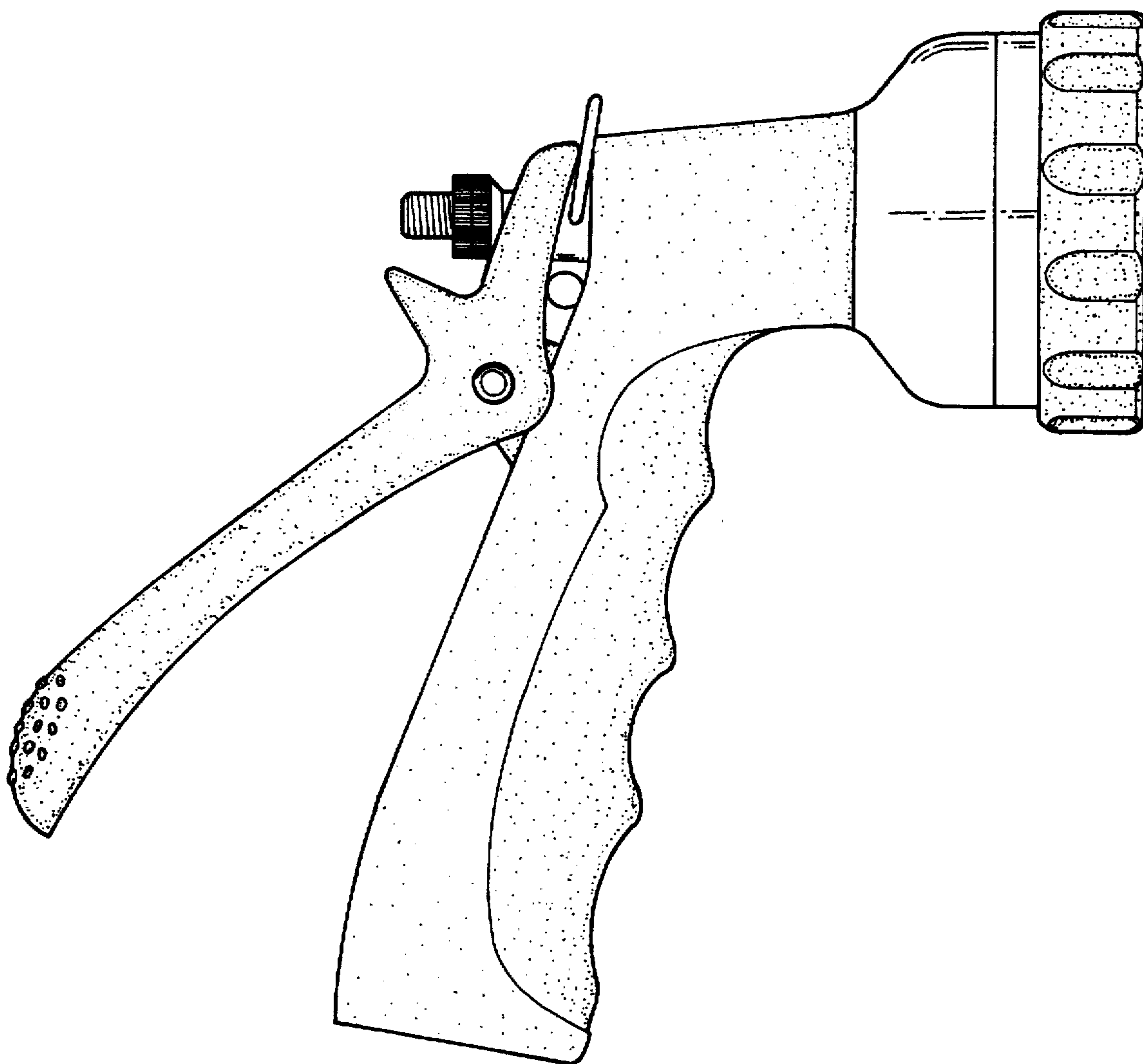


FIG. 4

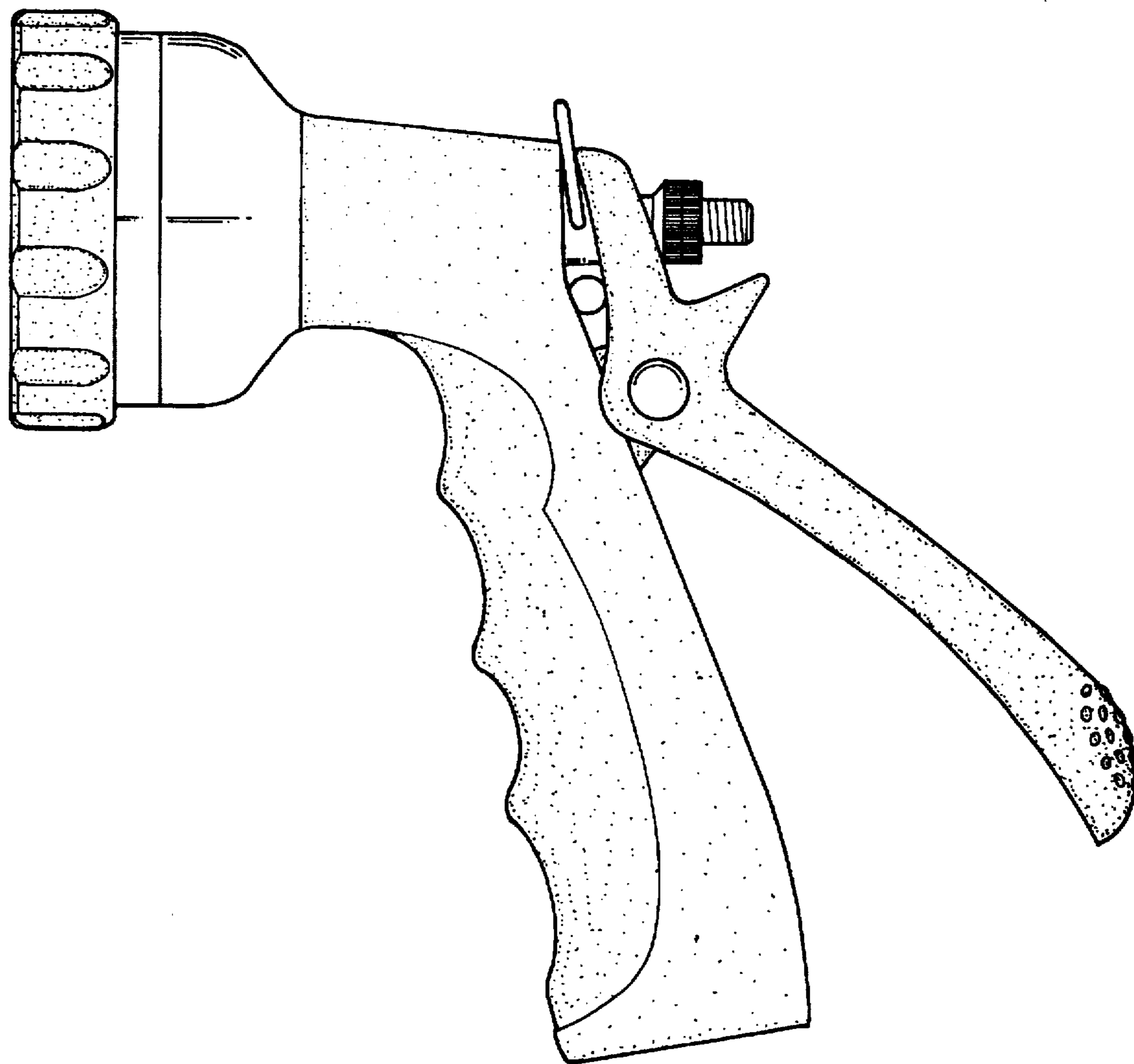


FIG. 5

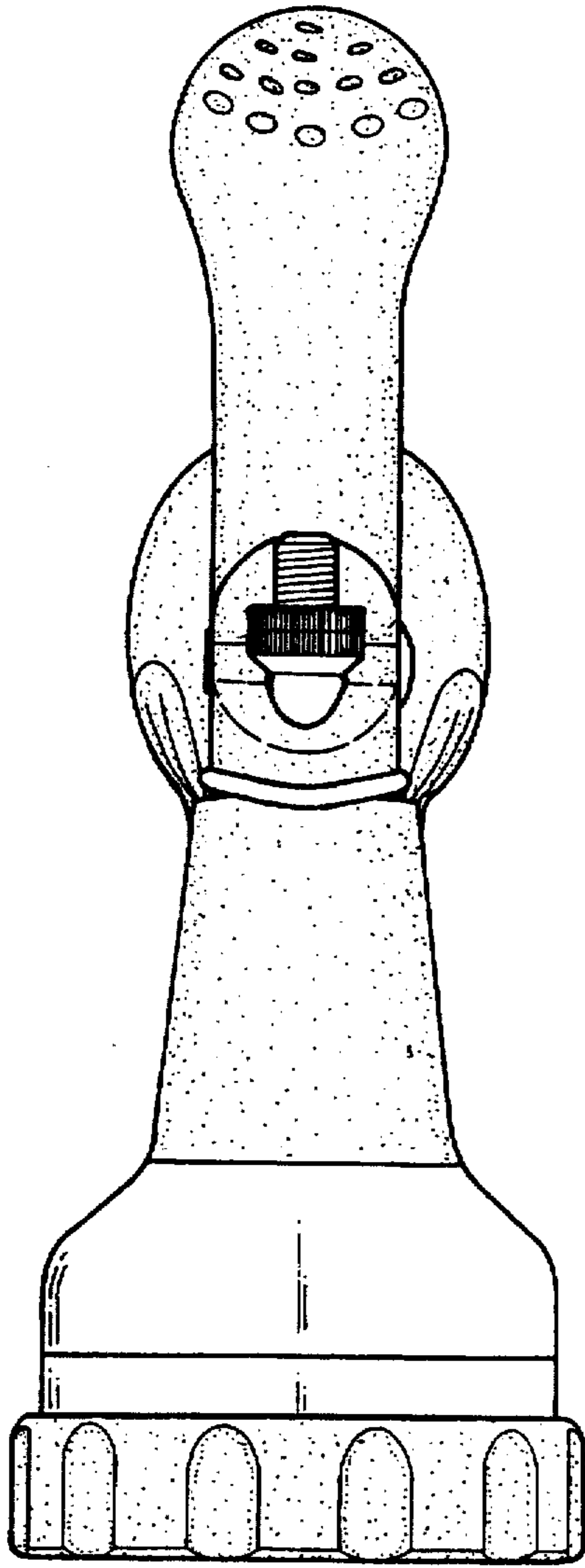


FIG. 6

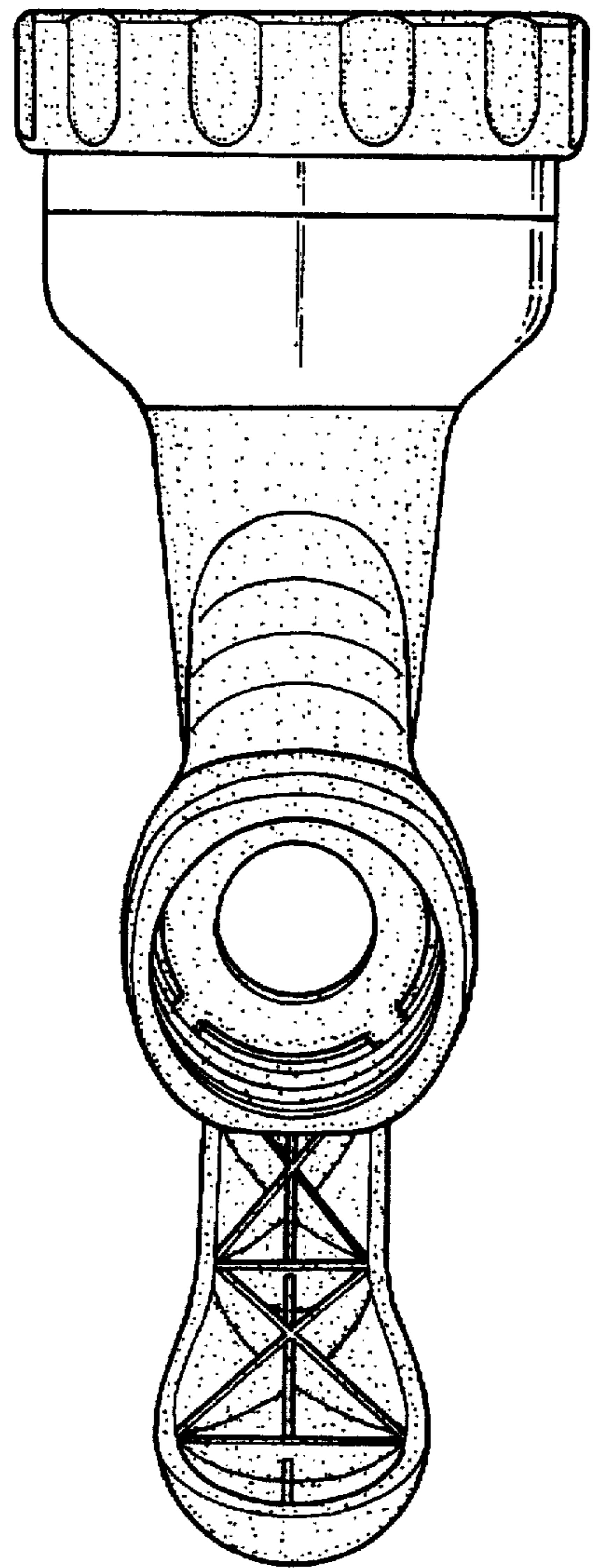


FIG. 7